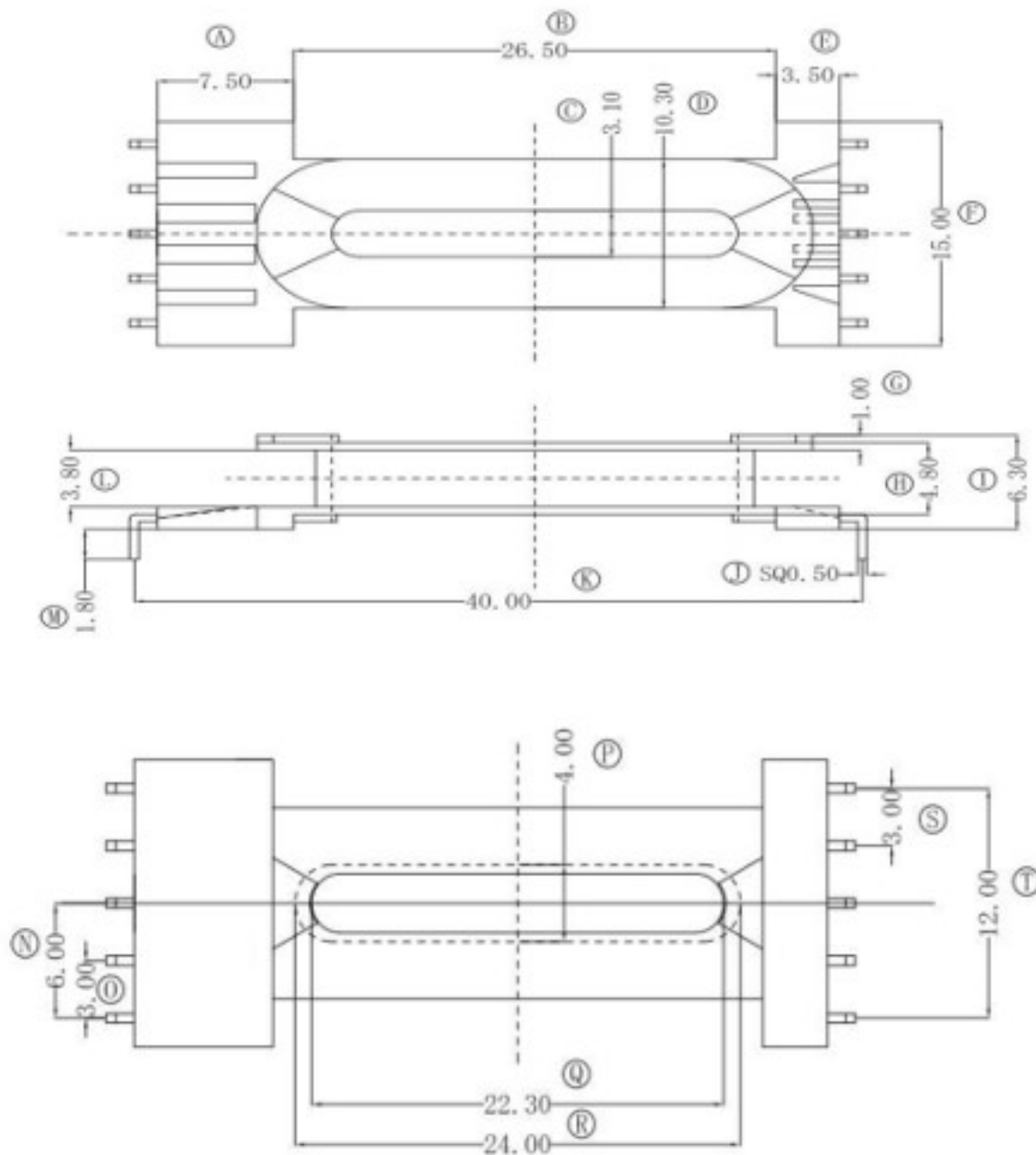


# Self Electronic

خیابان جمهوری، بعد از پل حافظ  
ساختمان عباسیان، طبقه همکف، پلاک ۷  
تلفن: ۶۶۷۱۶۸۰۶ - ۶۶۷۴۵۴۷۳  
فکس: ۶۶۷۴۲۳۶۸

(TYPE)

006040261101001



### Self Electronic

MODEL

EDR26/09

5+5

MATERIAL

PHENOLIC

TEL

021-66745473  
021-66716806

TOLERANCE

SCALE

DRAW BY

FAX

021-66742368

0 &lt; L ≤ 4 ±0.1

4 &lt; L ≤ 16 ±0.2

16 &lt; L ≤ 63 ±0.3

Pin pitch ±0.2

4/1

CHECK BY

WEBSITE

selfelectronic.com

UNIT

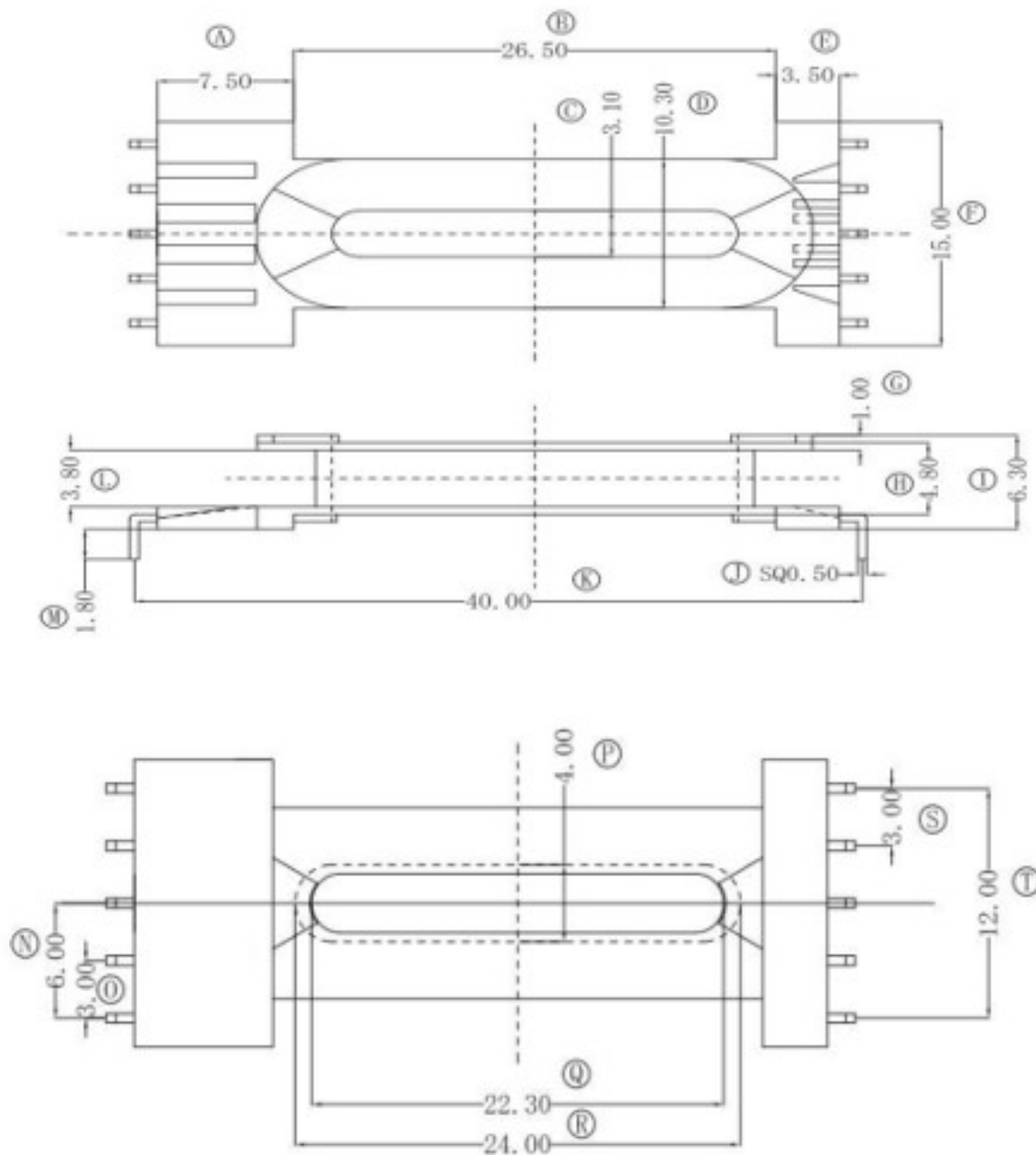
MM

DATE

2014.10.18

(TYPE)

006040261101001



### Self Electronic

MODEL

EDR26/09

5+5

MATERIAL

PHENOLIC

TEL

021-66745473  
021-66716806

TOLERANCE

SCALE

DRAW BY

FAX

021-66742368

0 &lt; L ≤ 4 ±0.1

4 &lt; L ≤ 16 ±0.2

16 &lt; L ≤ 63 ±0.3

Pin pitch ±0.2

4/1

CHECK BY

WEBSITE

selfelectronic.com

UNIT

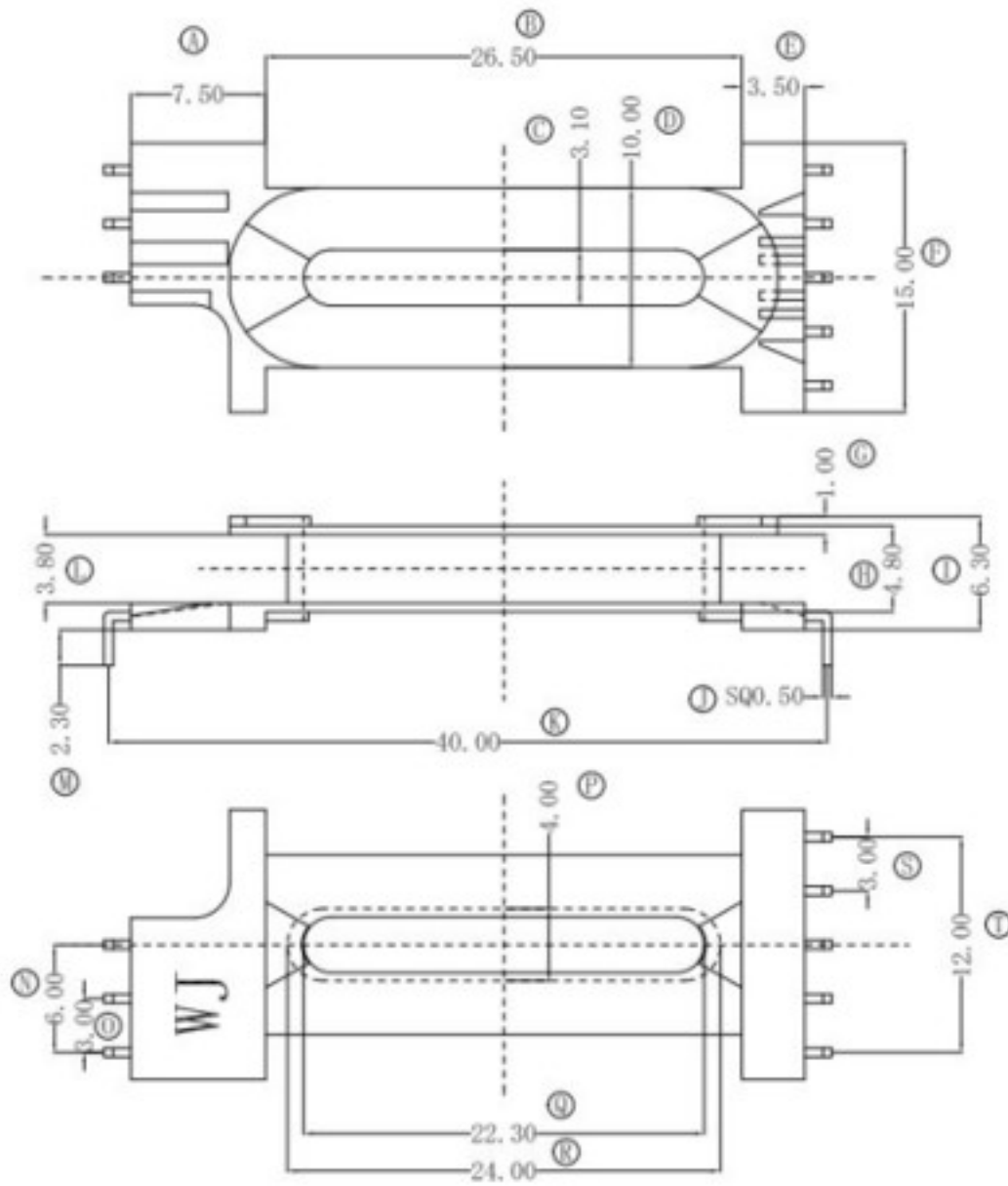
MM

DATE

2014.10.18

(TYPE)

006040261081101



**Self  
Electronic**

MODEL

EDR26/09

5+3

MATERIAL

PHENOLIC

TEL

021-66745473  
021-66716806

TOLERANCE

SCALE

DRAW BY

FAX

021-66742368

0 < L ≤ 4 ±0.1

4 < L ≤ 16 ±0.2

16 < L ≤ 63 ±0.3

Pin pitch ±0.2

4/1

CHECK BY

WEBSITE

selfelectronic.com

UNIT

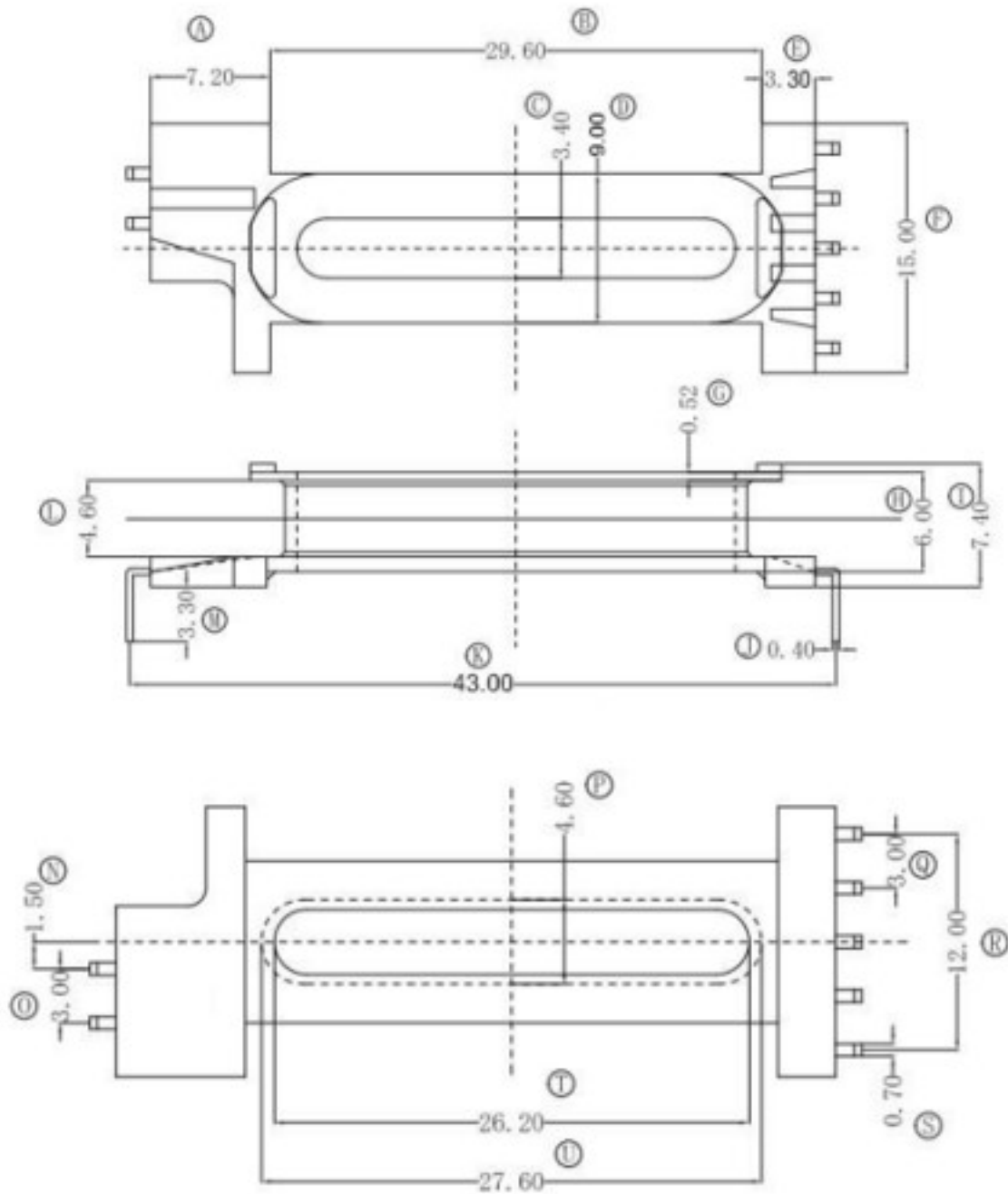
MM

DATE

2015.11.17

YPE)

006040281071101



### Self Electronic

MODEL

EDR28/10

5+2

MATERIAL

PHENOLIC

TEL

021-66745473  
021-66716806

TOLERANCE

SCALE

DRAW BY

FAX

021-66742368

 $0 < L \leq 4 \quad \pm 0.1$   
 $4 < L \leq 16 \quad \pm 0.2$   
 $16 < L \leq 63 \quad \pm 0.3$   
 Pin pitch  $\pm 0.2$ 

4/1

CHECK BY

WEBSITE

selfelectronic.com

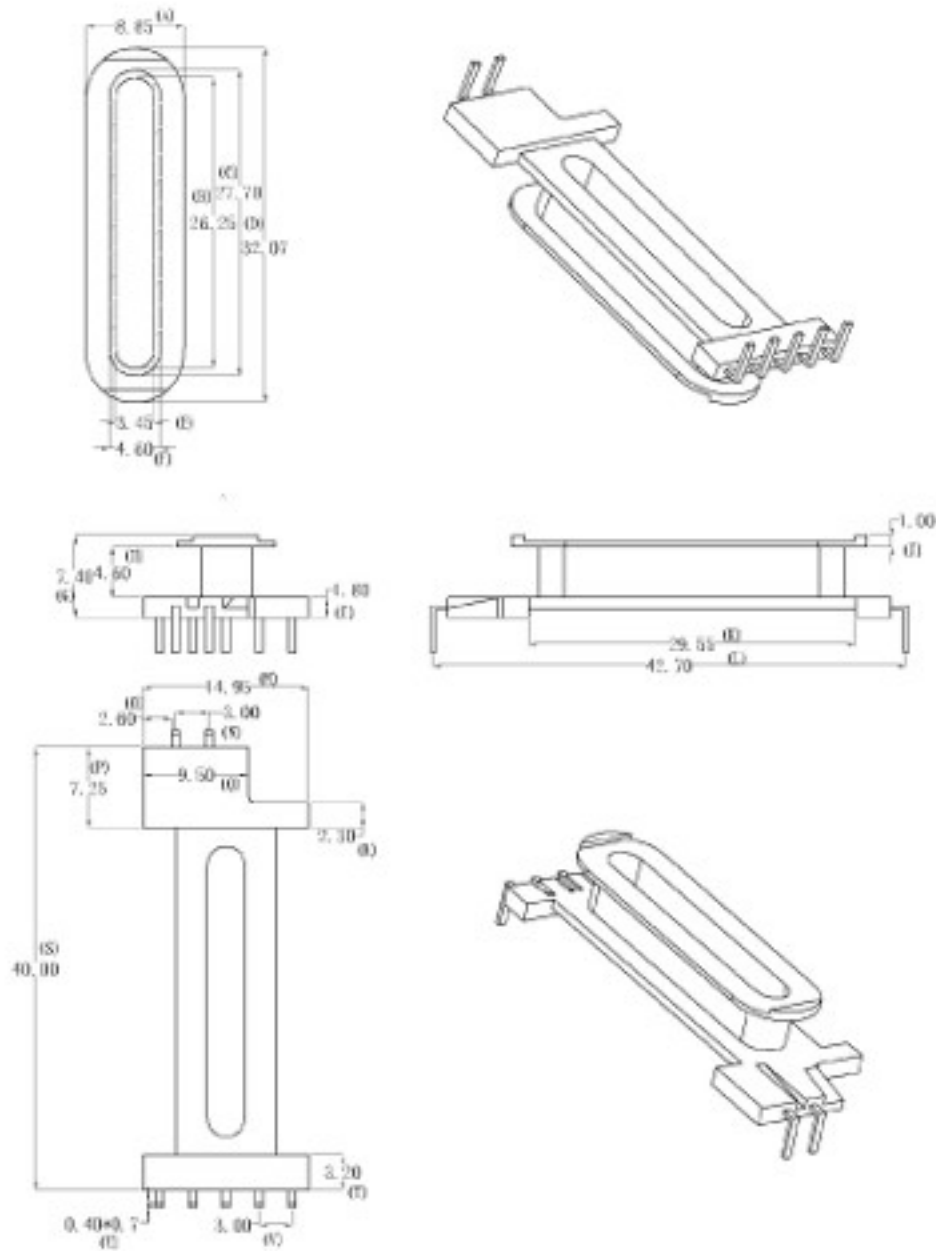
UNIT

MM

DATE

2014.10.18

型 (YPE) 029040281071101



**Self  
Electronic**

MODEL EDR28/10 5+2

MATERIAL PHENOLIC

TEL 021-66745473  
021-66716806

TOLERANCE

SCALE

DRAW BY

FAX 021-66742368

0 < L ≤ 4 ±0.1  
4 < L ≤ 16 ±0.2  
16 < L ≤ 63 ±0.3

4/1

CHECK BY

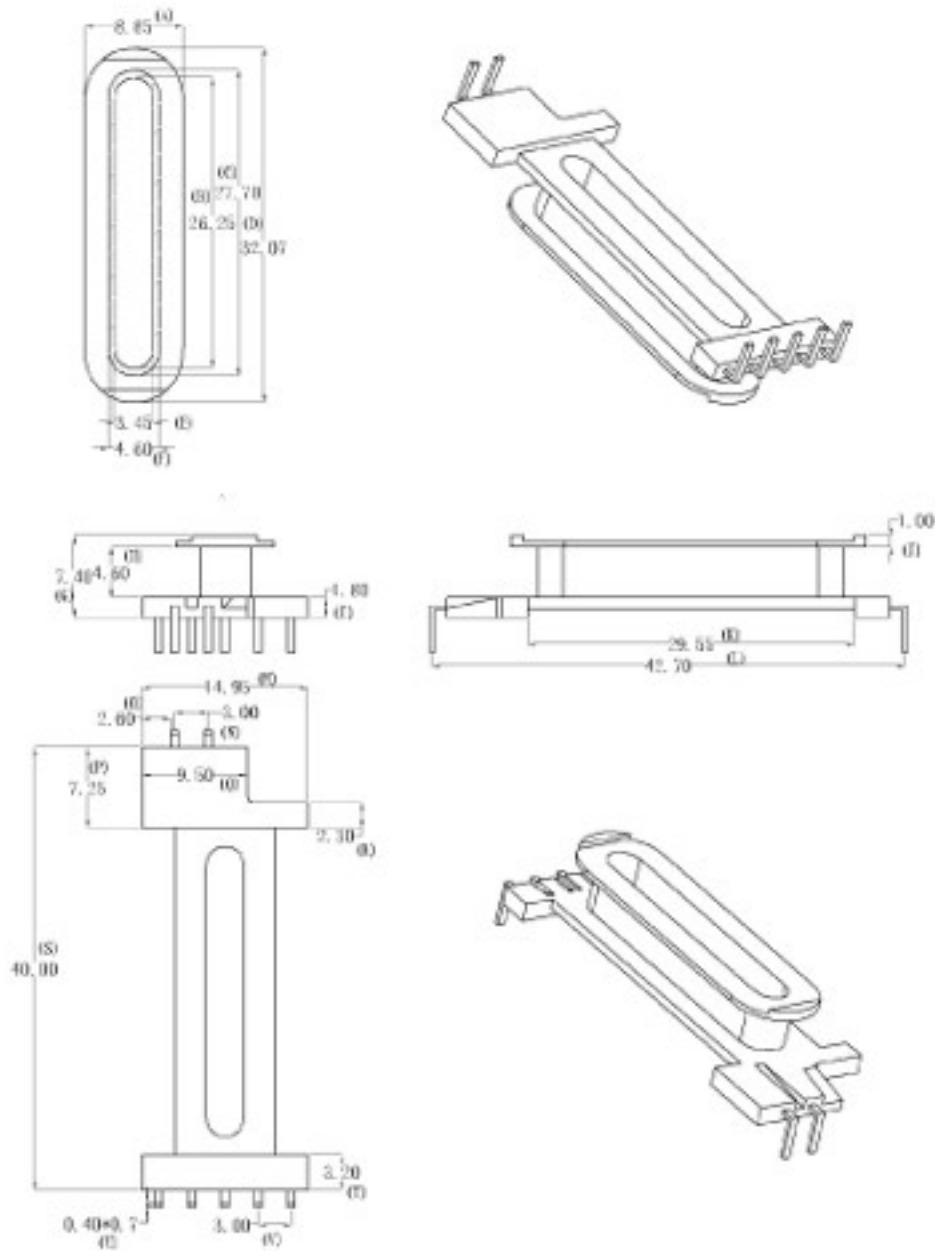
WEBSITE selfelectronic.com

Pin pitch ±0.2

UNIT MM DATE 2014.10.18

(YPE)

029040281071101



**Self  
Electronic**

MODEL EDR28/10 5+2

MATERIAL PHENOLIC

TEL 021-66745473  
021-66716806

TOLERANCE

SCALE DRAW BY

FAX 021-66742368

0 < L ≤ 4 ±0.1  
4 < L ≤ 16 ±0.2  
16 < L ≤ 63 ±0.3  
Pin pitch ±0.2

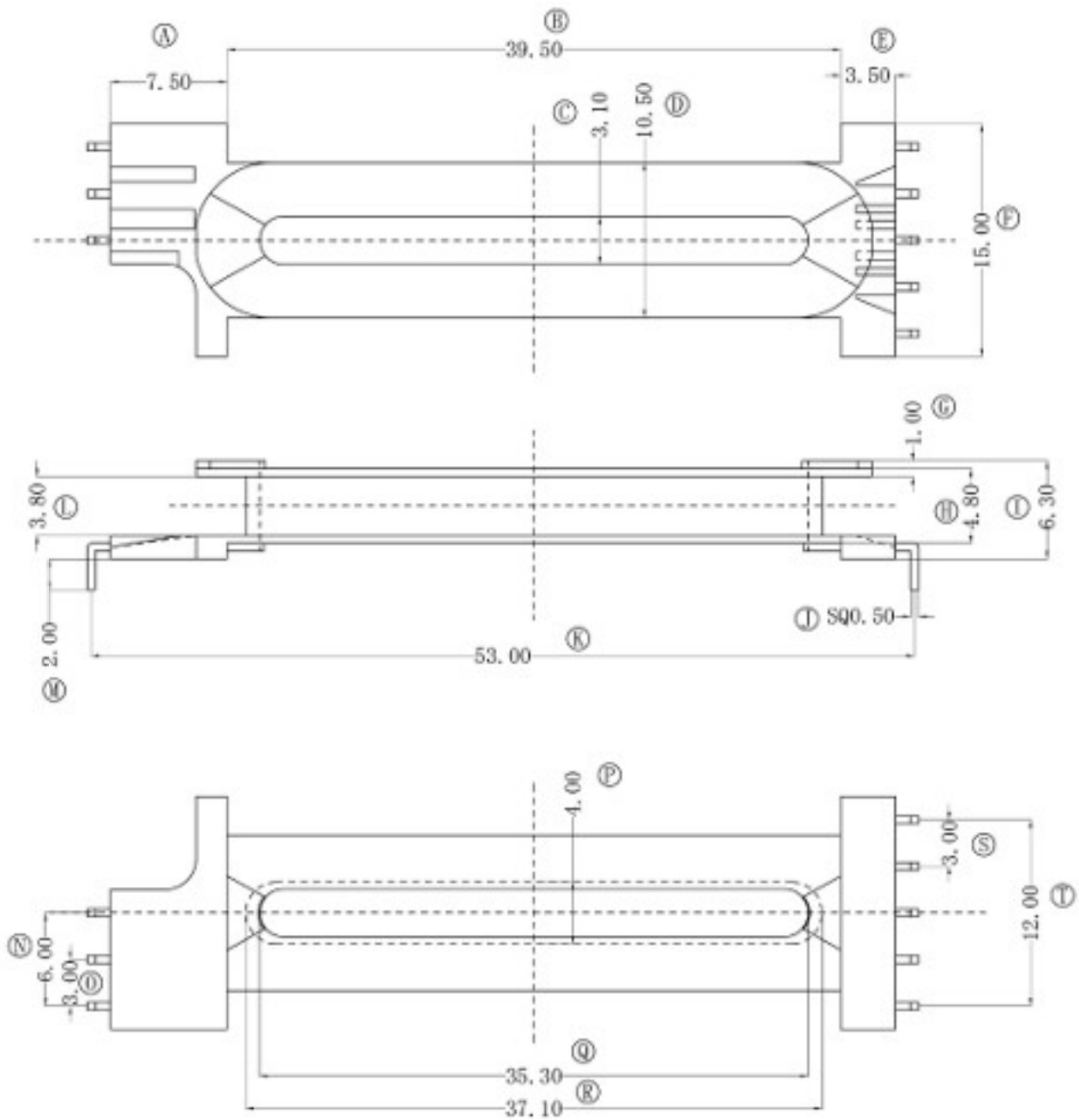
4/1 CHECK BY

WEBSITE selfelectronic.com

UNIT MM DATE 2014.10.18

型 PE)

006040391081101



**Self  
Electronic**



021-66745473  
021-66716806 | Electronics Co.,LTD

MODEL EDR39/09 立式 5+3

MATERIAL PHEN

TEL 021-66742368

TOLERANCE

SCALE

DRAW BY

WEBSITE selfelectronic.com

0 < L ≤ 4 ±0.1  
4 < L ≤ 16 ±0.2

4/1

CHECK BY 田振奎

E-MAIL ywb@gztydz.com

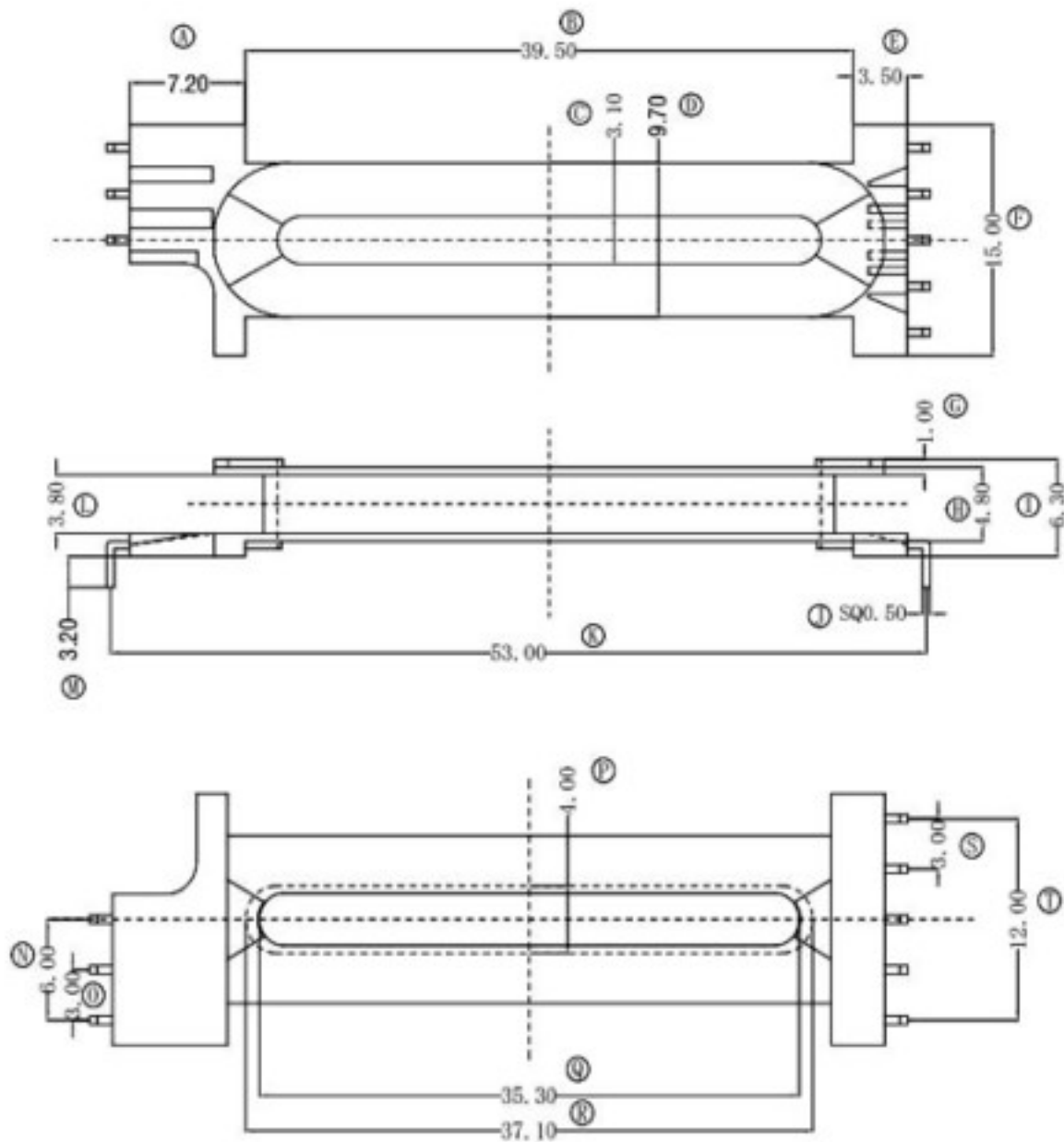
16 < L ≤ 63 ±0.3  
Pin pitch ±0.2

UNIT MM

DATE

2014.10.18





### Self Electronic

MODEL EDR39/09 5+3

MATERIAL PHENOLIC

TEL 021-66745473  
021-66716806

TOLERANCE

SCALE

DRAW BY

FAX 021-66742368

0 < L ≤ 4 ±0.1  
4 < L ≤ 16 ±0.2  
16 < L ≤ 63 ±0.3

4/1

CHECK BY

WEBSITE selfelectronic.com

Pin pitch ±0.2

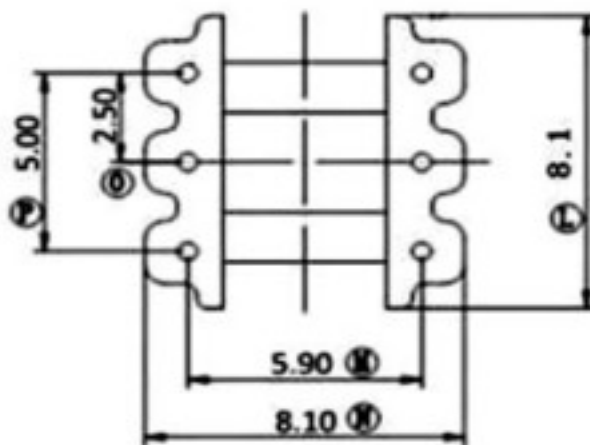
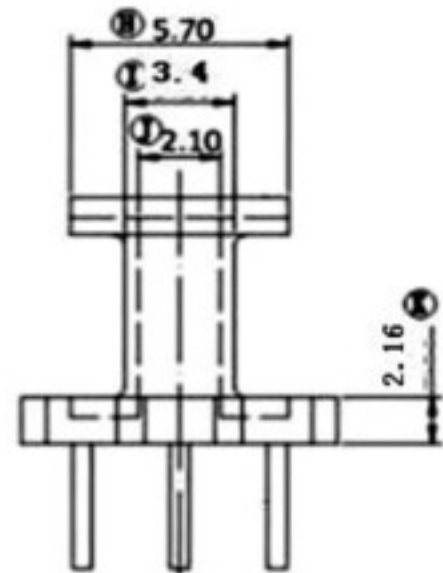
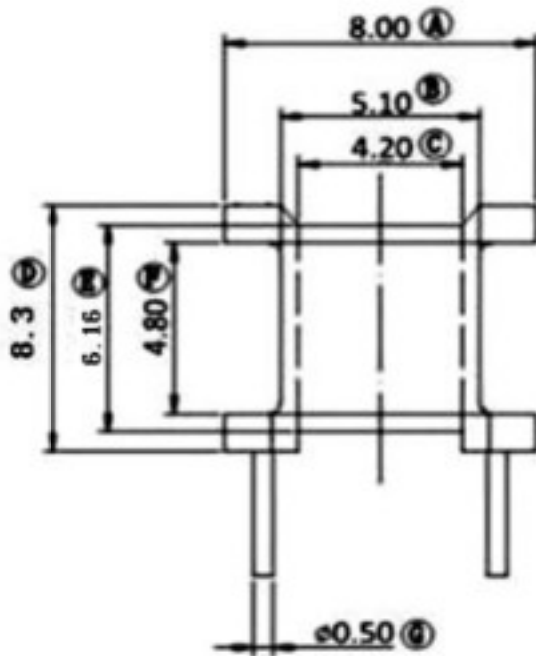
UNIT

MM

DATE

2014.10.18

(TYPE) 080050011061001



**Self  
Electronic**

MODEL E8.3/4/4  $\frac{1}{4}$  +3

MATERIAL PHENOLIC

TEL 021-66745473  
021-66716806

TOLERANCE

SCALE DRAW BY

FAX 021-66742368

0 < L ≤ 4 ±0.1  
4 < L ≤ 16 ±0.2

4/1

CHECK BY

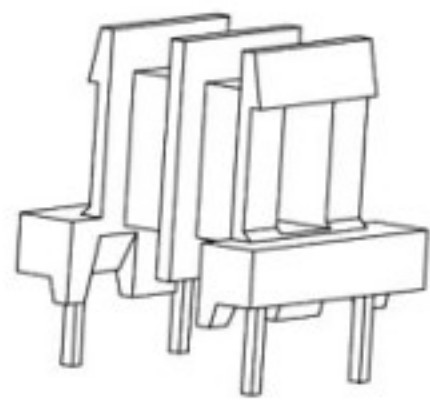
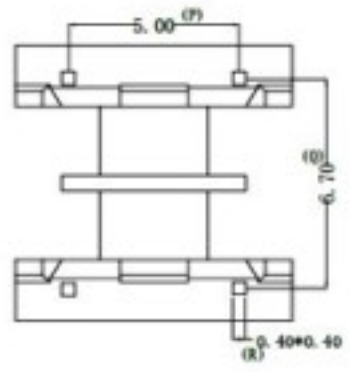
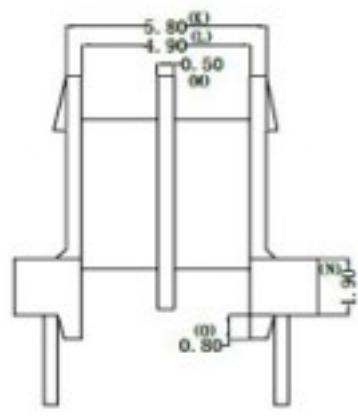
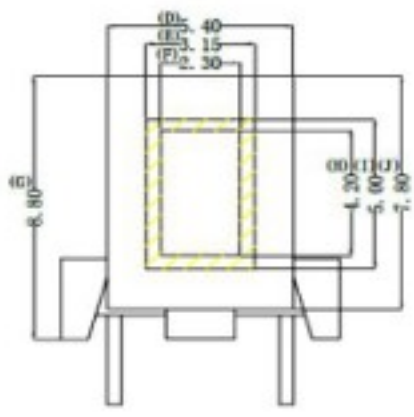
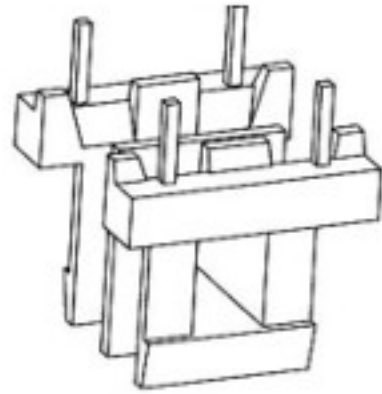
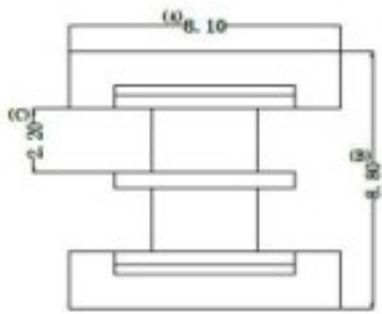
WEBSITE selfelectronic.com

16 < L ≤ 63 ±0.3  
Pin pitch ±0.2

UNIT MM DATE 2014.10.18

(TYPE)

029050012042101



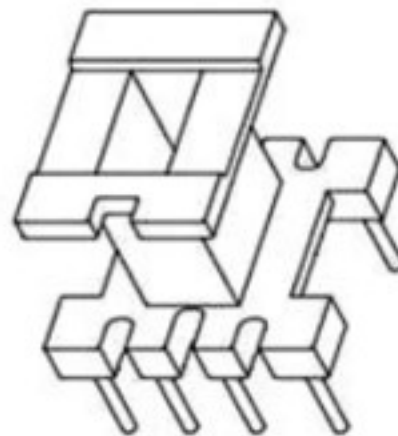
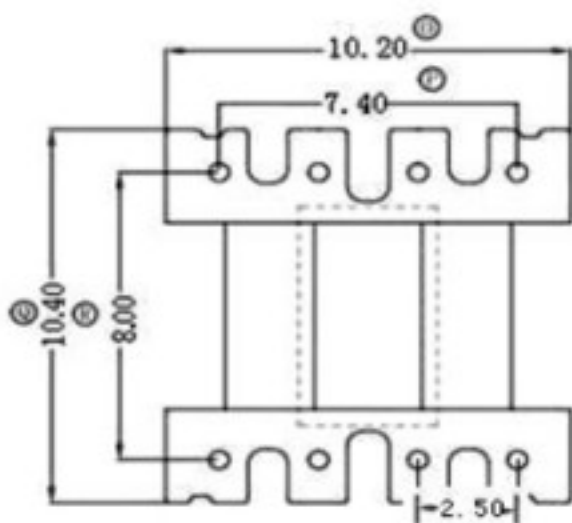
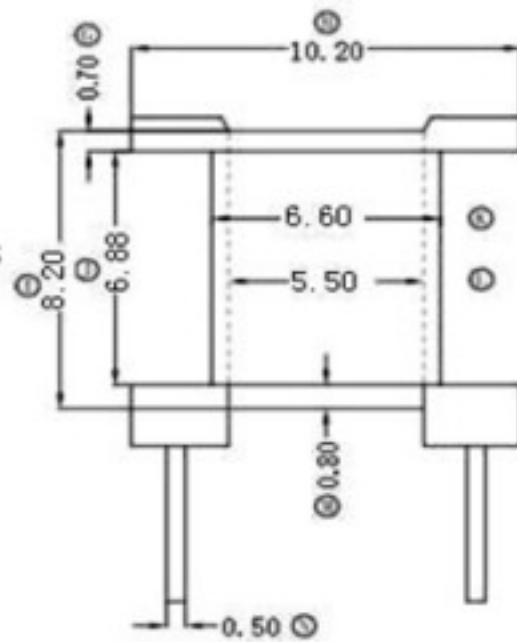
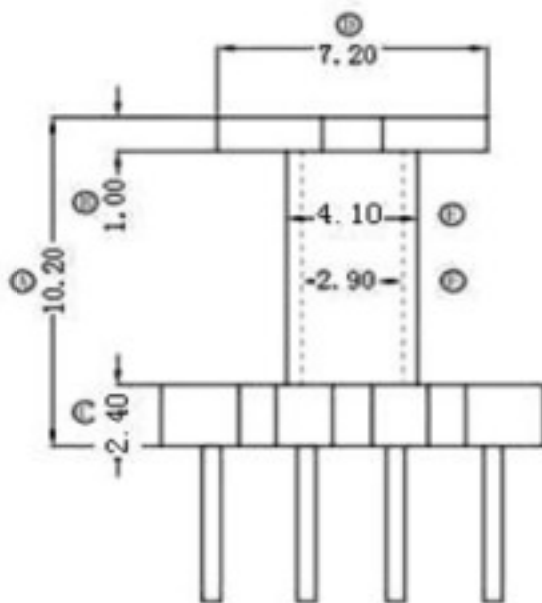
**Self Electronic**

MODEL	E8.3/4/4 . . . 2+2
MATERIAL	PHENOLIC
SCALE	DRAW BY
4/1	CHECK BY
UNIT	MM
DATE	2014.10.10

TEL	021-66745473 021-66716806	TOLERANCE
FAX	021-66742368	0 < L ≤ 4 ±0.1 4 < L ≤ 16 ±0.2 16 < L ≤ 63 ±0.3 Pin pitch ±0.2
WEBSITE	selfelectronic.com	

TYPE)

040050101081001



### Self Electronic

MODEL

E10/5.5/5

4+4

MATERIAL

PHENOLIC

TEL

021-66745473  
021-66716806

TOLERANCE

SCALE

DRAW BY

FAX

021-66742368

0 <math>L \le 4</math>  $\pm 0.1$   
4 <math>L \le 16</math>  $\pm 0.2$ 

4/1

CHECK BY

WEBSITE

selfelectronic.com

16 <math>L \le 63</math>  $\pm 0.3$   
Pin pitch  $\pm 0.2$ 

UNIT

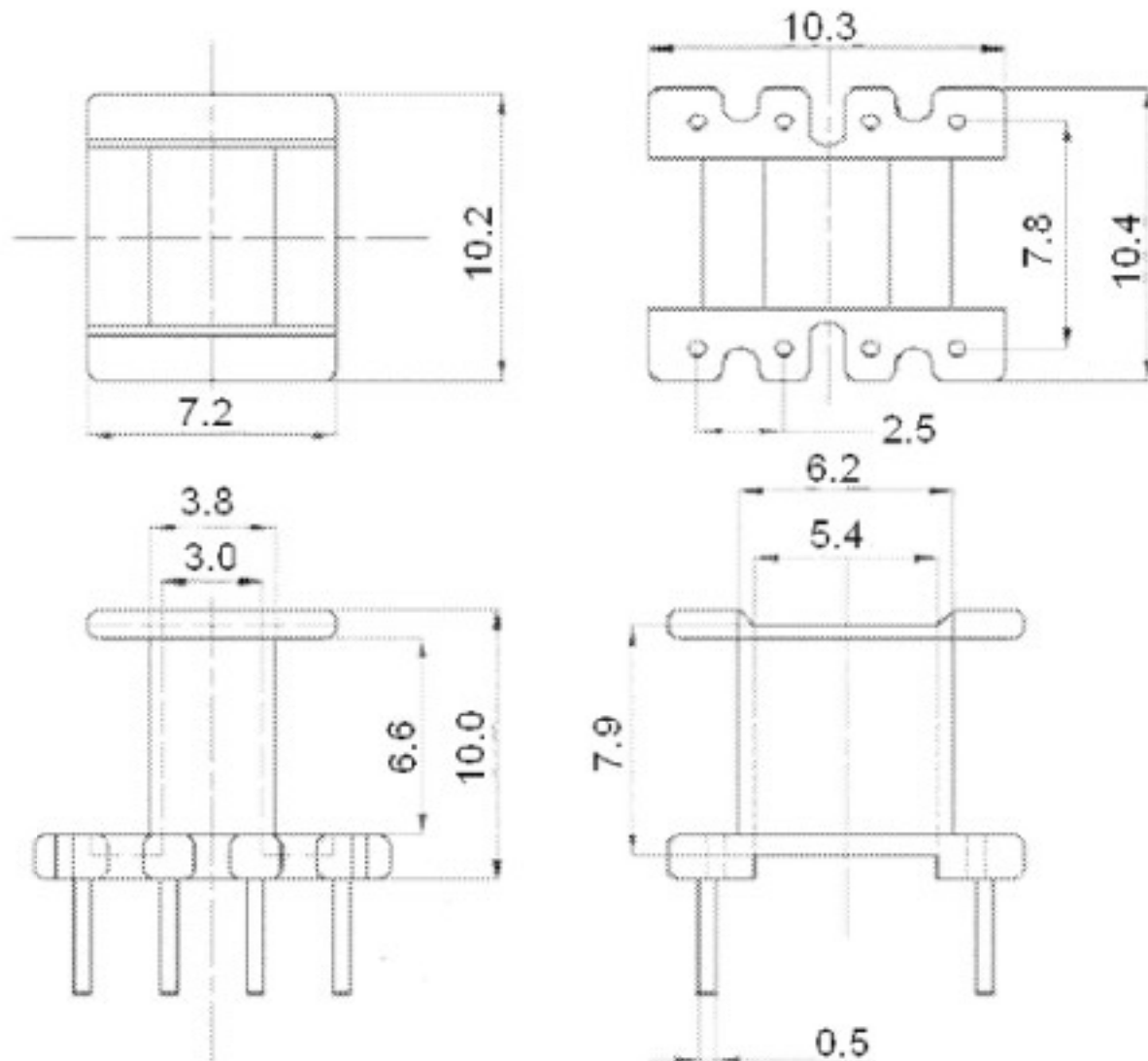
MM

DATE

2014.10.18

TYPE)

001050101081101



**Self  
Electronic**

MODEL

E10/5.5/5

4+4

MATERIAL

PHENOLIC

TEL

021-66745473  
021-66716806

TOLERANCE

SCALE

DRAW BY

FAX

021-66742368

0 &lt; L ≤ 4 ±0.1

4 &lt; L ≤ 16 ±0.2

16 &lt; L ≤ 63 ±0.3

Pin pitch ±0.2

4/1

CHECK BY

WEBSITE

selfelectronic.com

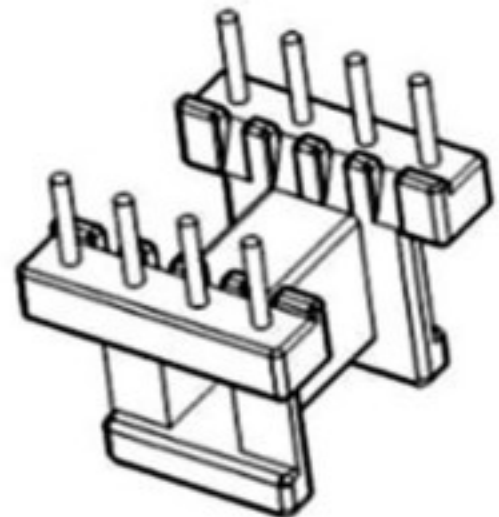
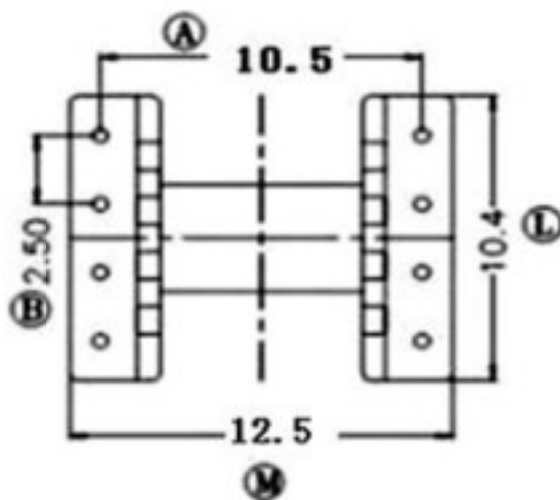
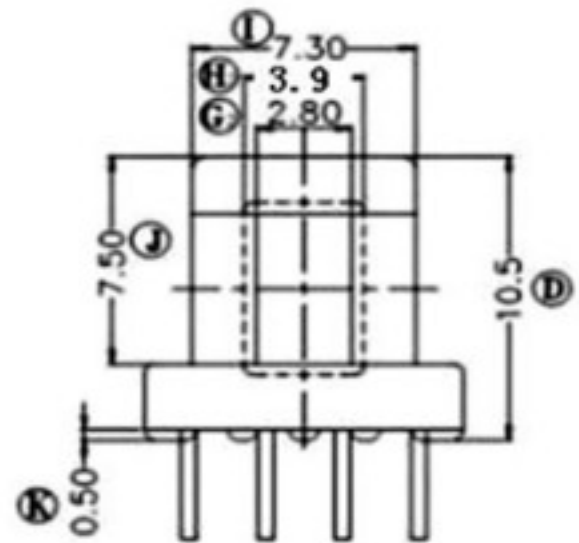
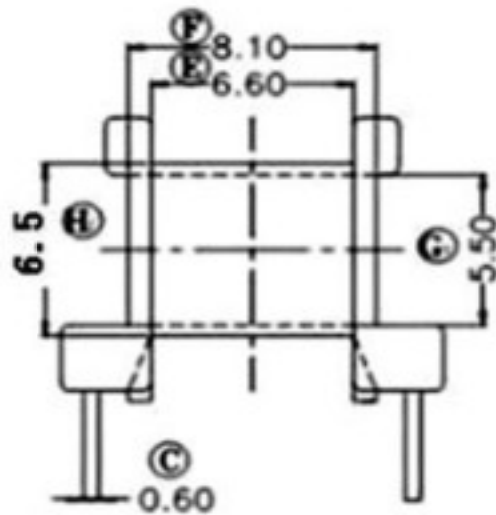
UNIT

MM

DATE

2014.10.18

(TYPE) 010050102081001



**Self  
Electronic**

MODEL E10/5.5/5 4+4

MATERIAL PHENOLIC

TEL 021-66745473  
021-66716806

TOLERANCE

SCALE DRAW BY

FAX 021-66742368

$0 < L \leq 4$   $\pm 0.1$   
 $4 < L \leq 16$   $\pm 0.2$

4/1 CHECK BY

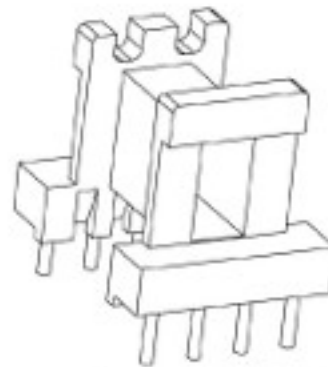
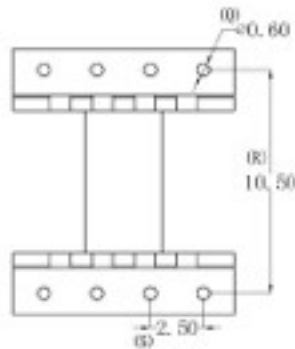
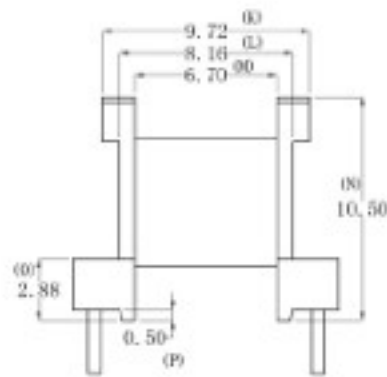
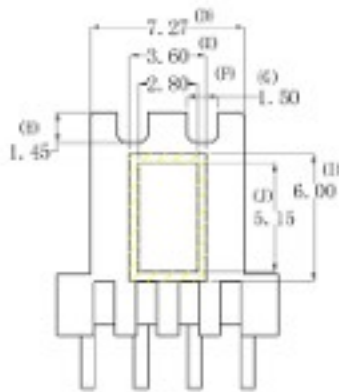
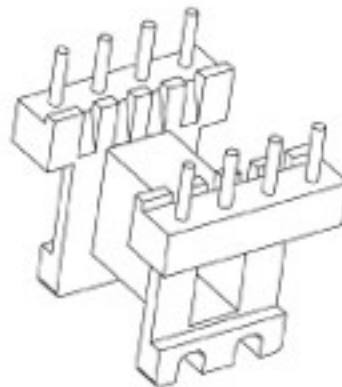
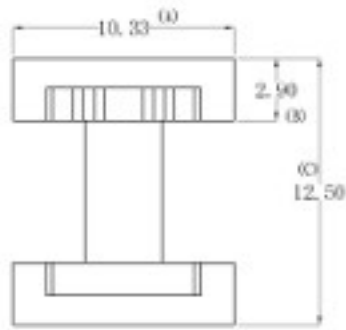
WEBSITE selfelectronic.com

$16 < L \leq 63$   $\pm 0.3$   
Pin pitch  $\pm 0.2$

UNIT MM DATE 2014.10.18

(TYPE)

029050102081101



**Self  
Electronic**

MODEL

E10 4+4

MATERIAL

PHENOLIC

TEL

021-66745473  
021-66716806

TOLERANCE

SCALE

DRAW BY

FAX

021-66742368

0 < L ≤ 4 ±0.1

4 < L ≤ 16 ±0.2

16 < L ≤ 63 ±0.3

Pin pitch ±0.2

4/1

CHECK BY

WEBSITE

selfelectronic.com

UNIT

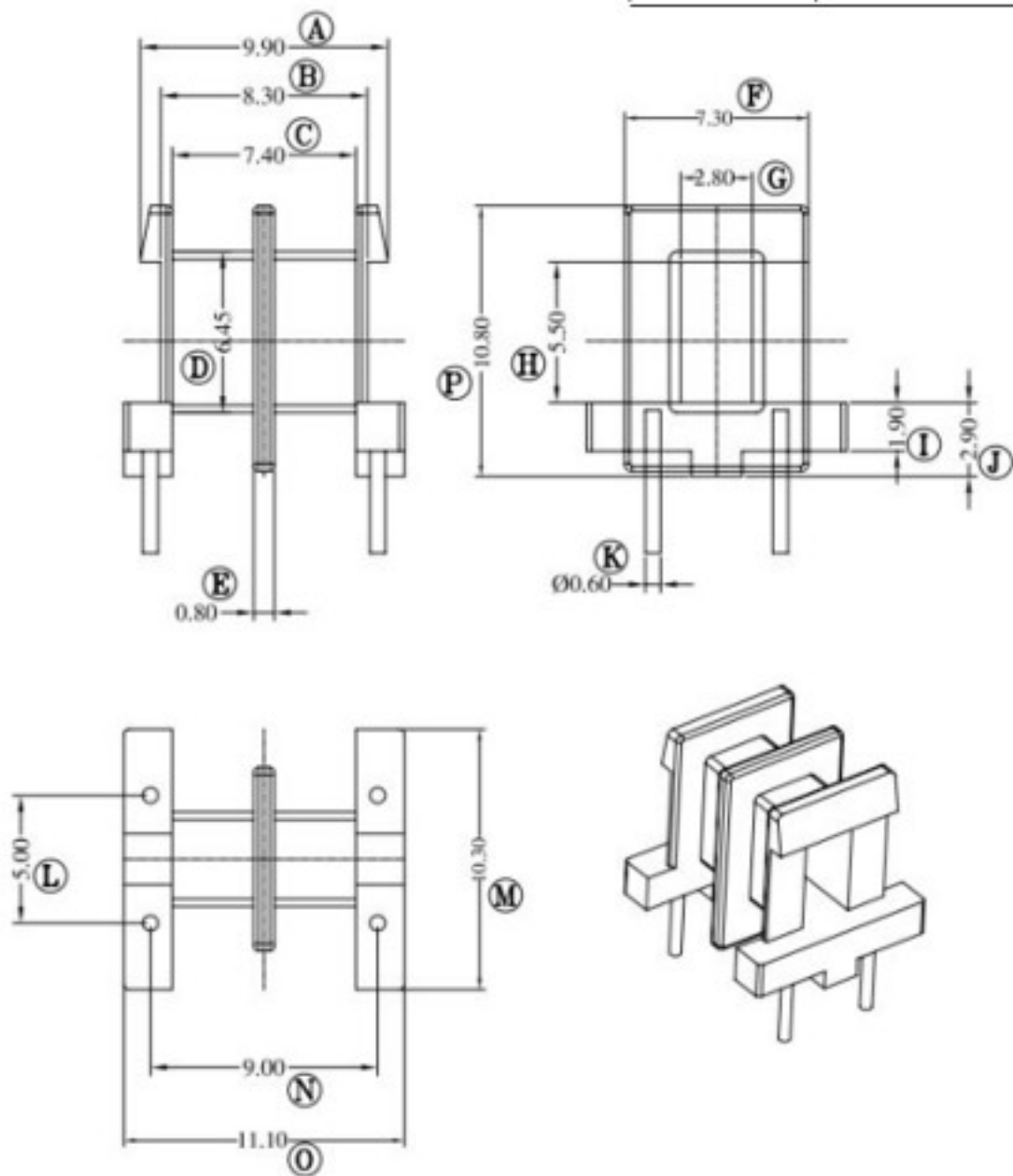
MM

DATE

2014.10.18

(TYPE)

009050102041001



**Self  
Electronic**

MODEL  
NAME

E10/5.5/5 2+2 U

MATERIAL

PHENOLIC

TEL

021-66745473  
021-66716806

TOLERANCE

SCALE

DRAW BY

FAX

021-66742368

0 < L ≤ 4 ±0.1

4 < L ≤ 16 ±0.2

16 < L ≤ 63 ±0.3

Pin pitch ±0.2

4/1

CHECK BY

WEBSITE

selfelectronic.com

UNIT

MM

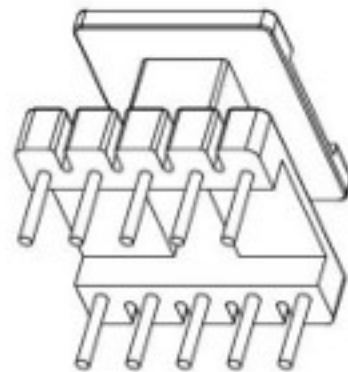
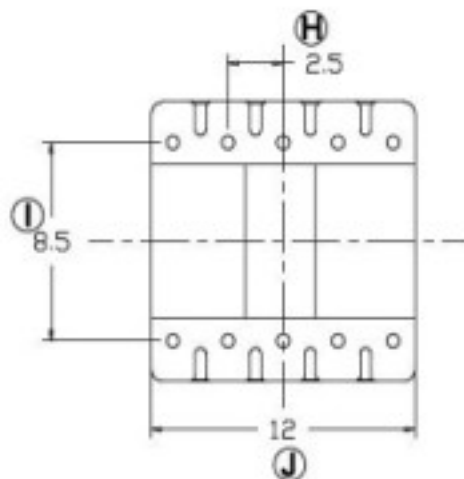
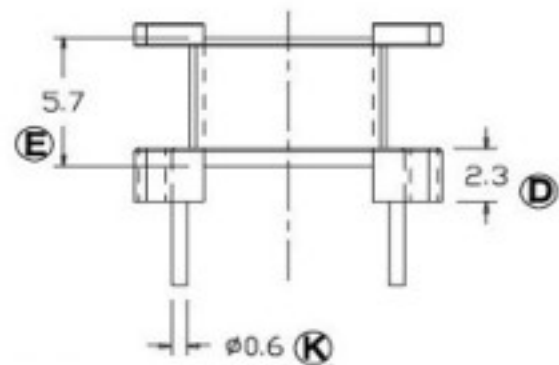
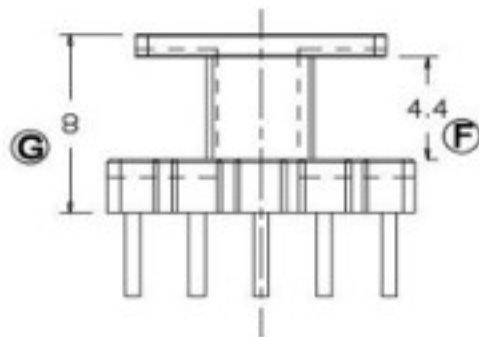
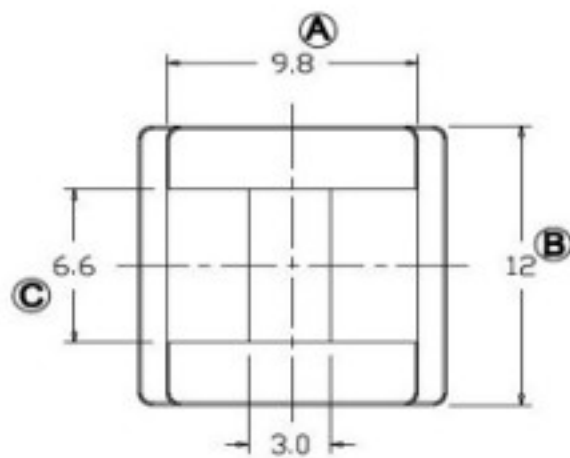
DATE

2015.11.16



(TYPE)

031051251101002



### Self Electronic

MODEL

E12.5

5+5

MATERIAL

PHENOLIC

TEL

021-66745473  
021-66716806

TOLERANCE

SCALE

DRAW BY

FAX

021-66742368

0 < L ≤ 4 ±0.1  
4 < L ≤ 16 ±0.2

4/1

CHECK BY

WEBSITE

selfelectronic.com

16 < L ≤ 63 ±0.3  
Pin pitch ±0.2

UNIT

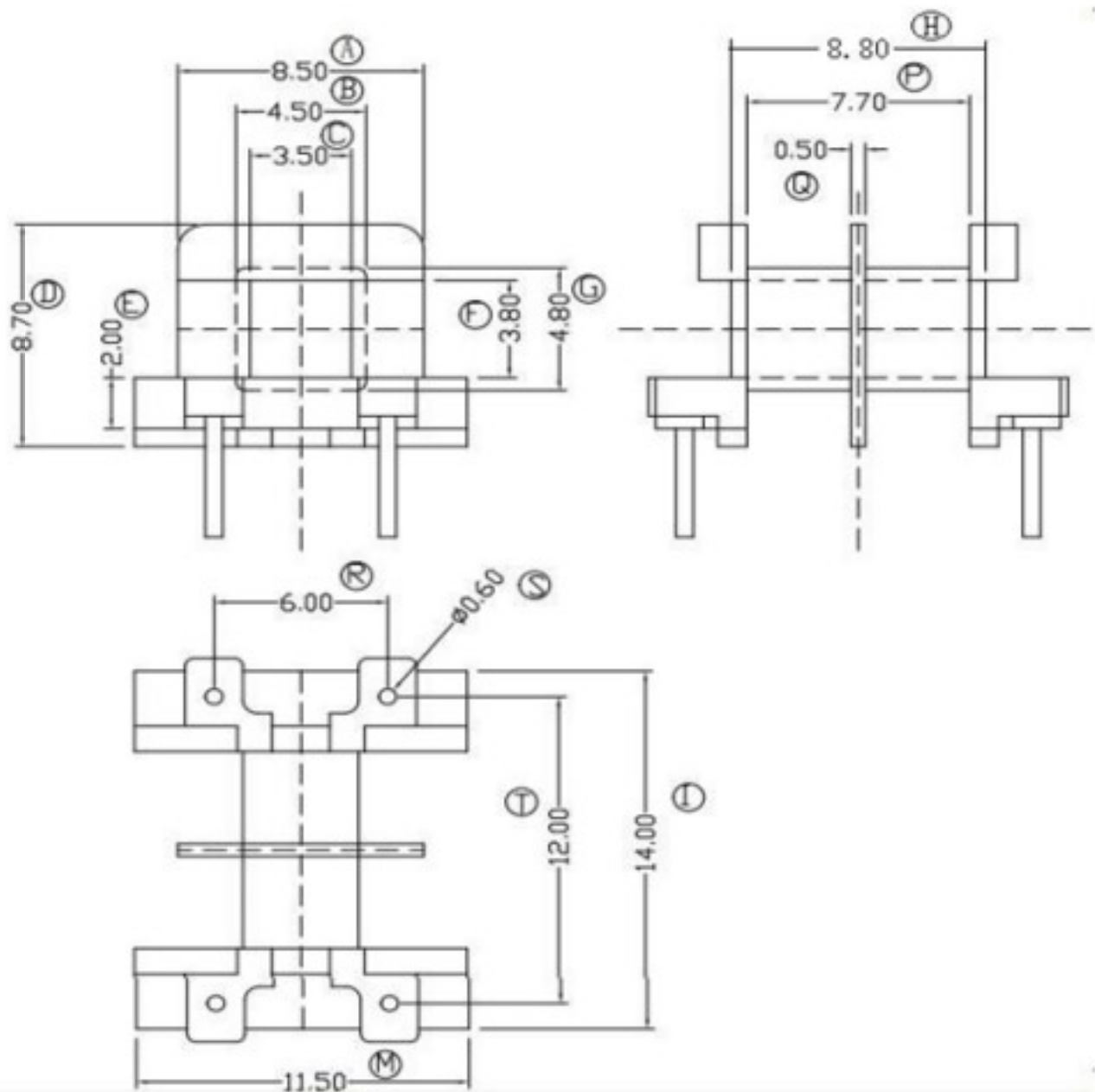
MM

DATE

2014.10.18

YPE)

006050062042101



### Self Electronic

MODEL

E12.7

2+2

MATERIAL

PHENOLIC

TEL

021-66745473  
021-66716806

TOLERANCE

SCALE

DRAW BY

FAX

021-66742368

0 &lt; L ≤ 4 ±0.1

4 &lt; L ≤ 16 ±0.2

16 &lt; L ≤ 63 ±0.3

Pin pitch ±0.2

4/1

CHECK BY

WEBSITE

selfelectronic.com

UNIT

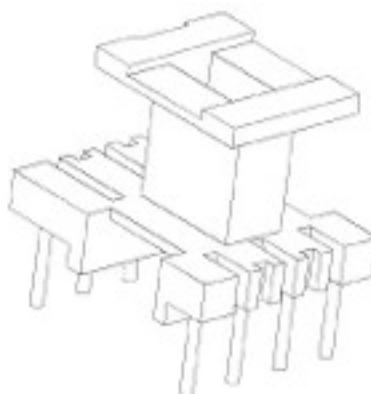
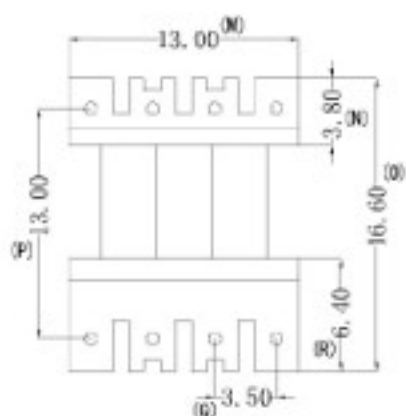
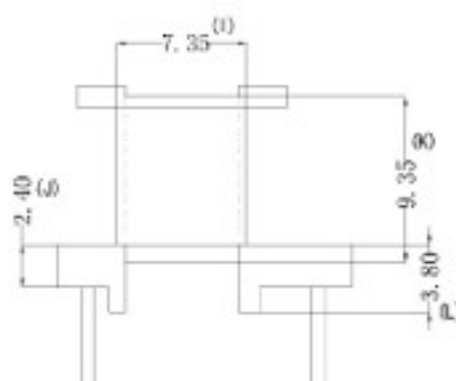
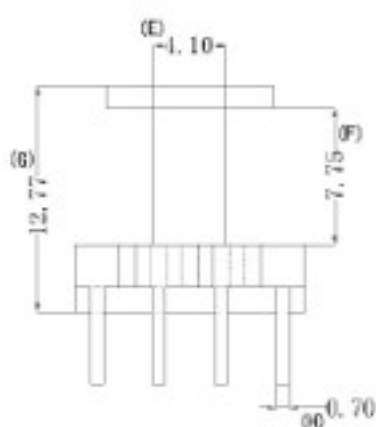
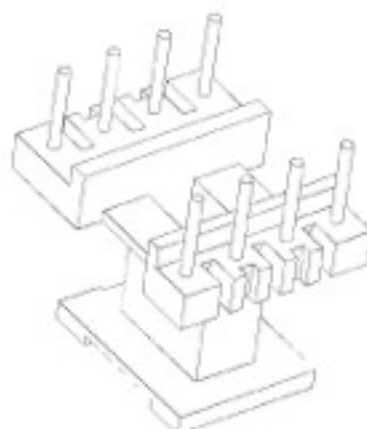
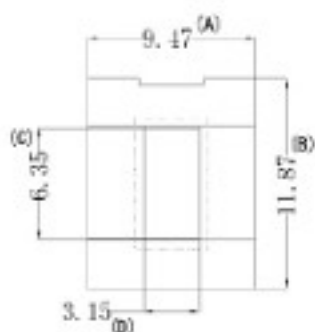
MM

DATE

2014.10.18

(TYPE)

029050131081101



**Self  
Electronic**

MODEL

E13/6/6 4+4

MATERIAL

PHENOLIC

TEL

021-66745473  
021-66716806

TOLERANCE

SCALE

DRAW BY

FAX

021-66742368

0 <math>L \le 4</math>  $\pm 0.1$ 4 <math>L \le 16</math>  $\pm 0.2$ 16 <math>L \le 63</math>  $\pm 0.3$ Pin pitch  $\pm 0.2$ 

4/1

CHECK BY

WEBSITE

selfelectronic.com

UNIT

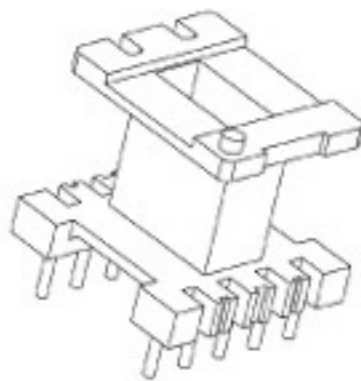
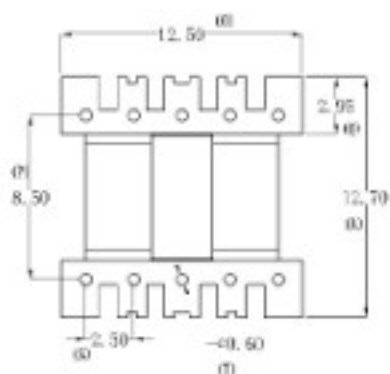
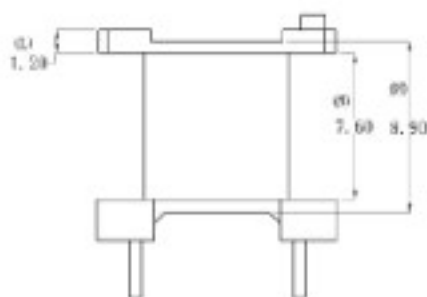
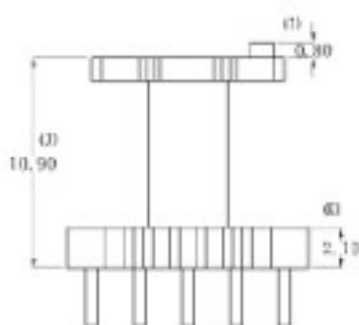
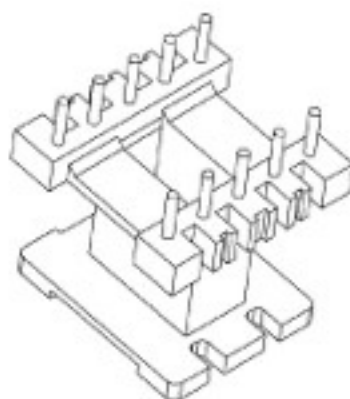
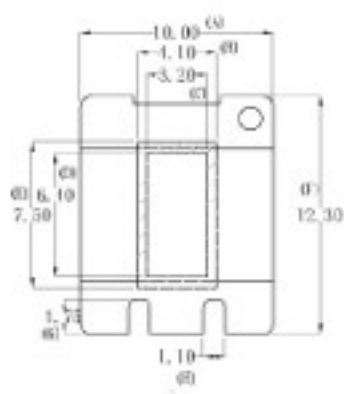
MM

DATE

2014.10.10

(TYPE)

029050131101103



### Self Electronic

MODEL

E13/6/6

MATERIAL

PHENOLIC

TEL

021-66745473  
021-66716806

TOLERANCE

SCALE

DRAW BY

FAX

021-66742368

0 &lt;math&gt;L \le 4&lt;/math&gt; ±0.1

4 &lt;math&gt;L \le 16&lt;/math&gt; ±0.2

16 &lt;math&gt;L \le 63&lt;/math&gt; ±0.3

Pin pitch ±0.2

4/1

CHECK BY

WEBSITE

selfelectronic.com

UNIT

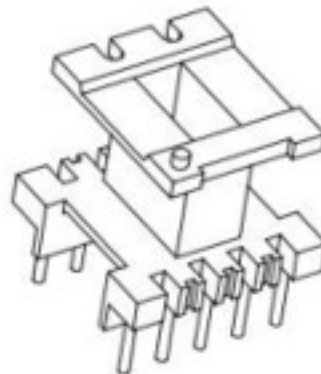
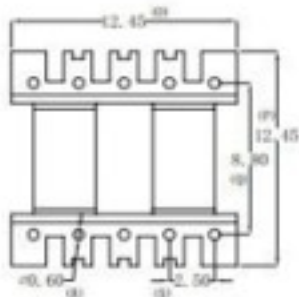
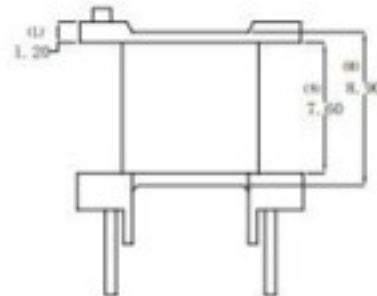
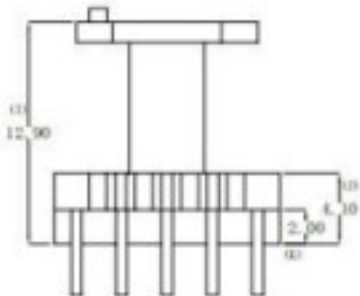
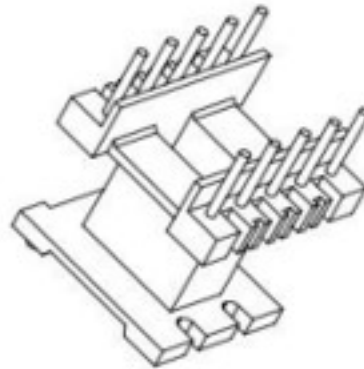
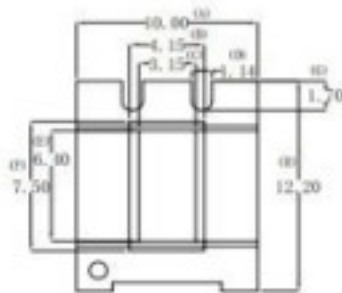
MM

DATE

2014.10.10

TYPE )

029050131101104



**Self  
Electronic**

MODEL

E13/6/6 5+5

MATERIAL

PHENOLIC

TEL

021-66745473  
021-66716806

TOLERANCE

SCALE

DRAW BY

FAX

021-66742368

 $0 < L \leq 4 \quad \pm 0.1$   
 $4 < L \leq 16 \quad \pm 0.2$ 

4/1

CHECK BY

WEBSITE

selfelectronic.com

 $16 < L \leq 63 \quad \pm 0.3$   
 Pin pitch  $\pm 0.2$ 

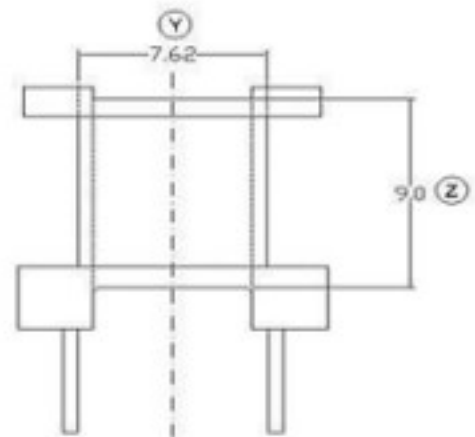
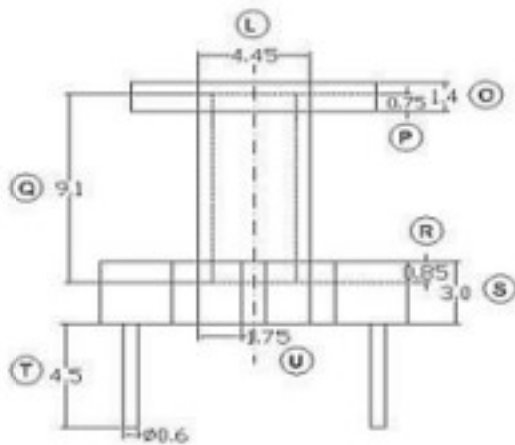
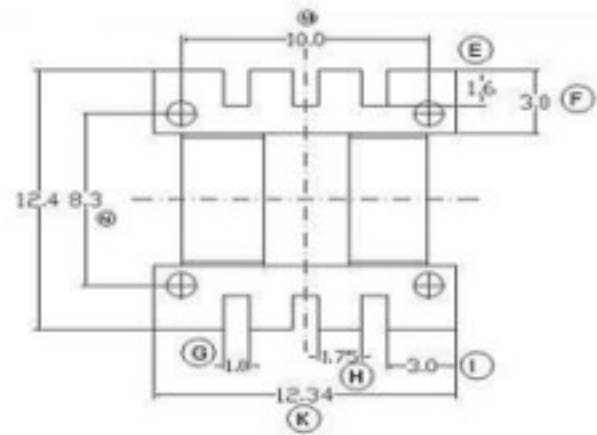
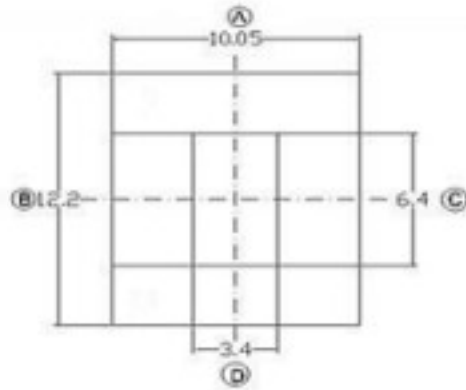
UNIT

MM

DATE

2014.10.18

(TYPE) 004050131041001



**Self  
Electronic**

MODEL E13/6/6 2+2

MATERIAL PHENOLIC

TEL 021-66745473  
021-66716806

TOLERANCE

SCALE DRAW BY

FAX 021-66742368

$0 < L \leq 4$   $\pm 0.1$   
 $4 < L \leq 16$   $\pm 0.2$

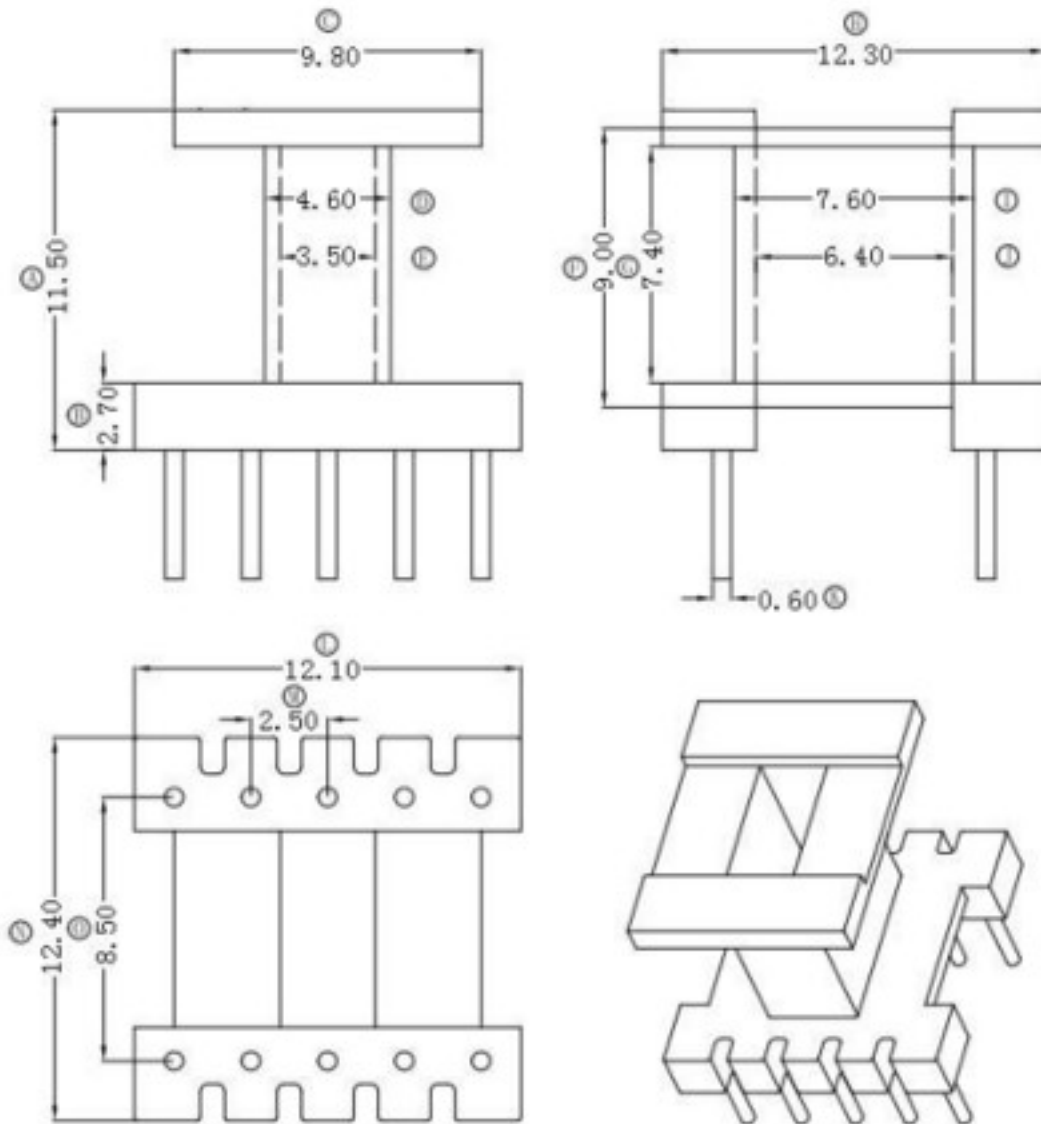
4/1 CHECK BY

WEBSITE selfelectronic.com

$16 < L \leq 63$   $\pm 0.3$   
Pin pitch  $\pm 0.2$

UNIT MM DATE 2014.10.18

(TYPE) 002050131101001



**Self  
Electronic**

MODEL E13/6/6 5+5

MATERIAL PHENOLIC

TEL 021-66745473  
021-66716806

TOLERANCE

SCALE DRAW BY

FAX 021-66742368

0 < L ≤ 4 ±0.1  
4 < L ≤ 16 ±0.2  
16 < L ≤ 63 ±0.3

4/1 CHECK BY

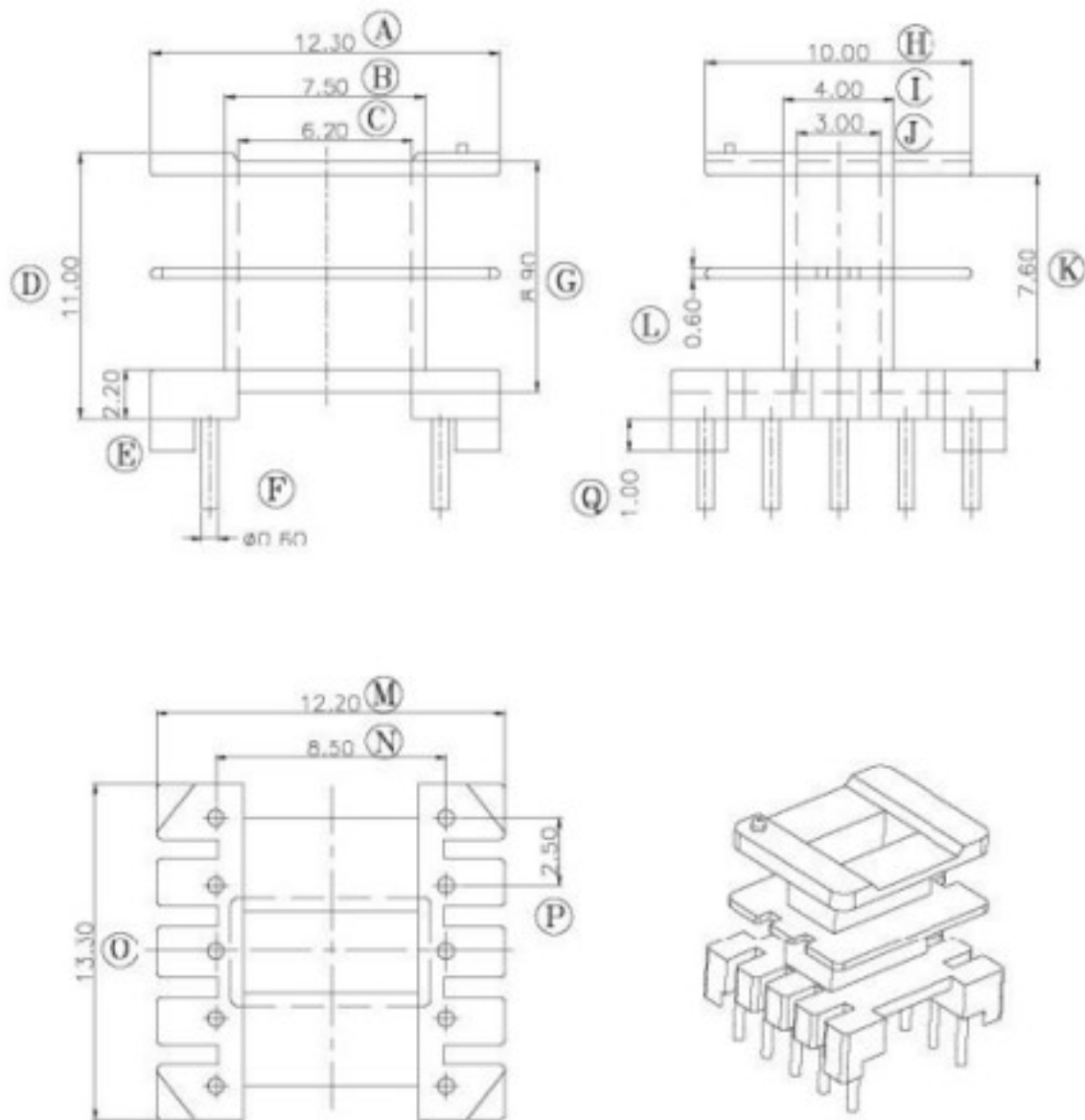
WEBSITE selfelectronic.com

Pin pitch ±0.2

UNIT MM DATE 2014.10.18

TYPE)

009050131102101



### Self Electronic

MODEL

E13/6/6

5+5

MATERIAL

PHENOLIC

TEL

021-66745473  
021-66716806

TOLERANCE

SCALE

DRAW BY

FAX

021-66742368

 $0 < L \leq 4 \quad \pm 0.1$   
 $4 < L \leq 16 \quad \pm 0.2$   
 $16 < L \leq 63 \quad \pm 0.3$ 

4/1

CHECK BY

WEBSITE

selfelectronic.com

Pin pitch  $\pm 0.2$ 

UNIT

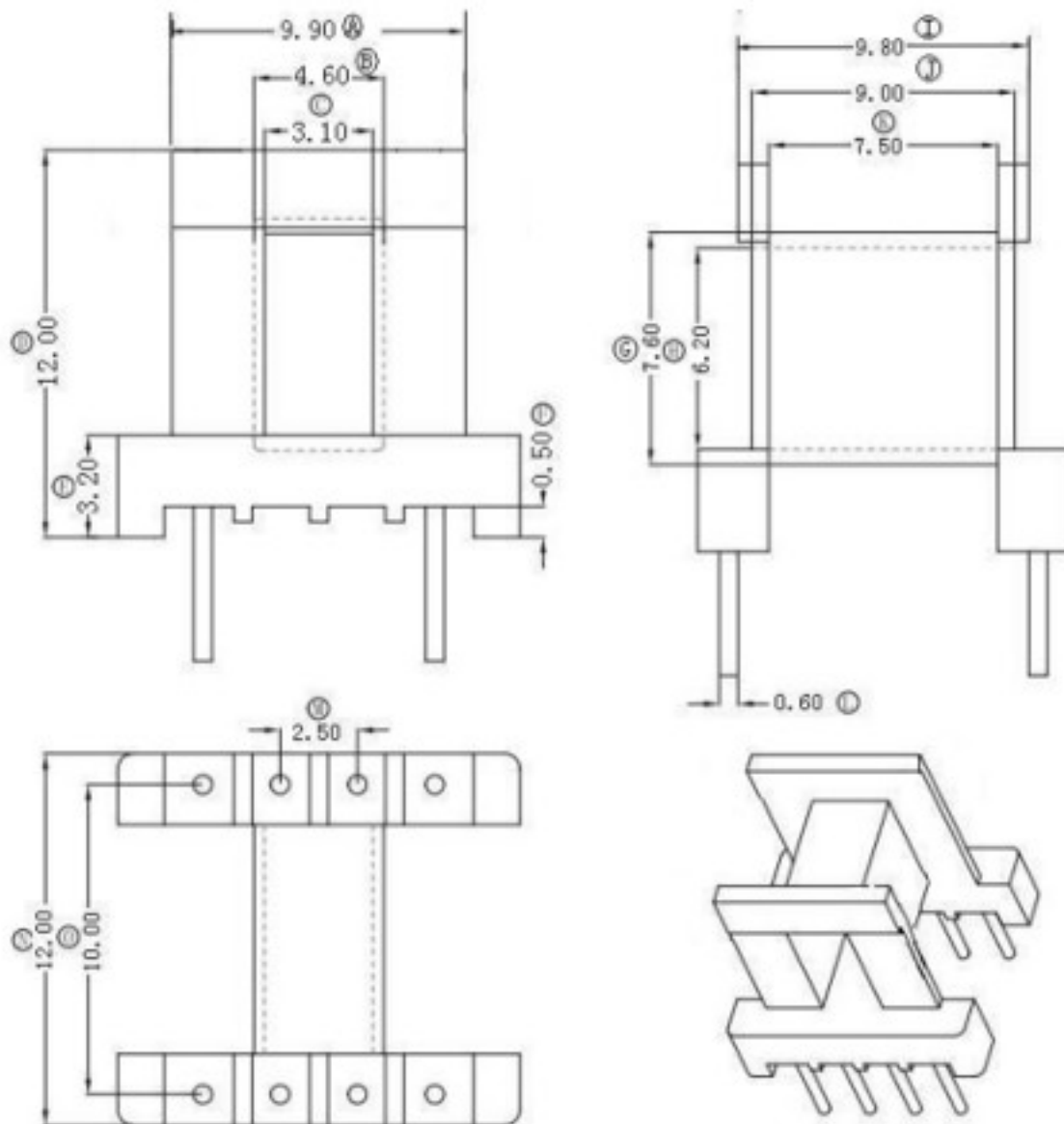
MM

DATE

2014.10.18



(TYPE) 080050132081001



**Self  
Electronic**

MODEL E13/6/6 4+4

MATERIAL PHENOLIC

TEL 021-66745473  
021-66716806

TOLERANCE

SCALE DRAW BY

FAX 021-66742368

0 < L ≤ 4 ±0.1  
4 < L ≤ 16 ±0.2

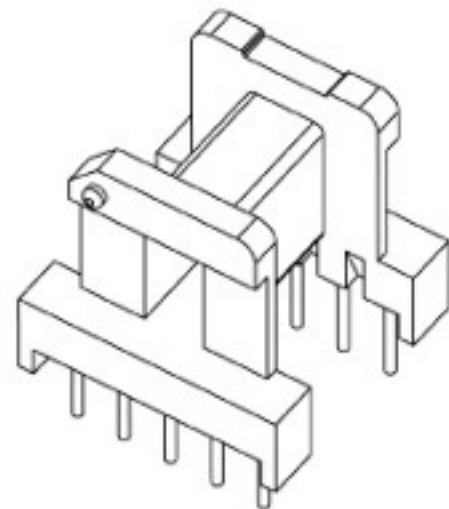
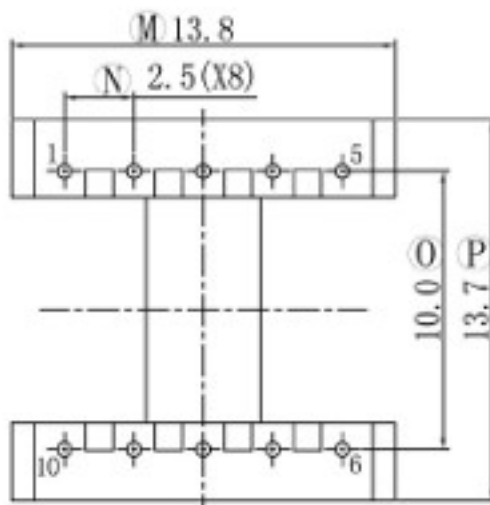
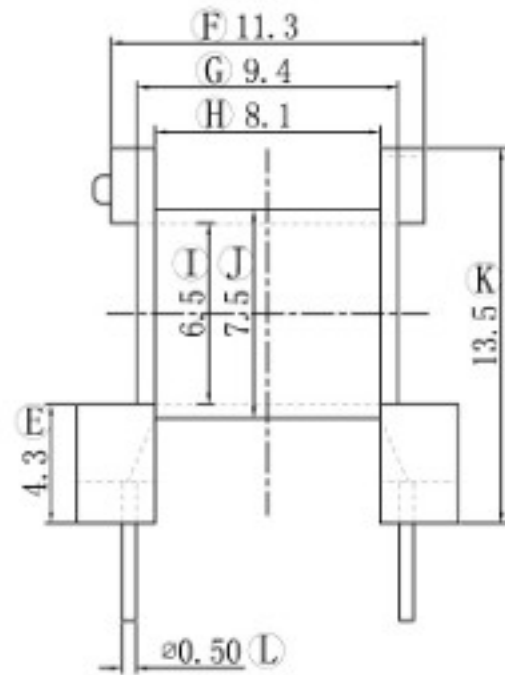
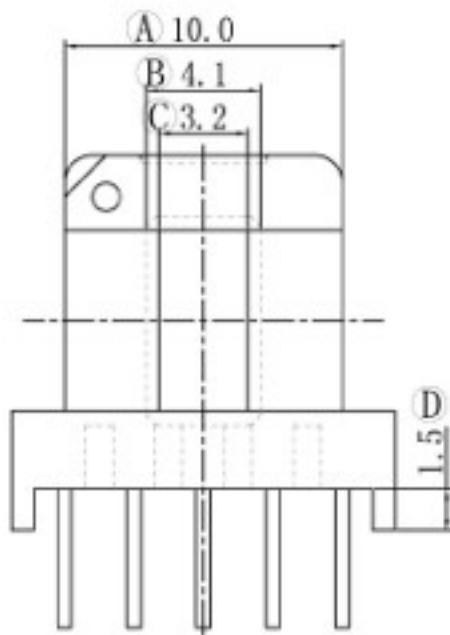
4/1 CHECK BY

WEBSITE selfelectronic.com

16 < L ≤ 63 ±0.3  
Pin pitch ±0.2

UNIT MM DATE 2014.10.18

(TYPE) 011050132101001



**Self  
Electronic**

MODEL E13/6/6 ; 5+5

MATERIAL PHENOLIC

TEL 021-66745473  
021-66716806

TOLERANCE

SCALE DRAW BY

FA> 021-66742368

0 < L ≤ 4 ±0.1

4 < L ≤ 16 ±0.2

16 < L ≤ 63 ±0.3

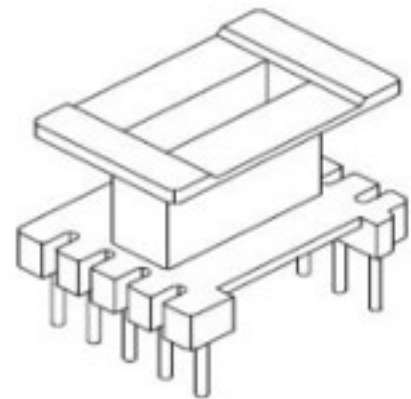
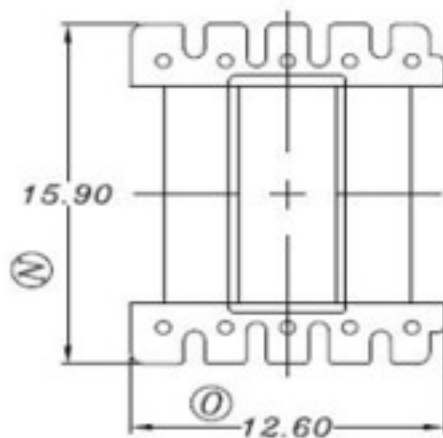
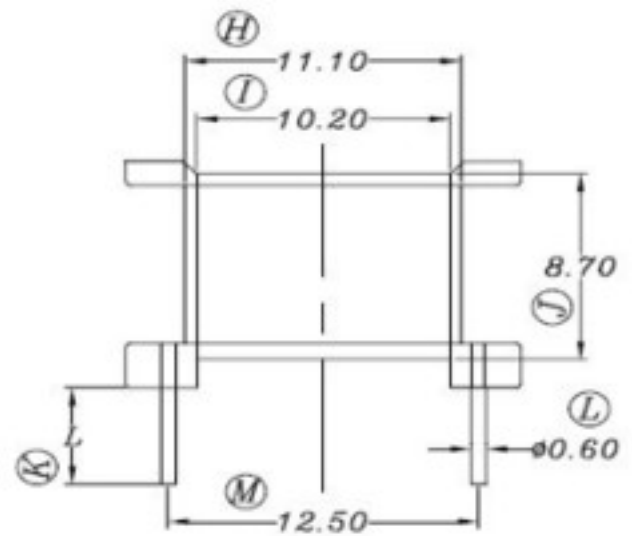
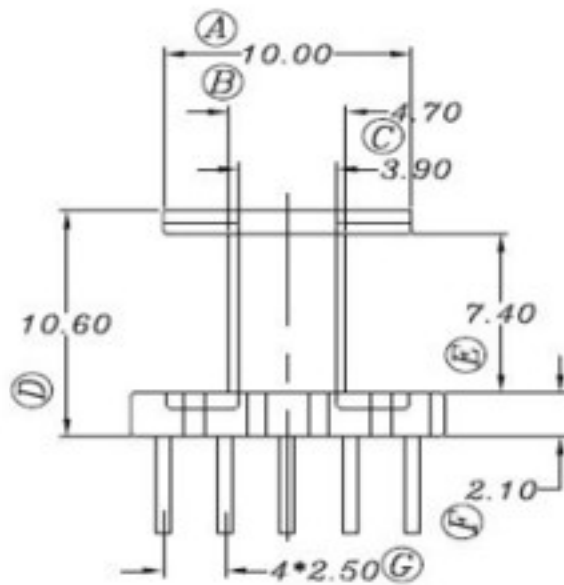
Pin pitch ±0.2

4/1 CHECK BY

WEBSITE selfelectronic.com

UNIT MM DATE 2014.03.12

(TYPE) 078050131101001



**Self  
Electronic**

MODEL E13/6/10 5+5

NAME ..... 12.5mm

MATERIAL PHENOLIC

TEL 021-66745473  
021-66716806

TOLERANCE

SCALE DRAW BY

FAX 021-66742368

0 &lt; L ≤ 4 ±0.1

4 &lt; L ≤ 16 ±0.2

16 &lt; L ≤ 63 ±0.3

Pin pitch ±0.2

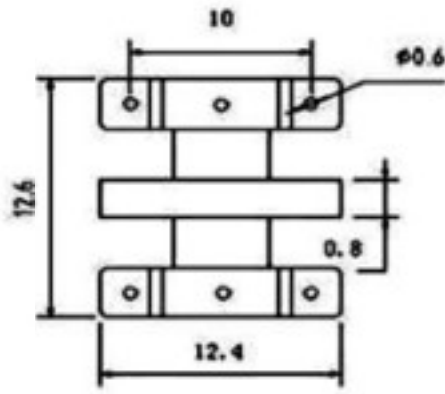
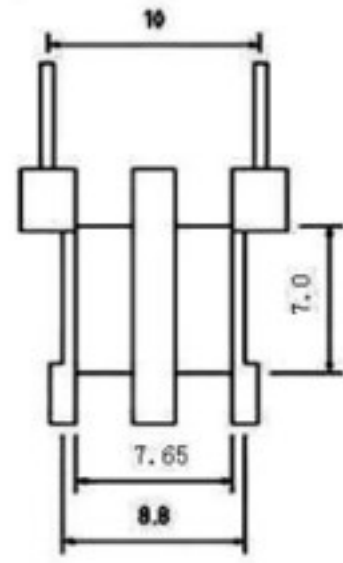
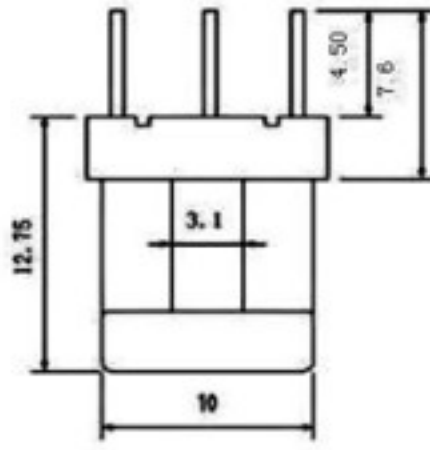
4/1 CHECK BY

WEBSITE selfelectronic.com

UNIT MM DATE 2014.03.12

(TYPE)

001050132062101



**Self Electronic**

MODEL E13/6/6 3+3

MATERIAL PHENOLIC

TEL 021-66745473  
021-66716806

TOLERANCE

SCALE DRAW BY

FAX 021-66742368

0 < L ≤ 4 ±0.1  
4 < L ≤ 16 ±0.2

4/1 CHECK BY

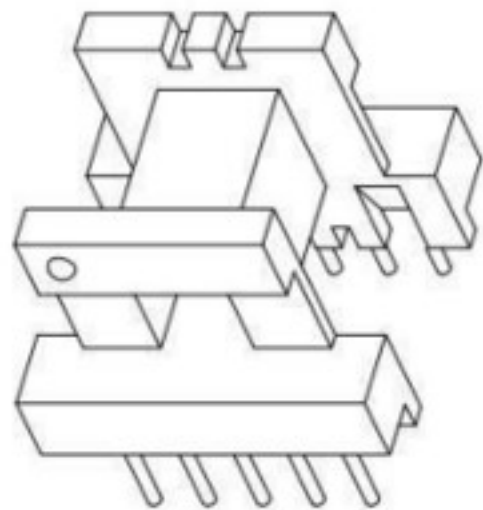
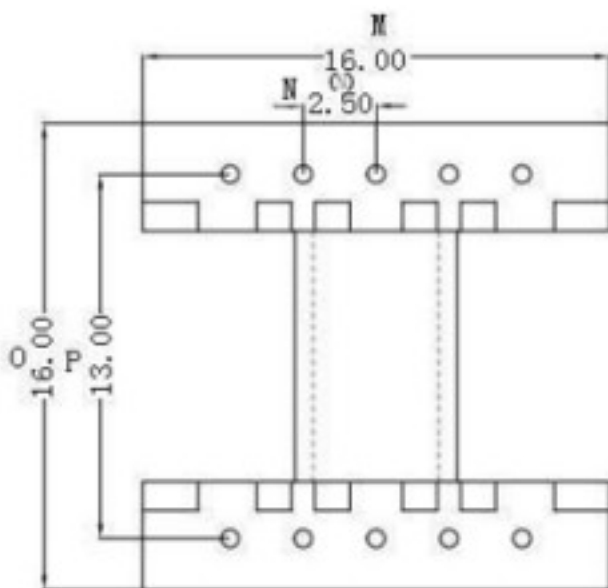
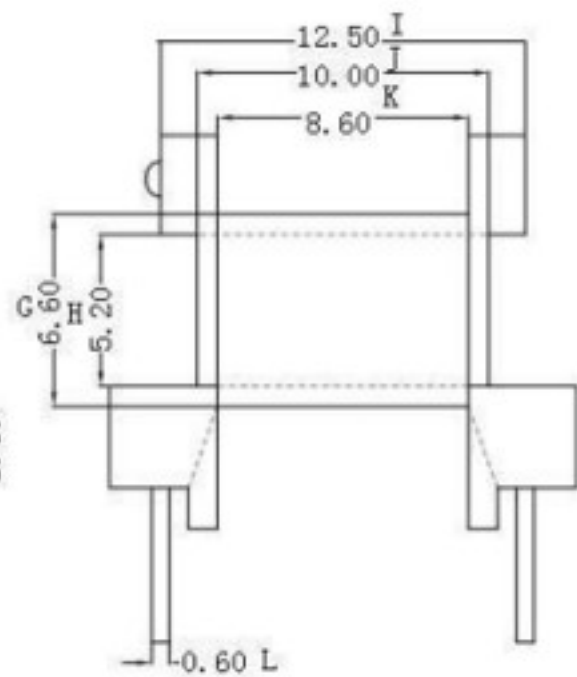
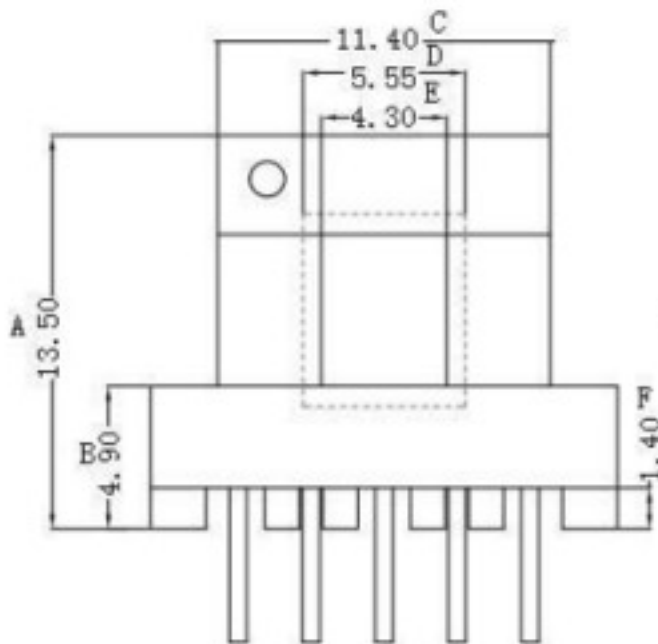
WEBSITE selfelectronic.com

16 < L ≤ 63 ±0.3  
Pin pitch ±0.2

UNIT MM DATE 2014.10.18

(TYPE)

006050162101001



### Self Electronic

MODEL  
NAME

E16/7/5 5+5

MATERIAL

PHENOLIC

TEL

021-66745473  
021-66716806

TOLERANCE

SCALE

DRAW BY

FAX

021-66742368

0 &lt; L ≤ 4 ±0.1

4 &lt; L ≤ 16 ±0.2

16 &lt; L ≤ 63 ±0.3

Pin pitch ±0.2

4/1

CHECK BY

WEBSITE

selfelectronic.com

UNIT

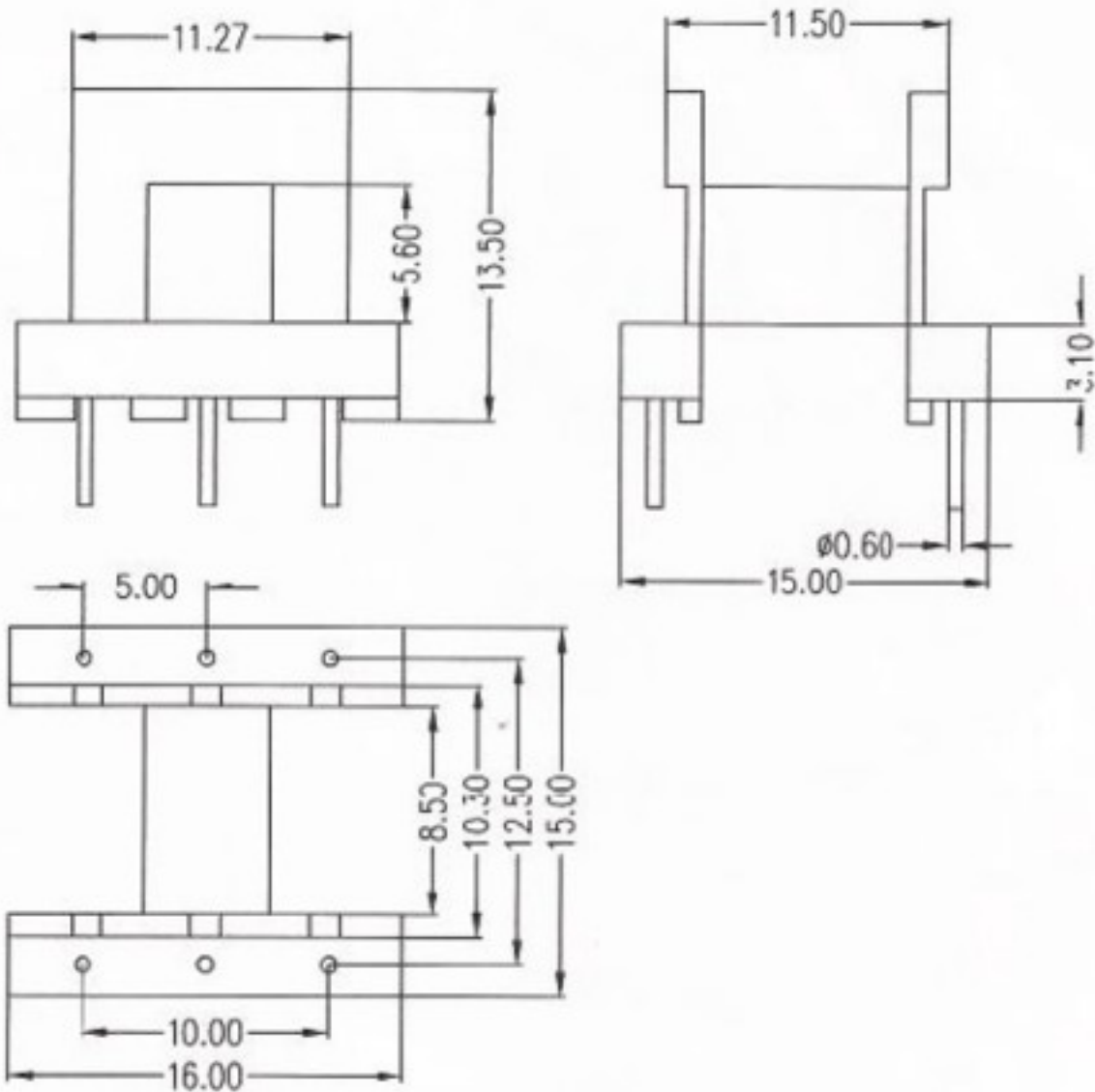
MM

DATE

2014.10.18

(TYPE)

001050162061001



**Self  
Electronic**

MODEL  
NAME

E16/7/5 3+3

MATERIAL

PHENOLIC

TEL

021-66745473  
021-66716806

TOLERANCE

SCALE

DRAW BY

FAX

021-66742368

 $0 < L \leq 4 \quad \pm 0.1$   
 $4 < L \leq 16 \quad \pm 0.2$   
 $16 < L \leq 63 \quad \pm 0.3$   
 Pin pitch  $\pm 0.2$ 

4/1

CHECK BY

WEBSITE

selfelectronic.com

UNIT

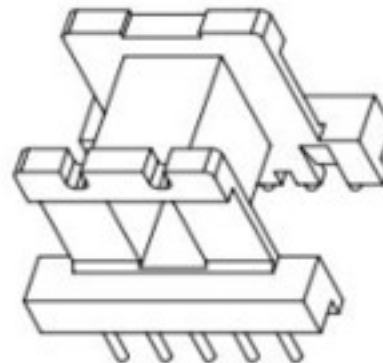
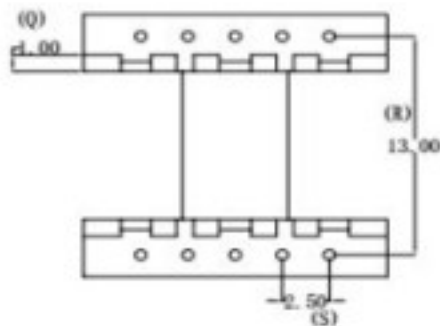
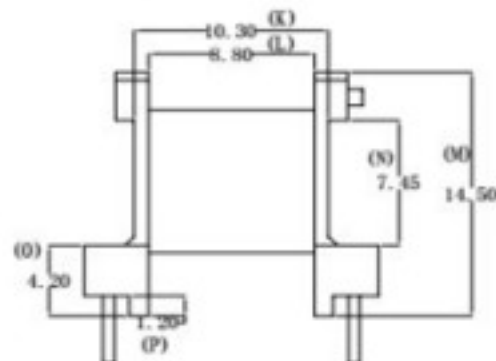
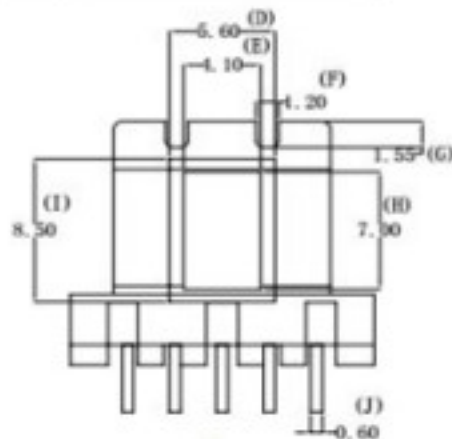
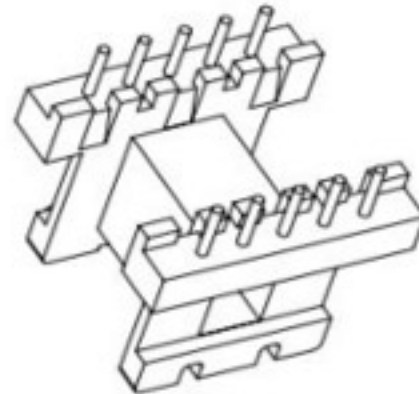
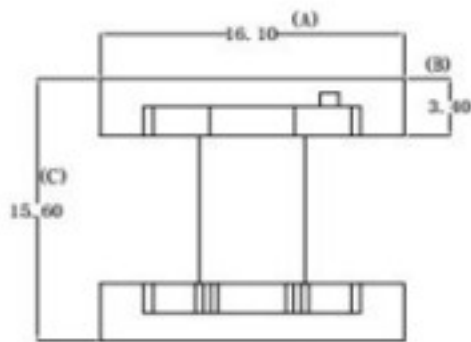
MM

DATE

2015.11.17

(TYPE)

029050162101108



**Self  
Electronic**

MODEL

E16/7/5 5+5

MATERIAL

PHENOLIC

TEL

021-66745473  
021-66716806

TOLERANCE

SCALE

DRAW BY

FAX

021-66742368

 $0 < L \leq 4 \quad \pm 0.1$   
 $4 < L \leq 16 \quad \pm 0.2$ 

4/1

CHECK BY

WEBSITE

selfelectronic.com

 $16 < L \leq 63 \quad \pm 0.3$   
 Pin pitch  $\pm 0.2$ 

UNIT

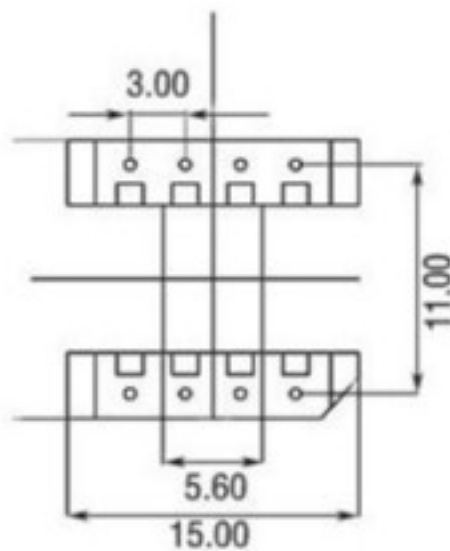
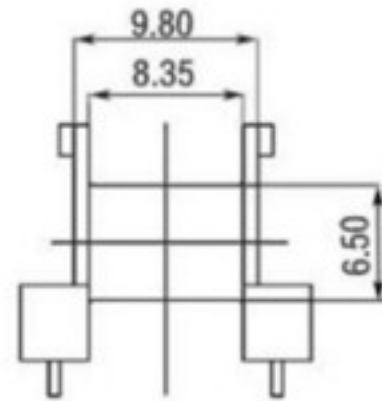
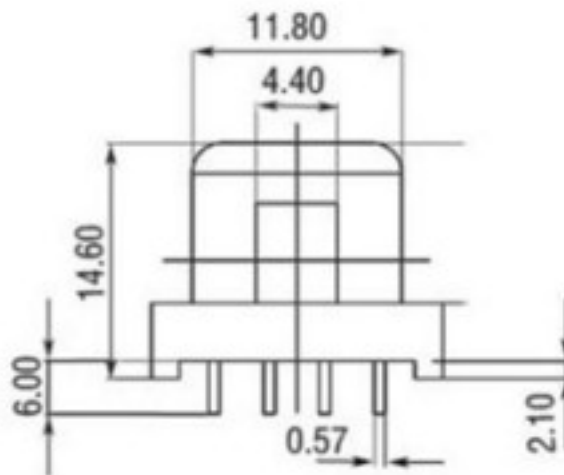
MM

DATE

2014.10.18

TYPE )

002050162081001



### Self Electronic

MODEL

E16/7/5

4+4

MATERIAL

PHENOLIC

TEL

021-66745473  
021-66716806

TOLERANCE

SCALE

DRAW BY

FAX

021-66742368

 $0 < L \leq 4 \quad \pm 0.1$   
 $4 < L \leq 16 \quad \pm 0.2$   
 $16 < L \leq 63 \quad \pm 0.3$ 

4/1

CHECK BY

WEBSITE

selfelectronic.com

Pin pitch  $\pm 0.2$ 

UNIT

MM

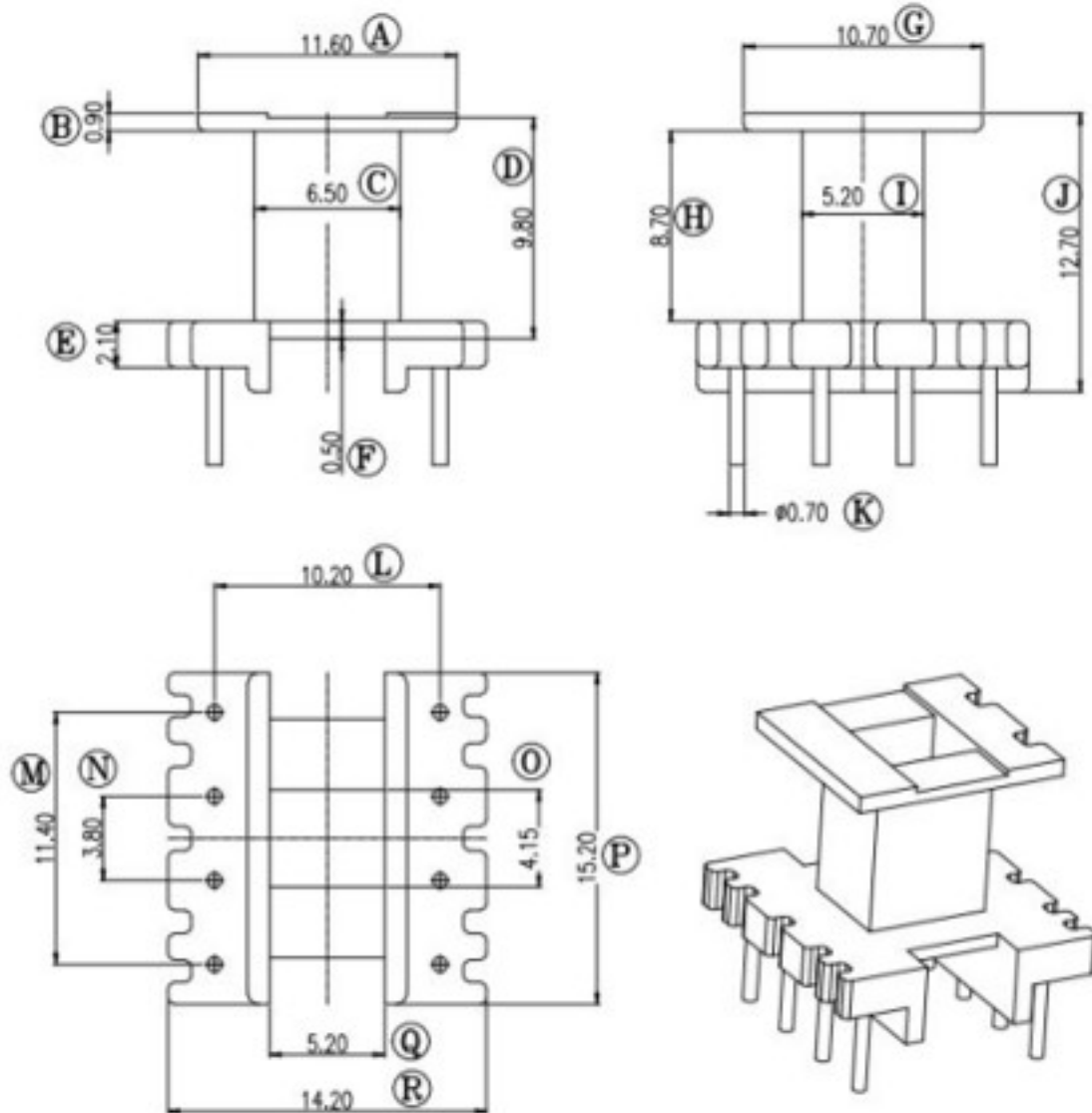
DATE

2014.10.18



(TYPE)

009050161081001



**Self  
Electronic**

MODEL

E16/7/5 4+4

MATERIAL

PHENOLIC

TEL

021-66745473  
021-66716806

TOLERANCE

SCALE

DRAW BY

FAX

021-66742368

0 &lt; L ≤ 4 ±0.1

4 &lt; L ≤ 16 ±0.2

16 &lt; L ≤ 63 ±0.3

Pin pitch ±0.2

4/1

CHECK BY

WEBSITE

selfelectronic.com

UNIT

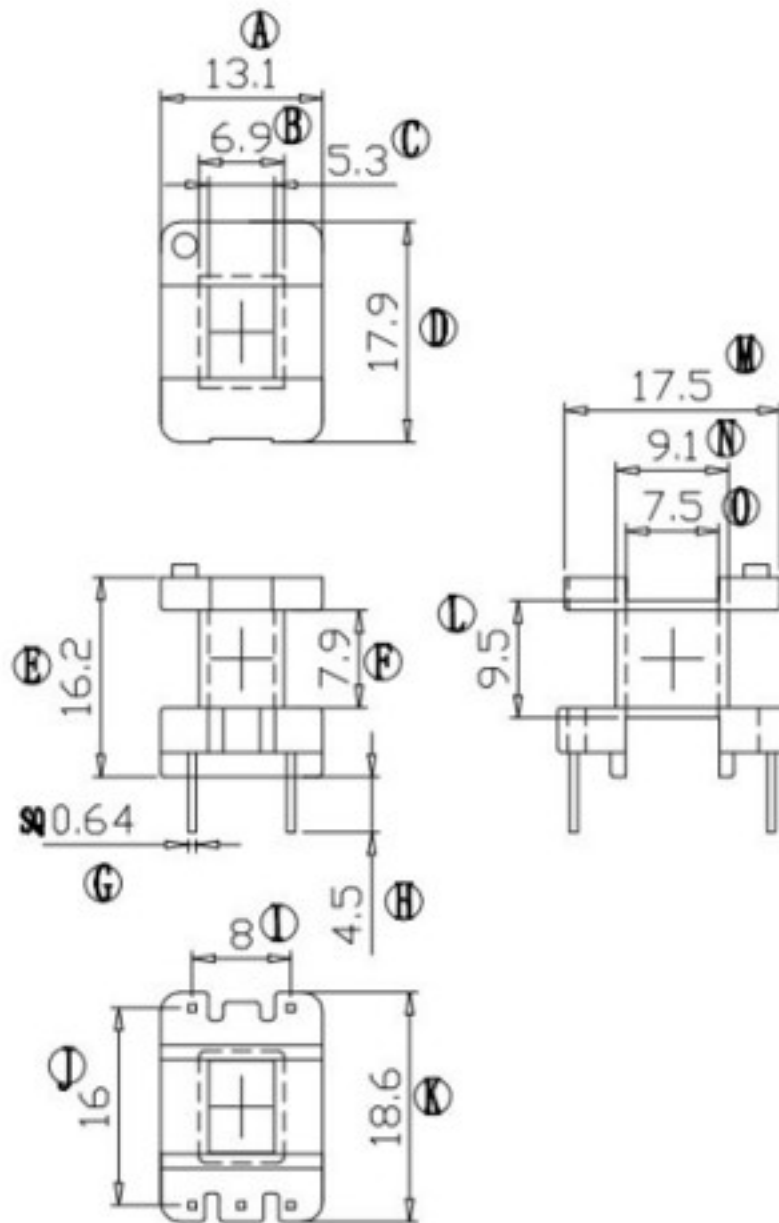
MM

DATE

2014.10.18

(TYPE)

031050191051001



### Self Electronic

MODEL

E19 3+2 TY

MATERIAL

PHENOLIC

TEL :

021-66745473  
021-66716806

TOLERANCE

SCALE

DRAW BY

FAX :

021-66742368

0 &lt; L ≤ 4 ±0.1

4 &lt; L ≤ 16 ±0.2

16 &lt; L ≤ 63 ±0.3

Pin pitch ±0.2

4/1

CHECK BY

WEBSITE

selfelectronic.com

UNIT

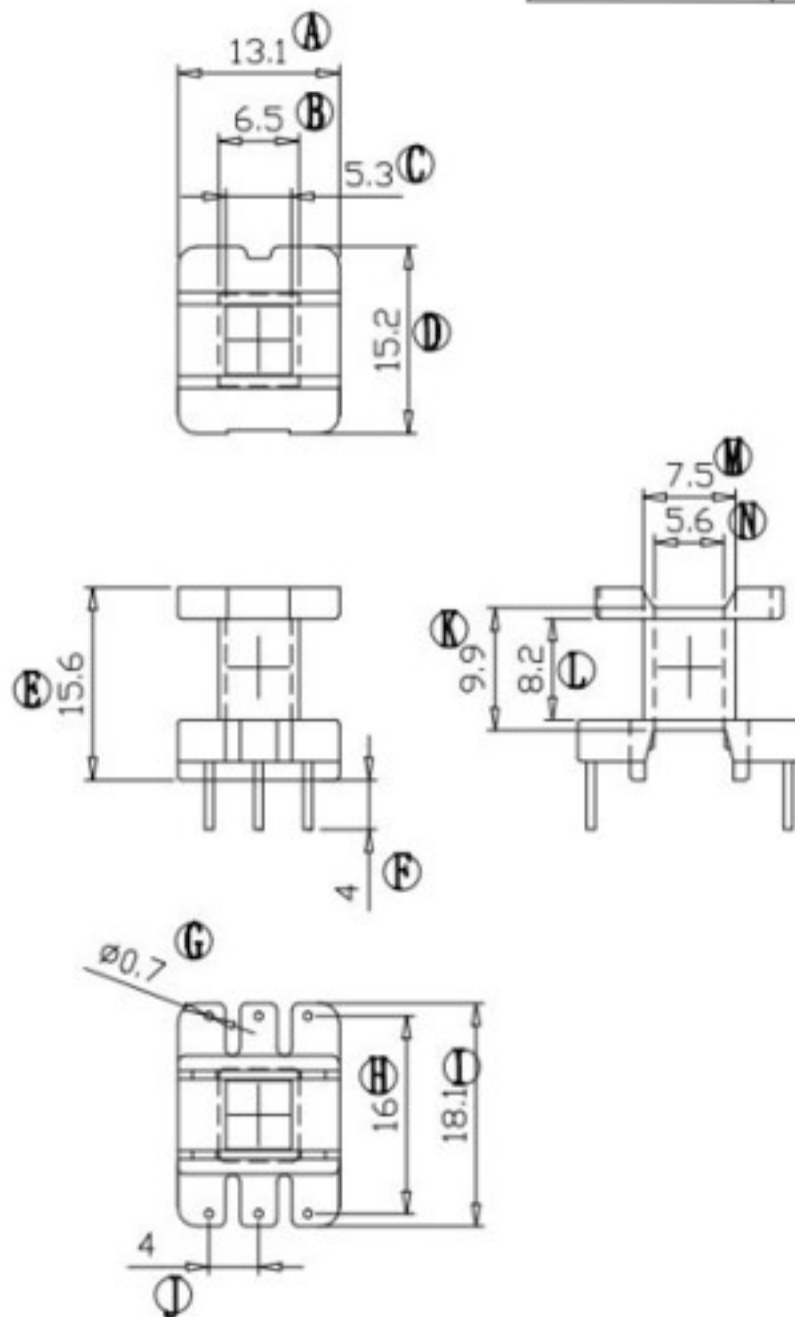
MM

DATE

2015.11.17

(TYPE)

031050191061001



**Self  
Electronic**

MODEL

E19 3+3 TY

MATERIAL

PHENOLIC

TEL

021-66745473  
021-66716806

TOLERANCE

SCALE

DRAW BY

FAX

021-66742368

0 &lt; L ≤ 4 ±0.1

4 &lt; L ≤ 16 ±0.2

16 &lt; L ≤ 63 ±0.3

Pin pitch ±0.2

4/1

CHECK BY

WEBSITE

selfelectronic.com

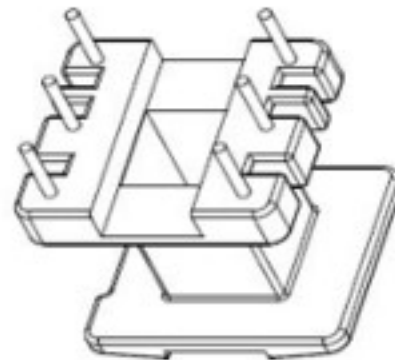
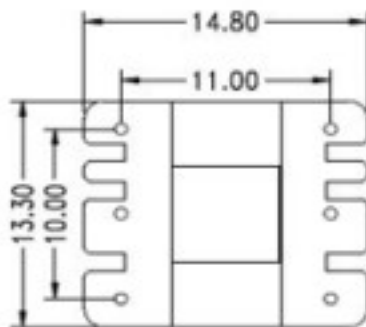
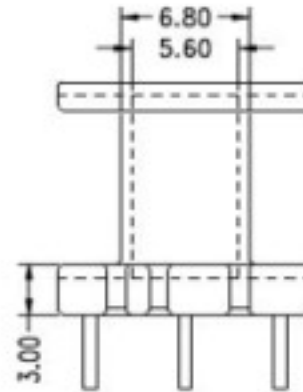
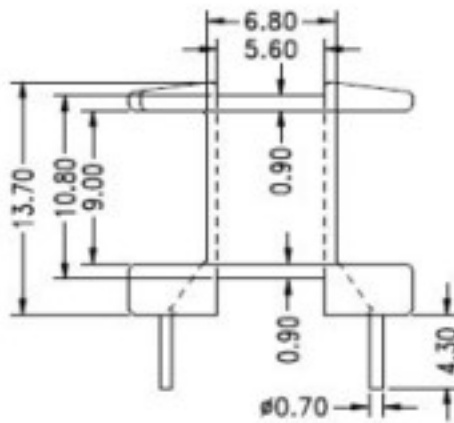
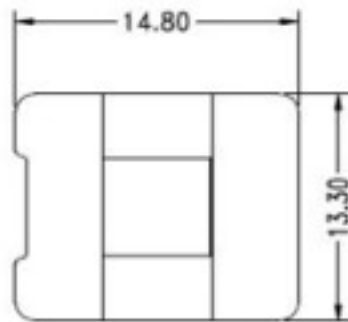
UNIT

MM

DATE

2015.11.17

(TYPE) 052050191061101



### Self Electronic

MODEL

E19/8/5

3+3

MATERIAL

PHENOLIC

TEL

021-66745473  
021-66716806

TOLERANCE

SCALE

DRAW BY

FAX

021-66742368

 $0 < L \leq 4 \quad \pm 0.1$   
 $4 < L \leq 16 \quad \pm 0.2$ 

4/1

CHECK BY

WEBSITE

selfelectronic.com

 $16 < L \leq 63 \quad \pm 0.3$   
 Pin pitch  $\pm 0.2$ 

UNIT

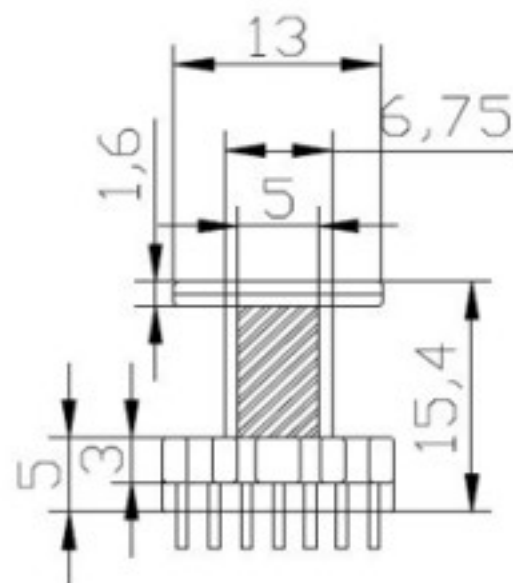
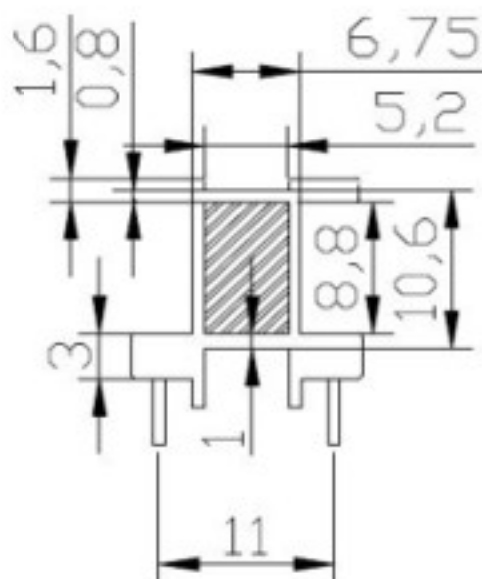
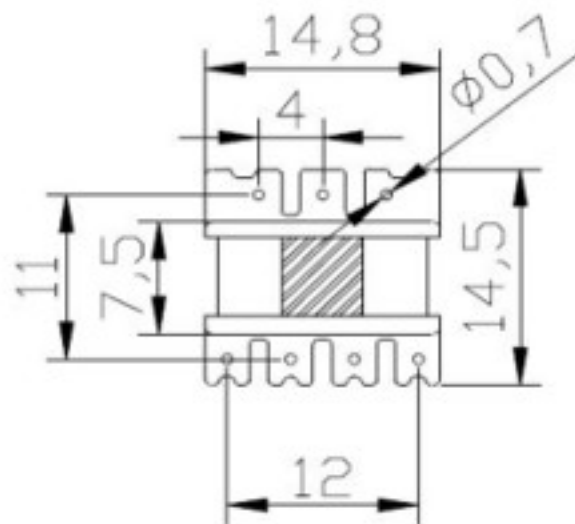
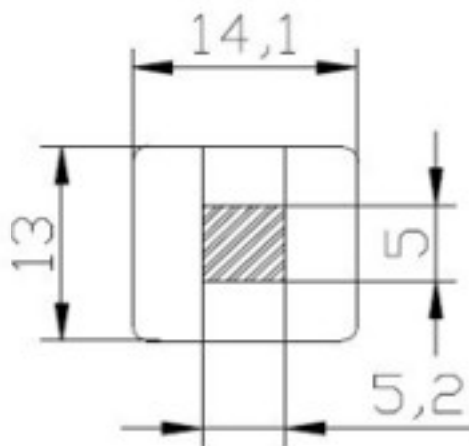
MM

DATE

2014.10.18

(TYPE)

052050191071101



**Self  
Electronic**

MODEL

E19/8/5 3+4

MATERIAL

PHENOLIC

TEL

021-66745473  
021-66716806

TOLERANCE

SCALE

DRAW BY

FAX

021-66742368

 $0 < L \leq 4 \quad \pm 0.1$   
 $4 < L \leq 16 \quad \pm 0.2$ 

4/1

CHECK BY

WEBSITE

selfelectronic.com

 $16 < L \leq 63 \quad \pm 0.3$   
 Pin pitch  $\pm 0.2$ 

UNIT

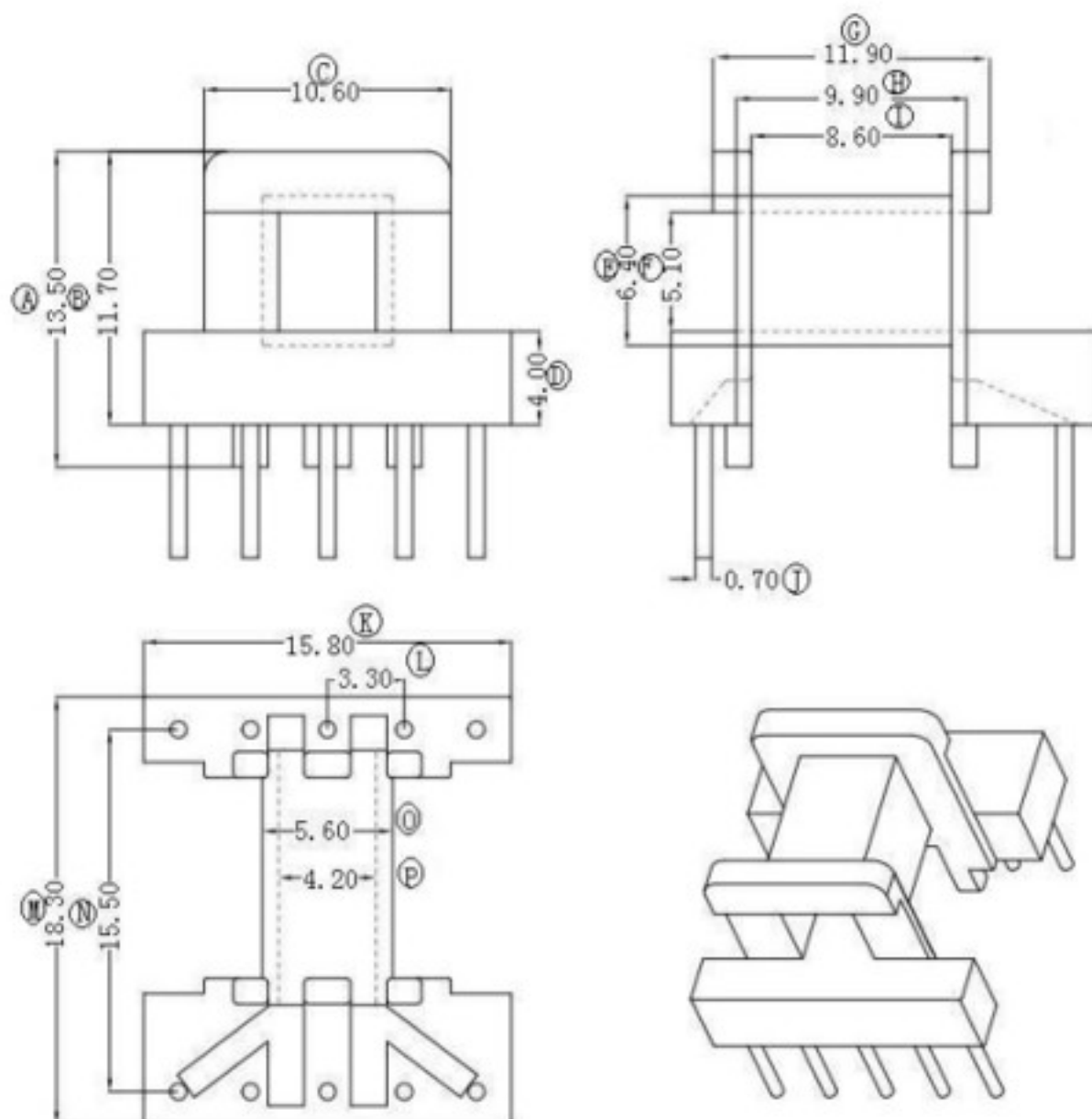
MM

DATE

2014.10.18

(TYPE)

006050162101109



**Self  
Electronic**

MODEL

E16/7/5 5+5  
15.5mm

MATERIAL

PHENOLIC

TEL

021-66745473  
021-66716806

TOLERANCE

 $0 < L \leq 4 \quad \pm 0.1$   
 $4 < L \leq 16 \quad \pm 0.2$   
 $16 < L \leq 63 \quad \pm 0.3$   
 Pin pitch  $\pm 0.2$ 

SCALE

4/1

DRAW BY

CHECK BY

WEBSITE

selfelectronic.com

UNIT

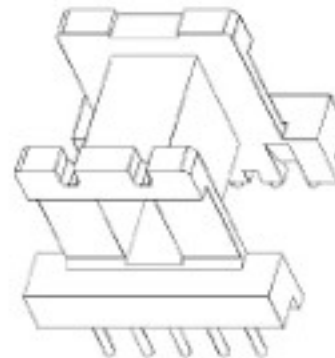
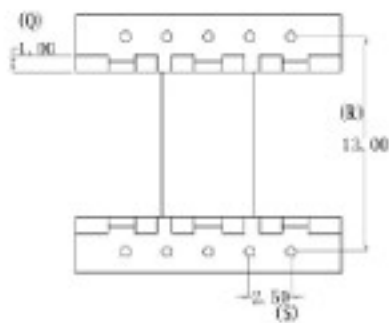
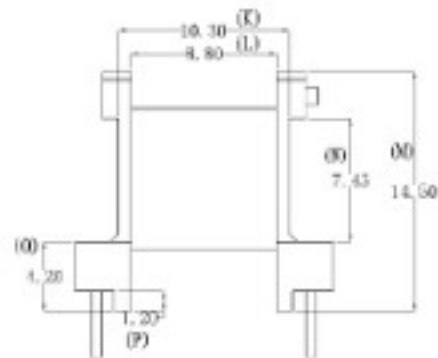
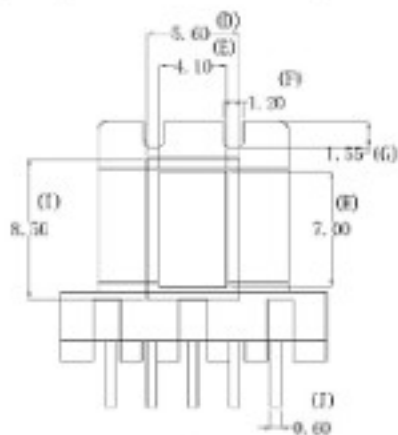
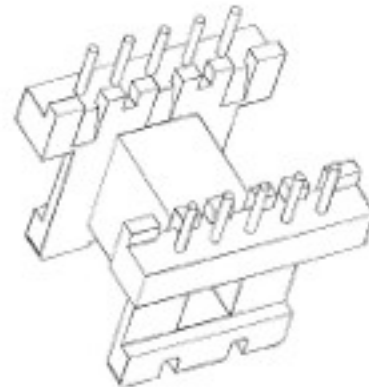
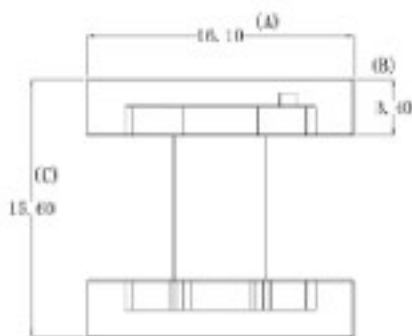
MM

DATE

2014.10.18

(TYPE)

029050162101108



### Self Electronic

MODEL

E16/7/5 5+5  
13 2.5

MATERIAL

PHENOLIC

TEL

021-66745473  
021-66716806

TOLERANCE

 $0 < L \leq 4 \quad \pm 0.1$   
 $4 < L \leq 16 \quad \pm 0.2$   
 $16 < L \leq 63 \quad \pm 0.3$   
 Pin pitch  $\pm 0.2$ 

SCALE

4/1

DRAW BY

CHECK BY

WEBSITE

selfelectronic.com

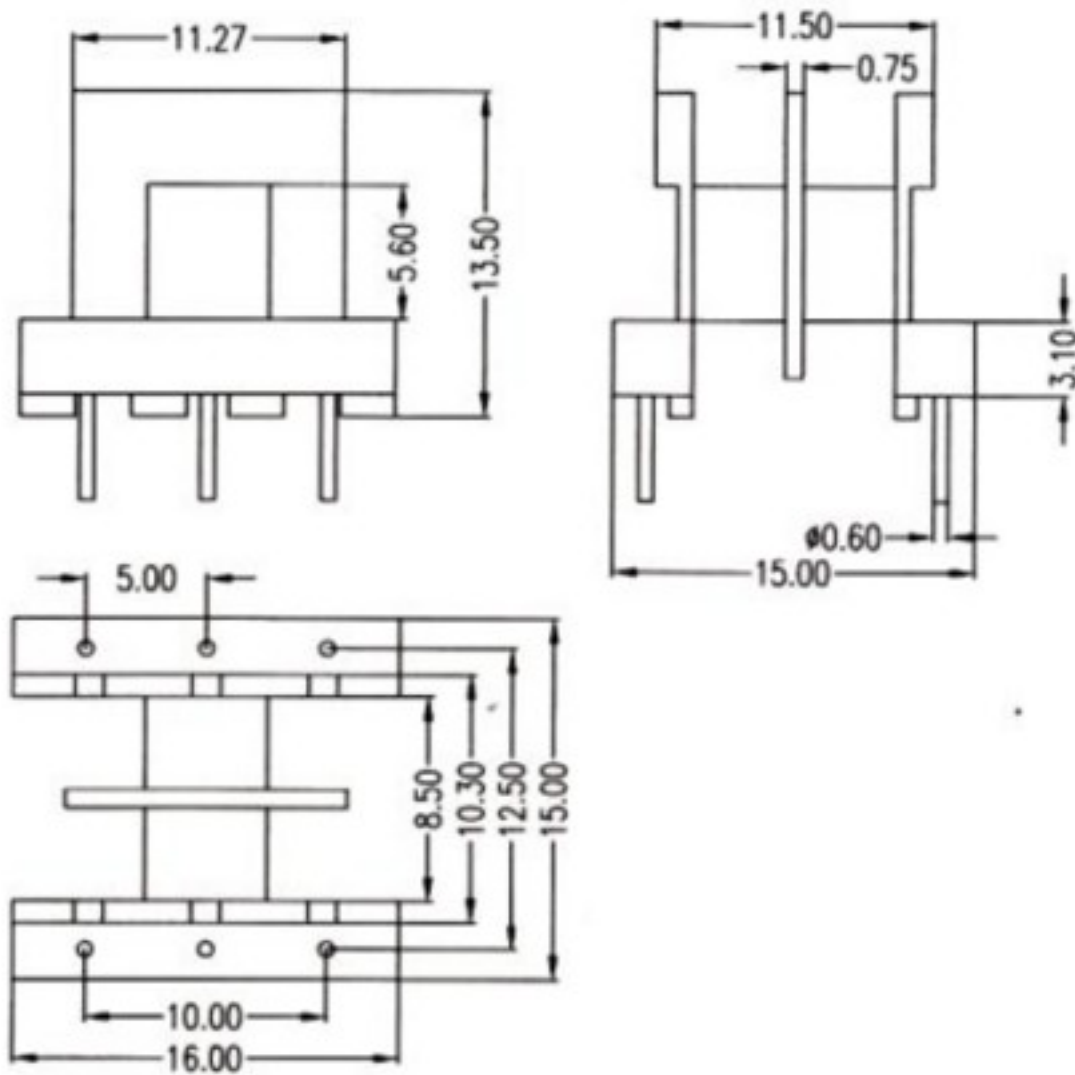
UNIT MM

DATE

2014.10.18

TYPE)

001050162062101



### Self Electronic

MODEL

E16/7/5

3+3

MATERIAL

PHENOLIC

TEL

021-66745473  
021-66716806

TOLERANCE

SCALE

DRAW BY

FAX

021-66742368

 $0 < L \leq 4$   $\pm 0.1$   
 $4 < L \leq 16$   $\pm 0.2$ 

4/1

CHECK BY

WEBSITE

selfelectronic.com

 $16 < L \leq 63$   $\pm 0.3$   
 Pin pitch  $\pm 0.2$ 

UNIT MM

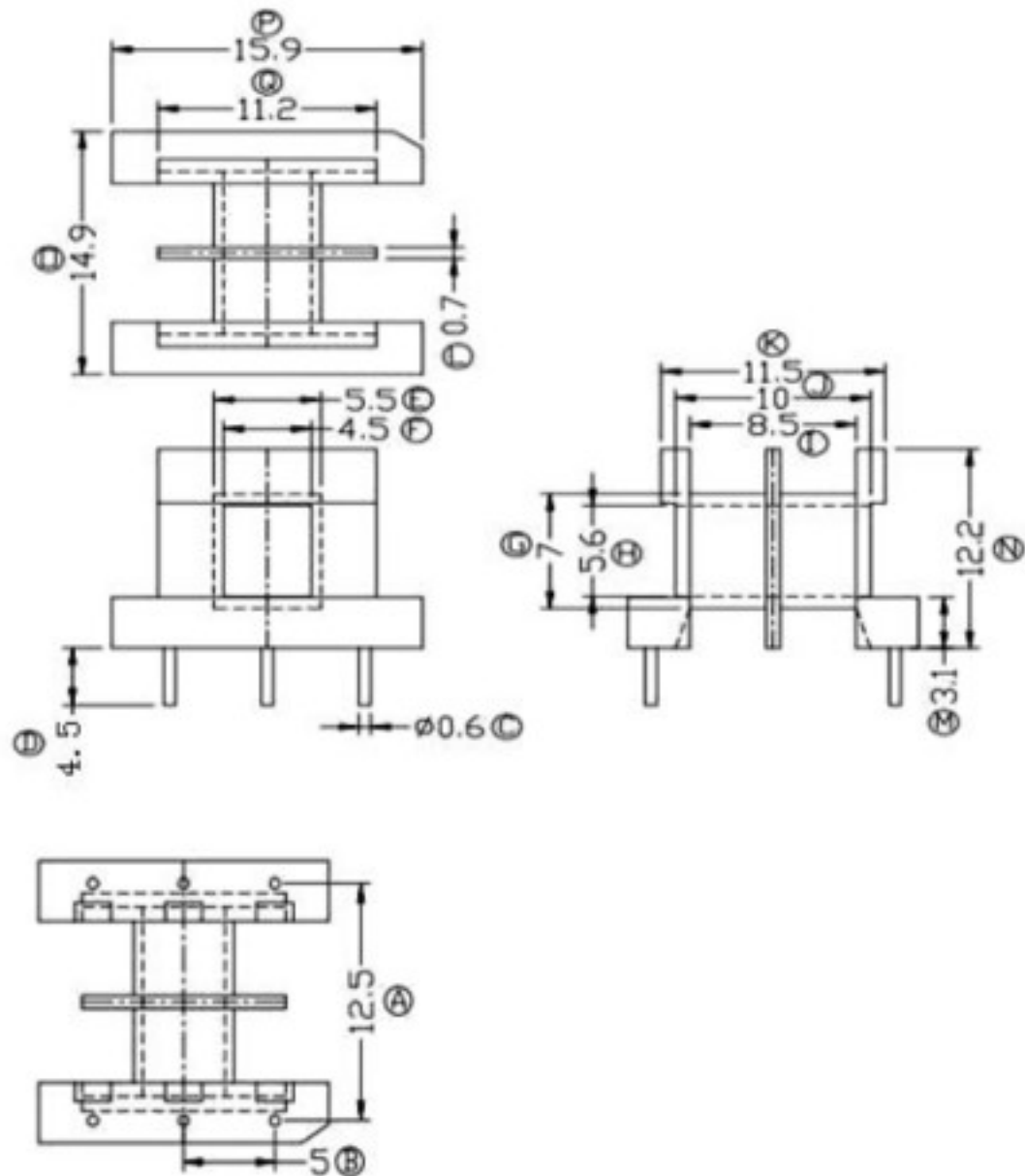
DATE

2014.10.18



(TYPE)

031050162062101



**Self  
Electronic**

MODEL

E16/7/5

3+3

MATERIAL

PHENOLIC

TEL

021-66745473  
021-66716806

TOLERANCE

0 < L ≤ 4 ±0.1  
 4 < L ≤ 16 ±0.2  
 16 < L ≤ 63 ±0.3  
 Pin pitch ±0.2

SCALE

DRAW BY

FAX

021-66742368

4/1

CHECK BY

WEBSITE

selfelectronic.com

UNIT

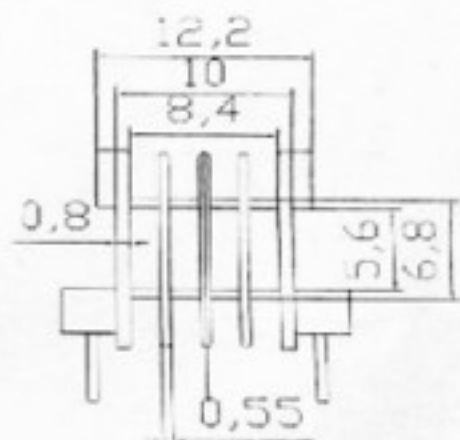
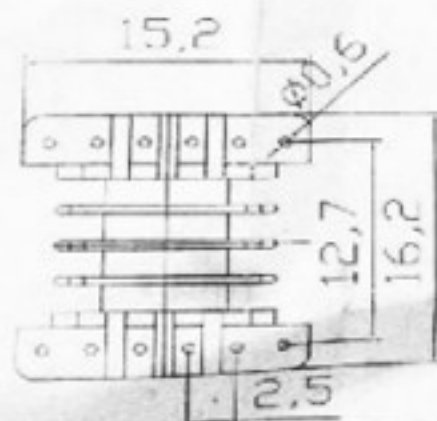
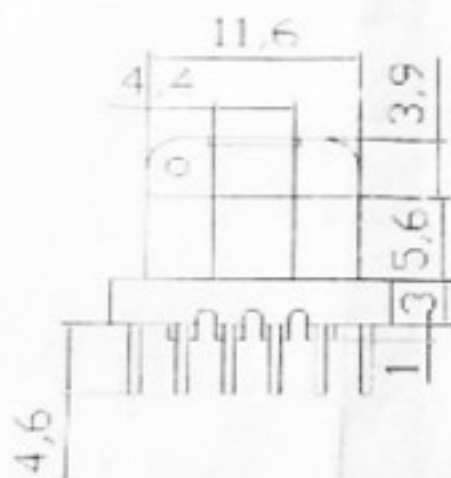
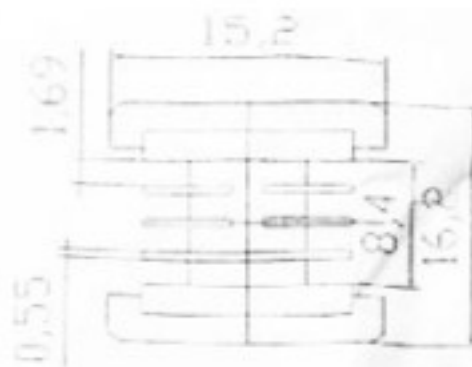
MM

DATE

2014.10.18

(TYPE)

002050162124104



**Self  
Electronic**

MODEL

E16/7/5

6+6

MATERIAL

PHENOLIC

TEL

021-66745473  
021-66716806

TOLERANCE

SCALE

DRAW BY

FAX

021-66742368

0 &lt;math&gt;L \leq 4&lt;/math&gt; ±0.1

4 &lt;math&gt;L \leq 16&lt;/math&gt; ±0.2

16 &lt;math&gt;L \leq 63&lt;/math&gt; ±0.3

Pin pitch ±0.2

4/1

CHECK BY

WEBSITE

selfelectronic.com

UNIT

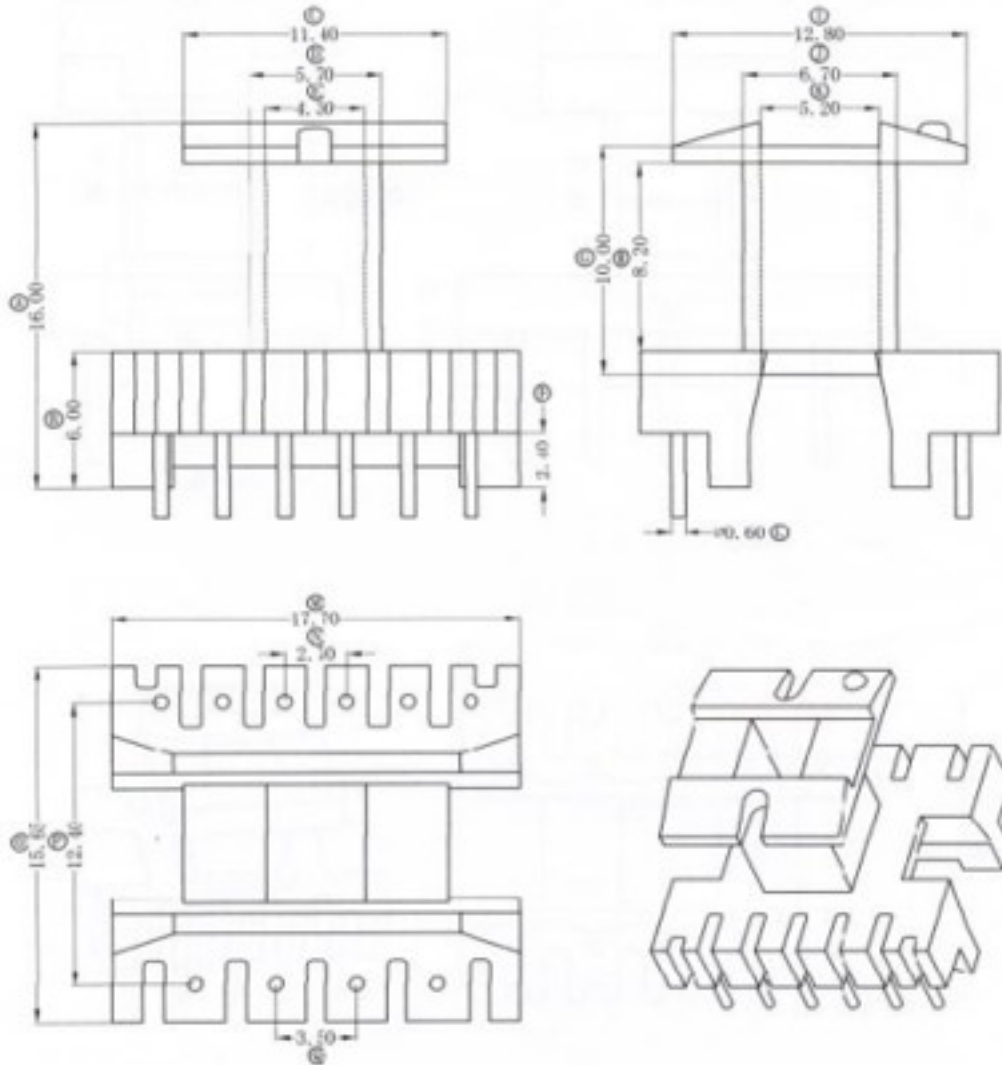
MM

DATE

2015.11.14

(TYPE)

006050161101001



**Self  
Electronic**

MODEL

E16/7/5 4+6

MATERIAL

PHENOLIC

TEL

021-66745473  
021-66716806

TOLERANCE

SCALE

DRAW BY

FA>

021-66742368

0 < L ≤ 4 ±0.1

4 < L ≤ 16 ±0.2

16 < L ≤ 63 ±0.3

Pin pitch ±0.2

4/1

CHECK BY

WEBSITE

selfelectronic.com

UNIT

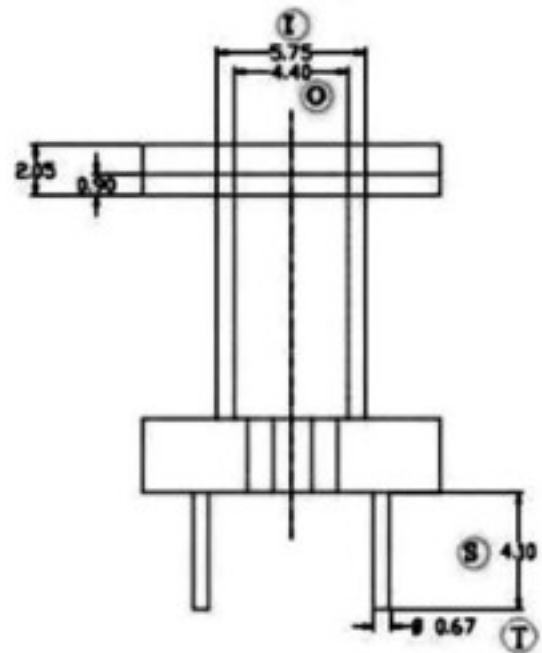
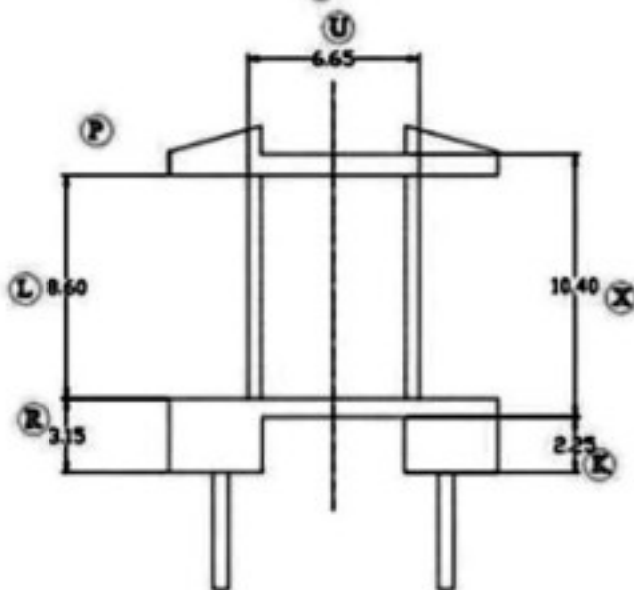
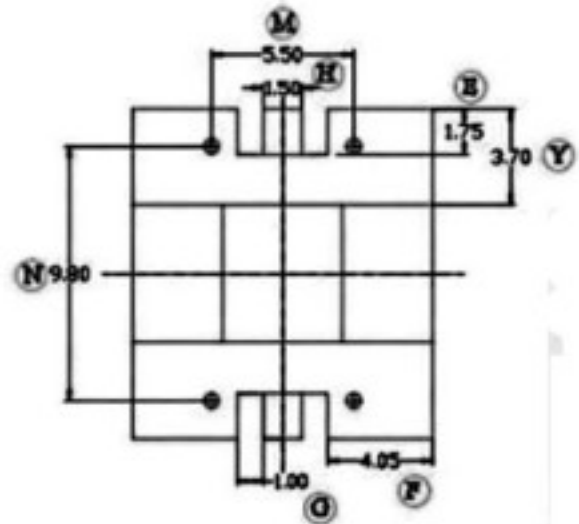
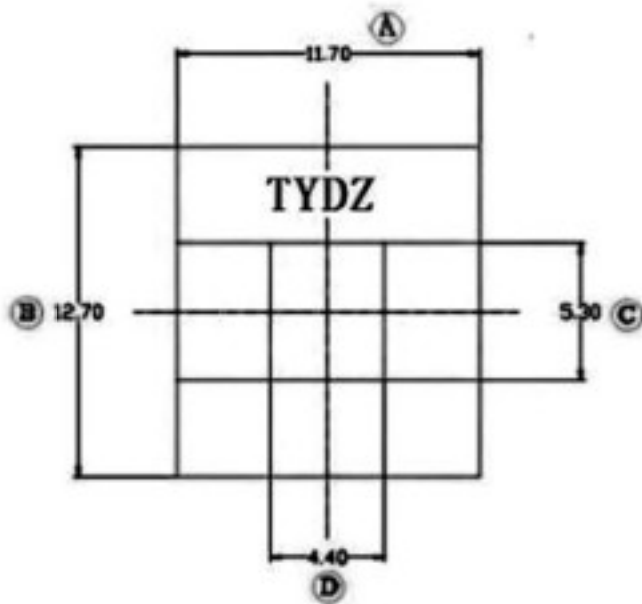
MM

DATE

2015.11.14

(TYPE)

052050161041101



### Self Electronic

MODEL

E16/7/5

2+2

MATERIAL

PHENOLIC

TEL

021-66745473  
021-66716806

TOLERANCE

SCALE

DRAW BY

FAX

021-66742368

 $0 < L \leq 4 \quad \pm 0.1$   
 $4 < L \leq 16 \quad \pm 0.2$ 

4/1

CHECK BY

WEBSITE

selfelectronic.com

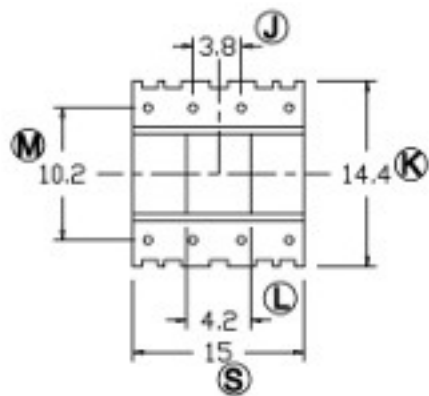
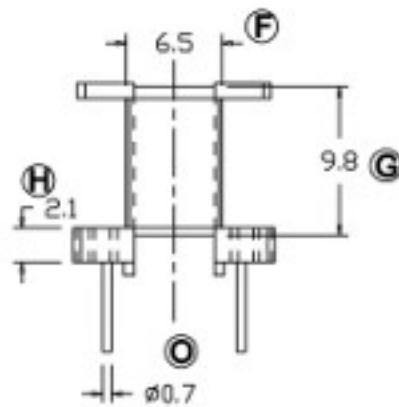
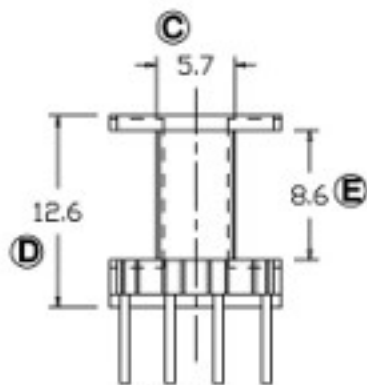
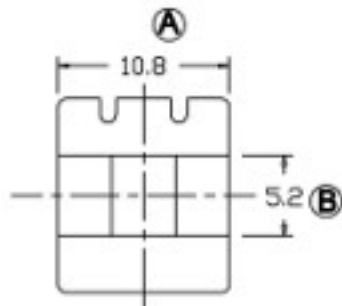
 $16 < L \leq 63 \quad \pm 0.3$   
 Pin pitch  $\pm 0.2$ 

UNIT

MM

DATE

2014.10.18



### Self Electronic

MODEL

E16/7/5

4+4

MATERIAL

PHENOLIC

TEL

021-66745473  
021-66716806

TOLERANCE

SCALE

DRAW BY

FAX

021-66742368

0 &lt; L ≤ 4 ±0.1

4 &lt; L ≤ 16 ±0.2

16 &lt; L ≤ 63 ±0.3

Pin pitch ±0.2

4/1

CHECK BY

WEBSITE

selfelectronic.com

UNIT

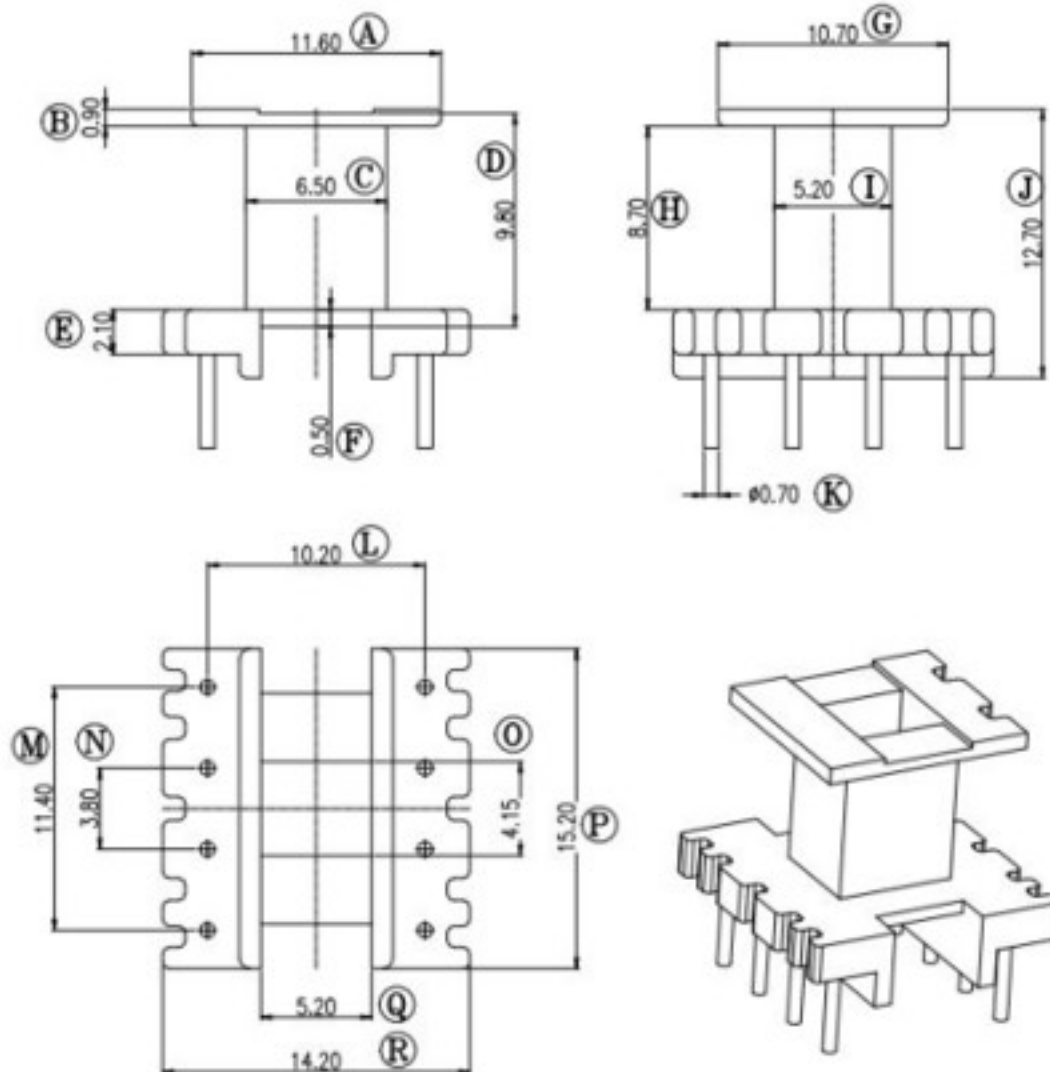
MM

DATE

2014.10.18

(TYPE)

009050161081001



**Self  
Electronic**

MODEL

E16/7/5

4+4

MATERIAL

PHENOLIC

TEL

021-66745473  
021-66716806

TOLERANCE

SCALE

DRAW BY

FAX

021-66742368

0 &lt; L ≤ 4 ±0.1

4 &lt; L ≤ 16 ±0.2

16 &lt; L ≤ 63 ±0.3

Pin pitch ±0.2

4/1

CHECK BY

WEBSITE

selfelectronic.com

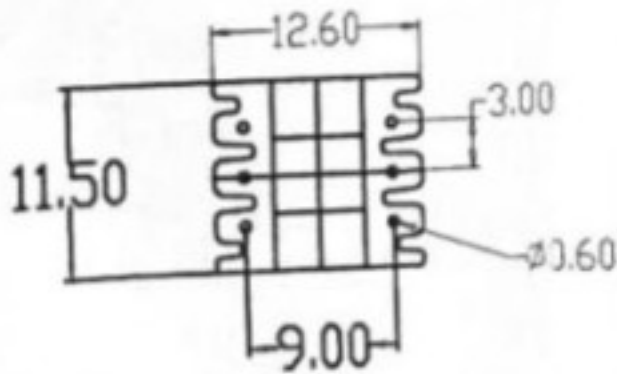
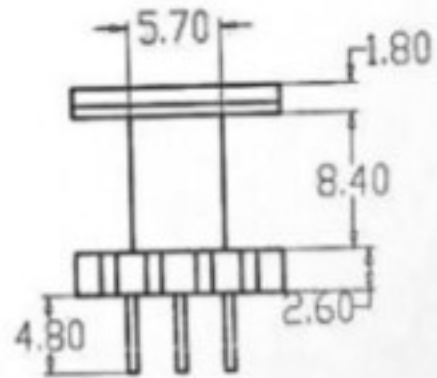
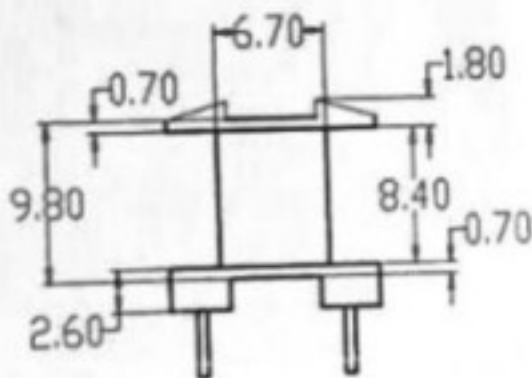
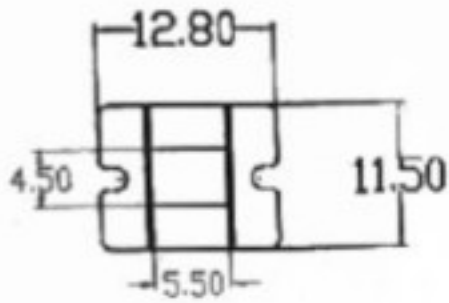
UNIT

MM

DATE

2014.10.18

(TYPE) 002050161061001



**Self  
Electronic**

MODEL E16/7/5 3+3

MATERIAL PHENOLIC

TEL 021-66745473  
021-66716806

TOLERANCE

SCALE DRAW BY

FAX 021-66742368

0 < L ≤ 4 ±0.1  
4 < L ≤ 16 ±0.2

4/1

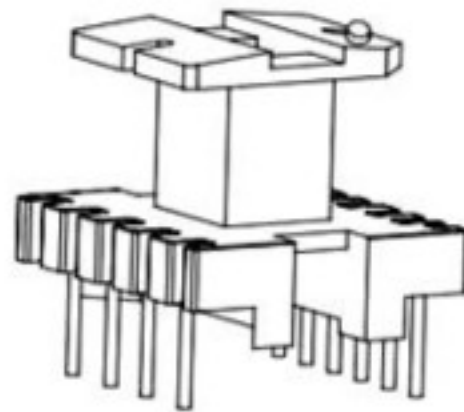
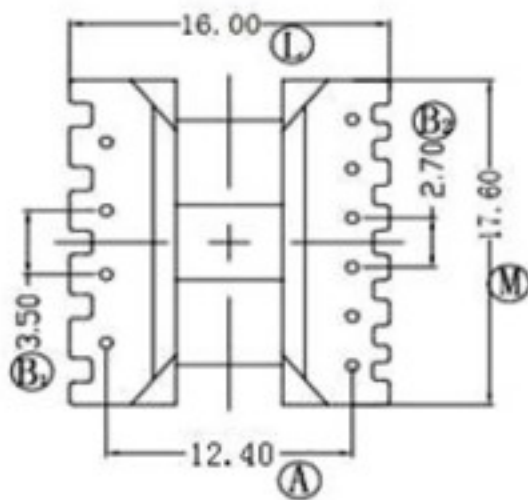
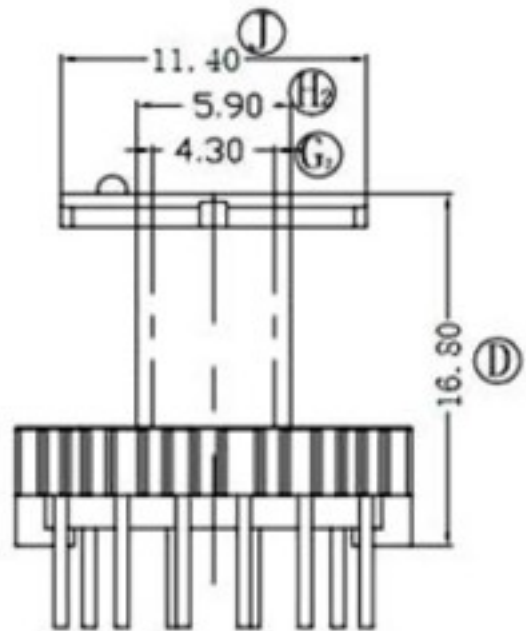
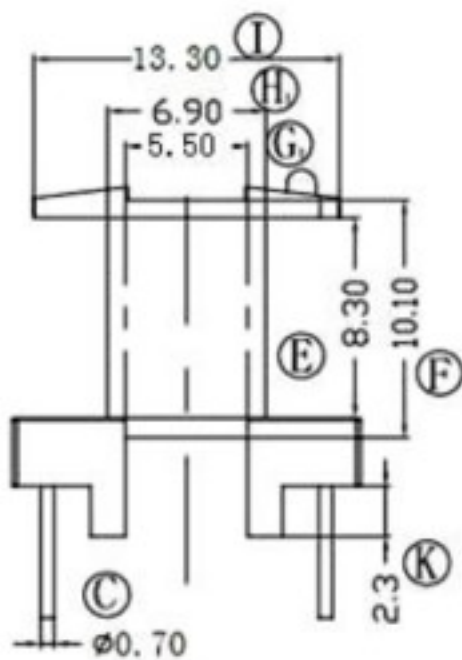
CHECK BY

WEBSITE selfelectronic.com

16 < L ≤ 63 ±0.3  
Pin pitch ±0.2

UNIT MM DATE 2014.10.18

(TYPE) 004050161101101



**Self Electronic**

MODEL E16/7/5 4+6

MATERIAL PHENOLIC

TEL 021-66745473  
021-66716806

TOLERANCE

SCALE

DRAW BY

FAX 021-66742368

0 < L ≤ 4 ±0.1  
4 < L ≤ 16 ±0.2

4/1

CHECK BY

WEBSITE selfelectronic.com

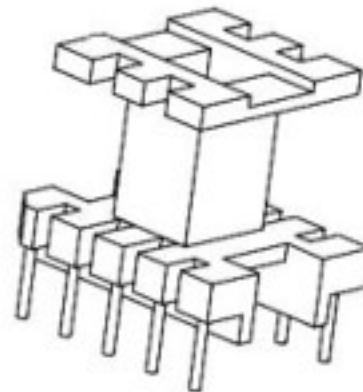
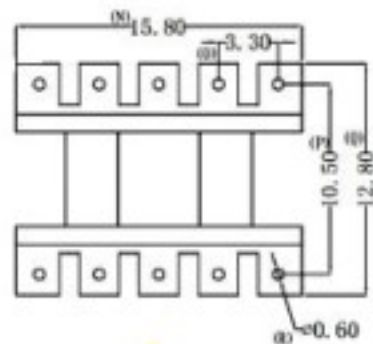
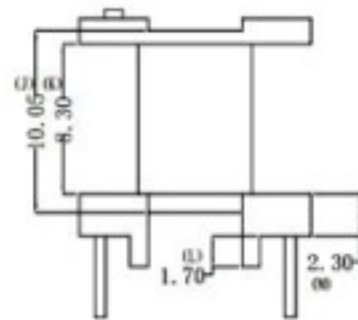
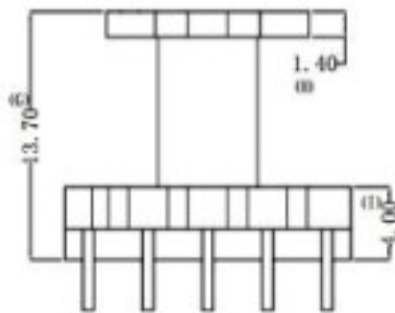
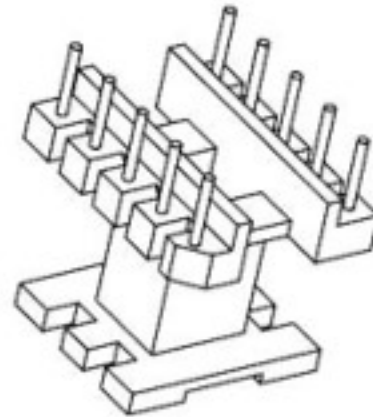
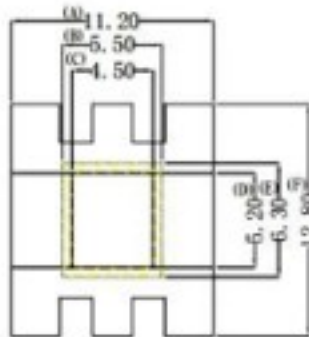
16 < L ≤ 63 ±0.3  
Pin pitch ±0.2

UNIT MM DATE 2014.10.18



(TYPE)

029050161101001



**Self  
Electronic**

MODEL

E16/7/5

5+5

MATERIAL

PHENOLIC

TEL

021-66745473  
021-66716806

TOLERANCE

SCALE

DRAW BY

FAX

021-66742368

 $0 < L \leq 4$   $\pm 0.1$   
 $4 < L \leq 16$   $\pm 0.2$ 

4/1

CHECK BY

WEBSITE

selfelectronic.com

 $16 < L \leq 63$   $\pm 0.3$   
 Pin pitch  $\pm 0.2$ 

UNIT

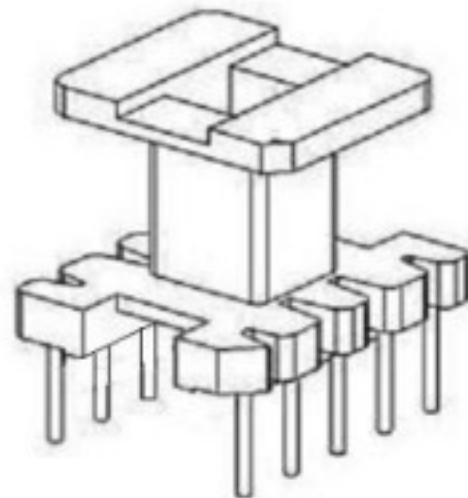
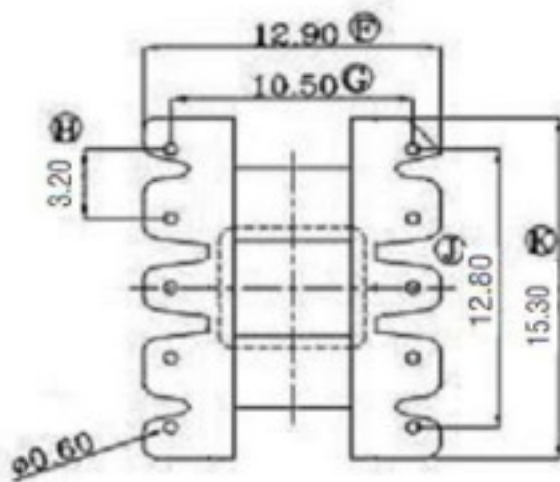
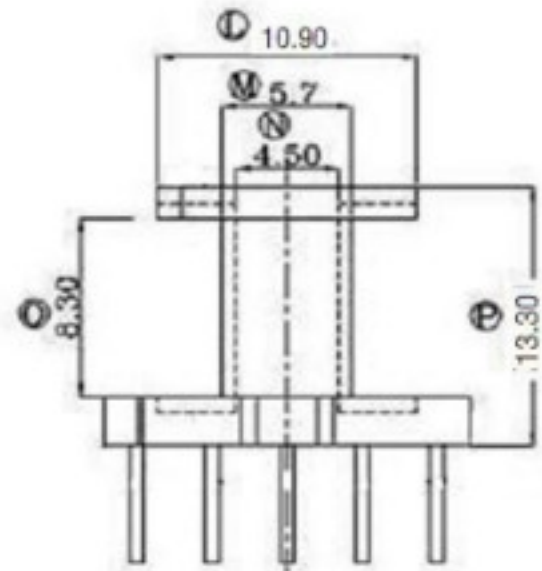
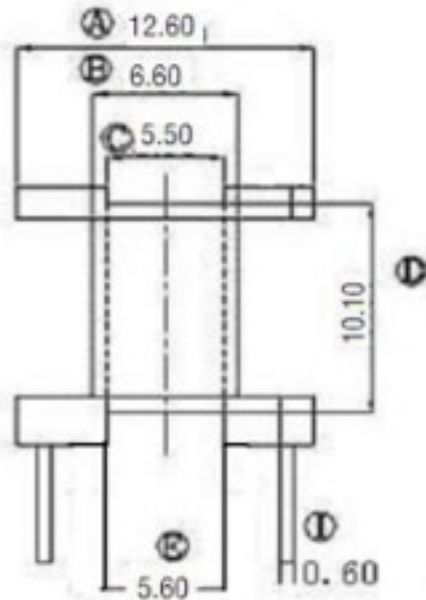
MM

DATE

2014.10.18

(TYPE)

002050161101001



### Self Electronic

MODEL

E16/7/5 5+5

MATERIAL

PHENOLIC

TEL

021-66745473  
021-66716806

TOLERANCE

SCALE

DRAW BY

FAX

021-66742368

 $0 < L \leq 4 \quad \pm 0.1$   
 $4 < L \leq 16 \quad \pm 0.2$ 

4/1

CHECK BY

WEBSITE

selfelectronic.com

 $16 < L \leq 63 \quad \pm 0.3$   
 Pin pitch  $\pm 0.2$ 

UNIT

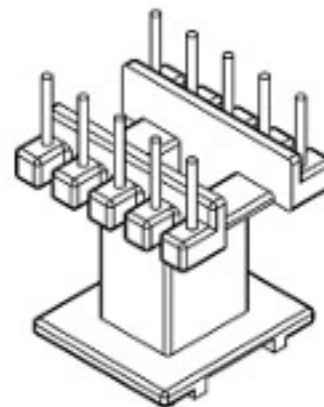
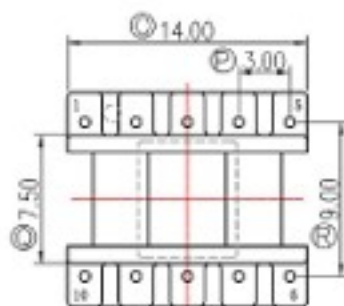
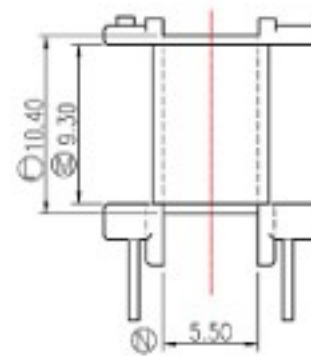
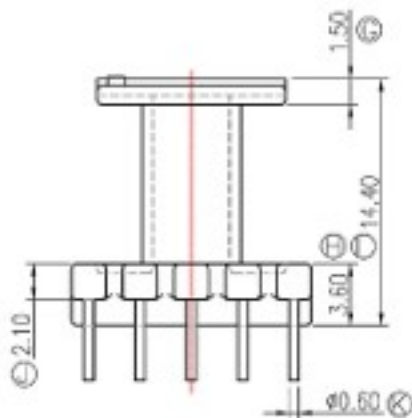
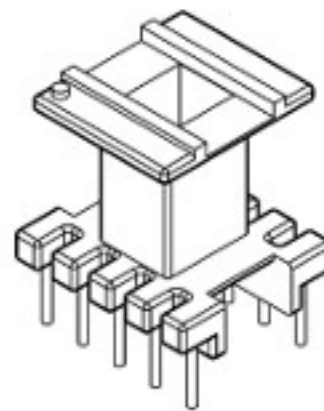
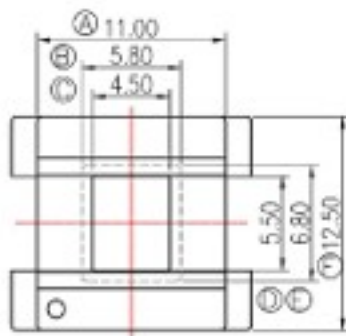
MM

DATE

2014.10.18

(TYPE)

081050161101101



**Self  
Electronic**

MODEL

E16/7/5

MATERIAL

PHENOLIC

TEL

021-66745473  
021-66716806

TOLERANCE

SCALE

DRAW BY

FAX

021-66742368

 $0 < L \leq 4 \quad \pm 0.1$   
 $4 < L \leq 16 \quad \pm 0.2$   
 $16 < L \leq 63 \quad \pm 0.3$   
 Pin pitch  $\pm 0.2$ 

4/1

CHECK BY

WEBSITE

selfelectronic.com

UNIT

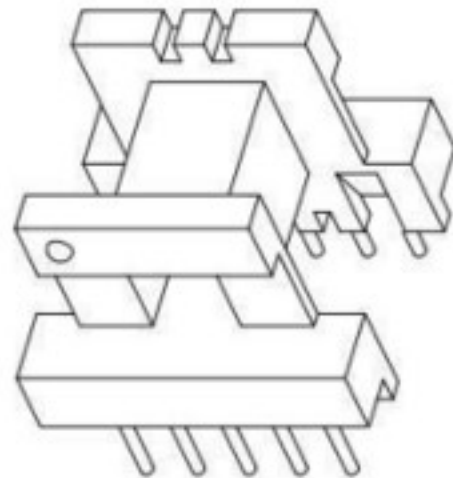
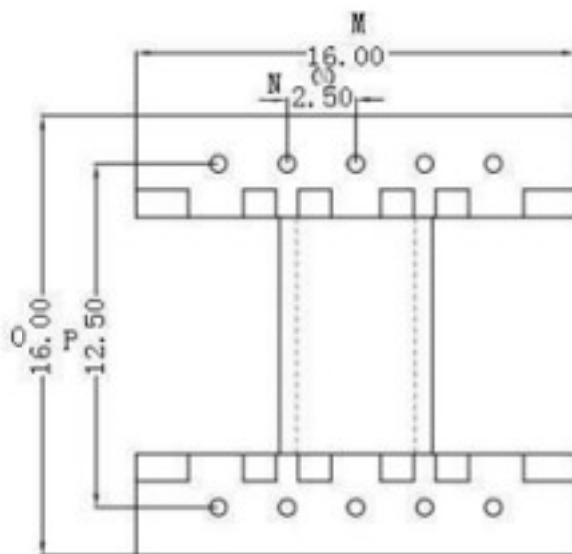
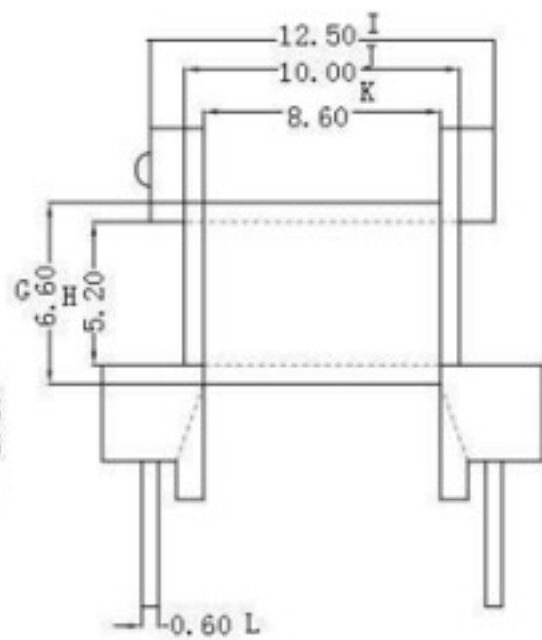
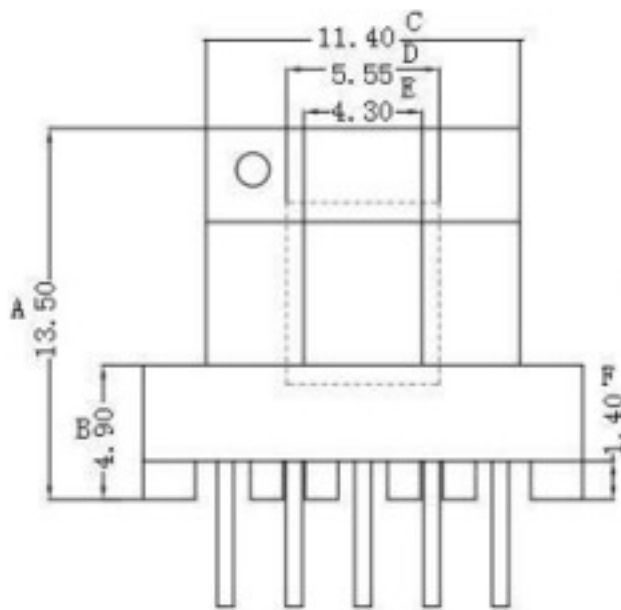
MM

DATE

2014.10.18

(TYPE)

006050162101107



### Self Electronic

MODEL

E16/7/5 5+5  
12.5mm

MATERIAL

PHENOLIC

TEL

021-66745473  
021-66716806

TOLERANCE

SCALE

DRAW BY

FAX

021-66742368

 $0 < L \leq 4 \quad \pm 0.1$   
 $4 < L \leq 16 \quad \pm 0.2$ 

4/1

CHECK BY

WEBSITE

selfelectronic.com

 $16 < L \leq 63 \quad \pm 0.3$   
 Pin pitch  $\pm 0.2$ 

UNIT

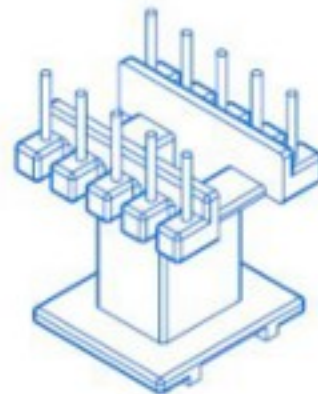
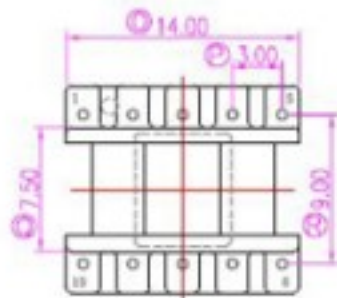
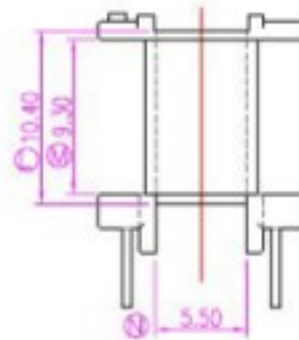
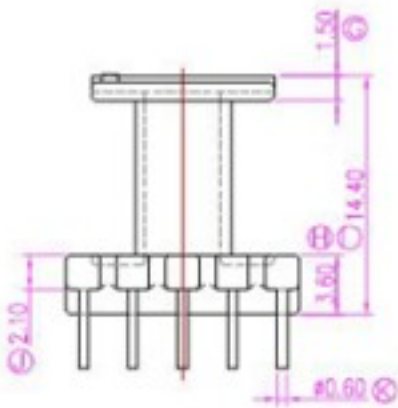
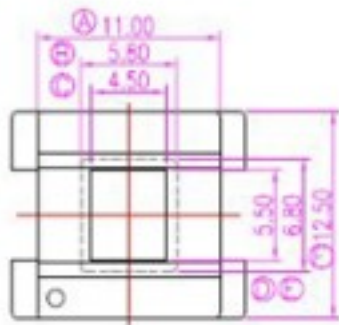
MM

DATE

2014.10.18

(TYPE)

081050161101101



**Self Electronic**

MODEL

E16/7/5

MATERIAL

PHENOLIC

TEL

021-66745473  
021-66716806

TOLERANCE

SCALE

DRAW BY

FAX

021-66742368

0 < L ≤ 4 ±0.1  
4 < L ≤ 16 ±0.2

4/1

CHECK BY

WEBSITE

selfelectronic.com

16 < L ≤ 63 ±0.3  
Pin pitch ±0.2

UNIT

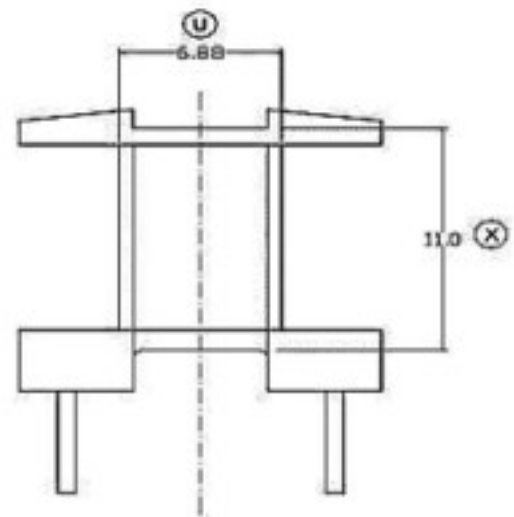
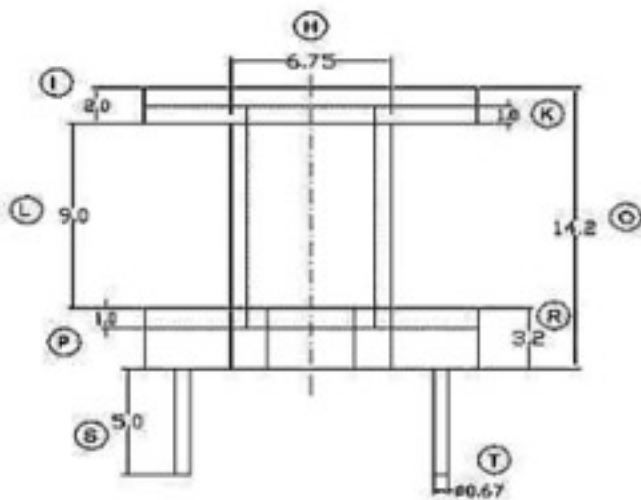
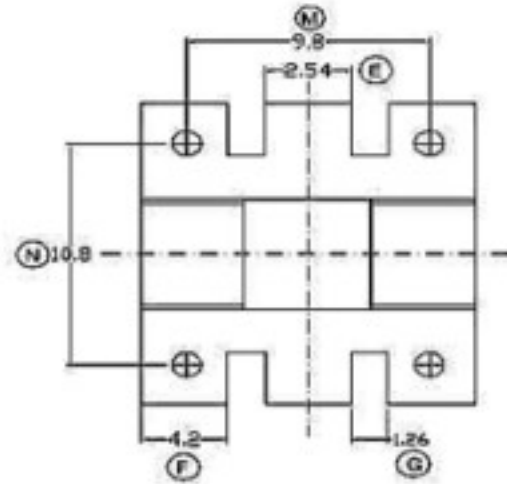
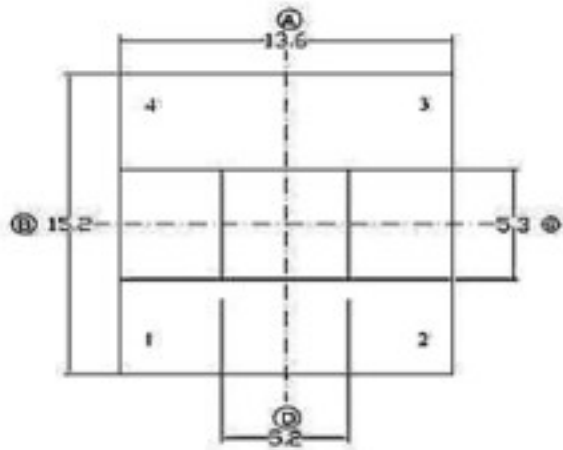
MM

DATE

2014.10.18

(TYPE)

004050191041101



### Self Electronic

MODEL

E19/8/5 2+2

MATERIAL

PHENOLIC

TEL

021-66745473  
021-66716806

TOLERANCE

SCALE

DRAW BY

FAX

021-66742368

0 &lt; L ≤ 4 ±0.1

4 &lt; L ≤ 16 ±0.2

16 &lt; L ≤ 63 ±0.3

Pin pitch ±0.2

4/1

CHECK BY

WEBSITE

selfelectronic.com

UNIT

MM

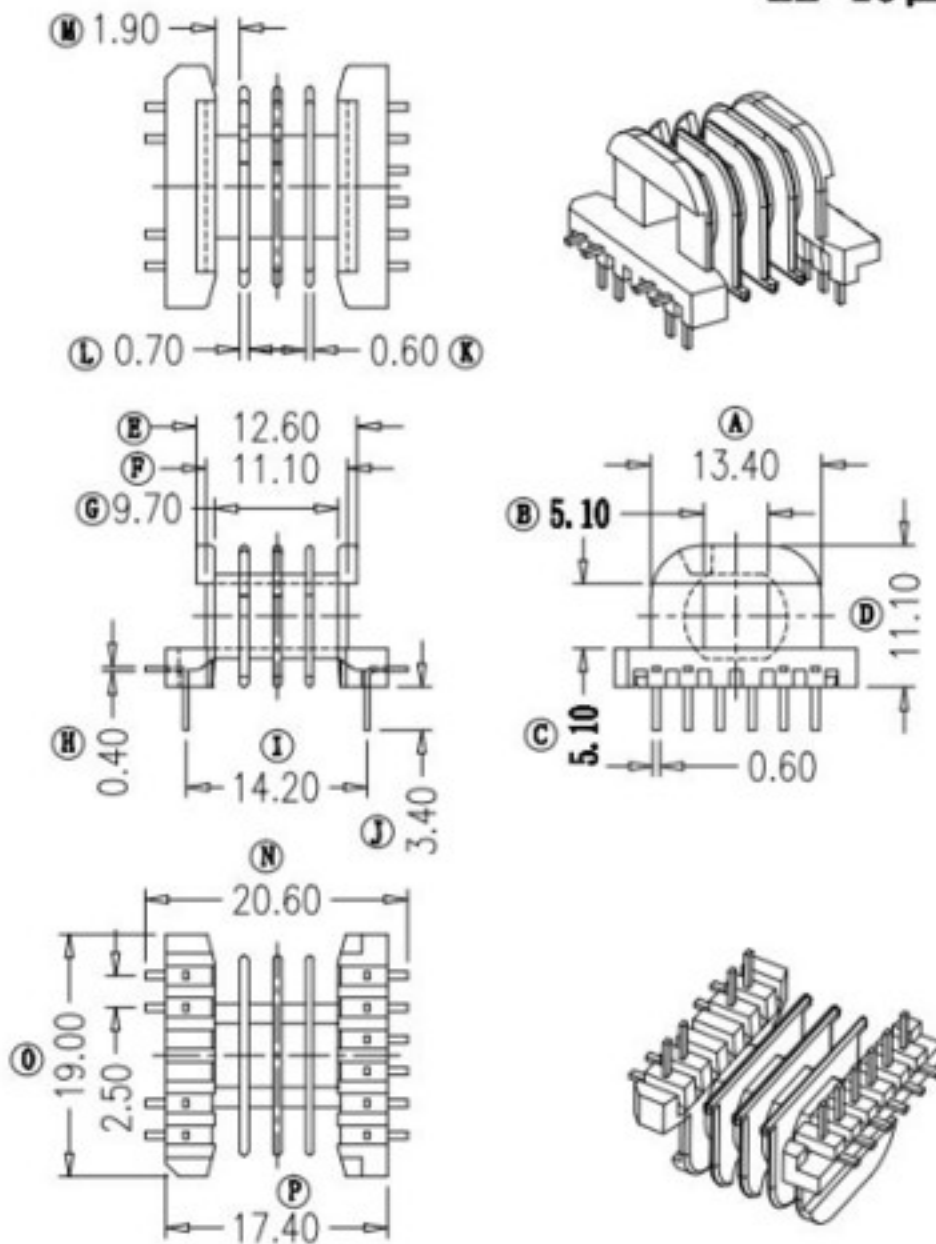
DATE

2014.10.18

(TYPE)

007050192104101

## EE-19四槽



**Self  
Electronic**

MODEL  
NAMEE19 4+6  
SMD

MATERIAL

PHENOLIC

TEL

021-66745473  
021-66716806

TOLERANCE

SCALE

DRAW BY

FAX

021-66742368

 $0 < L \leq 4 \quad \pm 0.1$   
 $4 < L \leq 16 \quad \pm 0.2$   
 $16 < L \leq 63 \quad \pm 0.3$   
 Pin pitch  $\pm 0.2$ 

4/1

CHECK BY

WEBSITE

selfelectronic.com

UNIT

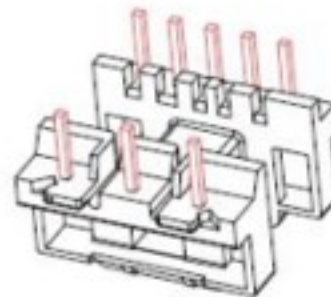
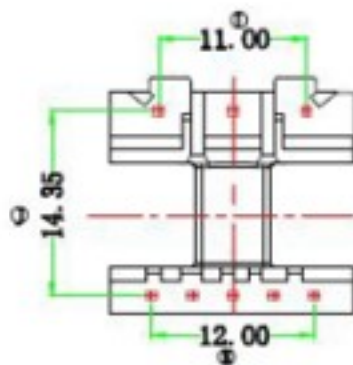
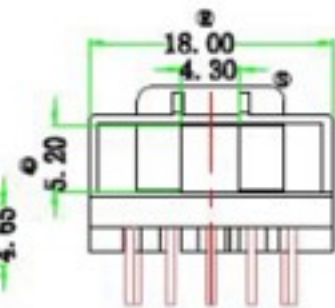
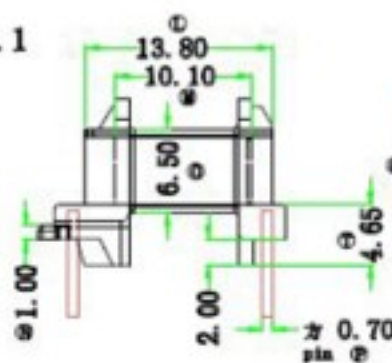
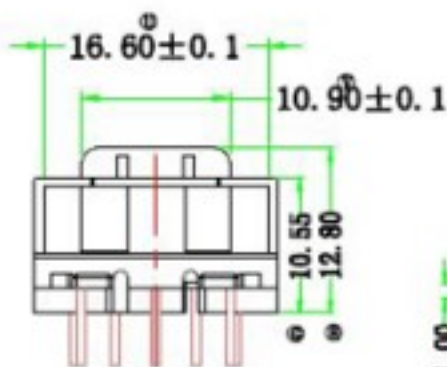
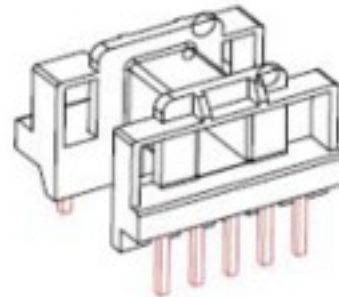
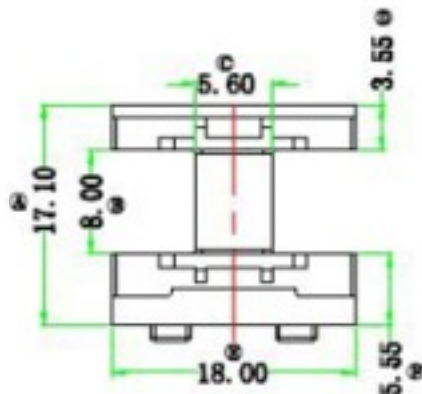
MM

DATE

2015.11.16

(TYPE)

081050162081001



**Self  
Electronic**

MODEL

E16/7/5 5+3

MATERIAL

PHENOLIC

TEL

021-66745473  
021-66716806

TOLERANCE

0 < L ≤ 4 ±0.1  
4 < L ≤ 16 ±0.2  
16 < L ≤ 63 ±0.3  
Pin pitch ±0.2

SCALE

DRAW BY

FAX

021-66742368

4/1

CHECK BY

WEBSITE

selfelectronic.com

UNIT

MM

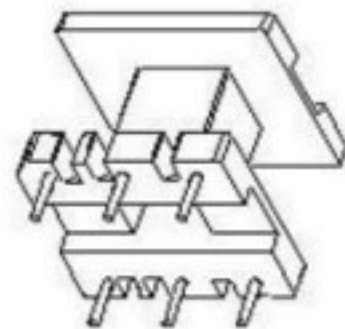
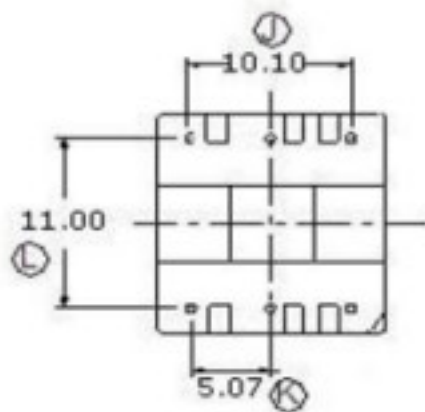
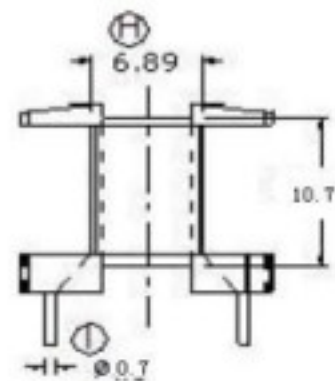
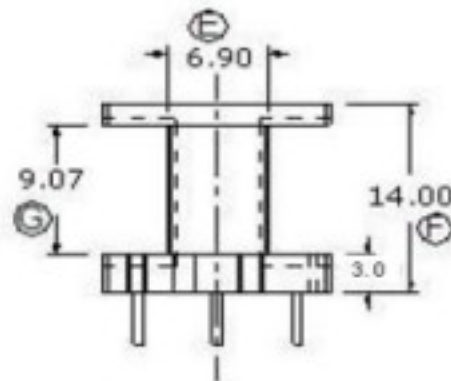
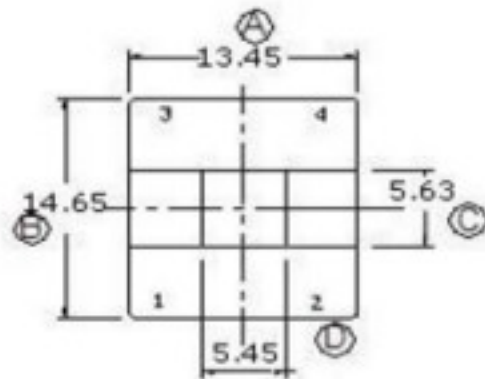
DATE

2014.10.18



(TYPE)

004050191061001



### Self Electronic

MODEL

E19/8/5 3+3

MATERIAL

PHENOLIC

TEL

021-66745473  
021-66716806

TOLERANCE

SCALE

DRAW BY

FAX

021-66742368

0 &lt;math&gt;L \le 4&lt;/math&gt; ±0.1

4 &lt;math&gt;L \le 16&lt;/math&gt; ±0.2

16 &lt;math&gt;L \le 63&lt;/math&gt; ±0.3

Pin pitch ±0.2

4/1

CHECK BY

WEBSITE

selfelectronic.com

UNIT

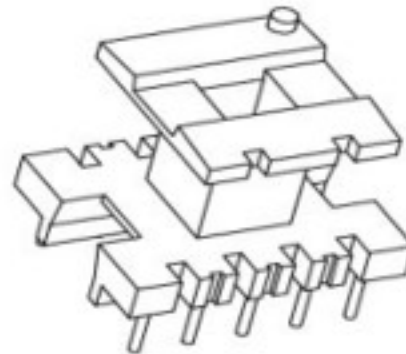
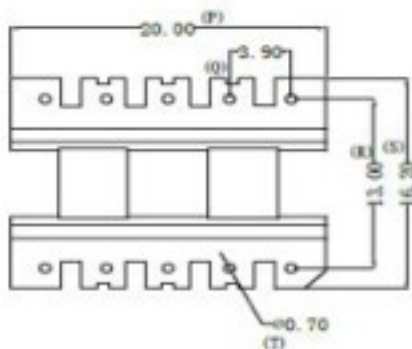
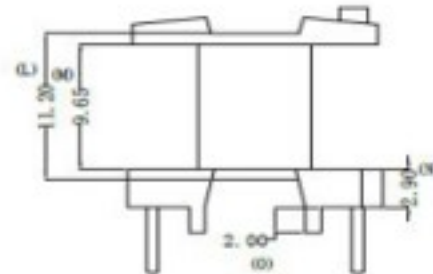
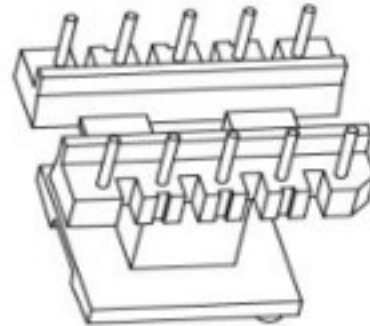
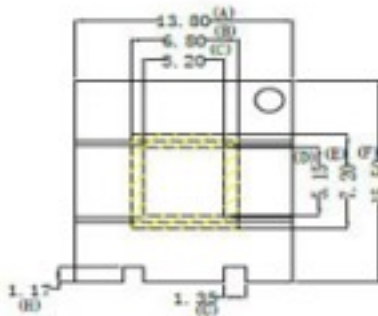
MM

DATE

2014.10.18

(TYPE)

029050191101001



**Self  
Electronic**

MODEL

E19/8/5 5+5

MATERIAL

PHENOLIC

TEL

021-66745473  
021-66716806

TOLERANCE

SCALE

DRAW BY

FAX

021-66742368

0 &lt; L ≤ 4 ±0.1

4 &lt; L ≤ 16 ±0.2

16 &lt; L ≤ 63 ±0.3

Pin pitch ±0.2

4/1

CHECK BY

WEBSITE

selfelectronic.com

UNIT

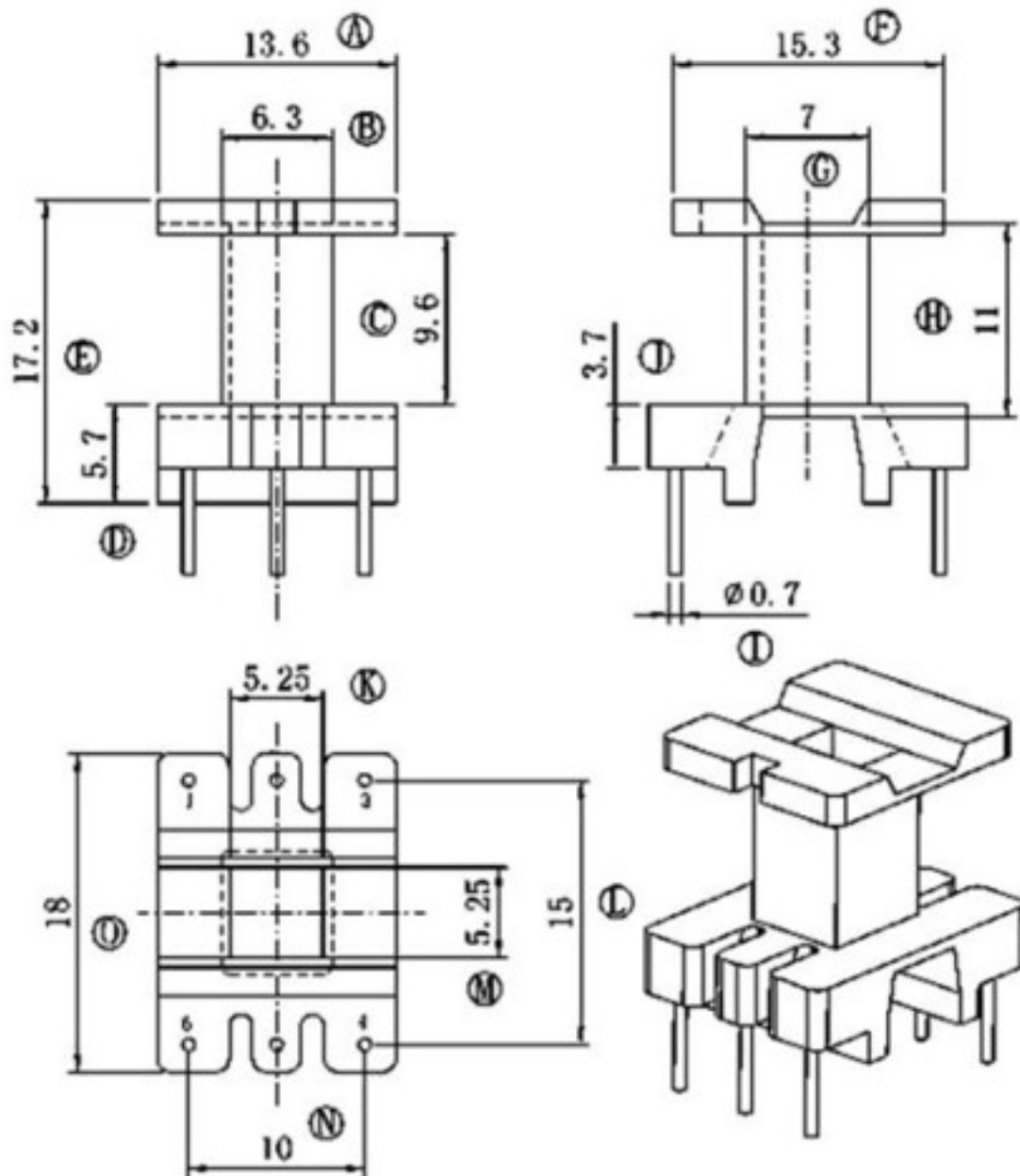
MM

DATE

2014.10.10

(TYPE)

010050191061102



**Self  
Electronic**

MODEL	E19/8/5	3+3
NAME	15mm	5mm
MATERIAL	PHENOLIC	

TEL	021-66745473 021-66716806
-----	------------------------------

TOLERANCE	
-----------	--

SCALE	DRAW BY
-------	---------

FAX	021-66742368
-----	--------------

$0 < L \leq 4$	$\pm 0.1$
$4 < L \leq 16$	$\pm 0.2$
$16 < L \leq 63$	$\pm 0.3$
Pin pitch	$\pm 0.2$

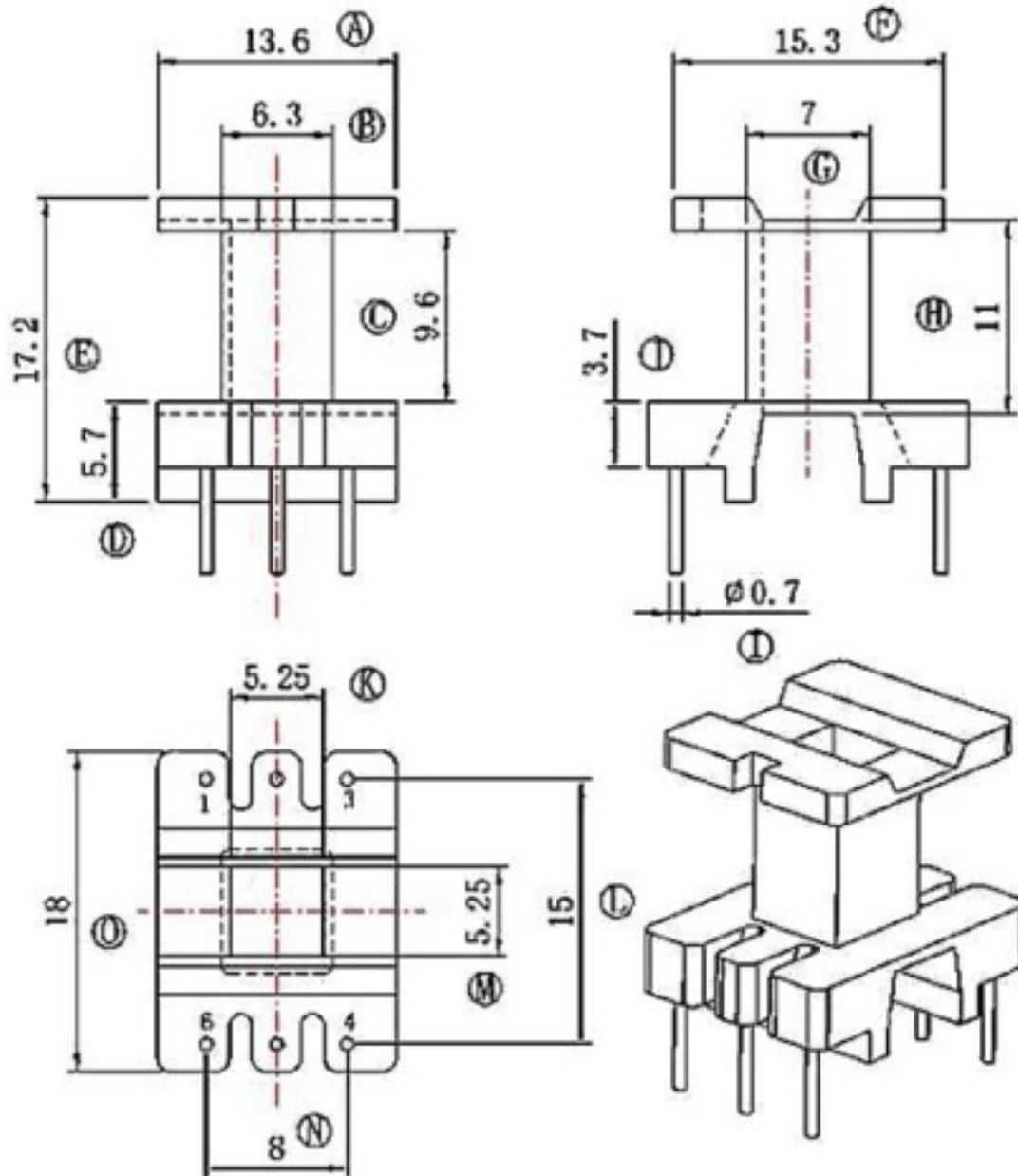
4/1	CHECK BY
-----	----------

WEBSITE	selfelectronic.com
---------	--------------------

UNIT	MM	DATE	2014.10.18
------	----	------	------------

型号 (TYPE)

010050191061101



**Self  
Electronic**

MODEL	E19/8/5	3+3
NAME	15mm	4mm
MATERIAL	PHENOLIC	

SCALE DRAW BY

TEL 021-66745473  
021-66716806

TOLERANCE

FAX 021-66742368

$0 < L \leq 4$   $\pm 0.1$   
 $4 < L \leq 16$   $\pm 0.2$

4/1

CHECK BY

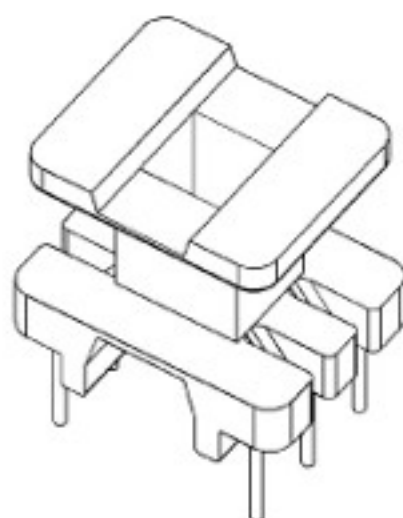
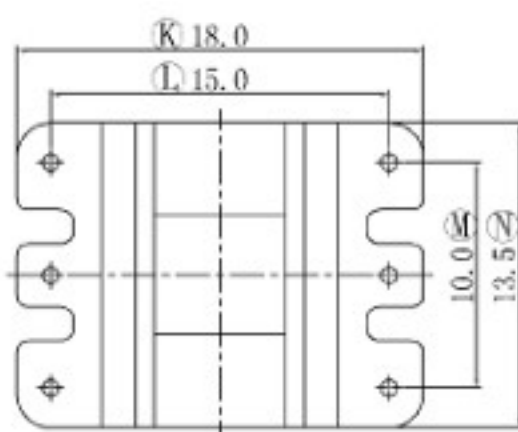
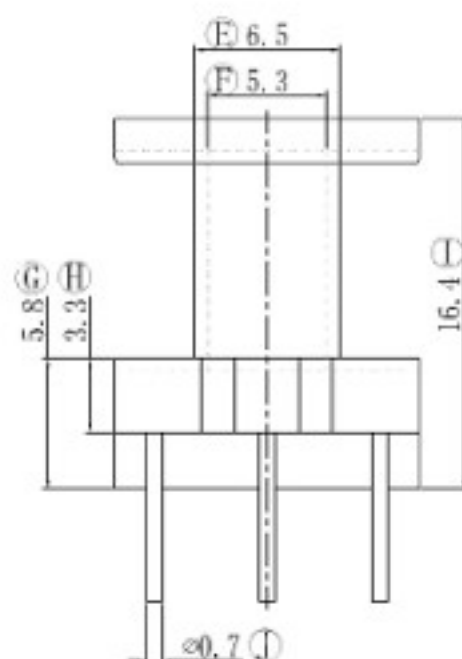
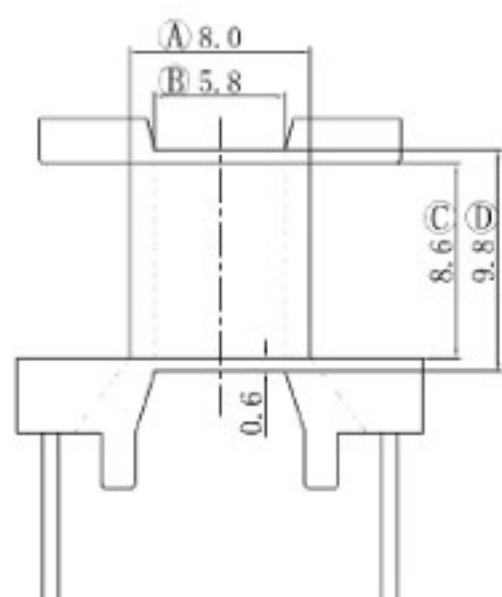
WEBSITE selfelectronic.com

$16 < L \leq 63$   $\pm 0.3$   
Pin pitch  $\pm 0.2$

UNIT MM DATE 2014.10.18

型号 (TYPE)

011050191061101



**Self  
Electronic**

MODEL	E19/8/5 3+3
NAME	15mm 5mm
MATERIAL	PHENOLIC

SCALE	DRAW BY		
4/1	CHECK BY		
UNIT	MM	DATE	2014.10.18

TEL 021-66745473  
021-66716806

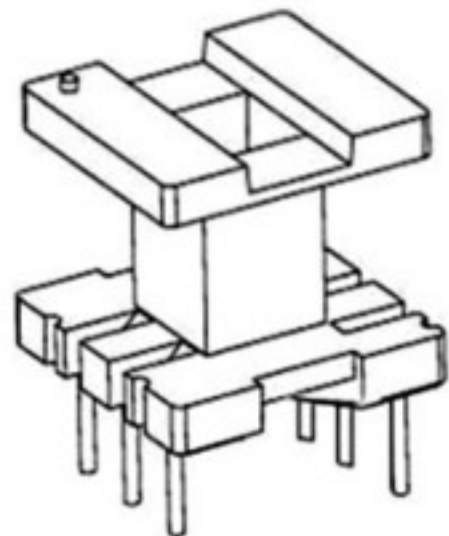
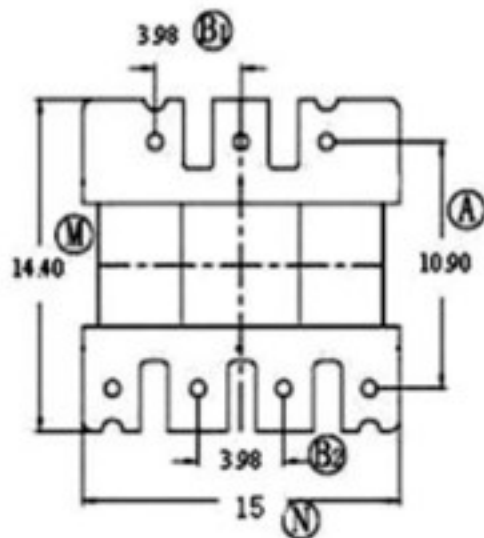
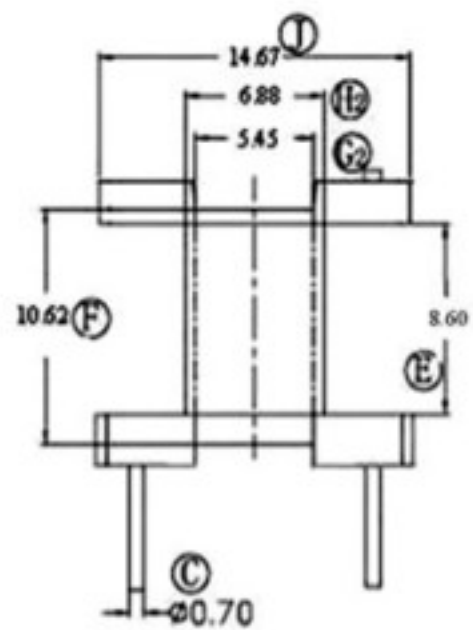
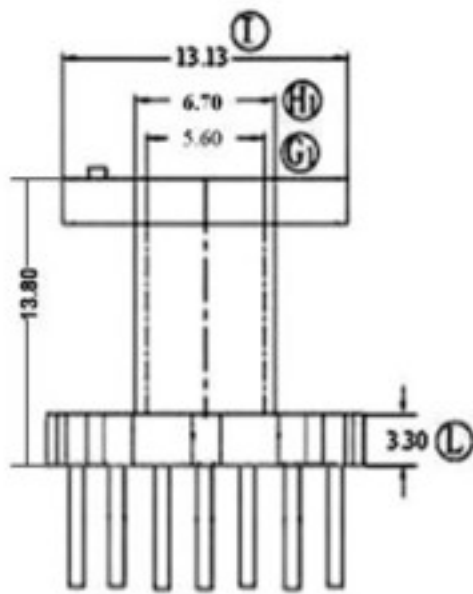
TOLERANCE

FAX 021-66742368

0 < L ≤ 4 ±0.1  
4 < L ≤ 16 ±0.2  
16 < L ≤ 63 ±0.3  
Pin pitch ±0.2

WEBSITE selfelectronic.com

(TYPE) 004050191071101



### Self Electronic

MODEL E19/8/5 3+4

MATERIAL PHENOLIC

TEL 021-66745473  
021-66716806

TOLERANCE

SCALE DRAW BY

FAX 021-66742368

0 &lt; L ≤ 4 ±0.1

4 &lt; L ≤ 16 ±0.2

16 &lt; L ≤ 63 ±0.3

Pin pitch ±0.2

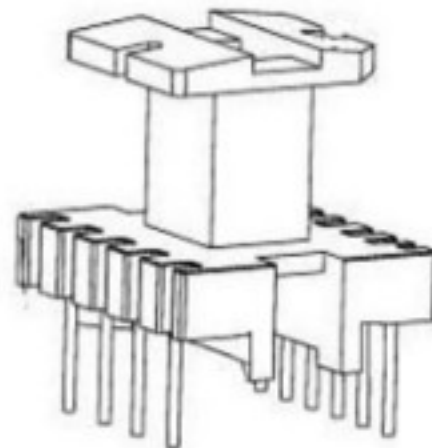
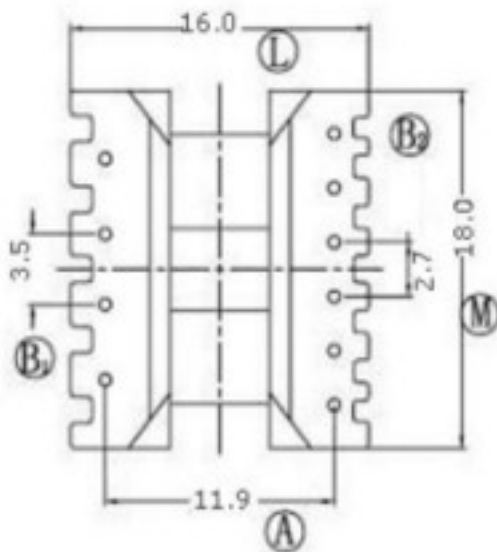
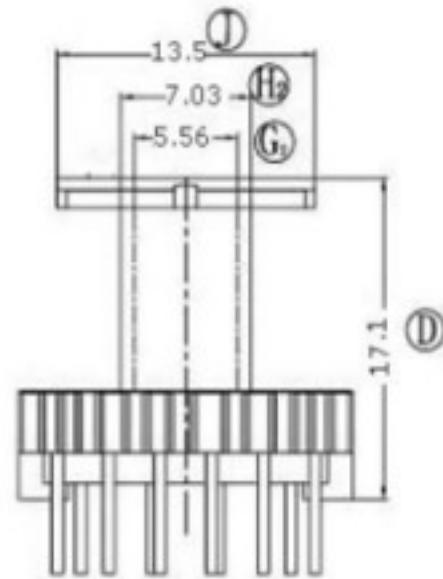
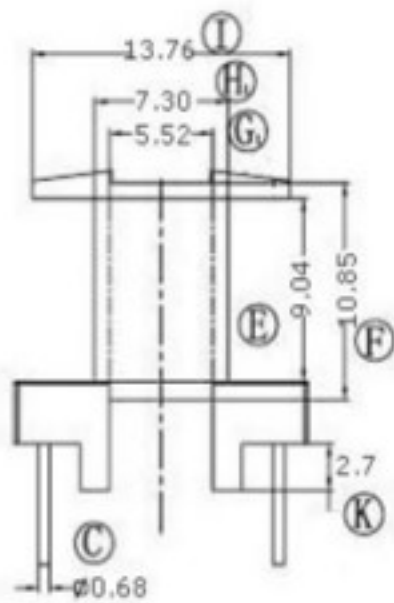
4/1 CHECK BY

WEBSITE selfelectronic.com

UNIT MM DATE 2014.10.18

(TYPE)

004050191101101



**Self Electronic**

MODEL

E19/8/5 4+6

MATERIAL

PHENOLIC

TEL

021-66745473  
021-66716806

TOLERANCE

SCALE

DRAW BY

FAX

021-66742368

0 < L ≤ 4 ±0.1

4 < L ≤ 16 ±0.2

16 < L ≤ 63 ±0.3

Pin pitch ±0.2

4/1

CHECK BY

WEBSITE

selfelectronic.com

UNIT

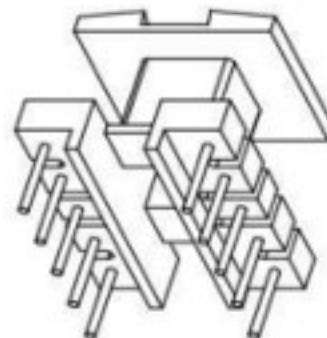
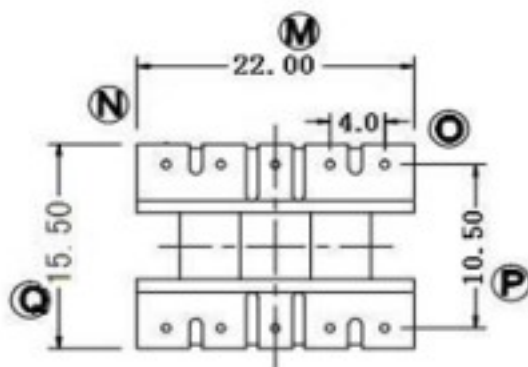
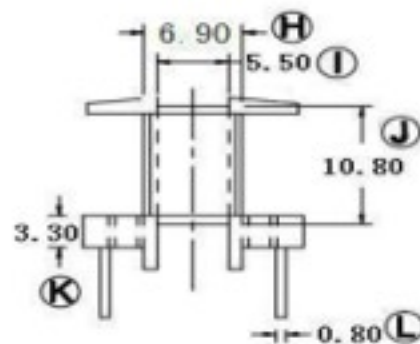
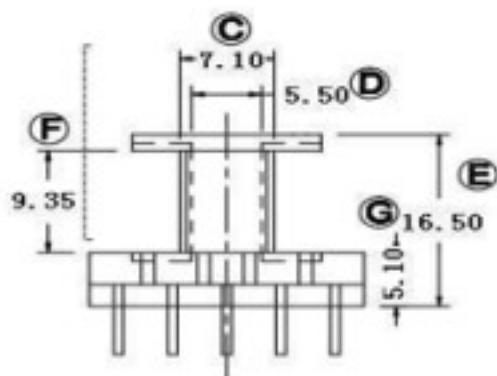
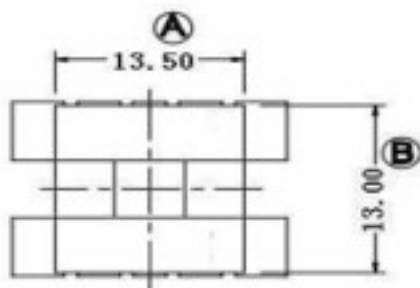
MM

DATE

2014.10.18

(TYPE)

001050191101001



### Self Electronic

MODEL

E19/8/5 5+5

MATERIAL

PHENOLIC

TEL

021-66745473  
021-66716806

TOLERANCE

SCALE

DRAW BY

FAX

021-66742368

 $0 < L \leq 4 \quad \pm 0.1$   
 $4 < L \leq 16 \quad \pm 0.2$ 

4/1

CHECK BY

WEBSITE

selfelectronic.com

 $16 < L \leq 63 \quad \pm 0.3$   
 Pin pitch  $\pm 0.2$ 

UNIT

MM

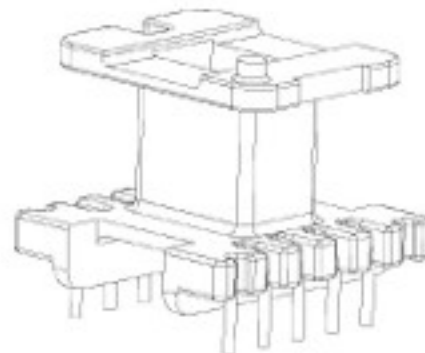
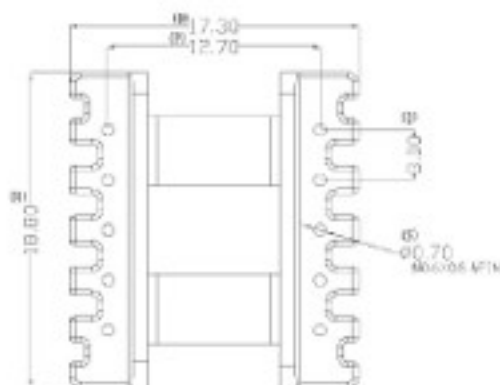
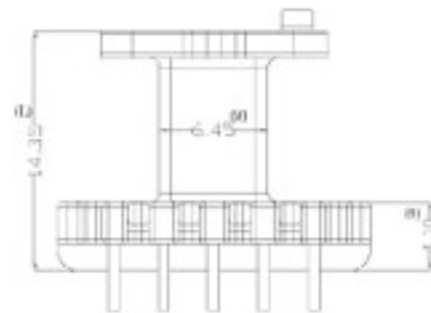
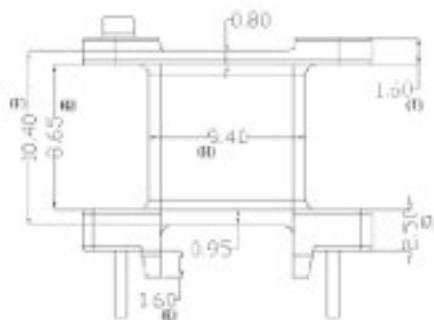
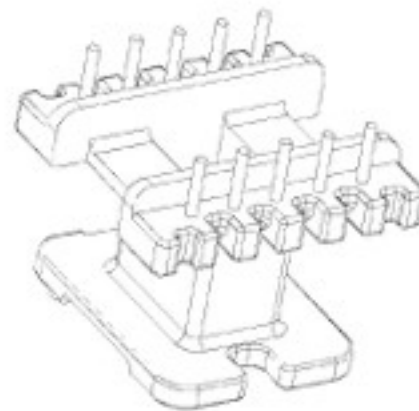
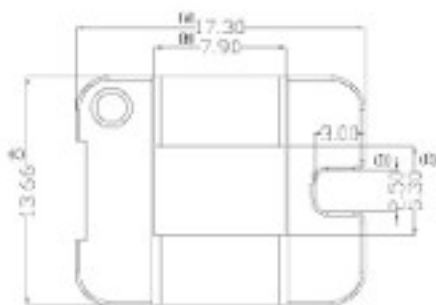
DATE

2014.10.18



(TYPE)

029050191101101



### Self Electronic

MODEL

EE19/8/7.5

5+5

MATERIAL

PHENOLIC

TEL

021-66745473  
021-66716806

TOLERANCE

SCALE

DRAW BY

FAX

021-66742368

0 < L ≤ 4 ±0.1  
4 < L ≤ 16 ±0.2  
16 < L ≤ 63 ±0.3

4/1

CHECK BY

WEBSITE

selfelectronic.com

Pin pitch ±0.2

UNIT

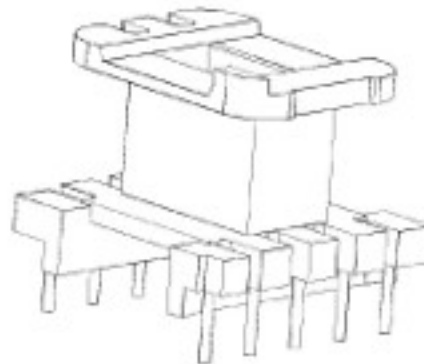
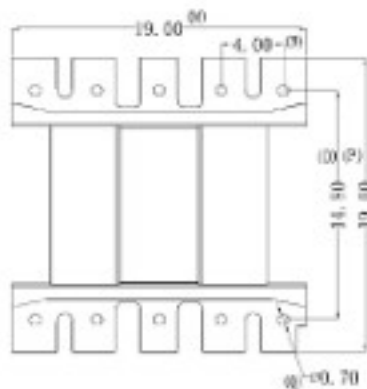
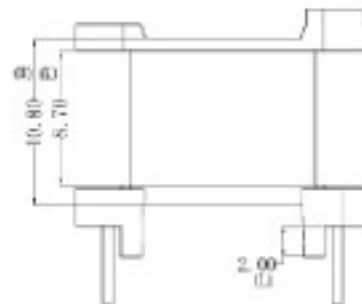
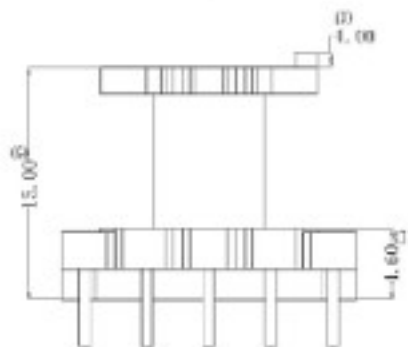
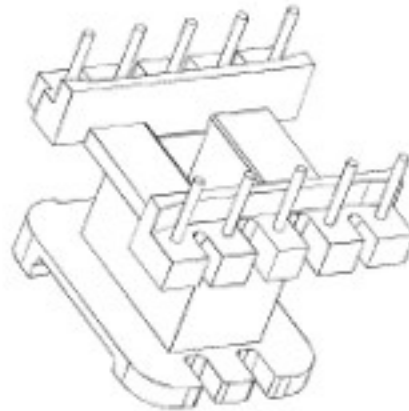
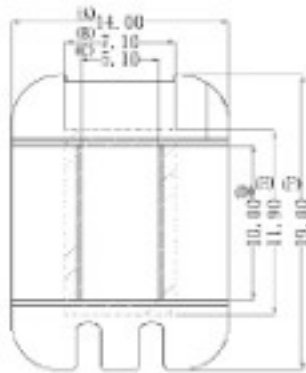
MM

DATE

2014.10.18

(TYPE)

029050191101002



### Self Electronic

MODEL

EE19/8/10

5+5

MATERIAL

PHENOLIC

TEL

021-66745473  
021-66716806

TOLERANCE

SCALE

DRAW BY

FAX

021-66742368

0 &lt; L ≤ 4 ±0.1

4 &lt; L ≤ 16 ±0.2

16 &lt; L ≤ 63 ±0.3

Pin pitch ±0.2

4/1

CHECK BY

WEBSITE

selfelectronic.com

UNIT

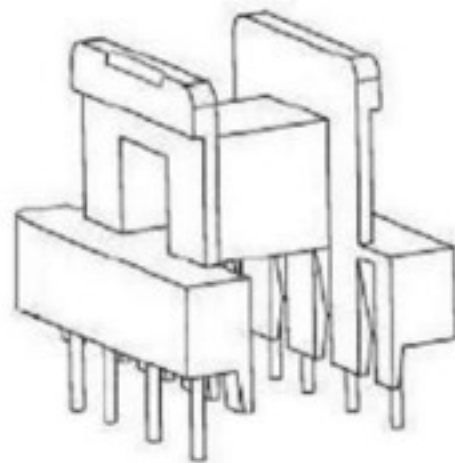
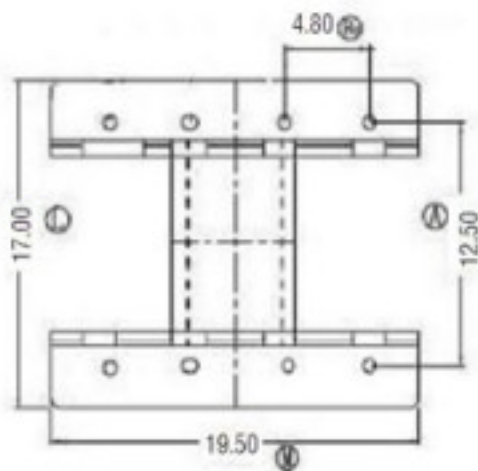
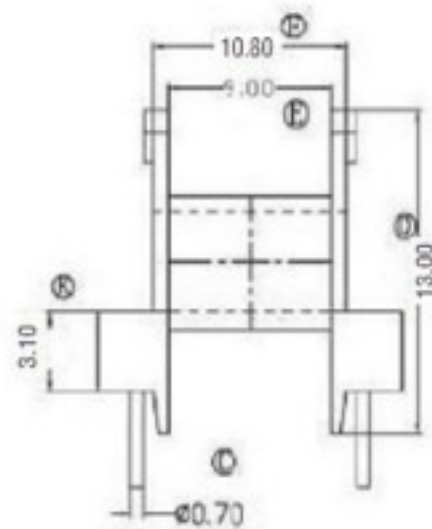
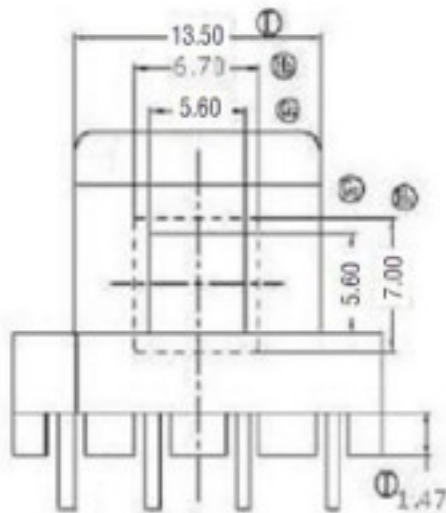
MM

DATE

2014.10.18

(TYPE)

001050192081101



### Self Electronic

MODEL

EE19/8/5

4+4

MATERIAL

PHENOLIC

TEL

021-66745473  
021-66716806

TOLERANCE

SCALE

DRAW BY

FAX

021-66742368

 $0 < L \leq 4$   $\pm 0.1$   
 $4 < L \leq 16$   $\pm 0.2$   
 $16 < L \leq 63$   $\pm 0.3$ 

4/1

CHECK BY

WEBSITE

selfelectronic.com

Pin pitch  $\pm 0.2$ 

UNIT

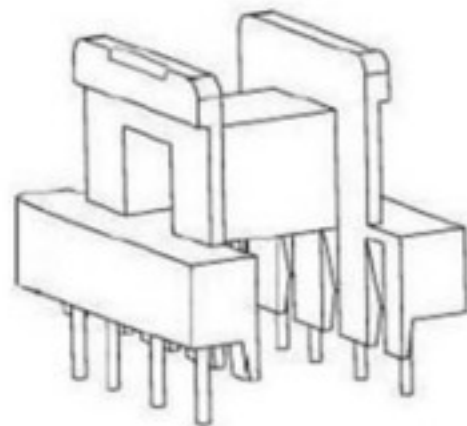
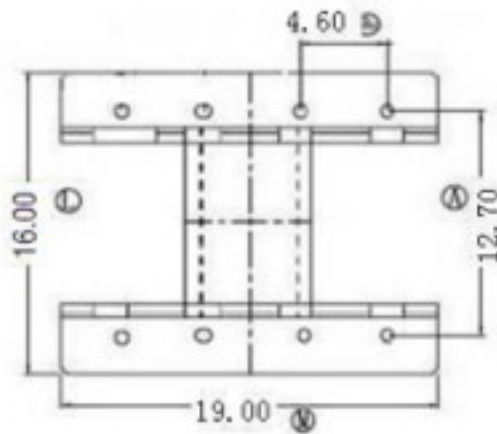
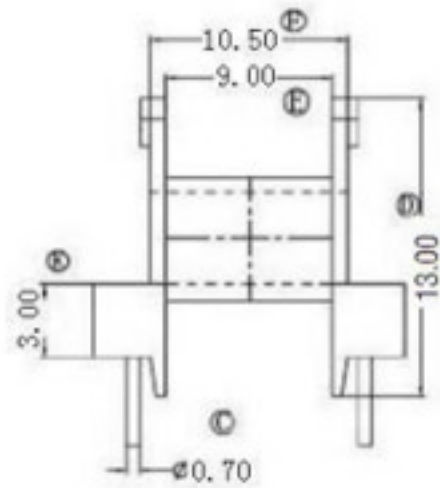
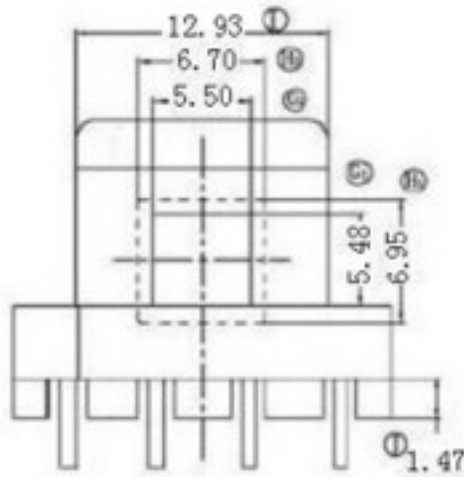
MM

DATE

2014.10.18

(TYPE)

004050192081001



**Self  
Electronic**

MODEL

E19/8/5 4+4

MATERIAL

PHENOLIC

TEL

021-66745473  
021-66716806

TOLERANCE

SCALE

DRAW BY

FAX

021-66742368

0 < L ≤ 4 ±0.1

4 < L ≤ 16 ±0.2

16 < L ≤ 63 ±0.3

Pin pitch ±0.2

4/1

CHECK BY

WEBSITE

selfelectronic.com

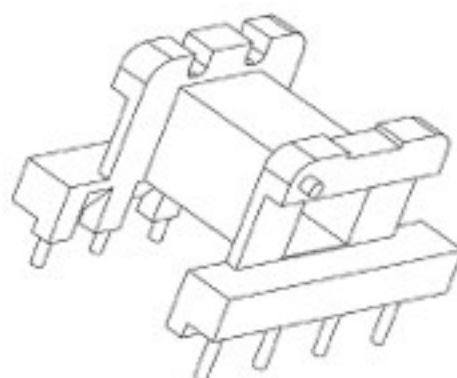
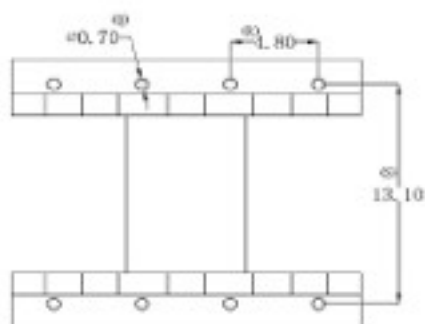
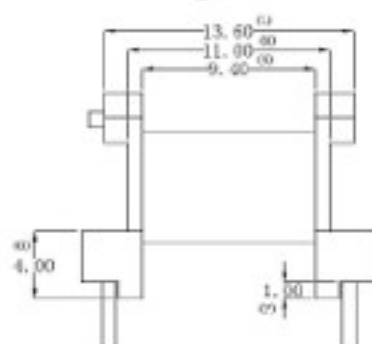
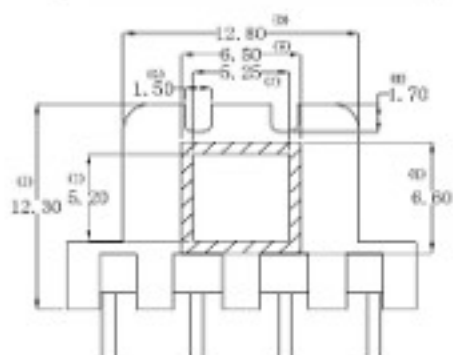
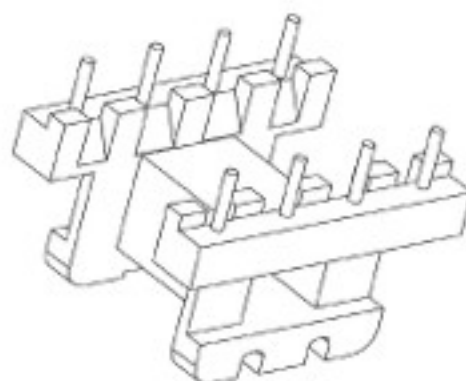
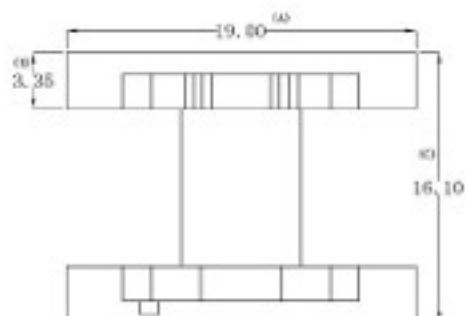
UNIT

MM

DATE

2014.10.18

(TYPE) 029050192081108



**Self  
Electronic**

MODEL E19/8/5 4+4

NAME 13mm

MATERIAL PHENOLIC

TEL 021-66745473  
021-66716806

TOLERANCE

SCALE DRAW BY

FAX 021-66742368

0 &lt; L ≤ 4 ±0.1

4 &lt; L ≤ 16 ±0.2

16 &lt; L ≤ 63 ±0.3

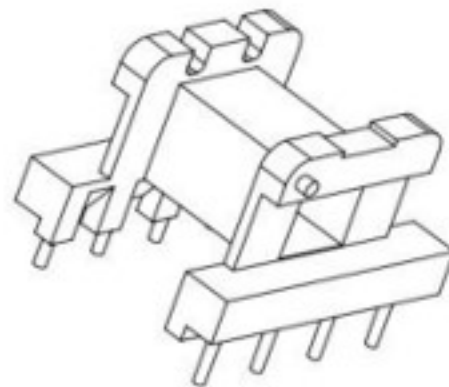
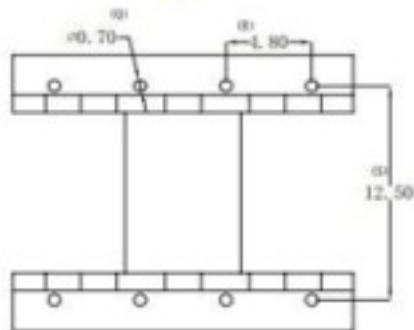
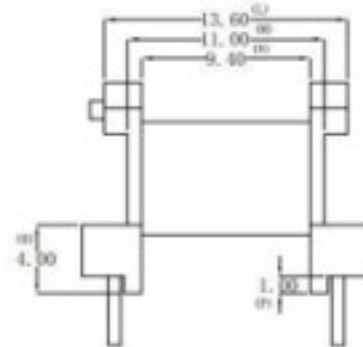
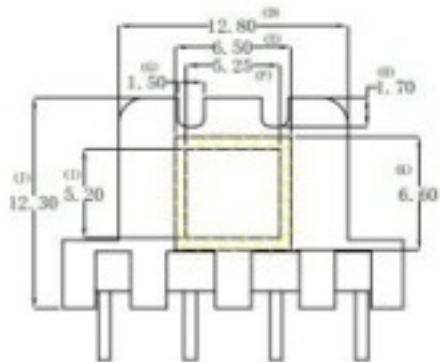
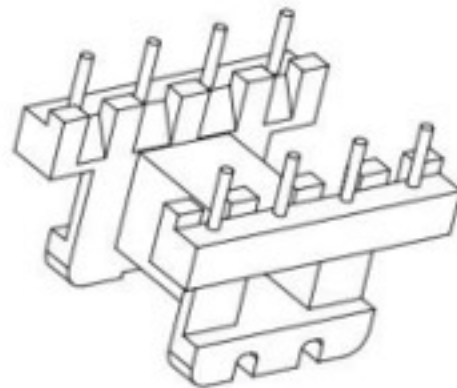
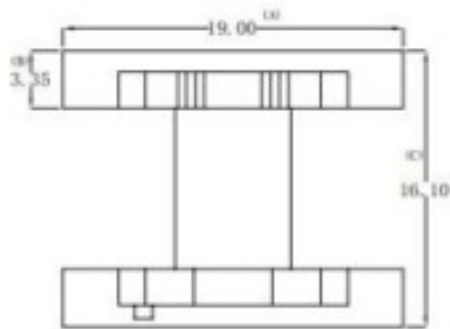
Pin pitch ±0.2

4/1 CHECK BY

WEBSITE selfelectronic.com

UNIT MM DATE 2014.10.18

(TYPE) 029050192081102



**Self  
Electronic**

MODEL E19/8/5 4+4

NAME 12.5mm

MATERIAL PHENOLIC

TEL 021-66745473  
021-66716806

TOLERANCE

SCALE

DRAW BY

FAX 021-66742368

0 < L ≤ 4 ±0.1

4 < L ≤ 16 ±0.2

16 < L ≤ 63 ±0.3

Pin pitch ±0.2

4/1

CHECK BY

WEBSITE selfelectronic.com

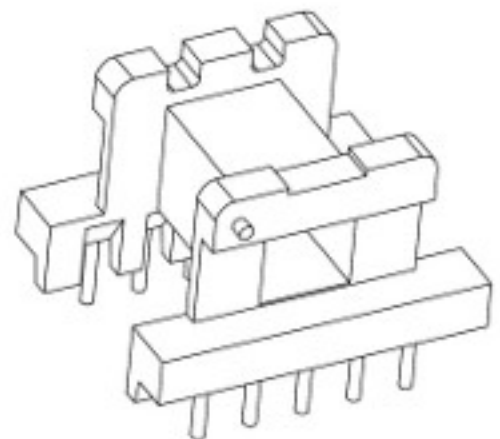
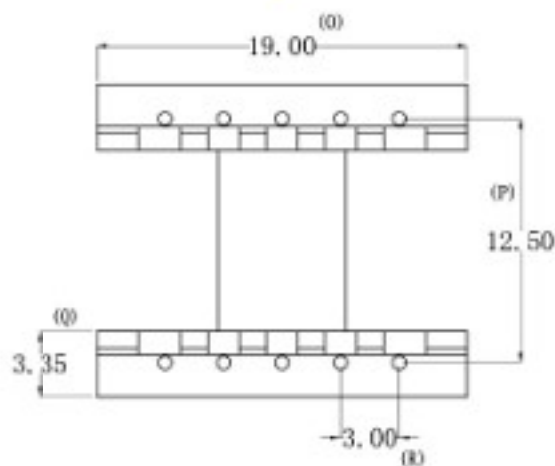
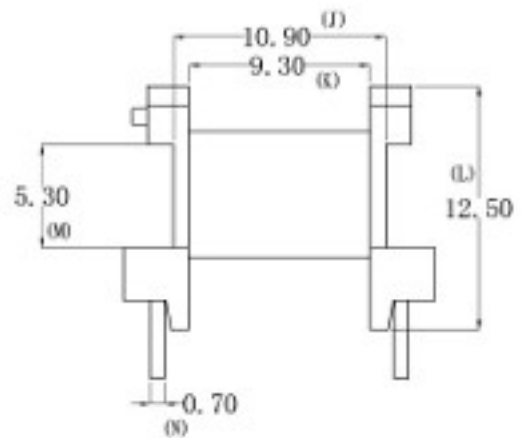
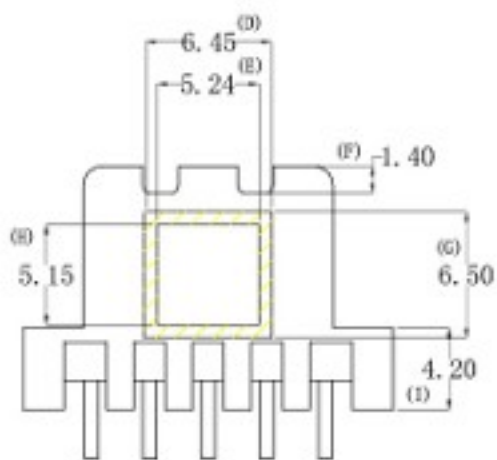
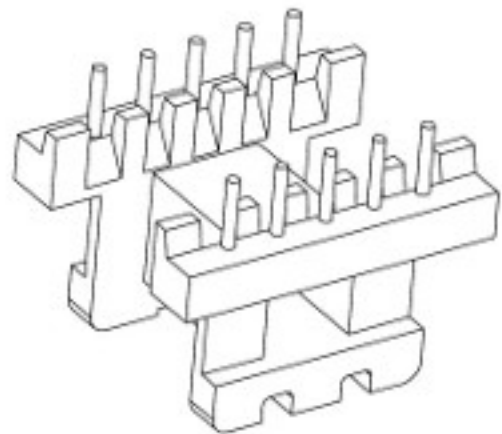
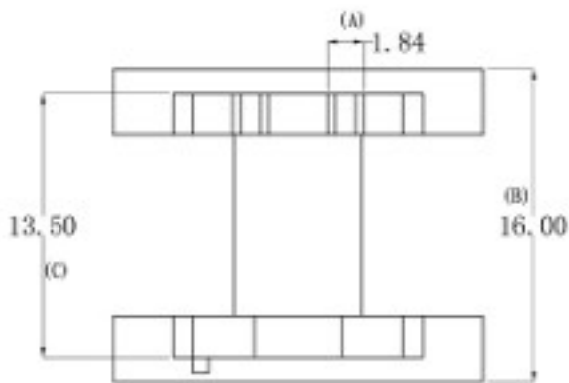
UNIT

MM

DATE

2014.10.18

(TYPE) 029050192101105



**Self  
Electronic**

MODEL EE19/8/5 5+5

MATERIAL PHENOLIC

TEL 021-66745473  
021-66716806

TOLERANCE

SCALE DRAW BY

FAX 021-66742368

$0 < L \leq 4 \pm 0.1$   
 $4 < L \leq 16 \pm 0.2$   
 $16 < L \leq 63 \pm 0.3$

4/1 CHECK BY

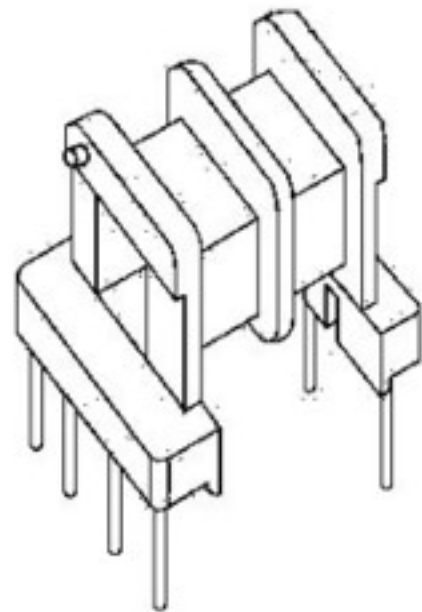
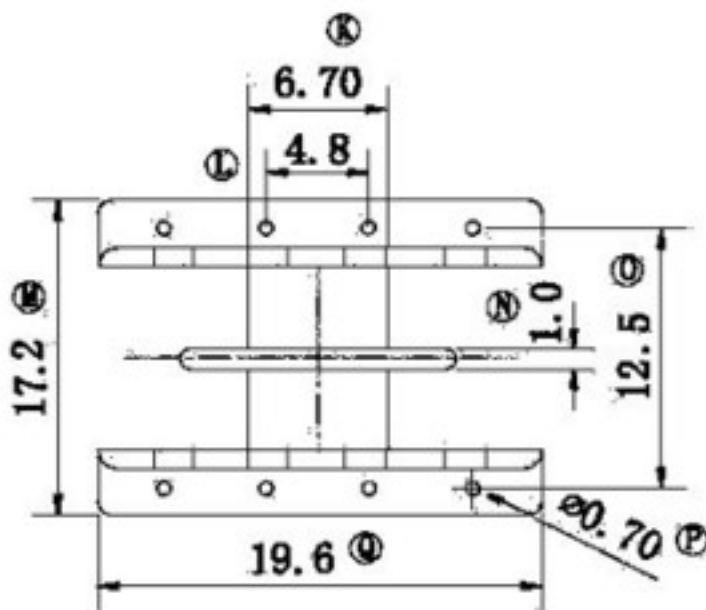
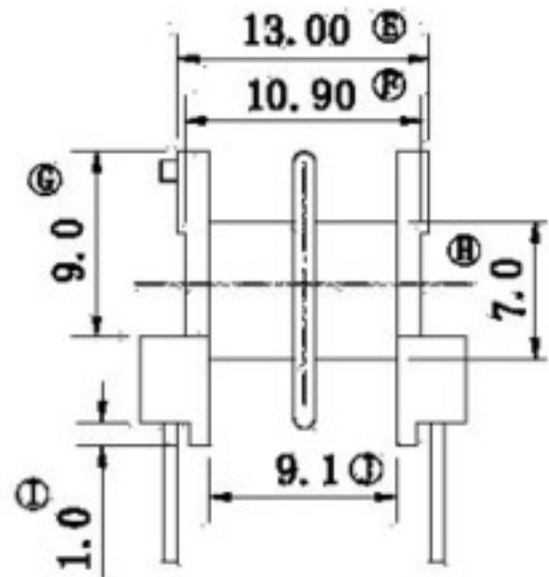
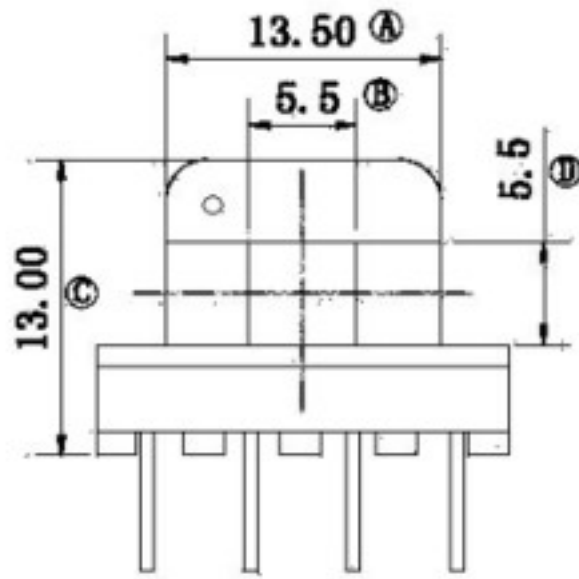
WEBSITE selfelectronic.com

Pin pitch  $\pm 0.2$

UNIT MM DATE 2014.10.18

(TYPE)

001050192082001



**Self Electronic**

MODEL NAME

E19/8/5 4+4

MATERIAL

PHENOLIC

TEL

021-66745473  
021-66716806

TOLERANCE

SCALE

DRAW BY

FAX

021-66742368

0 < L ≤ 4 ±0.1  
4 < L ≤ 16 ±0.2  
16 < L ≤ 63 ±0.3  
Pin pitch ±0.2

4/1

CHECK BY

WEBSITE

selfelectronic.com

UNIT

MM

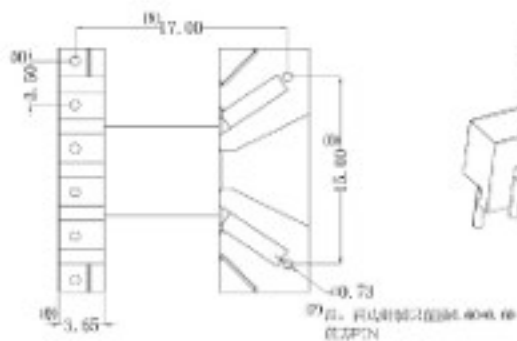
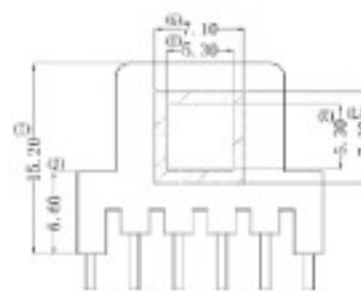
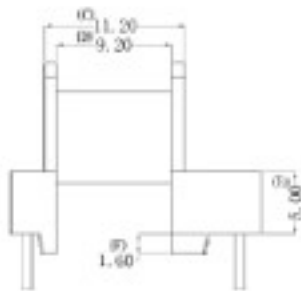
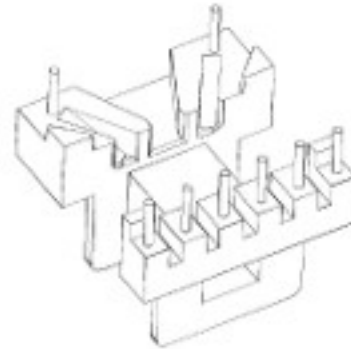
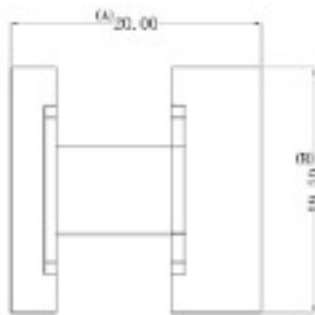
DATE

2014.10.18



(TYPE)

029050192081001



**Self  
Electronic**

MODEL

E19/8/5 6+2

17

MATERIAL

PHENOLIC

TEL

021-66745473  
021-66716806

TOLERANCE

SCALE

DRAW BY

FAX

021-66742368

0 &lt; L ≤ 4 ±0.1

4 &lt; L ≤ 16 ±0.2

16 &lt; L ≤ 63 ±0.3

Pin pitch ±0.2

4/1

CHECK BY

WEBSITE

selfelectronic.com

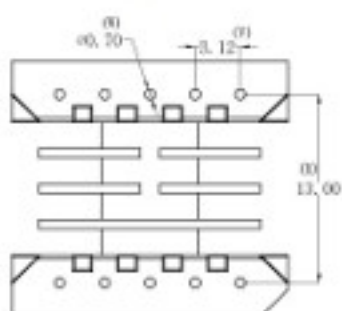
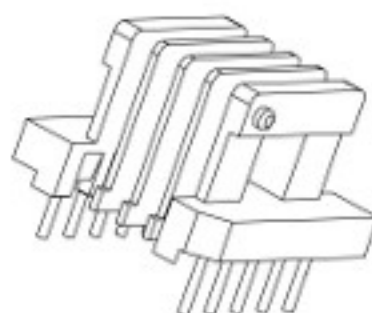
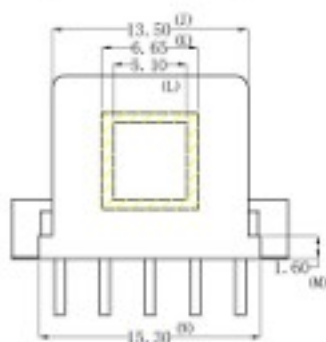
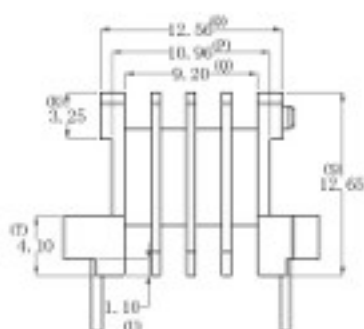
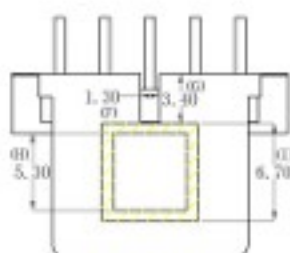
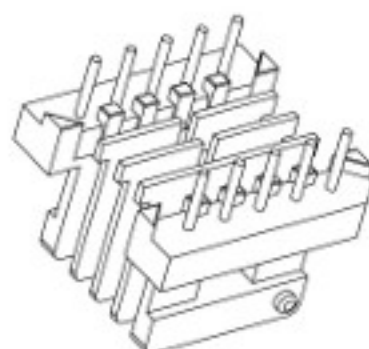
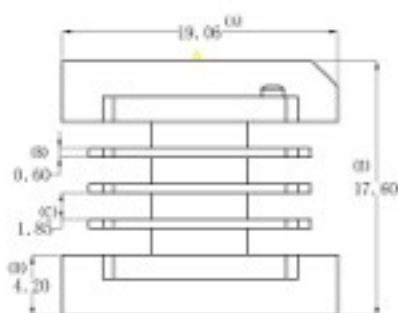
UNIT

MM

DATE

2014.10.18

(TYPE) 029050192104001



**Self  
Electronic**

MODEL

E19/8/5

5+5

MATERIAL

PHENOLIC

TEL

021-66745473  
021-66716806

TOLERANCE

SCALE

DRAW BY

FAX

021-66742368

0 &lt; L ≤ 4 ±0.1

4 &lt; L ≤ 16 ±0.2

16 &lt; L ≤ 63 ±0.3

Pin pitch ±0.2

4/1

CHECK BY

WEBSITE

selfelectronic.com

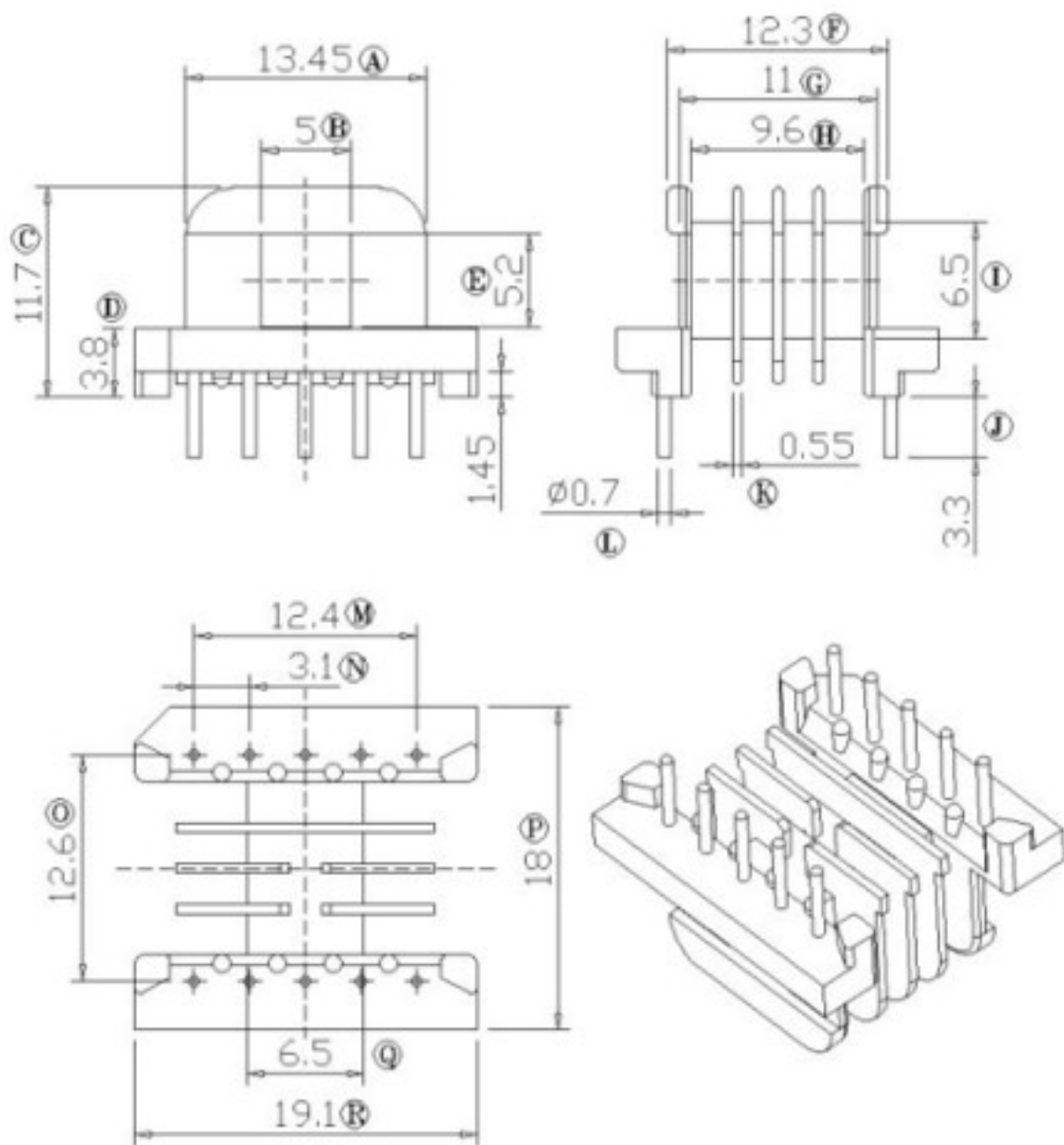
UNIT

MM

DATE

2014.10.18

(TYPE) 008050192104101



**Self  
Electronic**

MODEL E19/8/5 5+5

MATERIAL PHENOLIC

TEL 021-66745473  
021-66716806

TOLERANCE

SCALE DRAW BY

FAX 021-66742368

0 < L ≤ 4 ±0.1

4 < L ≤ 16 ±0.2

16 < L ≤ 63 ±0.3

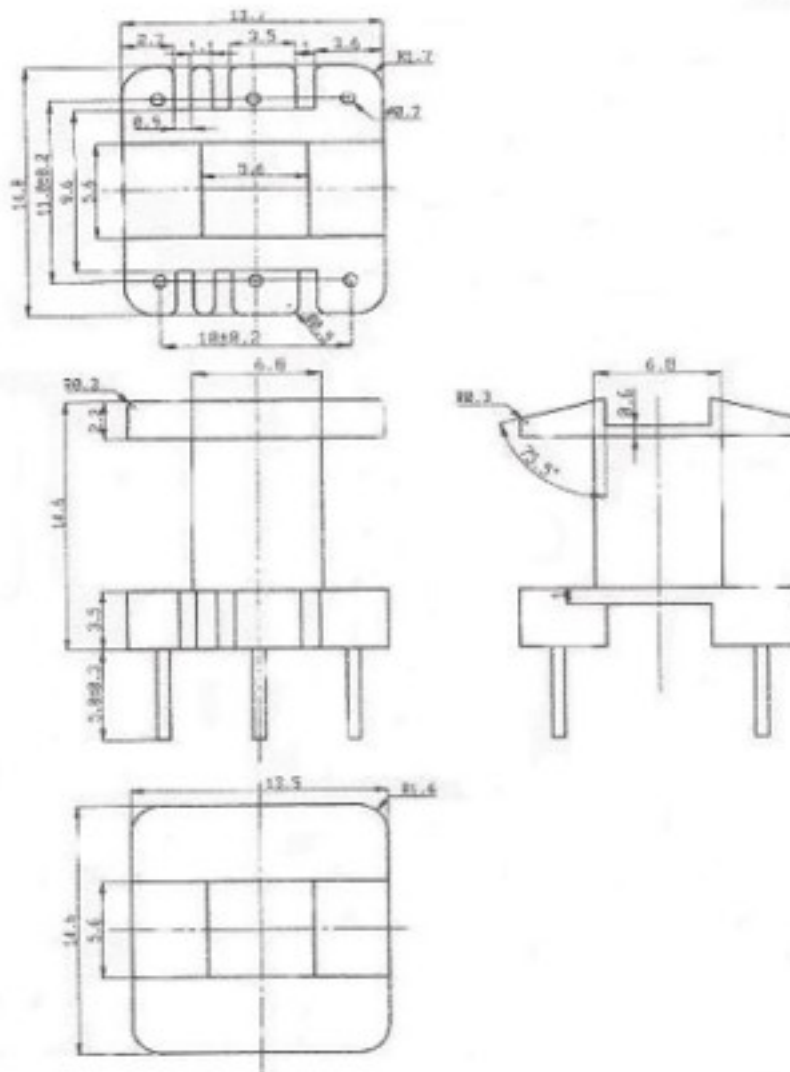
Pin pitch ±0.2

4/1 CHECK BY

WEBSITE selfelectronic.com

UNIT MM DATE 2015.11.16

(TYPE) 001050191061001



### Self Electronic

MODEL E19/8/5 3+3

MATERIAL PHENOLIC

TEL 021-66745473  
021-66716806

TOLERANCE

SCALE

DRAW BY

FAX 021-66742368

 $0 < L \leq 4 \quad \pm 0.1$   
 $4 < L \leq 16 \quad \pm 0.2$   
 $16 < L \leq 63 \quad \pm 0.3$   
 Pin pitch  $\pm 0.2$ 

4/1

CHECK BY

WEBSITE selfelectronic.com

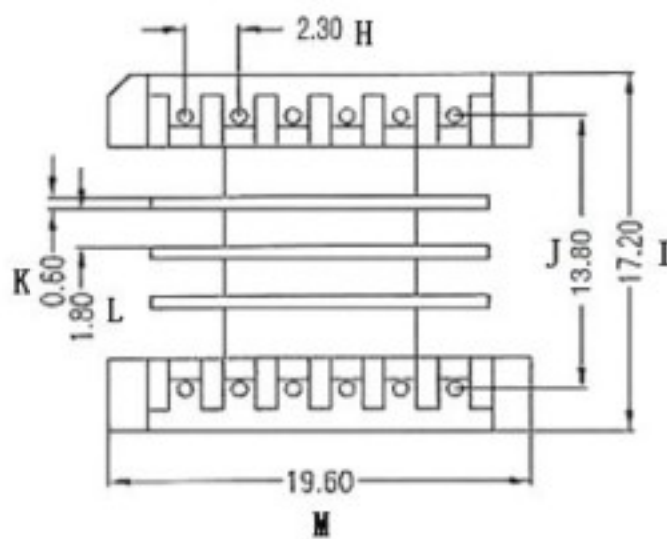
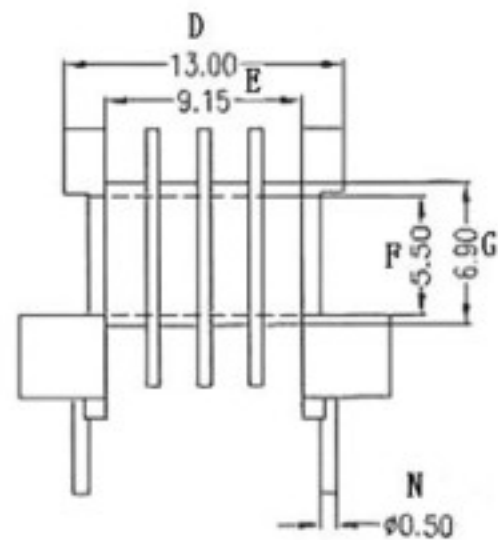
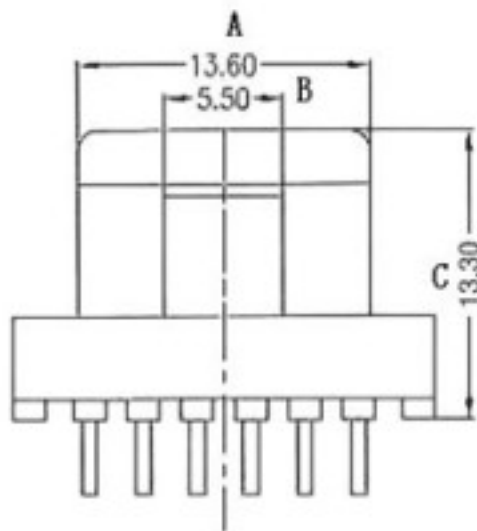
UNIT

MM

DATE

2015.11.16

(TYPE) 001050192124006



### Self Electronic

MODEL E19/8/5 6+6

MATERIAL PHENOLIC

TEL 021-66745473  
021-66716806

TOLERANCE

SCALE DRAW BY

FAX 021-66742368

 $0 < L \leq 4 \quad \pm 0.1$   
 $4 < L \leq 16 \quad \pm 0.2$ 

4/1

CHECK BY

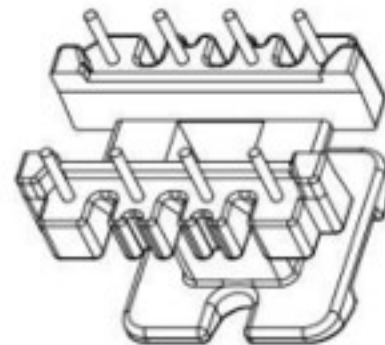
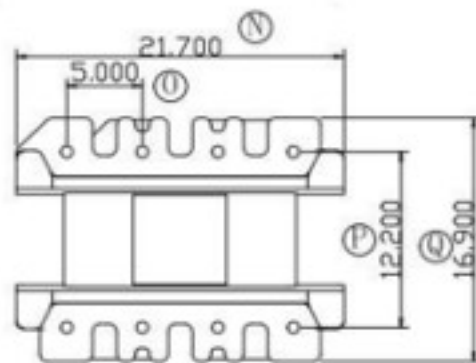
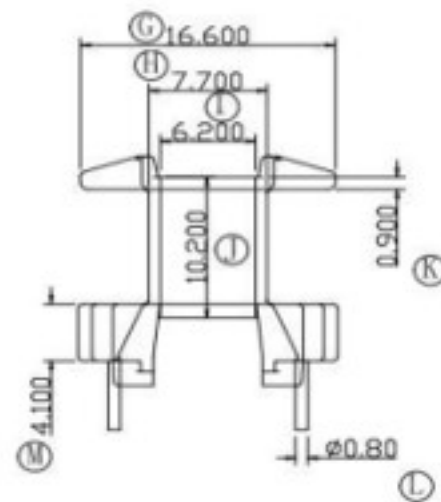
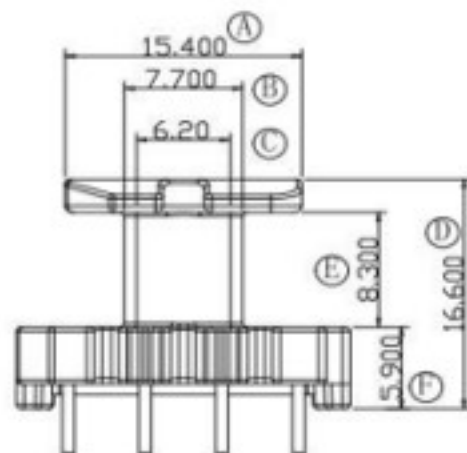
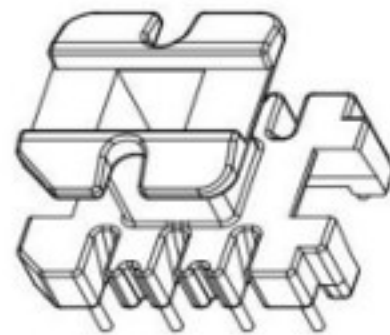
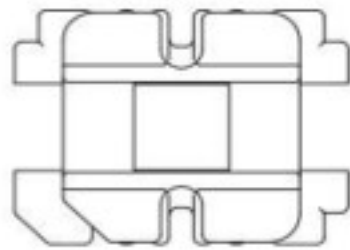
WEBSITE selfelectronic.com

 $16 < L \leq 63 \quad \pm 0.3$   
 Pin pitch  $\pm 0.2$ 

UNIT MM DATE 2014.10.18

(TYPE)

006050221081001



**Self  
Electronic**

MODEL

E22/9/6 4+4

MATERIAL

PHENOLIC

TEL

021-66745473  
021-66716806

TOLERANCE

SCALE

DRAW BY

FAX

021-66742368

0 &lt; L ≤ 4 ±0.1

4 &lt; L ≤ 16 ±0.2

16 &lt; L ≤ 63 ±0.3

Pin pitch ±0.2

4/1

CHECK BY

WEBSITE

selfelectronic.com

UNIT

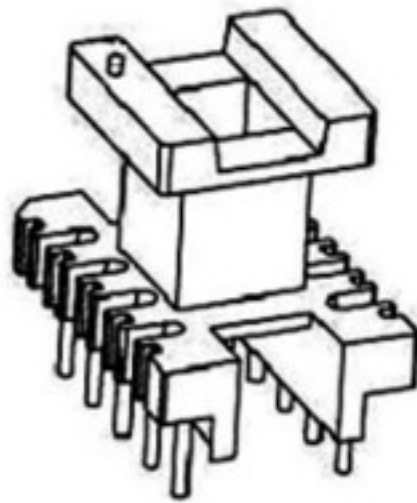
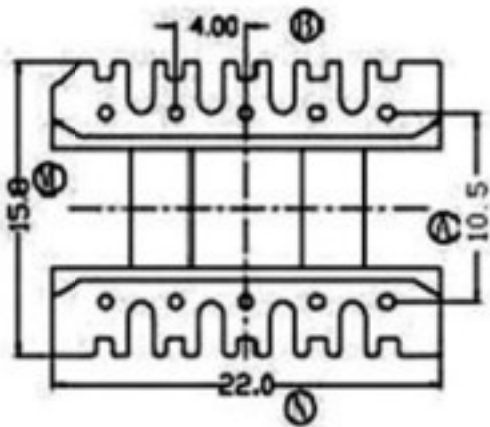
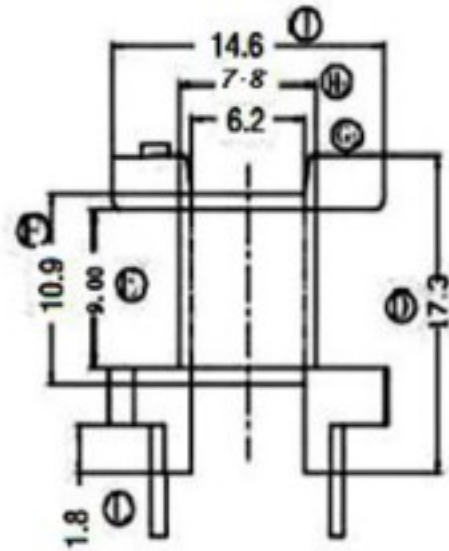
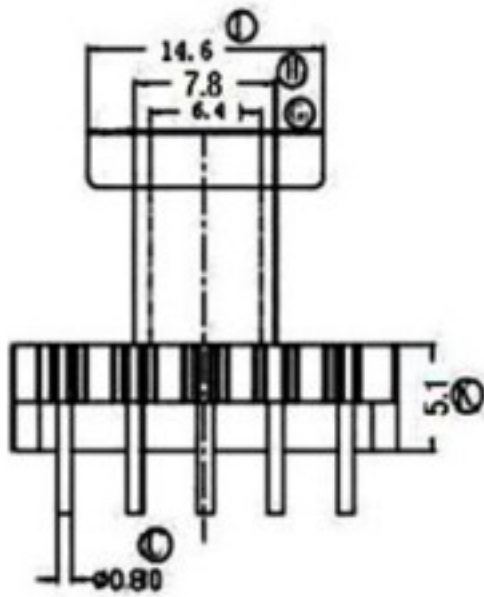
MM

DATE

2014.10.18

(TYPE)

001050221110101



**Self  
Electronic**

MODEL

E22/9/6

MATERIAL

PHENOLIC

TEL

021-66745473  
021-66716806

TOLERANCE

SCALE

DRAW BY

FAX

021-66742368

0 < L ≤ 4 ±0.1  
4 < L ≤ 16 ±0.2

4/1

CHECK BY

WEBSITE

selfelectronic.com

16 < L ≤ 63 ±0.3  
Pin pitch ±0.2

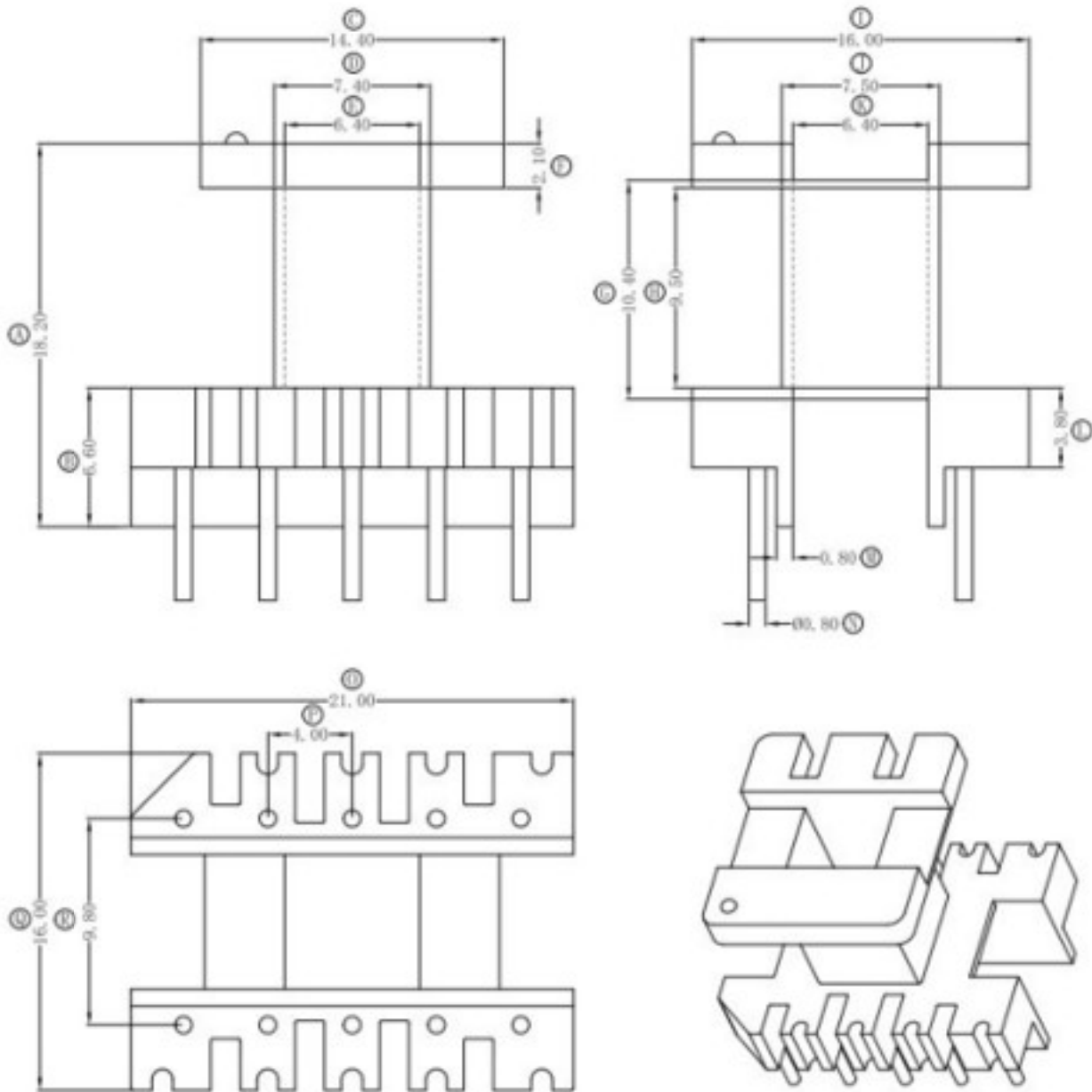
UNIT MM

DATE

2014.10.18

(TYPE)

006050221101101



### Self Electronic

MODEL

E22/9/6

5+5

MATERIAL

PHENOLIC

TEL

021-66745473  
021-66716806

TOLERANCE

SCALE

DRAW BY

FAX

021-66742368

0 &lt; L ≤ 4 ±0.1

4 &lt; L ≤ 16 ±0.2

16 &lt; L ≤ 63 ±0.3

Pin pitch ±0.2

4/1

CHECK BY

WEBSITE

selfelectronic.com

UNIT

MM

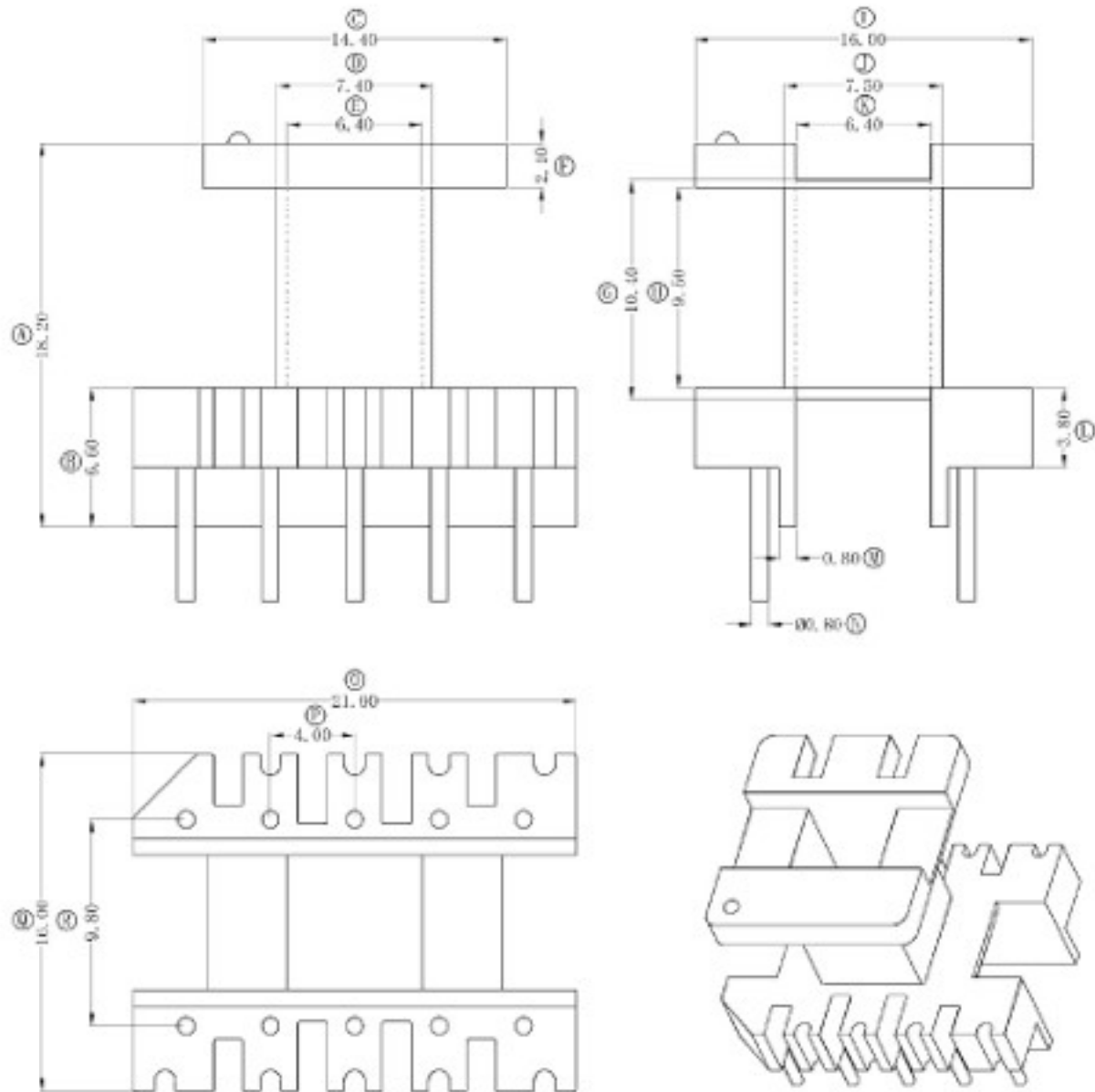
DATE

2015.11.14



(TYPE)

006050221101101



**Self  
Electronic**

MODEL

E22/9/6

MATERIAL

PHENOLIC

TEL

021-66745473  
021-66716806

TOLERANCE

SCALE

DRAW BY

FAX

021-66742368

 $0 < L \leq 4 \quad \pm 0.1$   
 $4 < L \leq 16 \quad \pm 0.2$ 

4/1

CHECK BY

WEBSITE

selfelectronic.com

 $16 < L \leq 63 \quad \pm 0.3$   
 Pin pitch  $\pm 0.2$ 

UNIT

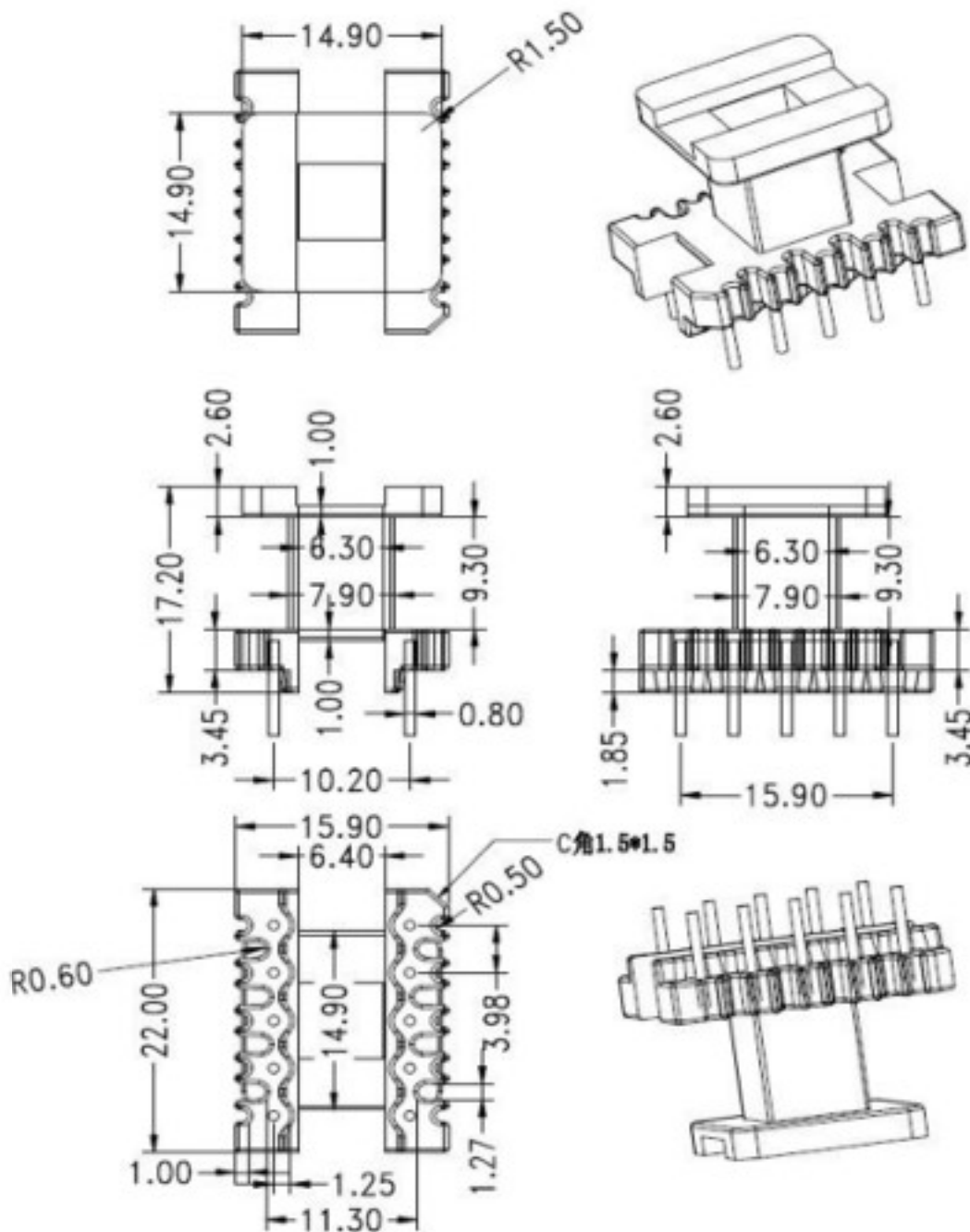
MM

DATE

2014.10.10

(TYPE)

052050221101101



### Self Electronic

MODEL

E22/9/6

5+5

MATERIAL

PHENOLIC

TEL

021-66745473  
021-66716806

TOLERANCE

SCALE

DRAW BY

FAX

021-66742368

 $0 < L \leq 4$   $\pm 0.1$   
 $4 < L \leq 16$   $\pm 0.2$   
 $16 < L \leq 63$   $\pm 0.3$ 

4/1

CHECK BY |

WEBSITE

selfelectronic.com

Pin pitch  $\pm 0.2$ 

UNIT

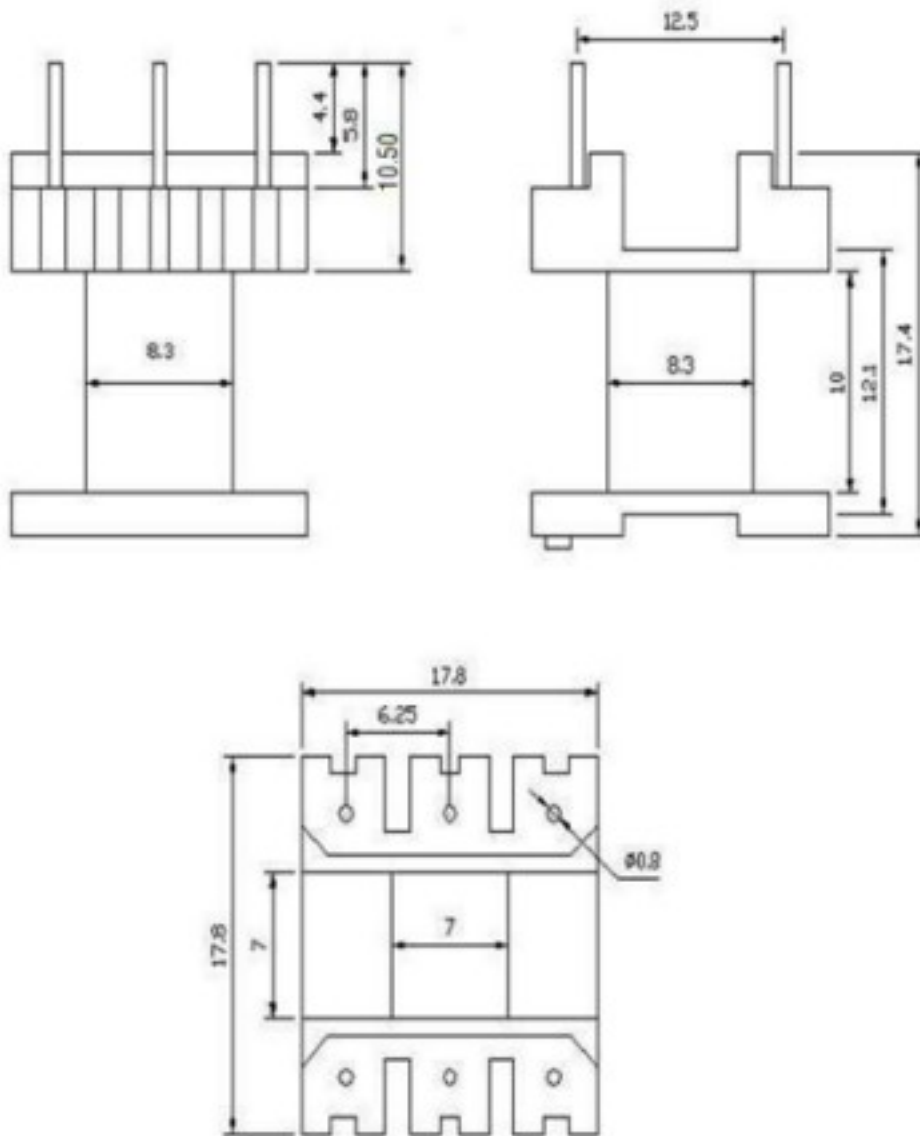
MM

DATE

2014.10.18

(TYPE)

072050251061101



**Self  
Electronic**

MODEL E25/10/6 3+3

MATERIAL PHENOLIC

TEL 021-66745473  
021-66716806

TOLERANCE

SCALE DRAW BY

FAX 021-66742368

0 < L ≤ 4 ±0.1  
4 < L ≤ 16 ±0.2  
16 < L ≤ 63 ±0.3

4/1 CHECK BY

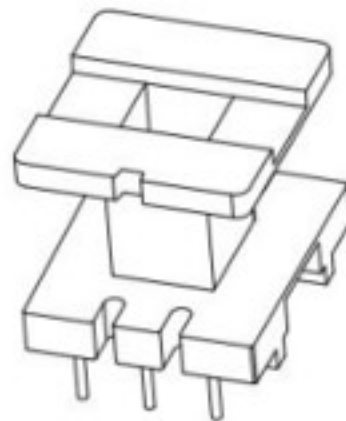
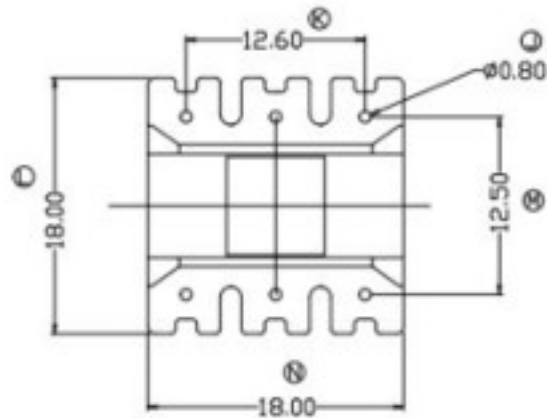
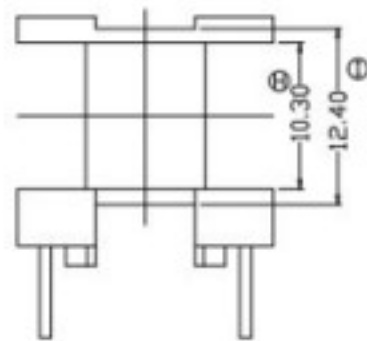
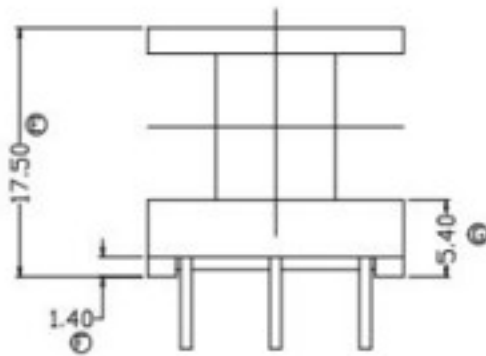
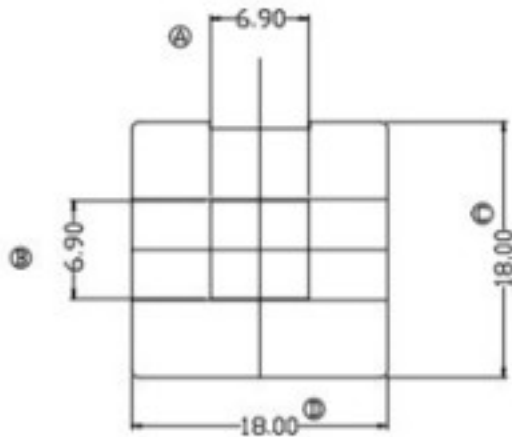
WEBSITE selfelectronic.com

Pin pitch ±0.2

UNIT MM DATE 2014.10.18

(TYPE)

006050251061102



**Self  
Electronic**

MODEL  
NAMEE25/10/6 3+3  
12.5mm

MATERIAL

PHENOLIC

TEL

021-66745473  
021-66716806

TOLERANCE

 $0 < L \leq 4 \quad \pm 0.1$   
 $4 < L \leq 16 \quad \pm 0.2$   
 $16 < L \leq 63 \quad \pm 0.3$   
 Pin pitch  $\pm 0.2$ 

SCALE

4/1

DRAW BY

CHECK BY

WEBSITE

selfelectronic.com

UNIT

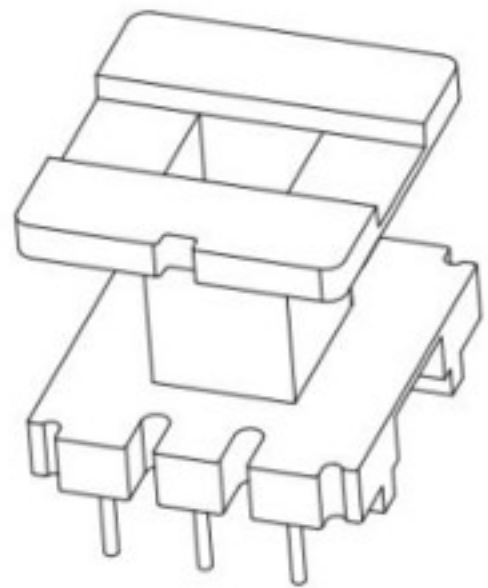
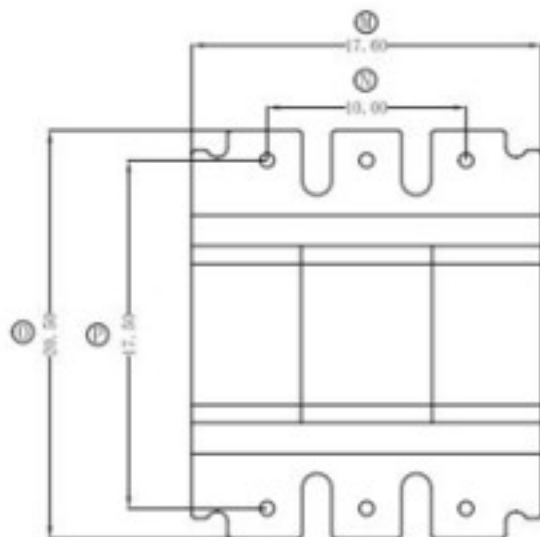
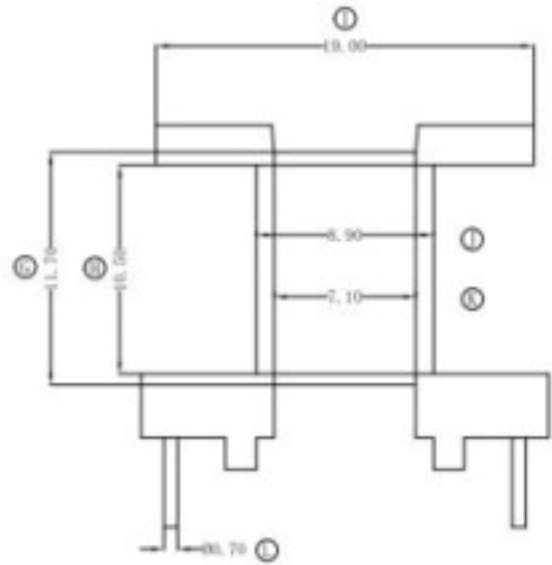
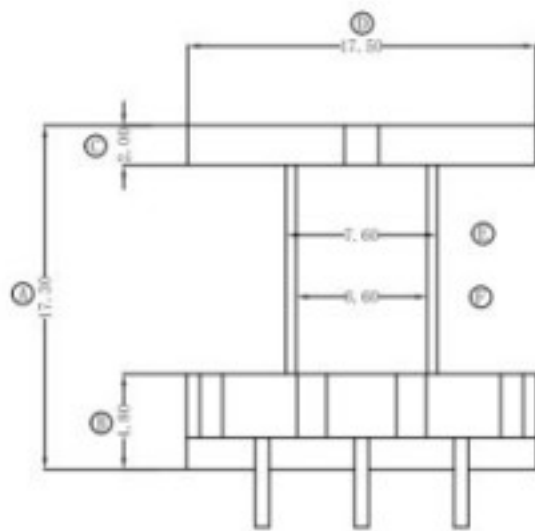
MM

DATE

2015.11.14

TYPE)

006050251061101



**Self  
Electronic**

MODEL  
NAMEE25/10/6 3+3  
17.5mm

MATERIAL

PHENOLIC

TEL

021-66745473  
021-66716806

TOLERANCE

SCALE

DRAW BY

FAX

021-66742368

0 &lt;math&gt;L \le 4&lt;/math&gt; ±0.1

4 &lt;math&gt;L \le 16&lt;/math&gt; ±0.2

16 &lt;math&gt;L \le 63&lt;/math&gt; ±0.3

Pin pitch ±0.2

4/1

CHECK BY

WEBSITE

selfelectronic.com

UNIT

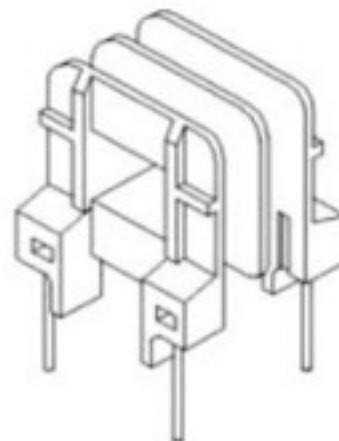
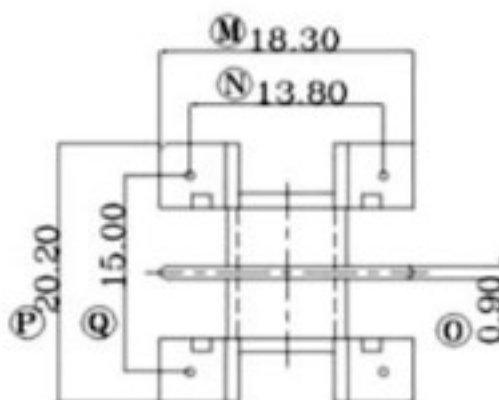
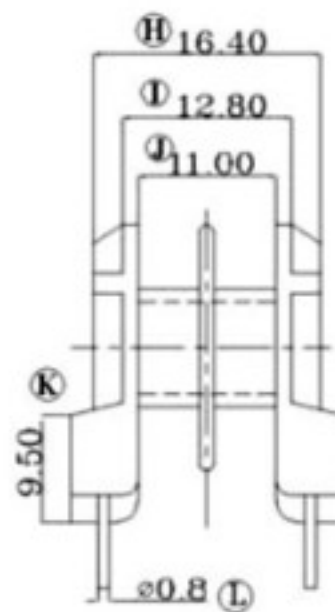
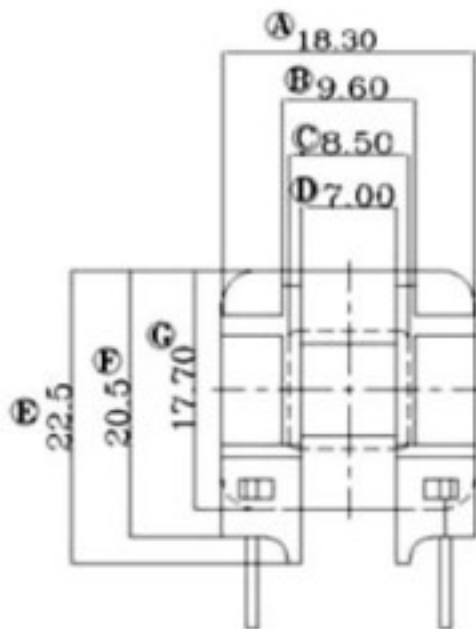
MM

DATE

2015.11.14

(TYPE)

010050251042001



### Self Electronic

MODEL

E25/10/6

2+2

MATERIAL

PBT

TEL

021-66745473  
021-66716806

TOLERANCE

SCALE

DRAW BY

FAX

021-66742368

0 &lt; L ≤ 4 ±0.1

4 &lt; L ≤ 16 ±0.2

16 &lt; L ≤ 63 ±0.3

Pin pitch ±0.2

4/1

CHECK BY

WEBSITE

selfelectronic.com

UNIT

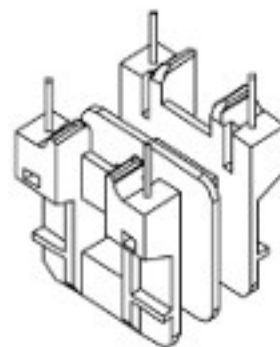
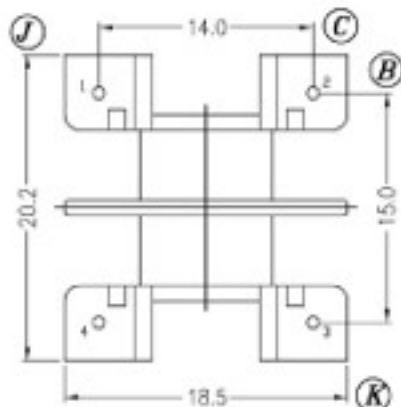
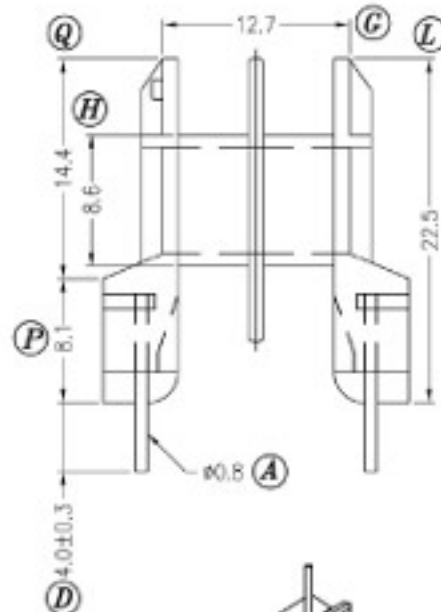
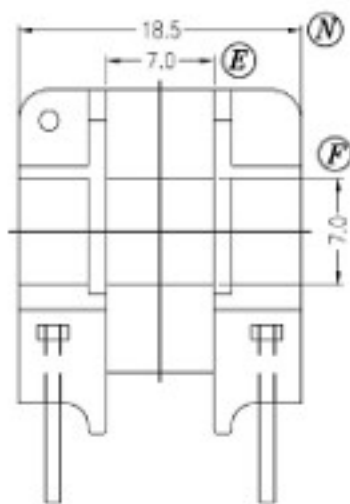
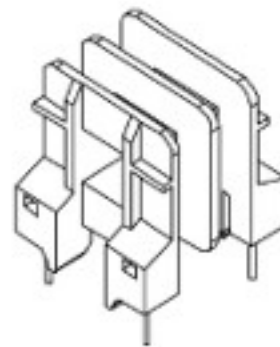
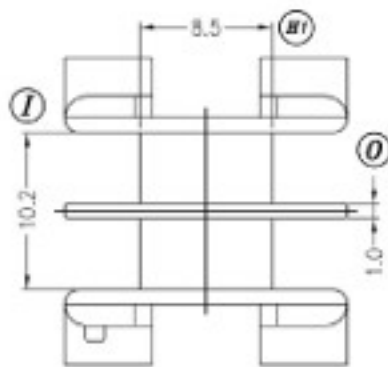
MM

DATE

2014.10.18

(TYPE)

078050251042001



### Self Electronic

MODEL

E25/10/6

2+2

MATERIAL

PBT

TEL

021-66745473  
021-66716806

TOLERANCE

SCALE

DRAW BY

FAX

021-66742368

0 &lt; L ≤ 4 ±0.1

4 &lt; L ≤ 16 ±0.2

16 &lt; L ≤ 63 ±0.3

Pin pitch ±0.2

4/1

CHECK BY

WEBSITE

selfelectronic.com

UNIT

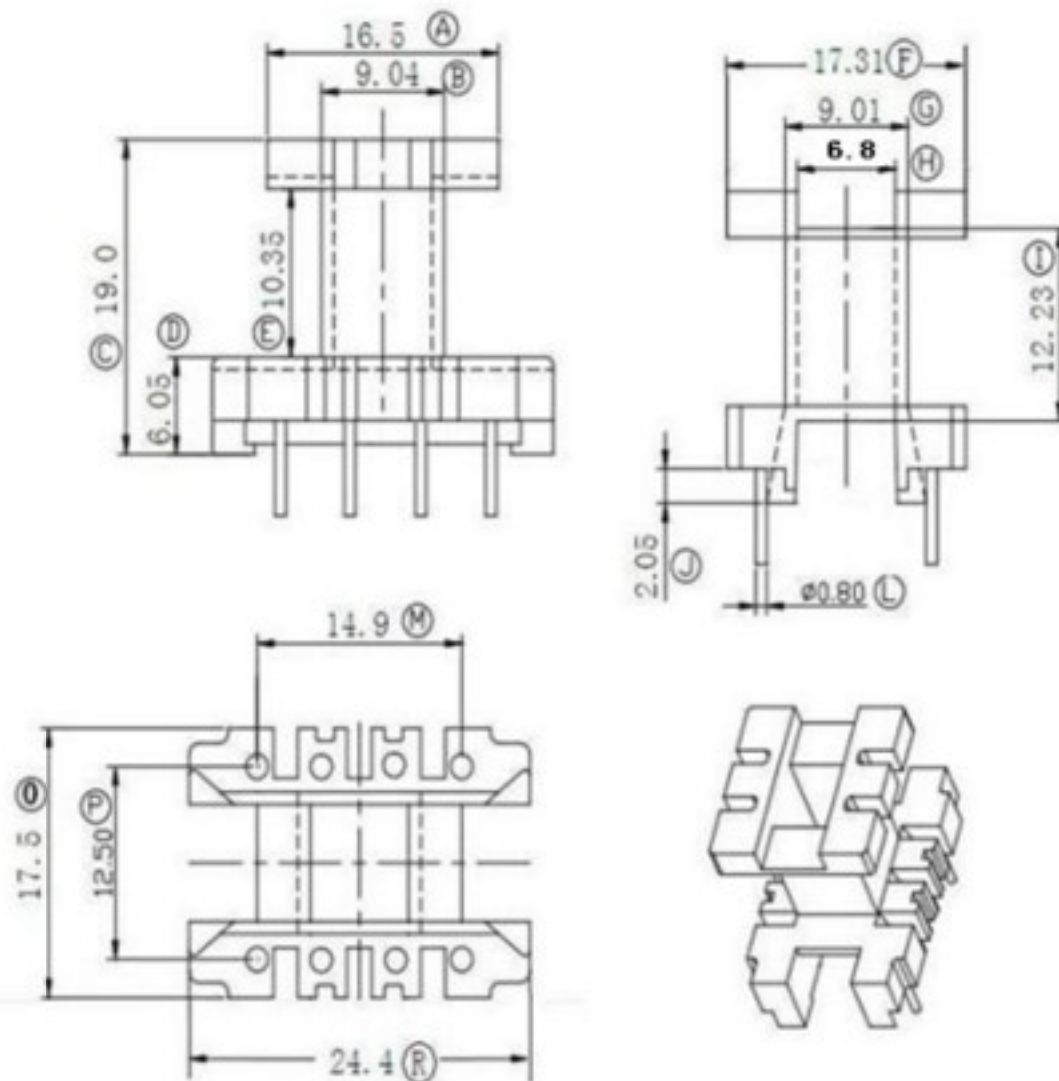
MM

DATE

2015.09.14

(TYPE)

001050251081001



### Self Electronic

MODEL

E25/10/6

4+4

MATERIAL

PHENOLIC

TEL

021-66745473  
021-66716806

TOLERANCE

SCALE

DRAW BY

FAX

021-66742368

 $0 < L \leq 4 \quad \pm 0.1$   
 $4 < L \leq 16 \quad \pm 0.2$ 

4/1

CHECK BY

WEBSITE

selfelectronic.com

 $16 < L \leq 63 \quad \pm 0.3$   
 Pin pitch  $\pm 0.2$ 

UNIT

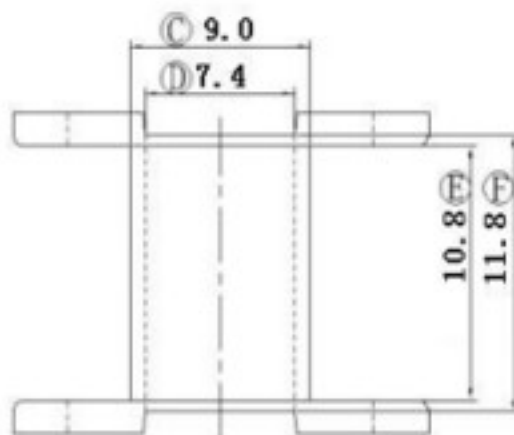
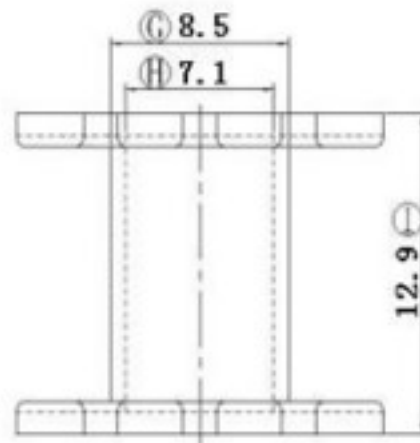
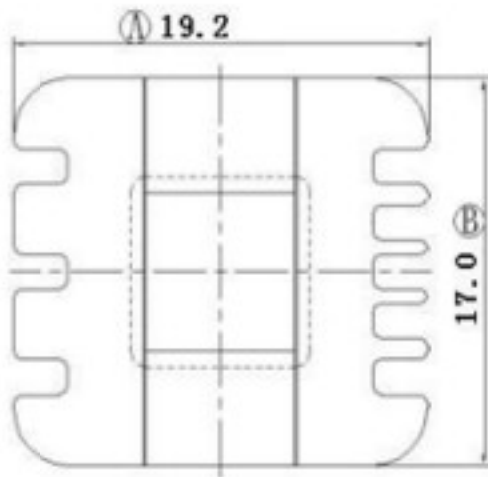
MM

DATE

2014.10.18



(TYPE) 030050301001001

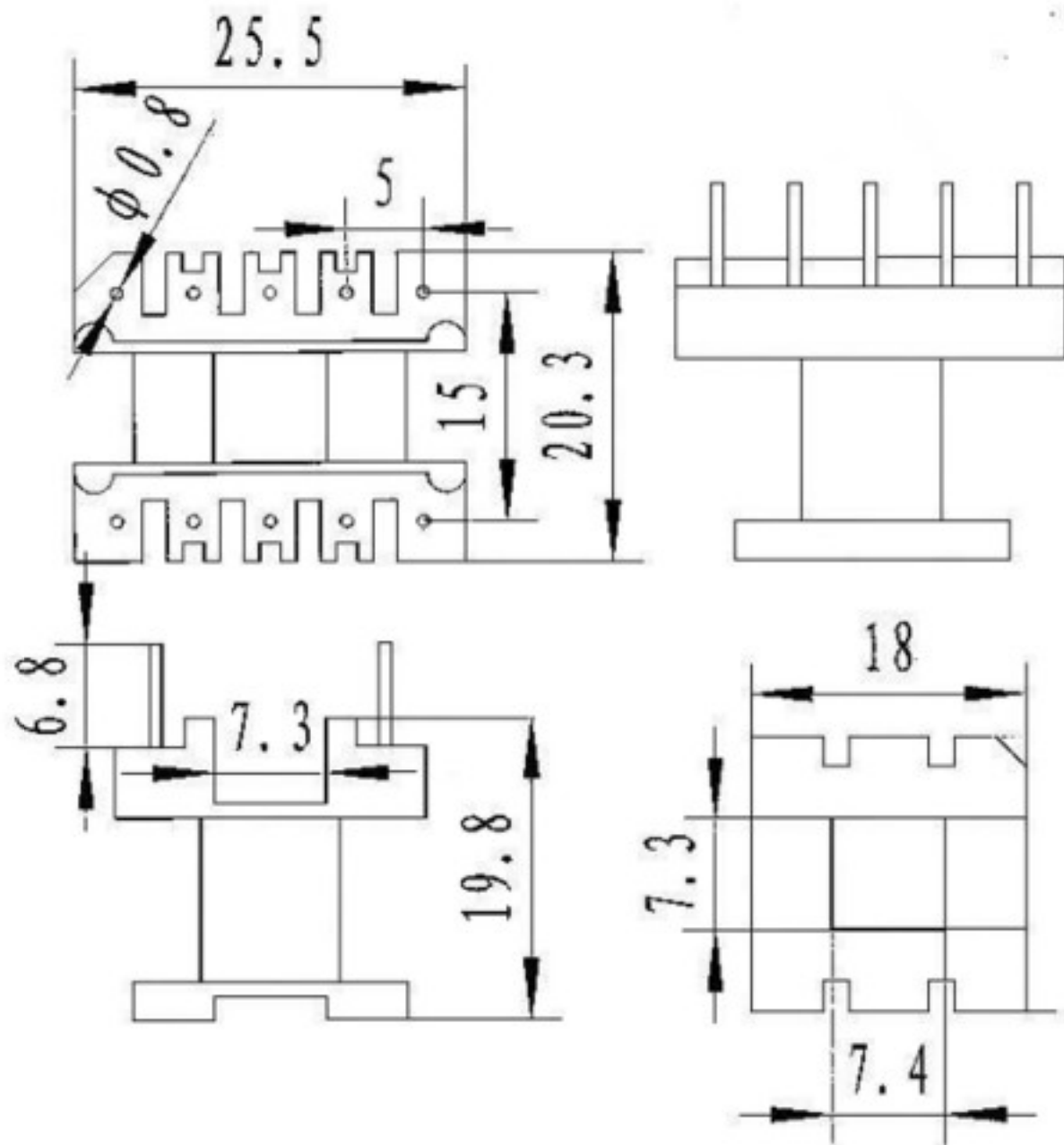


**Self  
Electronic**

MODEL	E25/10/6		
MATERIAL	PBT		
SCALE	DRAW BY		
4/1	CHECK BY		
UNIT	MM	DATE	2014.10.18

TEL	021-66745473 021-66716806	TOLERANCE
FAX	021-66742368	0 < L ≤ 4 ±0.1 4 < L ≤ 16 ±0.2 16 < L ≤ 63 ±0.3 Pin pitch ±0.2
WEBSITE	selfelectronic.com	

(TYPE) 001050251100101



### Self Electronic

MODEL E25/10/6 5+5

MATERIAL PHENOLIC

TEL 021-66745473  
021-66716806

TOLERANCE

SCALE

DRAW BY

FAX 021-66742368

0 &lt; L ≤ 4 ±0.1

4 &lt; L ≤ 16 ±0.2

16 &lt; L ≤ 63 ±0.3

Pin pitch ±0.2

4/1

CHECK BY

WEBSITE selfelectronic.com

UNIT

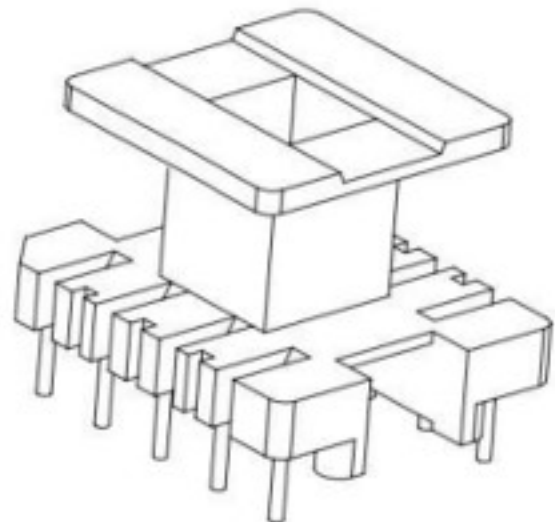
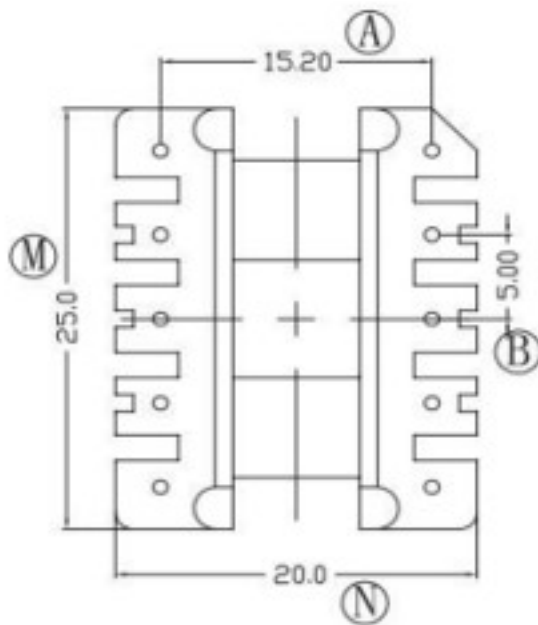
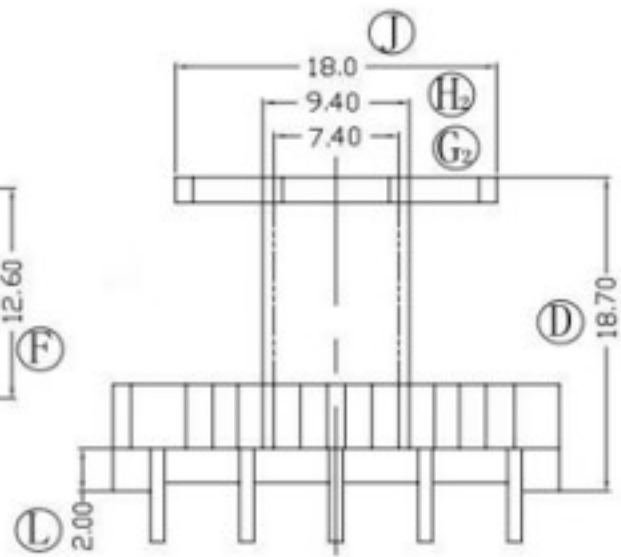
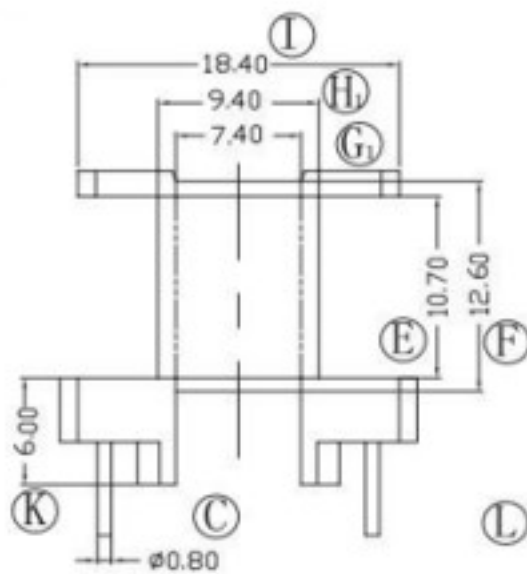
MM

DATE

2014.10.18

(TYPE)

004050251101001



**Self Electronic**

MODEL	E25/10/6	5+5
-------	----------	-----

MATERIAL	PHENOLIC
----------	----------

TEL	021-66745473 021-66716806
-----	------------------------------

TOLERANCE

SCALE	DRAW BY
-------	---------

FAX	021-66742368
-----	--------------

0 < L ≤ 4 ±0.1

4 < L ≤ 16 ±0.2

16 < L ≤ 63 ±0.3

Pin pitch ±0.2

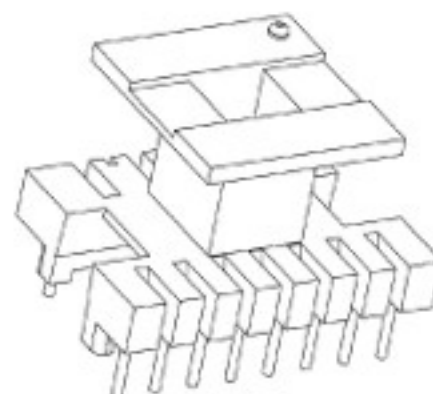
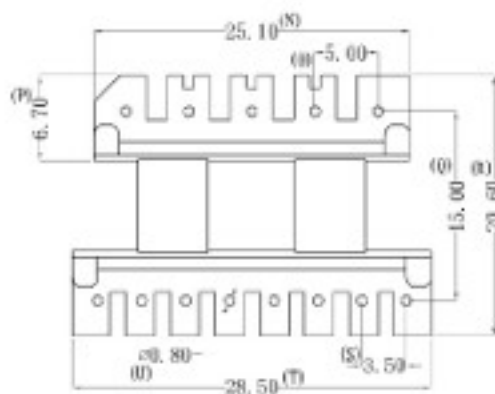
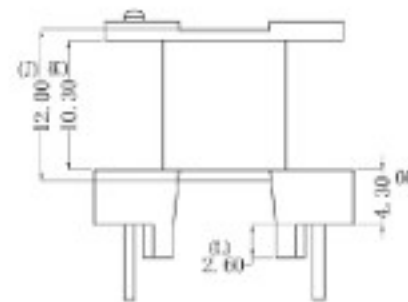
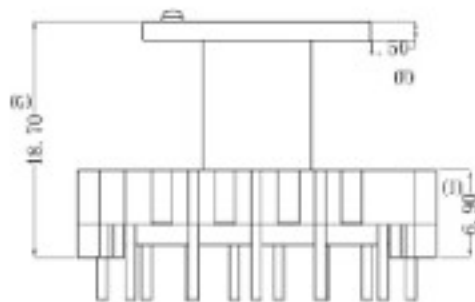
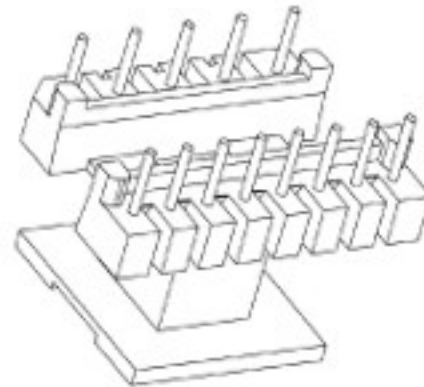
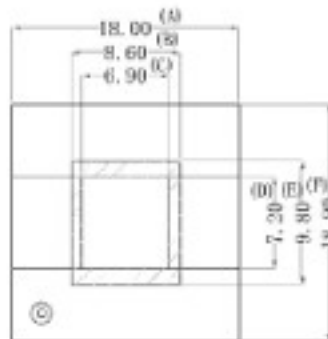
4/1	CHECK BY
-----	----------

WEBSITE	selfelectronic.com
---------	--------------------

UNIT	MM	DATE	2014.10.18
------	----	------	------------

(TYPE)

029050251131001



### Self Electronic

MODEL

E25/10/6

5+8

MATERIAL

PHENOLIC

TEL

021-66745473  
021-66716806

TOLERANCE

SCALE

DRAW BY

FAX

021-66742368

 $0 < L \leq 4$   $\pm 0.1$   
 $4 < L \leq 16$   $\pm 0.2$   
 $16 < L \leq 63$   $\pm 0.3$ 

4/1

CHECK BY

WEBSITE

selfelectronic.com

Pin pitch  $\pm 0.2$ 

UNIT

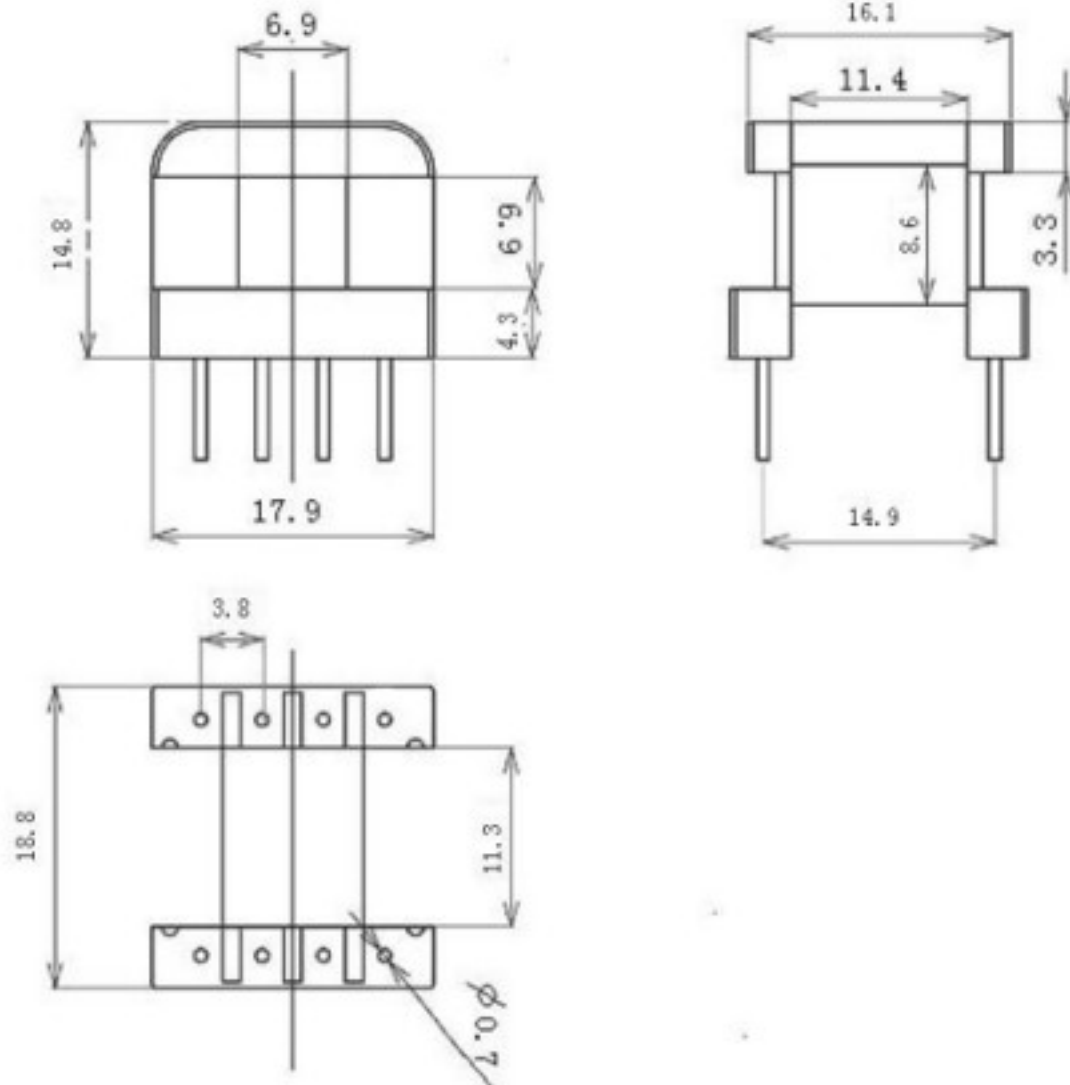
MM

DATE

2014.10.18

(TYPE)

001050251082001



### Self Electronic

MODEL

E25/10/6

4+4

MATERIAL

PHENOLIC

TEL

021-66745473  
021-66716806

TOLERANCE

SCALE

DRAW BY

FAX

021-66742368

 $0 < L \leq 4$   $\pm 0.1$   
 $4 < L \leq 16$   $\pm 0.2$   
 $16 < L \leq 63$   $\pm 0.3$ 

4/1

CHECK BY

WEBSITE

selfelectronic.com

Pin pitch  $\pm 0.2$ 

UNIT

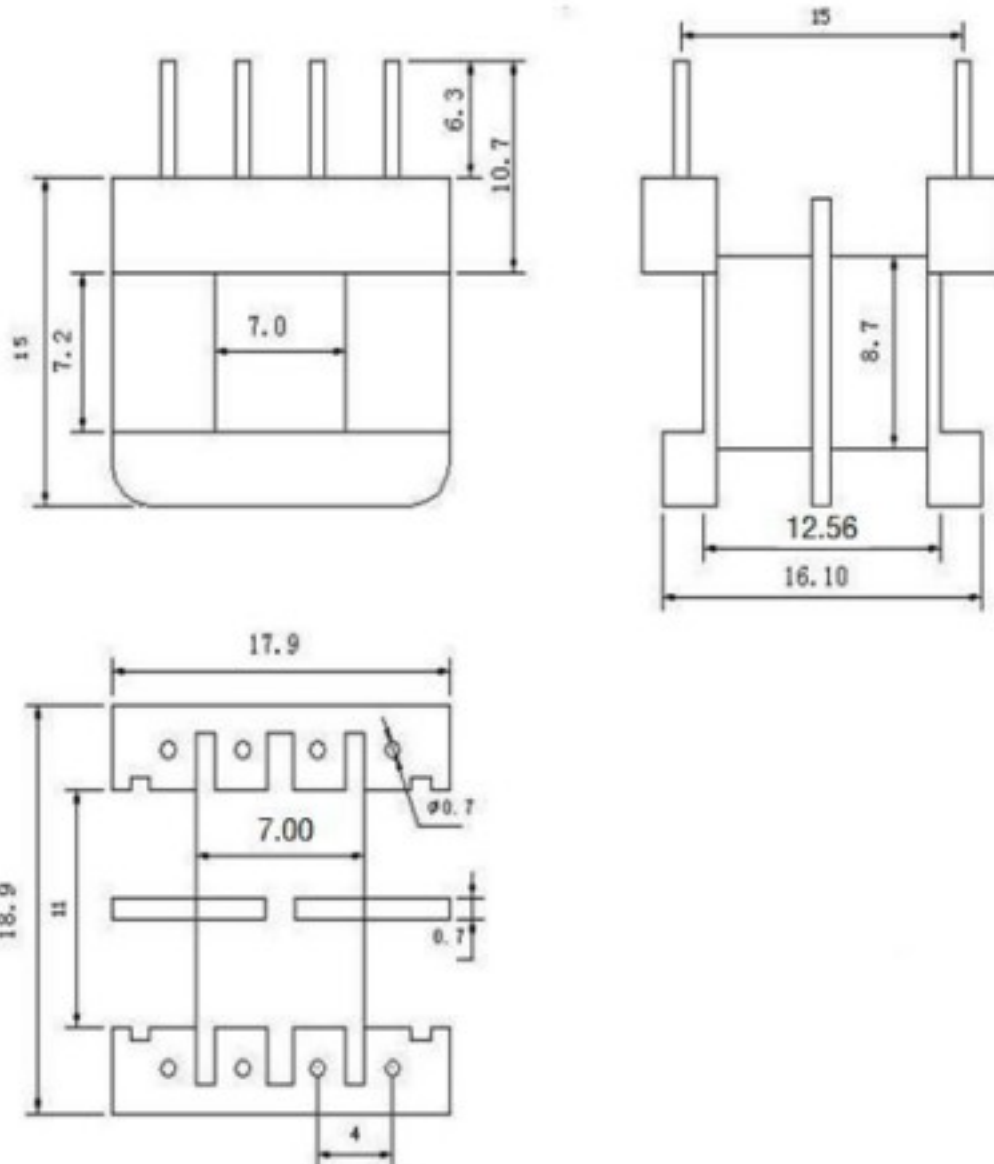
MM

DATE

2014.10.18

(TYPE)

001050252082001



### Self Electronic

MODEL

E25/10/6

4+4

MATERIAL

PHENOLIC

TEL

021-66745473  
021-66716806

TOLERANCE

SCALE

DRAW BY

FAX

021-66742368

0 &lt; L ≤ 4 ±0.1

4 &lt; L ≤ 16 ±0.2

16 &lt; L ≤ 63 ±0.3

Pin pitch ±0.2

4/1

CHECK BY |

WEBSITE

selfelectronic.com

UNIT

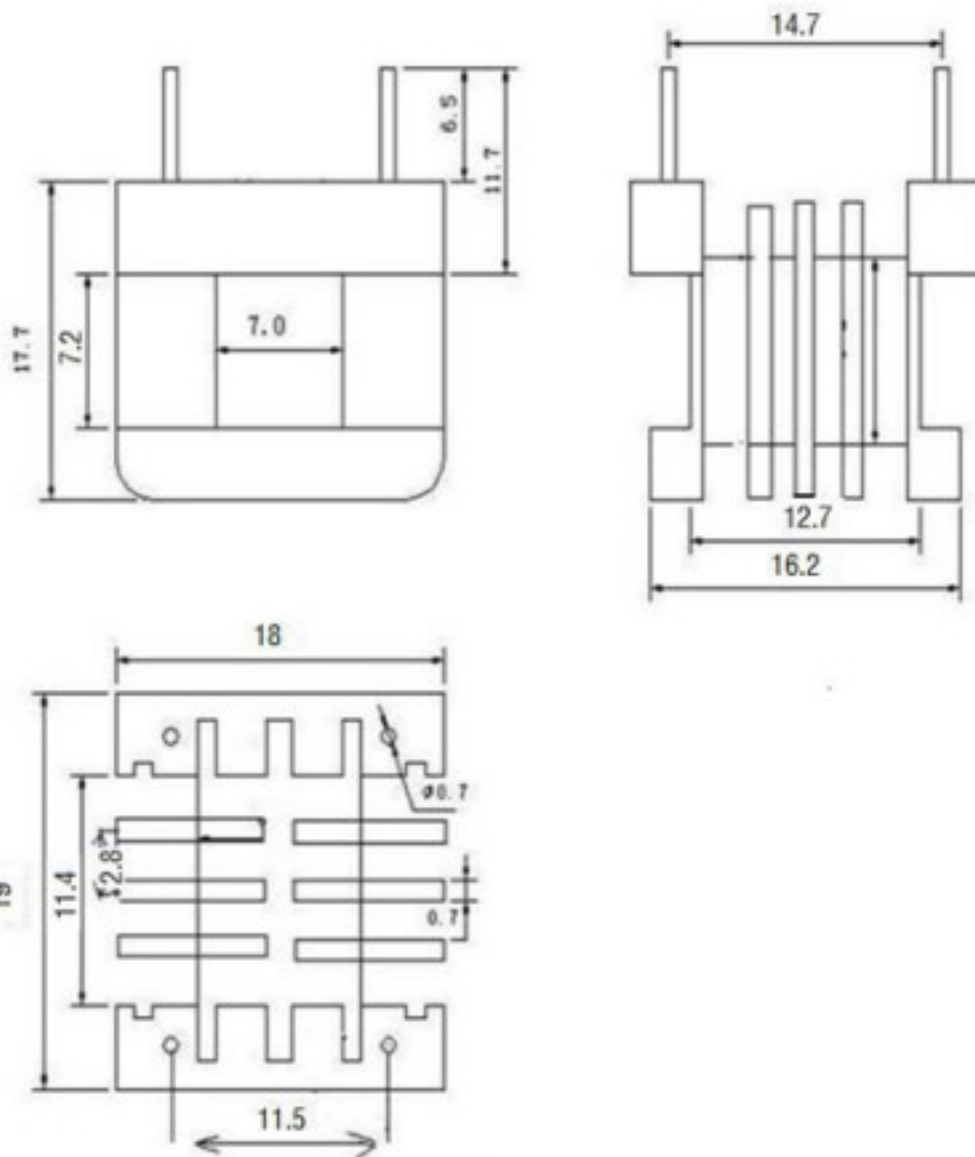
MM

DATE

2014.10.18

(TYPE)

001050252044001



### Self Electronic

MODEL

E25/10/6

2+2

MATERIAL

PHENOLIC

TEL

021-66745473  
021-66716806

TOLERANCE

SCALE

DRAW BY

FAX

021-66742368

 $0 < L \leq 4 \quad \pm 0.1$   
 $4 < L \leq 16 \quad \pm 0.2$ 

4/1

CHECK BY

WEBSITE

selfelectronic.com

 $1L \leq 63 \quad \pm 0.3$   
 Pin pitch  $\pm 0.2$ 

UNIT

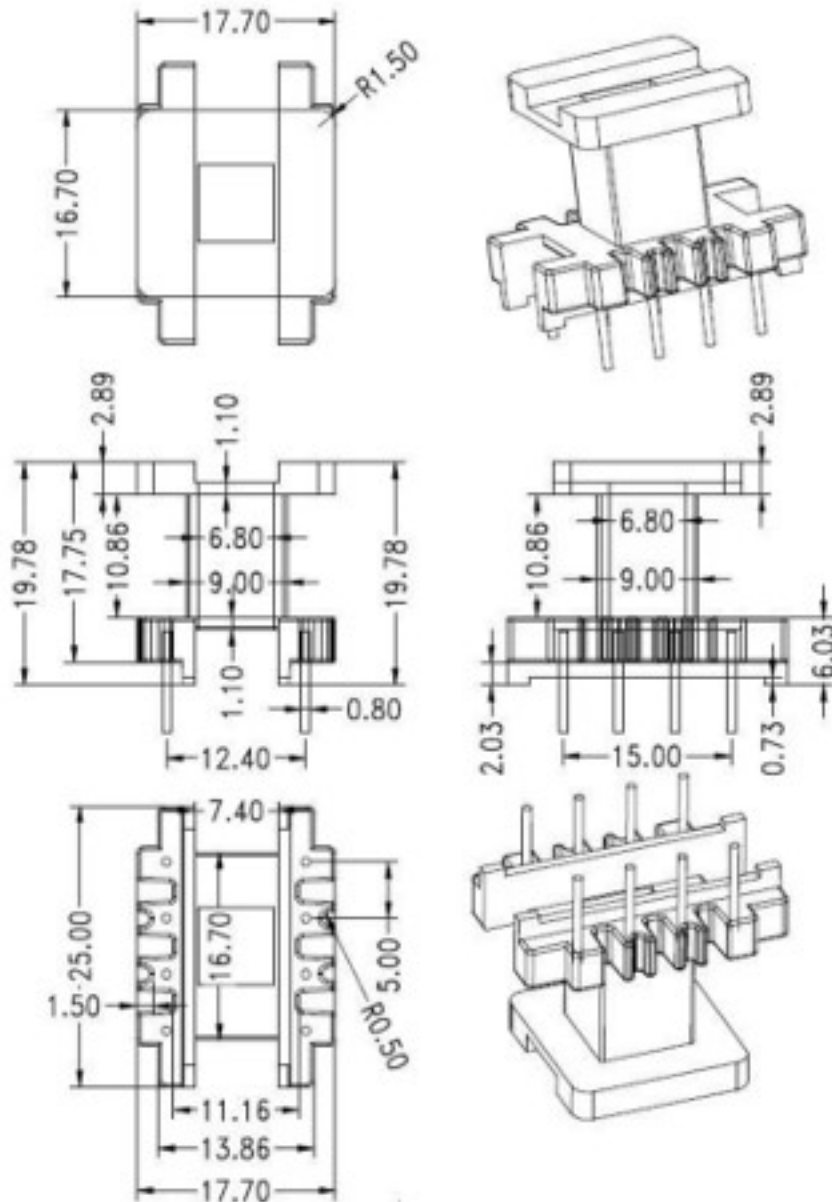
MM

DATE

2014.10.18

(TYPE)

052050251081001



**Self  
Electronic**

MODEL

E25/10/6

4+4

MATERIAL

PHENOLIC

TEL

021-66745473  
021-66716806

TOLERANCE

SCALE

DRAW BY

FAX

021-66742368

 $0 < L \leq 4 \quad \pm 0.1$   
 $4 < L \leq 16 \quad \pm 0.2$   
 $16 < L \leq 63 \quad \pm 0.3$ 

4/1

CHECK BY

WEBSITE

selfelectronic.com

Pin pitch  $\pm 0.2$ 

UNIT

MM

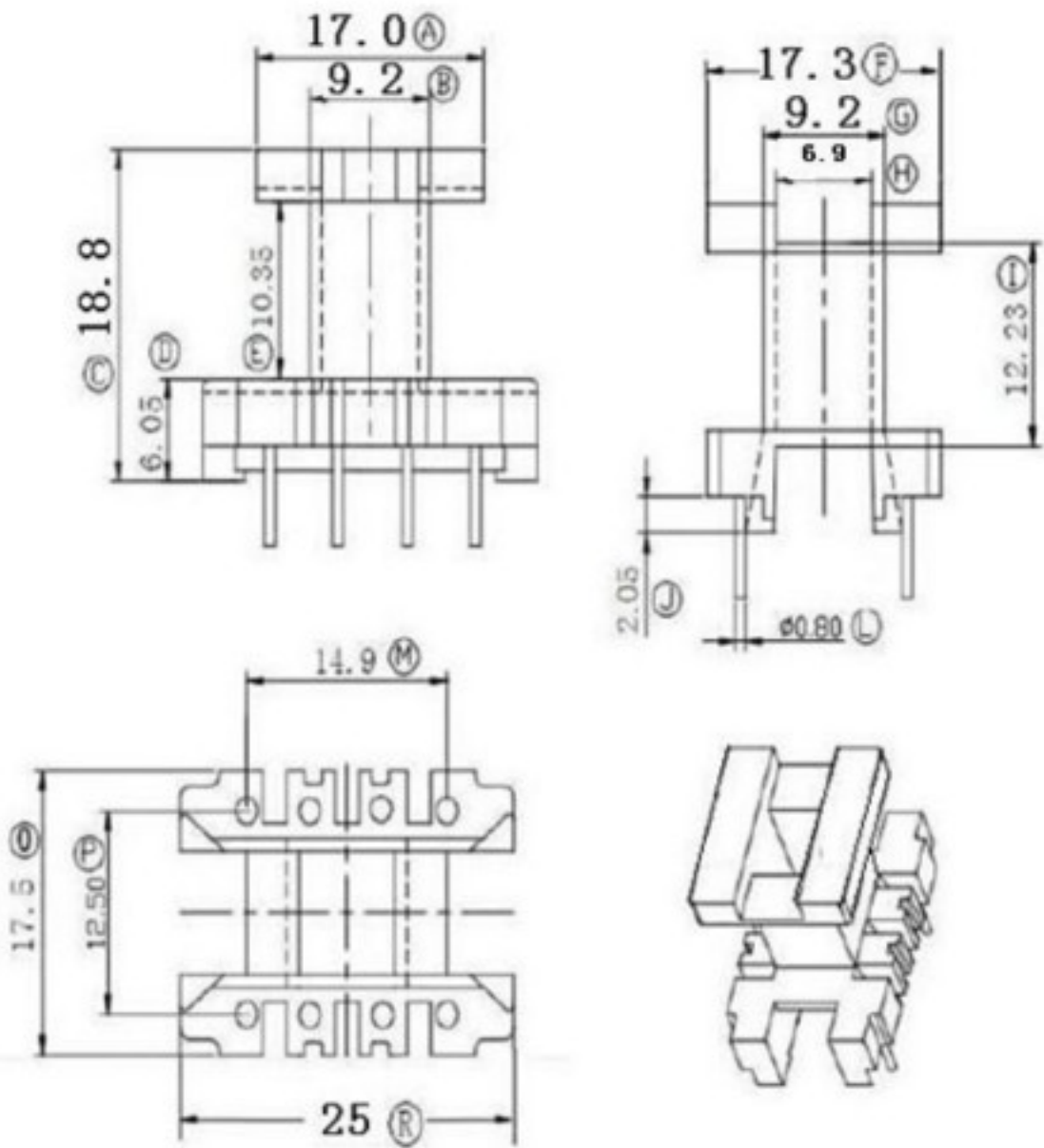
DATE

2014.10.18



(TYPE)

004050251081001



**Self Electronic**

MODEL



MATERIAL

PHENOLIC

TEL

021-66745473  
021-66716806

TOLERANCE

SCALE

DRAW BY

FAX

021-66742368

0 < L ≤ 4 ±0.1  
4 < L ≤ 16 ±0.2  
16 < L ≤ 63 ±0.3

4/1

CHECK BY I

WEBSITE

selfelectronic.com

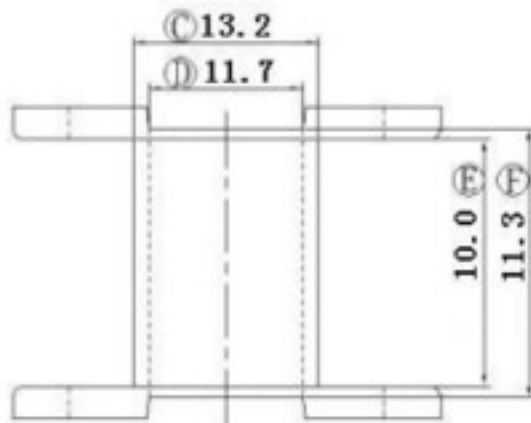
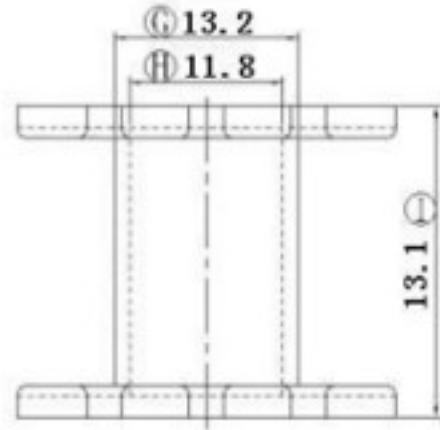
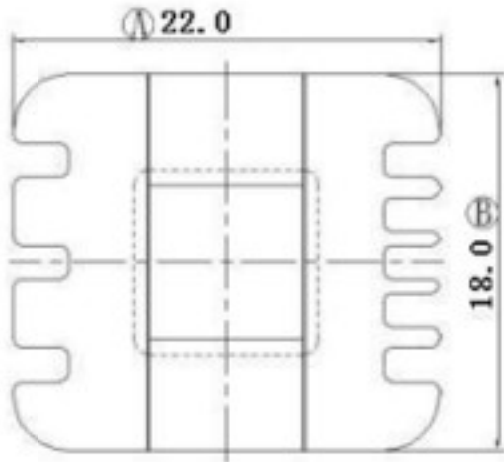
Pin pitch ±0.2

UNIT MM

DATE

2014.10.18

(TYPE) 030050281001001

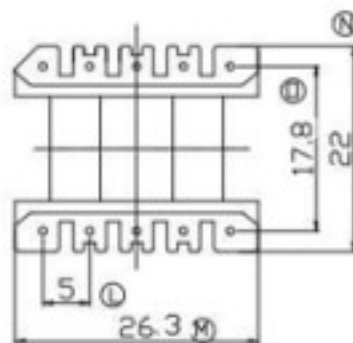
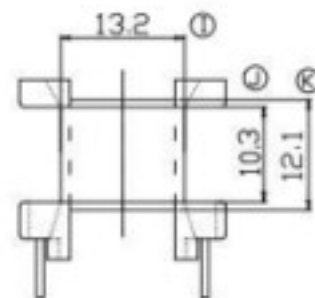
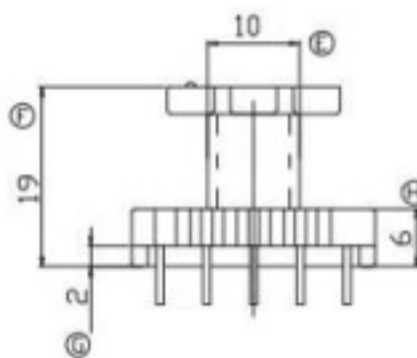
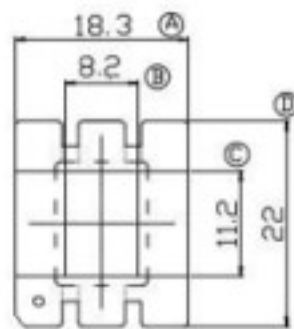


**Self  
Electronic**

MODEL	E28/10.5/11
MATERIAL	PBT
SCALE	DRAW BY
4/1	CHECK BY
UNIT	MM
DATE	2014.10.18

TEL	021-66745473 021-66716806	TOLERANCE
FAX	021-66742368	0 < L ≤ 4 ±0.1 4 < L ≤ 16 ±0.2 16 < L ≤ 63 ±0.3 Pin pitch ±0.2
WEBSITE	selfelectronic.com	

(TYPE) 001050281101001



### Self Electronic

MODEL E28/10.5/11 5+5

MATERIAL PHENOLIC

TEL 021-66745473  
021-66716806

TOLERANCE

SCALE

DRAW BY

FAX 021-66742368

 $0 < L \leq 4 \quad \pm 0.1$   
 $4 < L \leq 16 \quad \pm 0.2$ 

4/1

CHECK BY

WEBSITE selfelectronic.com

 $16 < L \leq 63 \quad \pm 0.3$   
 Pin pitch  $\pm 0.2$ 

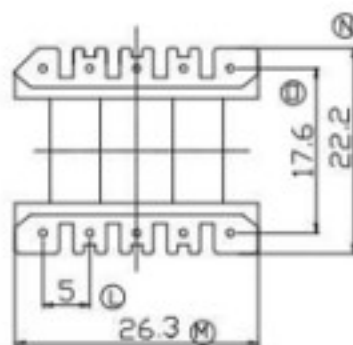
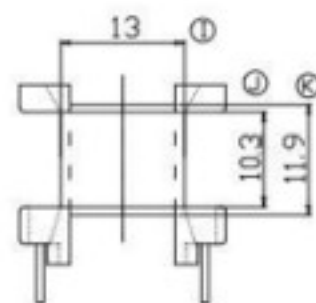
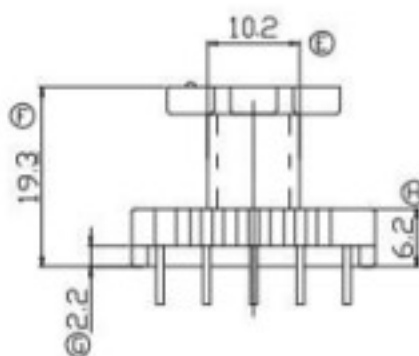
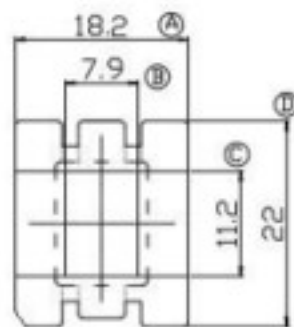
UNIT

MM

DATE

2014.10.18

(TYPE) 004050281101001



### Self Electronic

MODEL E28/10.5/11 5+5

MATERIAL PHENOLIC

TEL 021-66745473  
021-66716806

TOLERANCE

SCALE DRAW BY

FAX 021-66742368

0 &lt; L ≤ 4 ±0.1

4 &lt; L ≤ 16 ±0.2

16 &lt; L ≤ 63 ±0.3

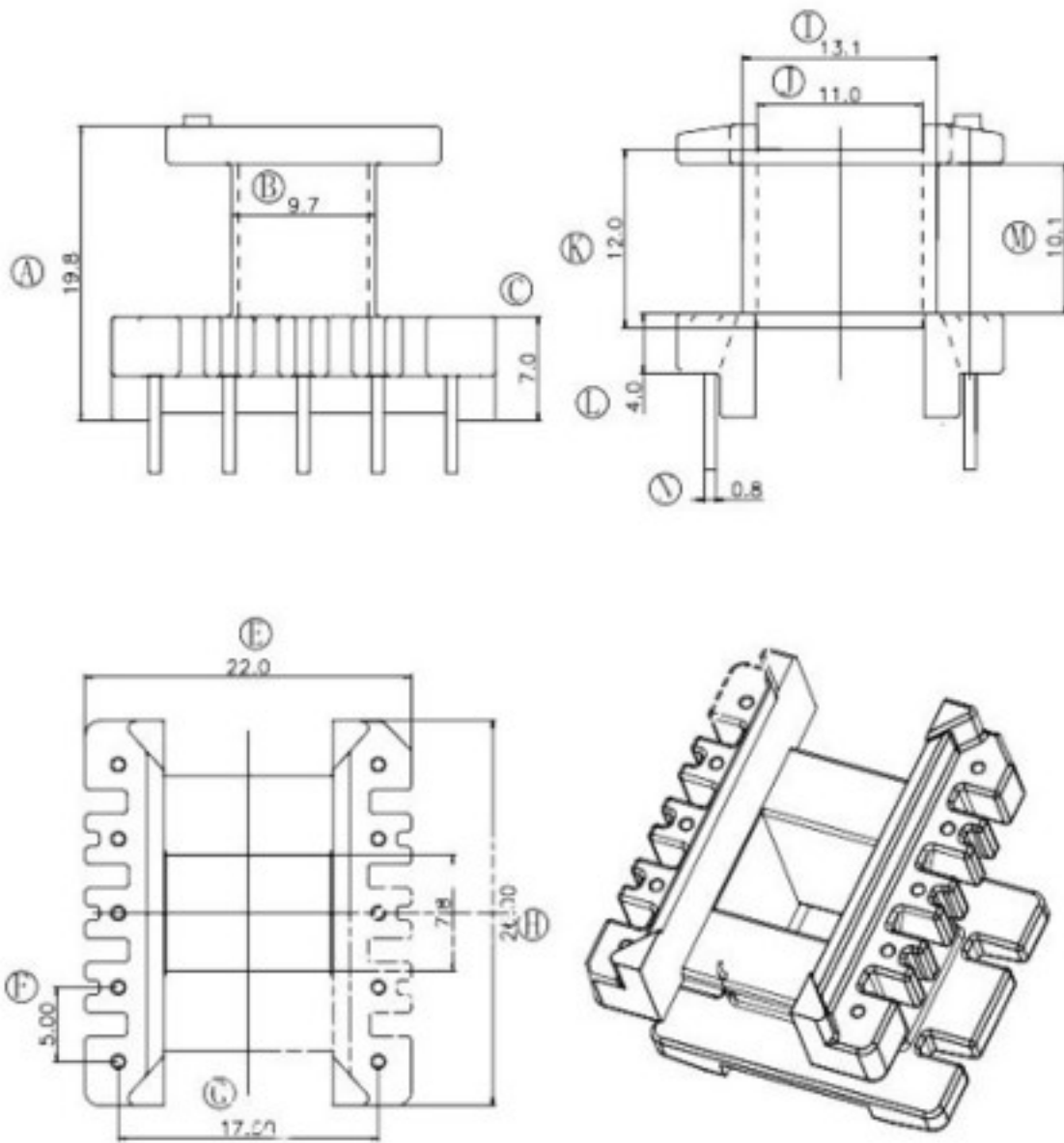
Pin pitch ±0.2

4/1 CHECK BY

WEBSITE selfelectronic.com

UNIT MM DATE 2014.10.18

(TYPE) 008050281101001



**Self  
Electronic**

MODEL E28/10.5/11 5+5

MATERIAL PHENOLIC

TEL 021-66745473  
021-66716806

TOLERANCE

SCALE DRAW BY

FAX 021-66742368

0 < L ≤ 4 ±0.1  
4 < L ≤ 16 ±0.2

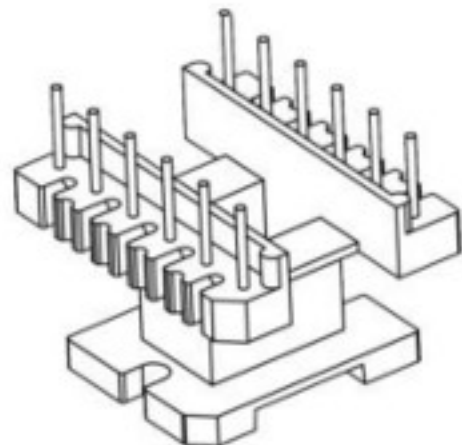
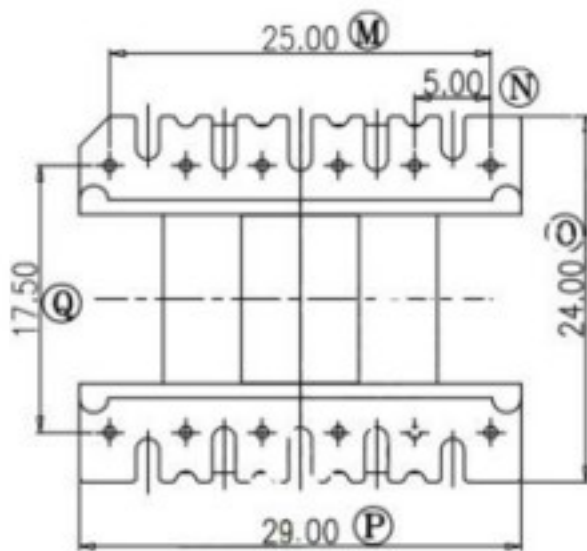
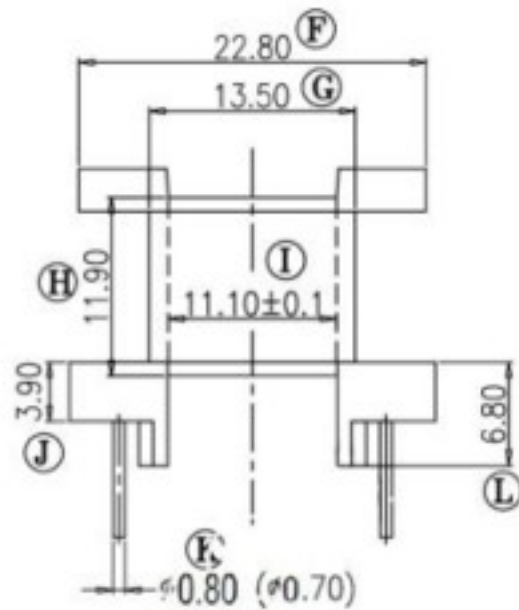
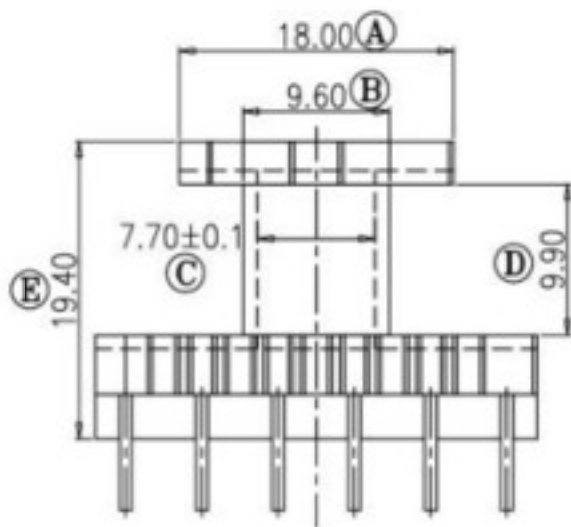
4/1 CHECK BY

WEBSITE selfelectronic.com

16 < L ≤ 63 ±0.3  
Pin pitch ±0.2

UNIT MM DATE 2014.10.18

(TYPE) 008050281121001



**Self  
Electronic**

MODEL E28/10.5/11 6+6

MATERIAL PHENOLIC

TEL 021-66745473  
021-66716806

TOLERANCE

SCALE DRAW BY

FAX 021-66742368

0 < L ≤ 4 ±0.1  
4 < L ≤ 16 ±0.2

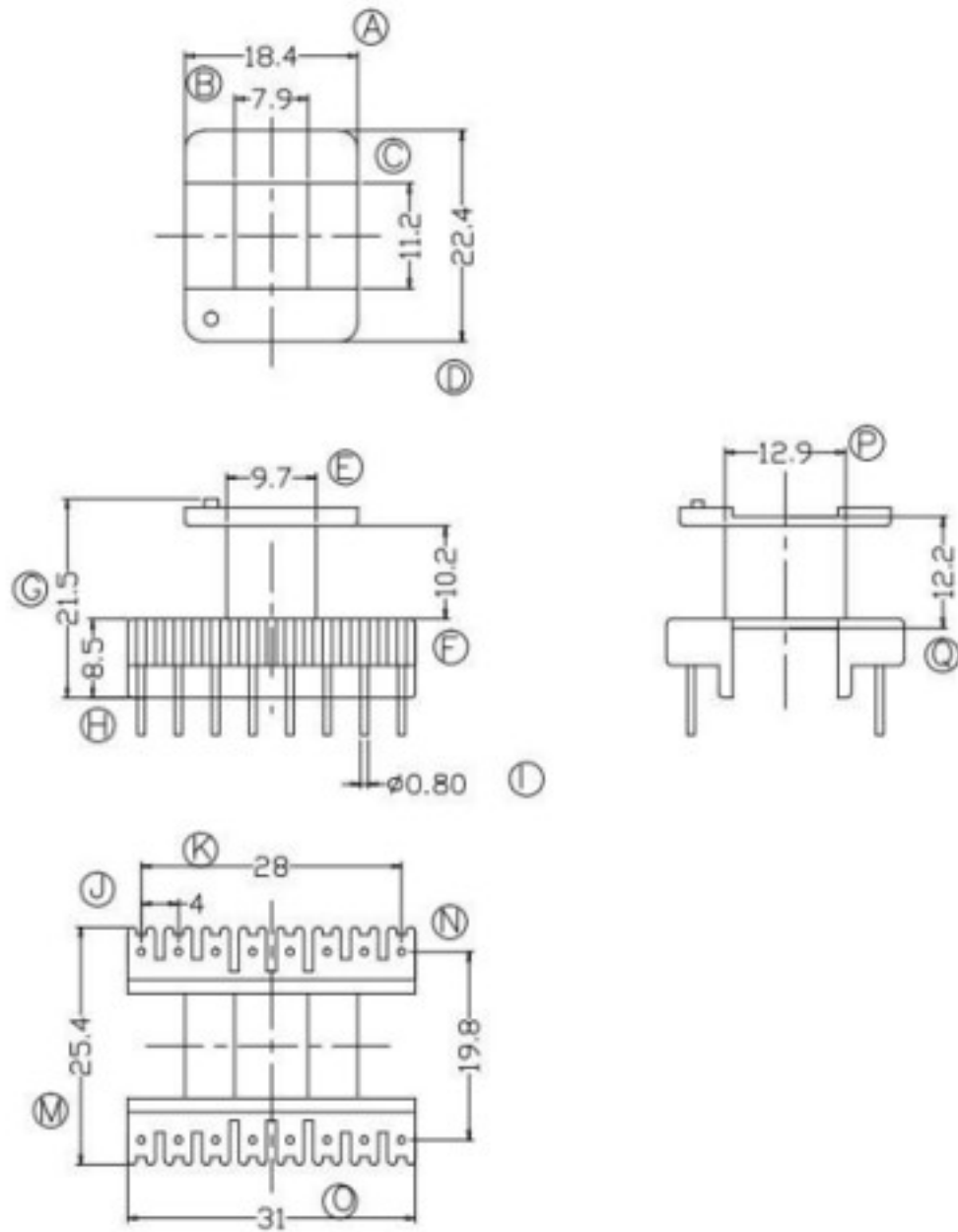
4/1 CHECK BY

WEBSITE selfelectronic.com

16 < L ≤ 63 ±0.3  
Pin pitch ±0.2

UNIT MM DATE 2014.10.18

(TYPE) 031050281161001



**Self Electronic**

MODEL E28/10.5/11 8+8

MATERIAL PHENOLIC

TEL 021-66745473  
021-66716806

TOLERANCE

SCALE DRAW BY

FAX 021-66742368

$0 < L \leq 4$   $\pm 0.1$   
 $4 < L \leq 16$   $\pm 0.2$

4/1 CHECK BY

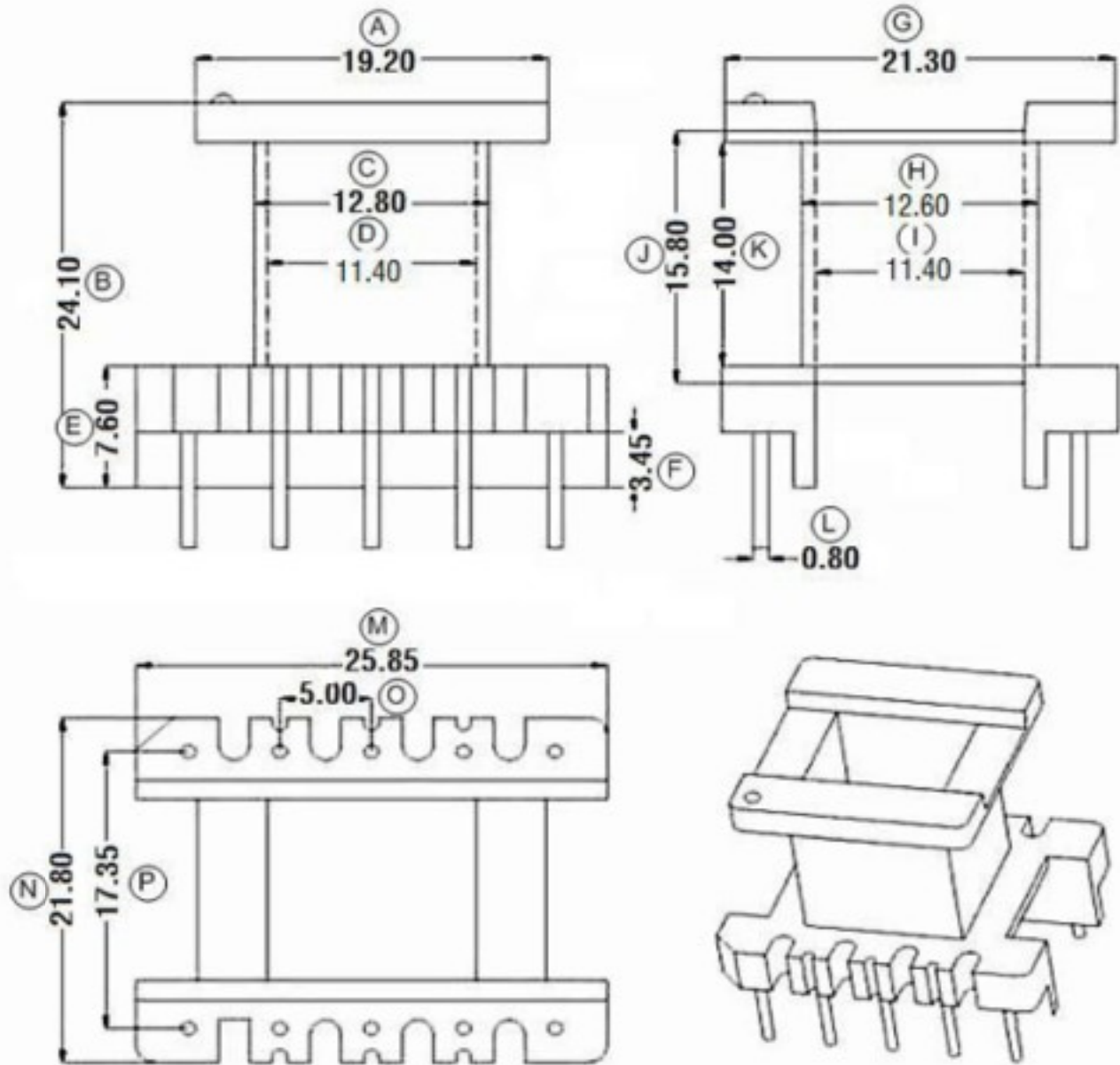
WEBSITE selfelectronic.com

$16 < L \leq 63$   $\pm 0.3$   
Pin pitch  $\pm 0.2$

UNIT MM DATE 2014.10.18

(TYPE)

006050301101001



### Self Electronic

MODEL

E30/13/11

5+5

MATERIAL

PHENOLIC

TEL

021-66745473  
021-66716806

TOLERANCE

SCALE

DRAW BY

FAX

021-66742368

 $0 < L \leq 4 \quad \pm 0.1$   
 $4 < L \leq 16 \quad \pm 0.2$ 

4/1

CHECK BY

WEBSITE

selfelectronic.com

 $16 < L \leq 63 \quad \pm 0.3$   
 Pin pitch  $\pm 0.2$ 

UNIT

MM

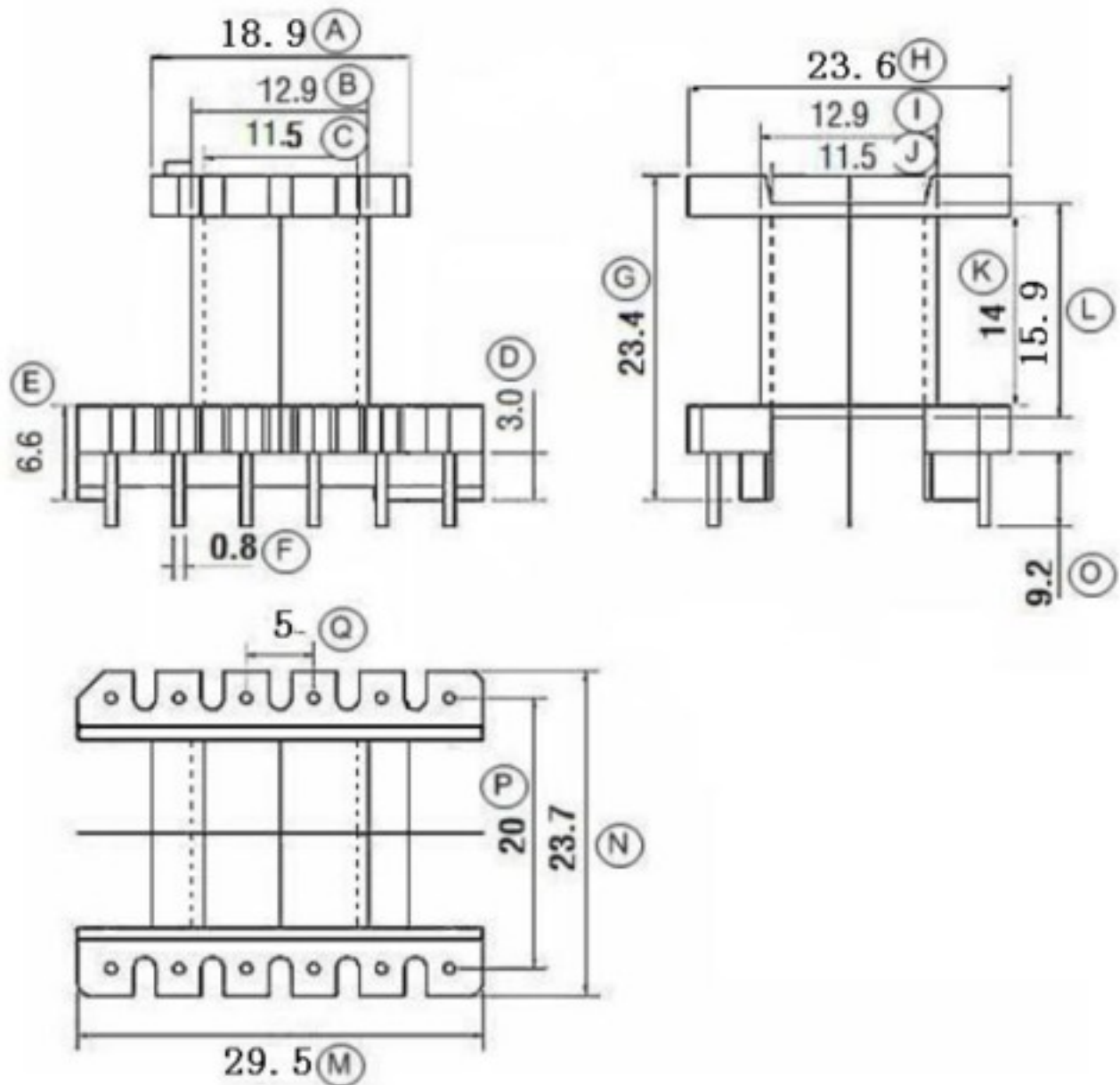
DATE

2014.10.18



(TYPE)

002050301121001



### Self Electronic

MODEL

E30/13/11

6+6

MATERIAL

PHENOLIC

TEL

021-66745473  
021-66716806

TOLERANCE

SCALE

DRAW BY

FAX

021-66742368

0 &lt; L ≤ 4 ±0.1

4 &lt; L ≤ 16 ±0.2

16 &lt; L ≤ 63 ±0.3

Pin pitch ±0.2

4/1

CHECK BY

WEBSITE

selfelectronic.com

UNIT

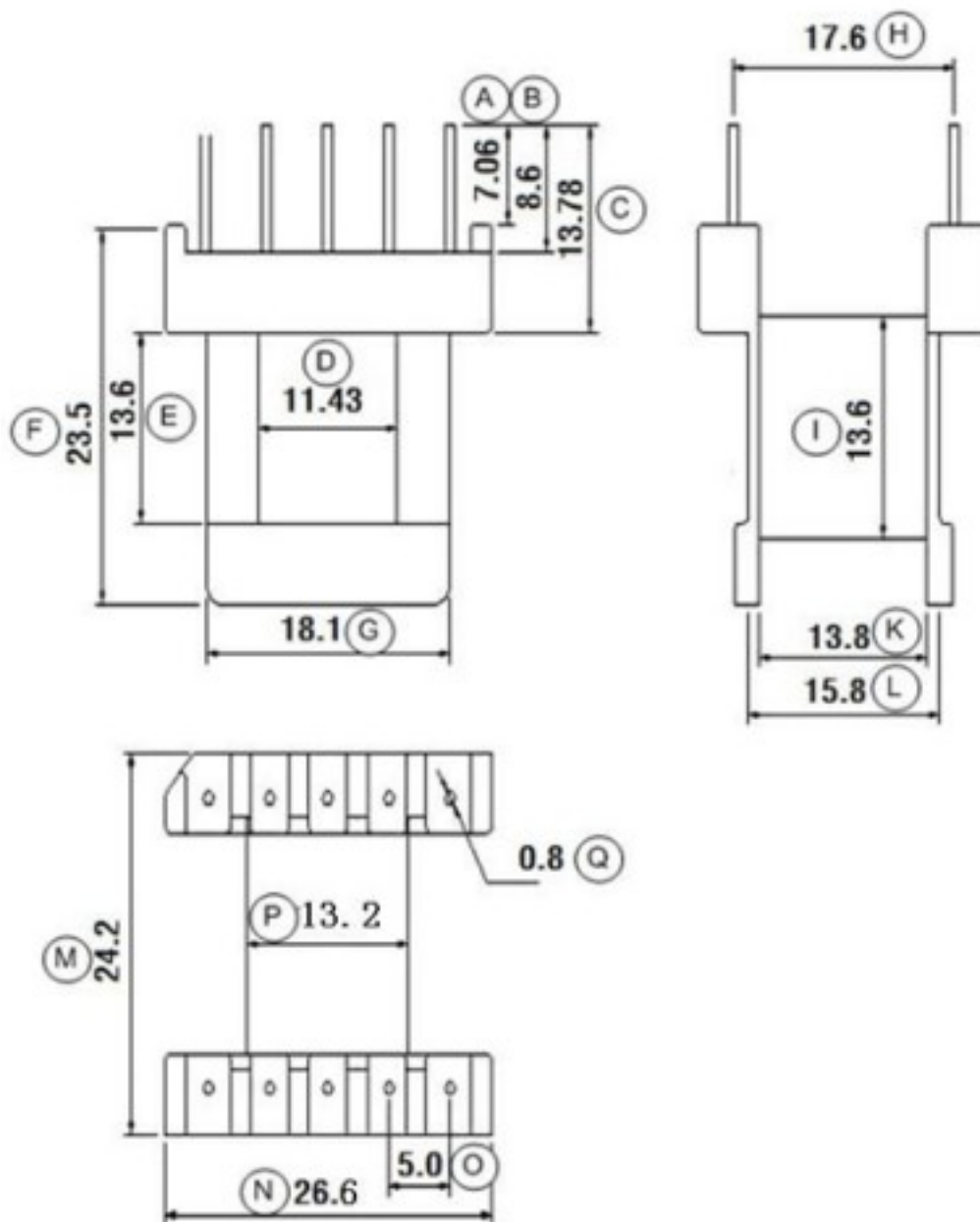
MM

DATE

2014.10.18

(TYPE)

002050302101001



### Self Electronic

MODEL

E30/13/11

5+5

MATERIAL

PHENOLIC

TEL

021-66745473  
021-66716806

TOLERANCE

SCALE

DRAW BY

FAX

021-66742368

 $0 < L \leq 4 \quad \pm 0.1$   
 $4 < L \leq 16 \quad \pm 0.2$ 

4/1

CHECK BY

WEBSITE

selfelectronic.com

 $16 < L \leq 63 \quad \pm 0.3$   
 Pin pitch  $\pm 0.2$ 

UNIT

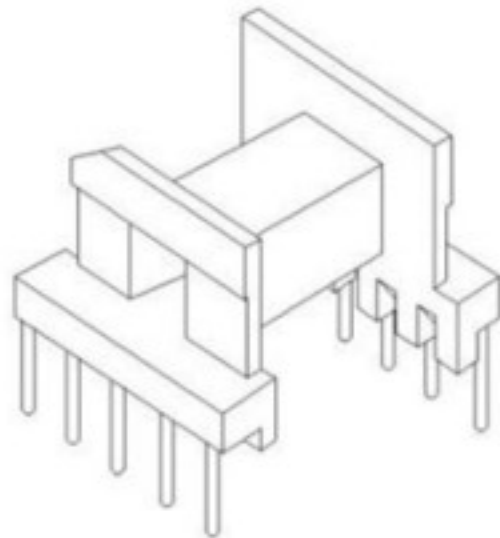
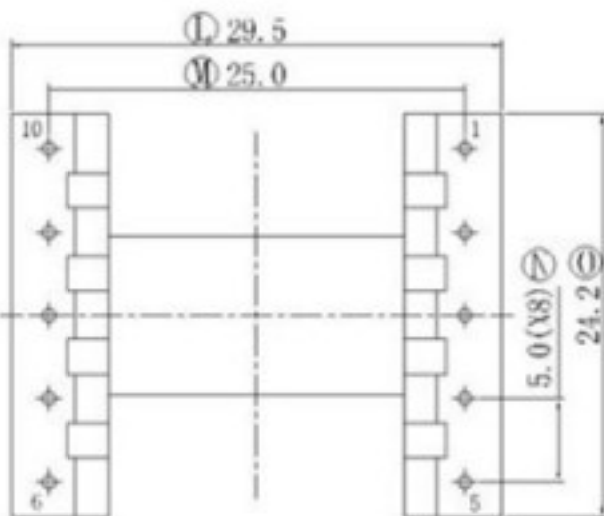
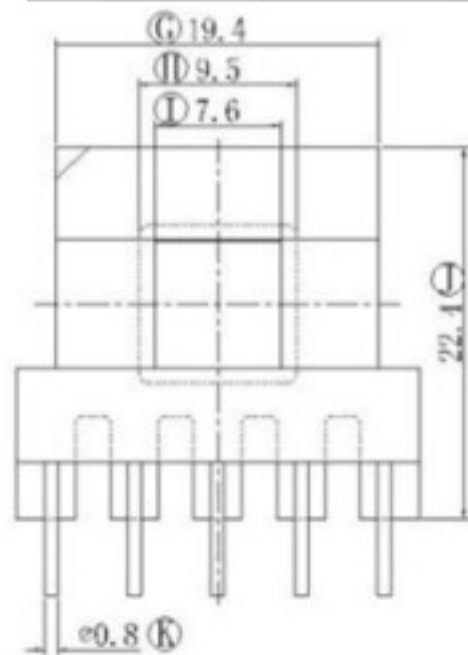
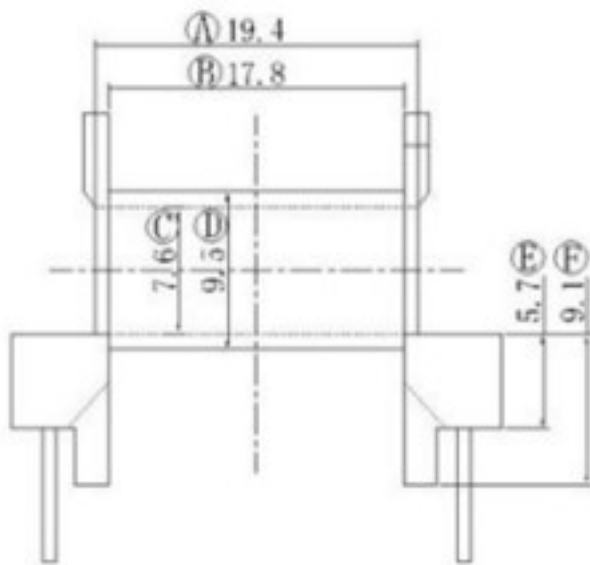
MM

DATE

2014.10.18

(TYPE)

010050302101001



**Self  
Electronic**

MODEL

E30/15/7 5+5

MATERIAL

PHENOLIC

TEL

021-66745473  
021-66716806

TOLERANCE

SCALE

DRAW BY

FAX

021-66742368

0 &lt; L ≤ 4 ±0.1

4 &lt; L ≤ 16 ±0.2

16 &lt; L ≤ 63 ±0.3

Pin pitch ±0.2

4/1

CHECK BY

WEBSITE

selfelectronic.com

UNIT

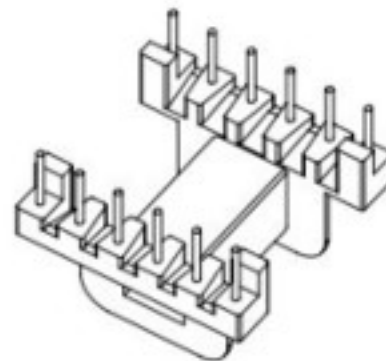
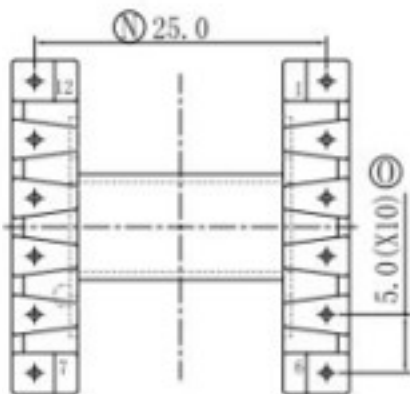
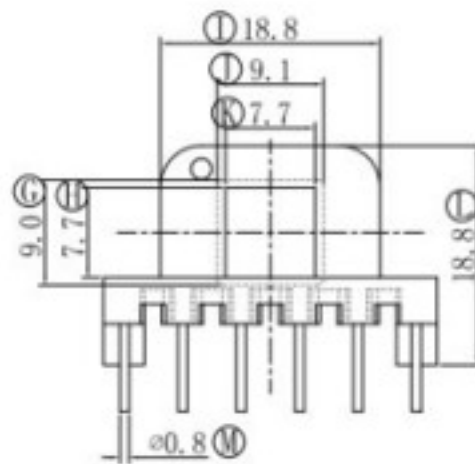
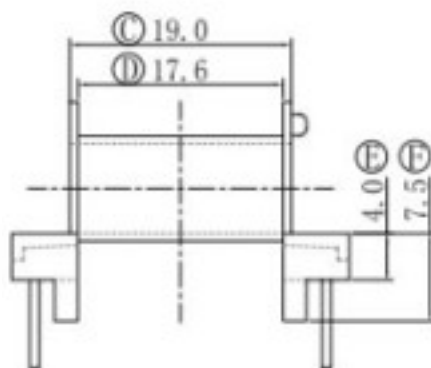
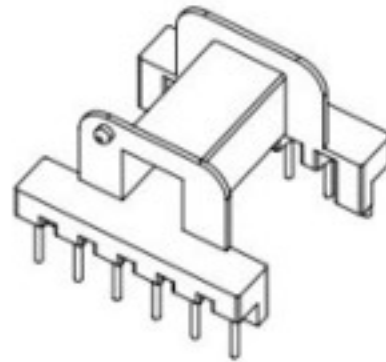
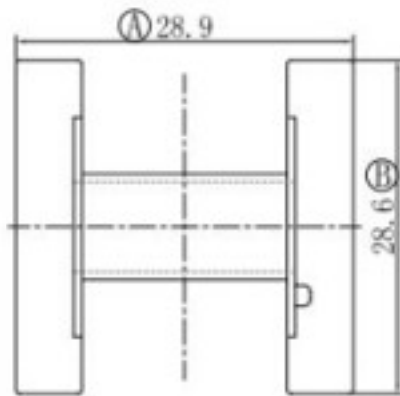
MM

DATE

2014.10.18

(TYPE)

010050302121001



**Self  
Electronic**

MODEL

E30/15/7

6+6

MATERIAL

PHENOLIC

TEL

021-66745473  
021-66716806

TOLERANCE

SCALE

DRAW BY

FAX

021-66742368

 $0 < L \leq 4 \quad \pm 0.1$   
 $4 < L \leq 16 \quad \pm 0.2$ 

4/1

CHECK BY

WEBSITE

selfelectronic.com

 $16 < L \leq 63 \quad \pm 0.3$   
 Pin pitch  $\pm 0.2$ 

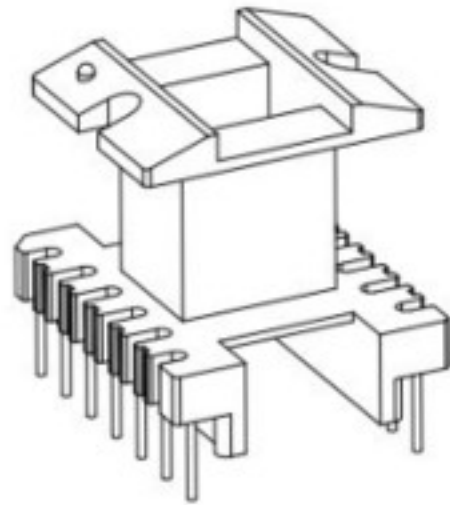
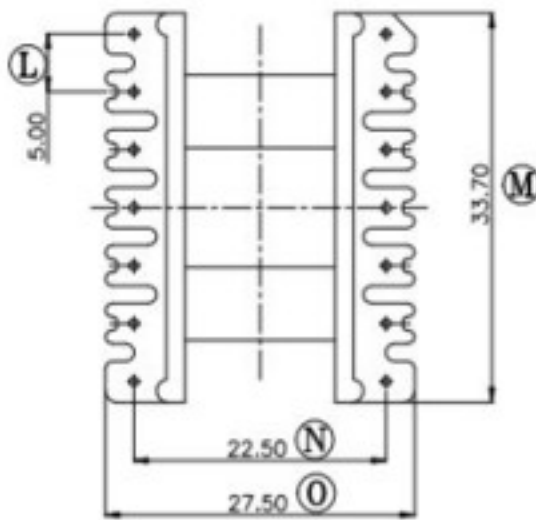
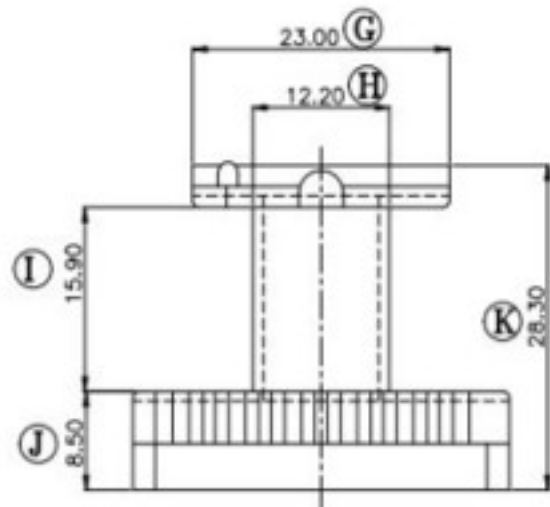
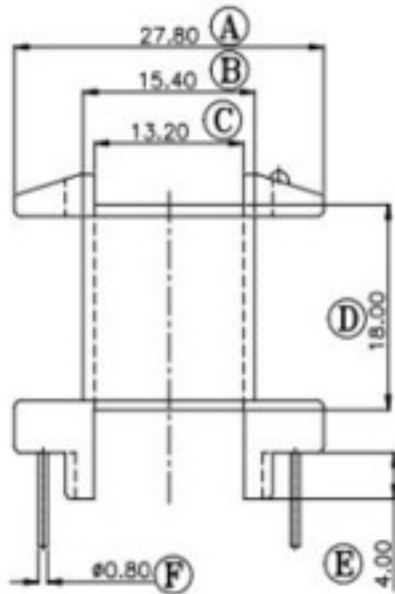
UNIT MM

DATE

2015.01.06

(TYPE)

009050331141001



**Self  
Electronic**

MODEL

E33/14/13 7+7

MATERIAL

PHENOLIC

TEL

021-66745473  
021-66716806

TOLERANCE

SCALE

DRAW BY

FAX

021-66742368

0 &lt; L ≤ 4 ±0.1

4 &lt; L ≤ 16 ±0.2

16 &lt; L ≤ 63 ±0.3

Pin pitch ±0.2

4/1

CHECK BY

WEBSITE

selfelectronic.com

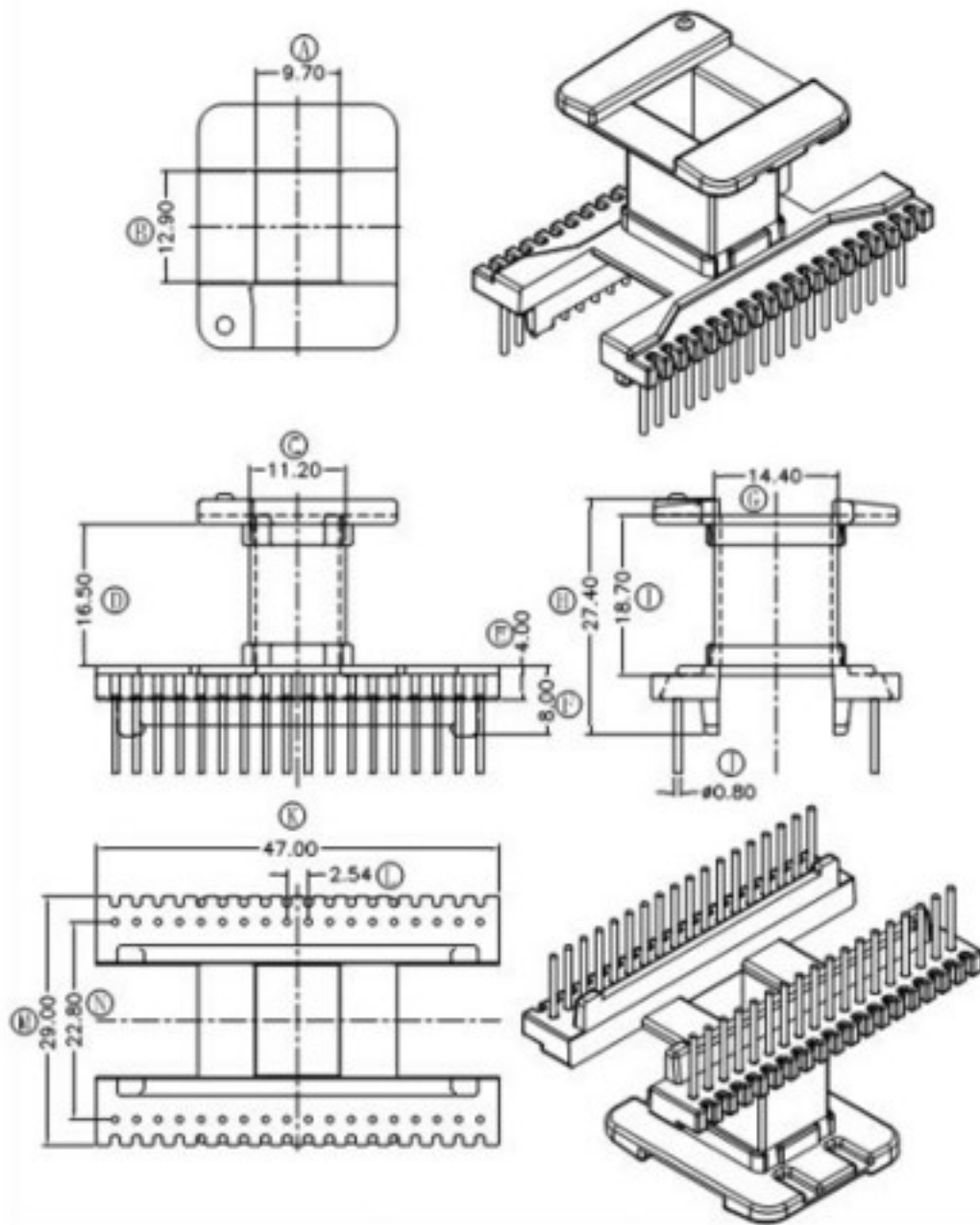
UNIT

MM

DATE

2015.11.16

(TYPE) 010050331361001



**Self  
Electronic**

MODEL E33/14/13 8+18

MATERIAL PHENOLIC

TEL 021-66745473  
021-66716806

TOLERANCE

SCALE DRAW BY

FAX 021-66742368

$0 < L \leq 4$   $\pm 0.1$   
 $4 < L \leq 16$   $\pm 0.2$   
 $16 < L \leq 63$   $\pm 0.3$

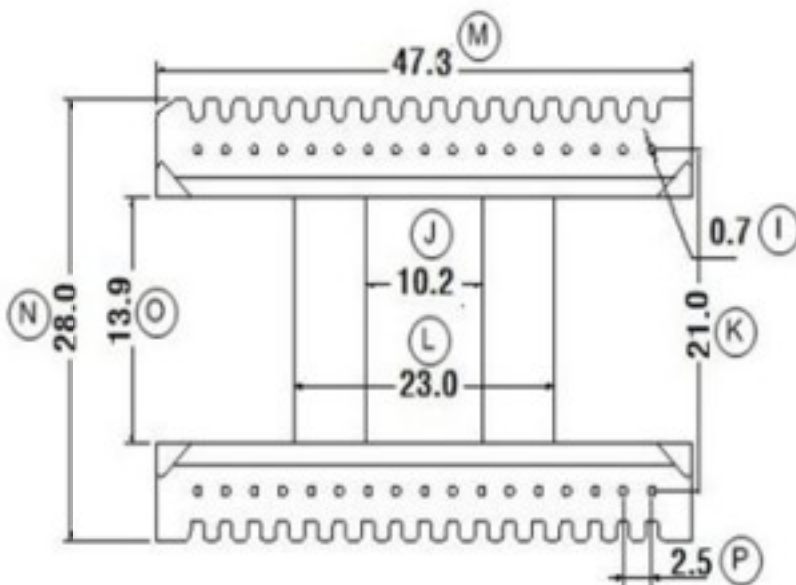
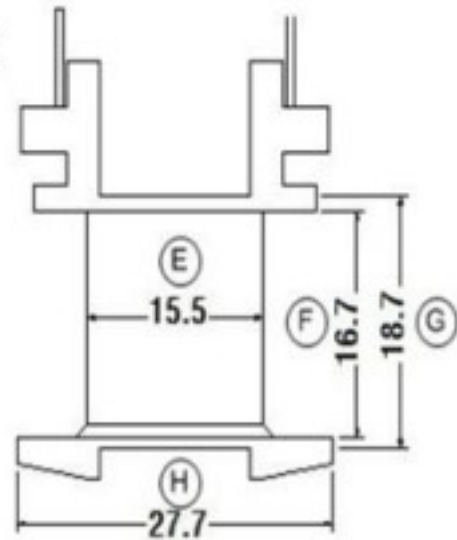
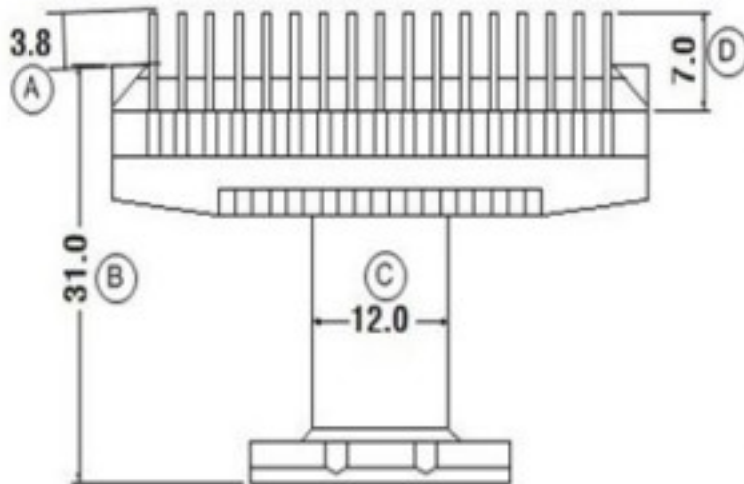
4/1 CHECK BY

WEBSITE selfelectronic.com

Pin pitch  $\pm 0.2$

UNIT MM DATE 2014.10.18

(TYPE) 072050331371101



**Self  
Electronic**

MODEL E33/14/13 7+17

MATERIAL PHENOLIC

TEL 021-66745473  
021-66716806

TOLERANCE

SCALE DRAW BY

FAX 021-66742368

$0 < L \leq 4$   $\pm 0.1$   
 $4 < L \leq 16$   $\pm 0.2$

4/1 CHECK BY

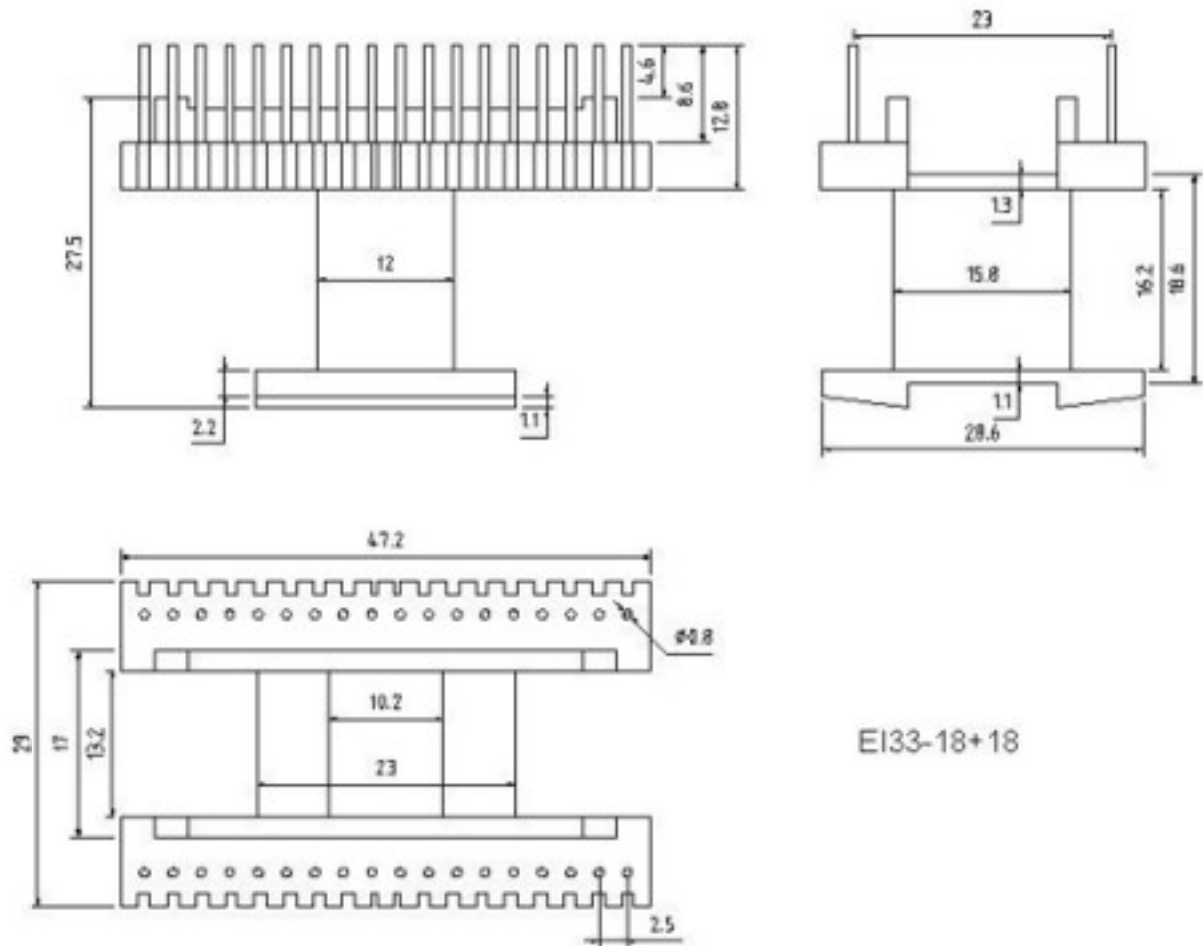
WEBSITE selfelectronic.com

$16 < L \leq 63$   $\pm 0.3$   
Pin pitch  $\pm 0.2$

UNIT MM DATE 2014.10.18

(TYPE)

072050331361101



EI33-18+18

**Self  
Electronic**

MODEL

E33/14/13

8+18

MATERIAL

PHENOLIC

TEL

021-66745473  
021-66716806

TOLERANCE

SCALE

DRAW BY

FAX

021-66742368

 $0 < L \leq 4 \quad \pm 0.1$   
 $4 < L \leq 16 \quad \pm 0.2$ 

4/1

CHECK BY E

WEBSITE

selfelectronic.com

 $16 < L \leq 63 \quad \pm 0.3$   
 Pin pitch  $\pm 0.2$ 

UNIT MM

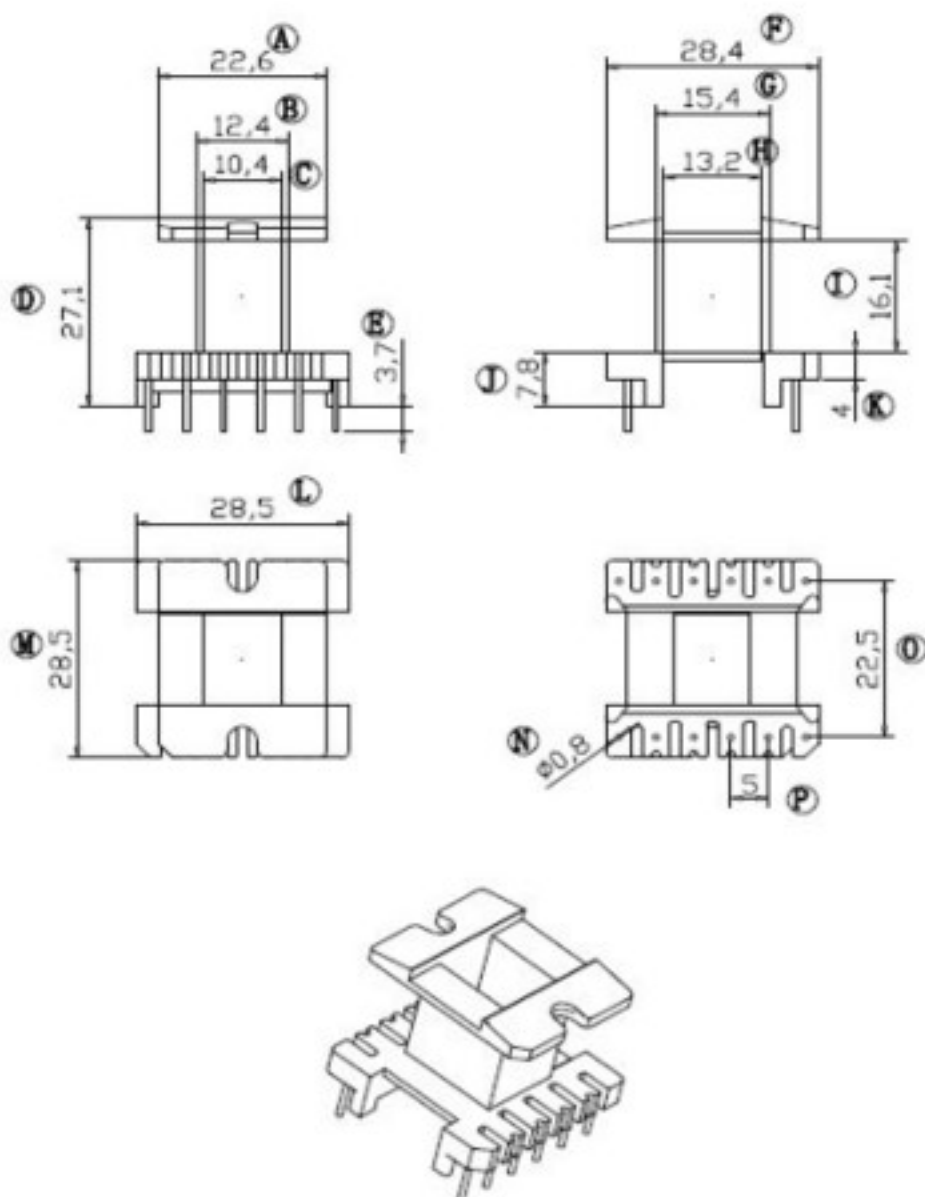
DATE

2014.10.18



(TYPE)

031050331121001



**Self  
Electronic**

MODEL

E33/14/13 6+6

MATERIAL

PHENOLIC

TEL

021-66745473  
021-66716806

TOLERANCE

SCALE

DRAW BY

FAX

021-66742368

0 &lt; L ≤ 4 ±0.1

4 &lt; L ≤ 16 ±0.2

16 &lt; L ≤ 63 ±0.3

Pin pitch ±0.2

4/1

CHECK BY

WEBSITE

selfelectronic.com

UNIT

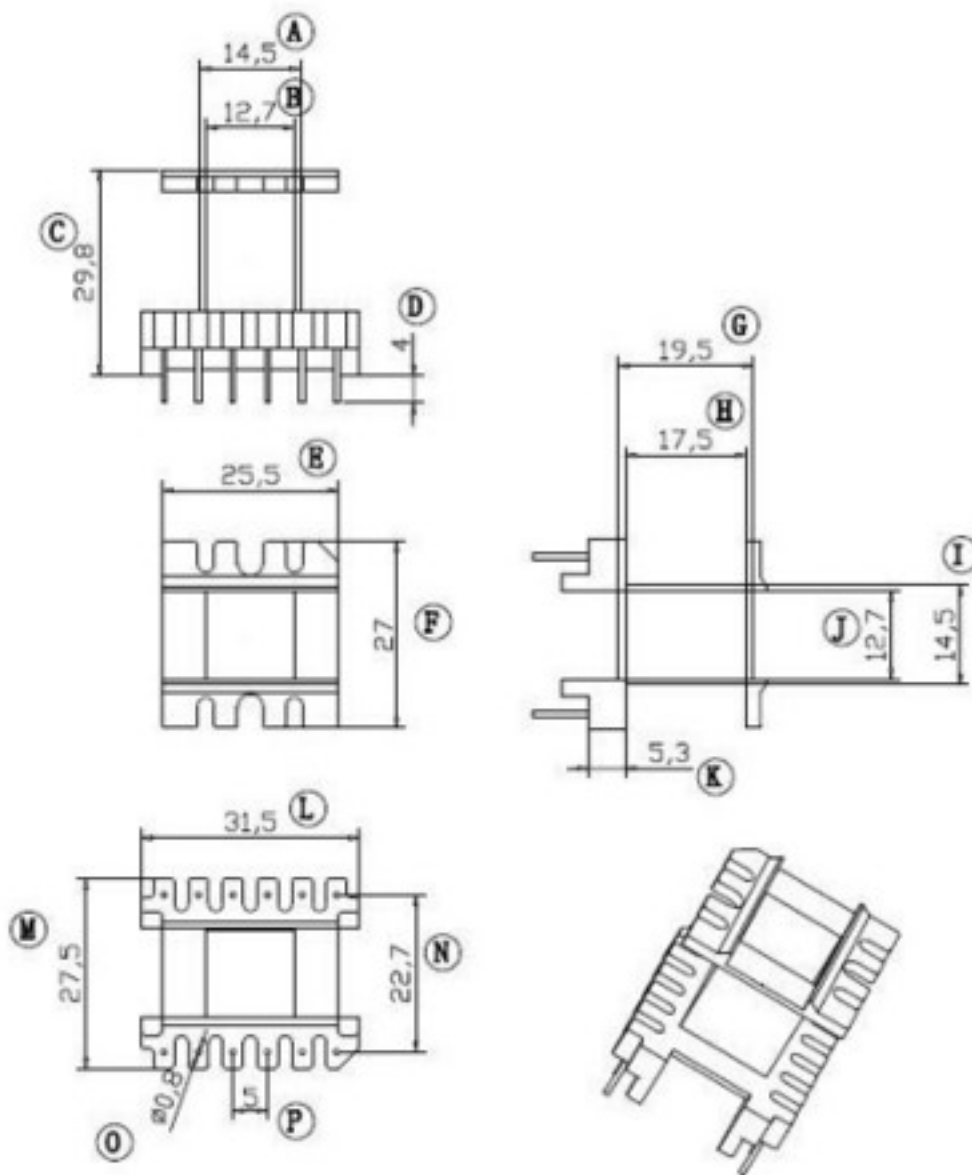
MM

DATE

2014.10.10

(TYPE)

031050401121001



### Self Electronic

MODEL

E40/17/11

6+6

MATERIAL

PHENOLIC

TEL

021-66745473  
021-66716806

TOLERANCE

SCALE

DRAW BY

FAX

021-66742368

0 < L ≤ 4 ±0.1  
4 < L ≤ 16 ±0.2

4/1

CHECK BY

WEBSITE

selfelectronic.com

16 < L ≤ 63 ±0.3  
Pin pitch ±0.2

UNIT

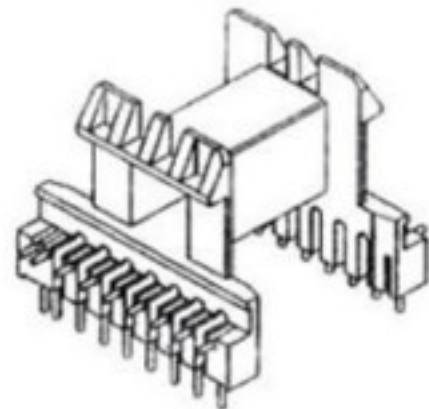
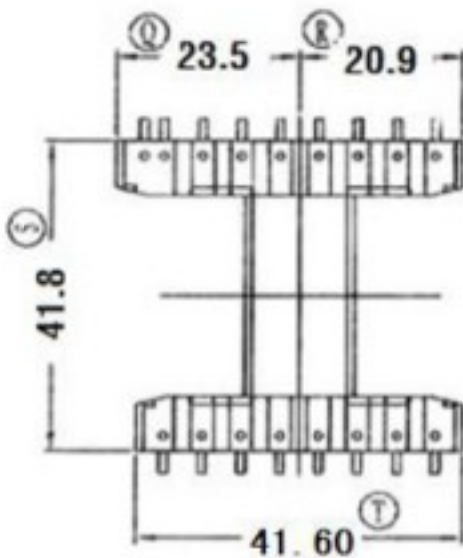
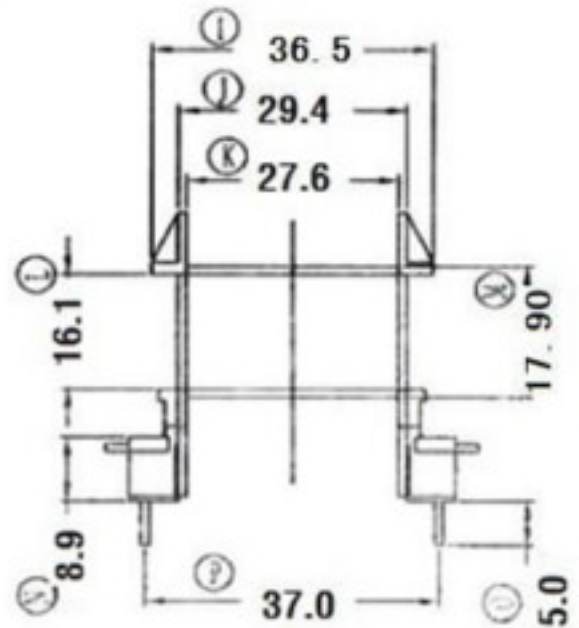
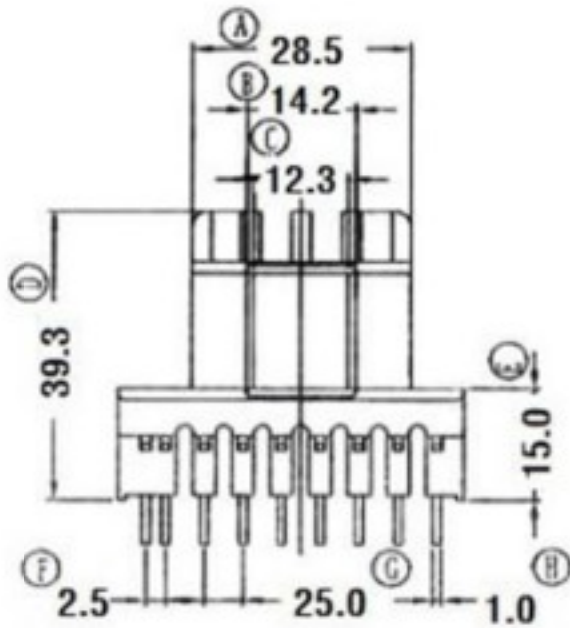
MM

DATE

2014.10.10

(TYPE)

010050422171101



**Self  
Electronic**

MODEL

E42/21/15

8+9

MATERIAL

PBT

TEL

021-66745473  
021-66716806

TOLERANCE

SCALE

DRAW BY

FAX

021-66742368

 $0 < L \leq 4 \quad \pm 0.1$   
 $4 < L \leq 16 \quad \pm 0.2$   
 $16 < L \leq 63 \quad \pm 0.3$ 

4/1

CHECK BY

WEBSITE

selfelectronic.com

Pin pitch  $\pm 0.2$ 

UNIT

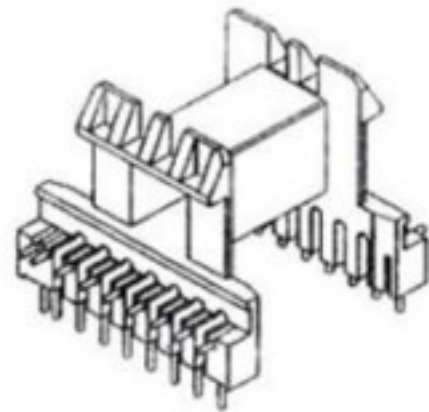
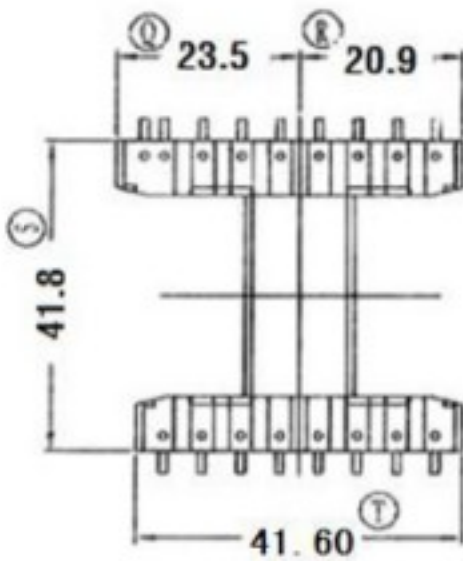
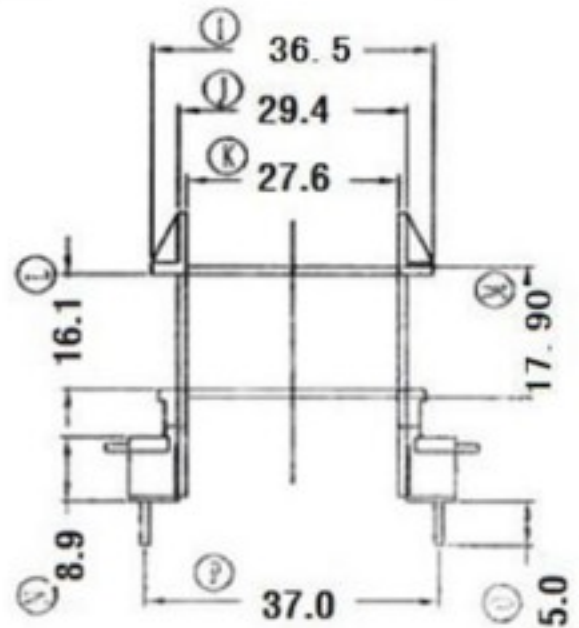
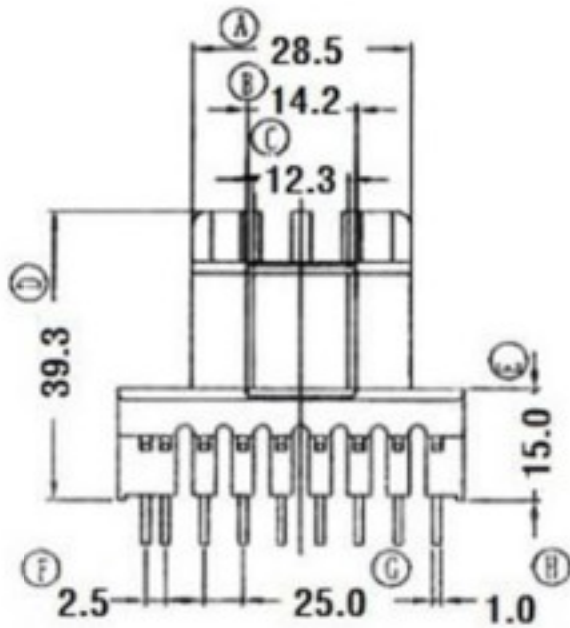
MM

DATE

2014.10.18

(TYPE)

010050422171101



**Self  
Electronic**

MODEL

E42/21/15

8+9

MATERIAL

PBT

TEL

021-66745473  
021-66716806

TOLERANCE

SCALE

DRAW BY

FAX

021-66742368

 $0 < L \leq 4 \quad \pm 0.1$   
 $4 < L \leq 16 \quad \pm 0.2$   
 $16 < L \leq 63 \quad \pm 0.3$ 

4/1

CHECK BY

WEBSITE

selfelectronic.com

Pin pitch  $\pm 0.2$ 

UNIT

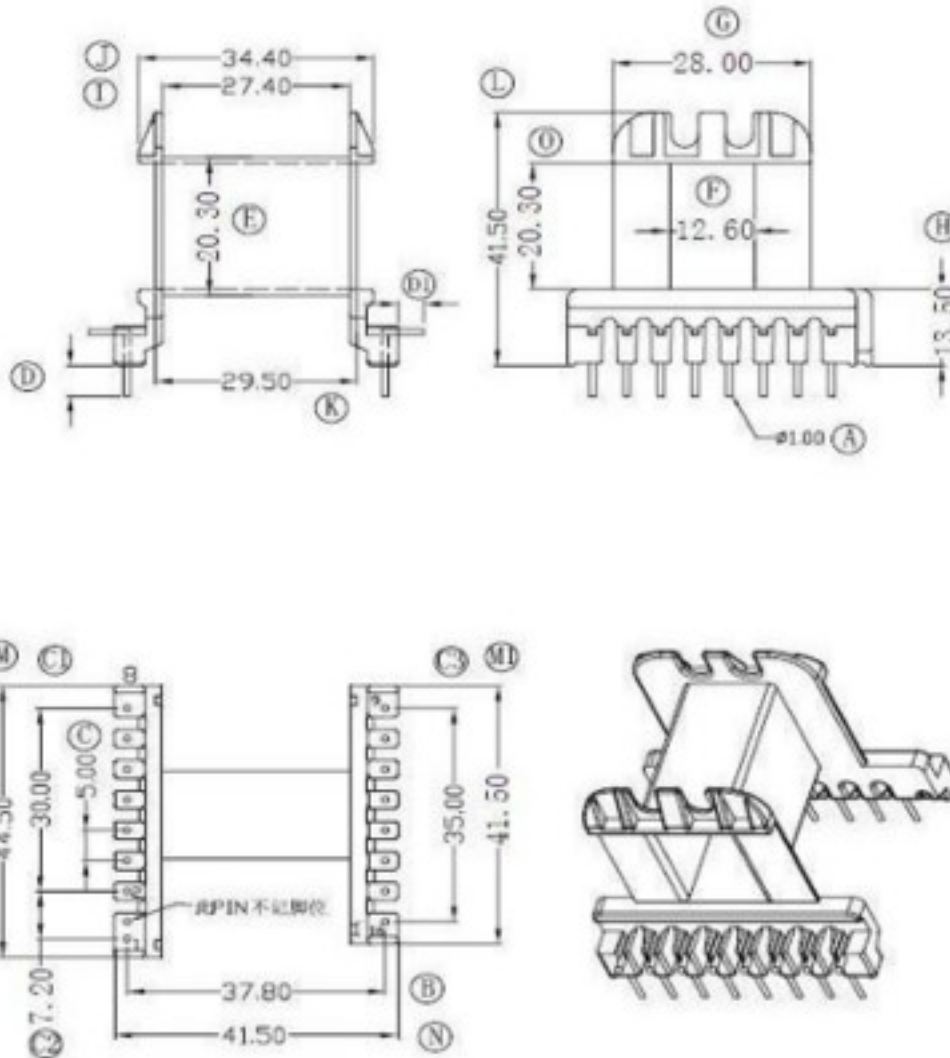
MM

DATE

2014.10.18

(TYPE)

010050422161001



**Self  
Electronic**

MODEL

E42/21/20

8+8

MATERIAL

PBT

TEL

021-66745473  
021-66716806

TOLERANCE

SCALE

DRAW BY

FAX

021-66742368

0 &lt; L ≤ 4 ±0.1

4 &lt; L ≤ 16 ±0.2

16 &lt; L ≤ 63 ±0.3

Pin pitch ±0.2

4/1

CHECK BY

WEBSITE

selfelectronic.com

UNIT

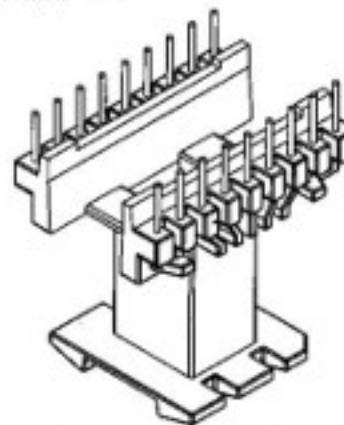
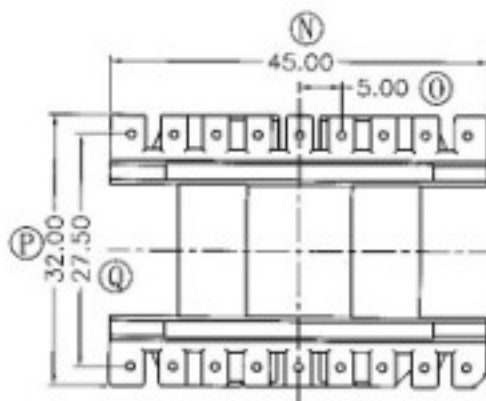
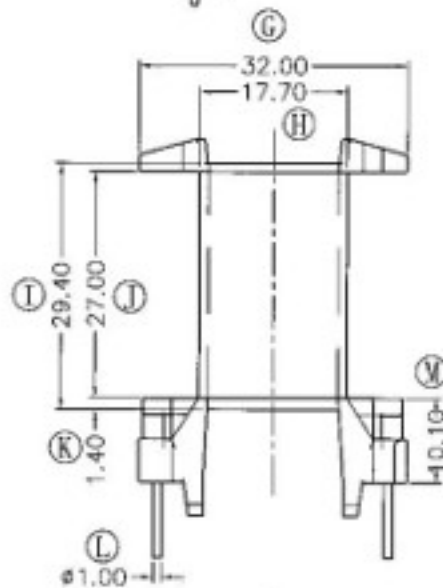
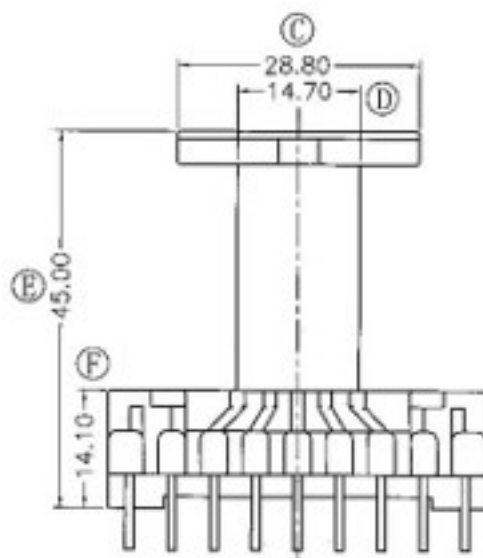
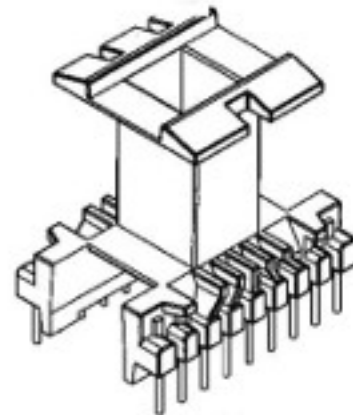
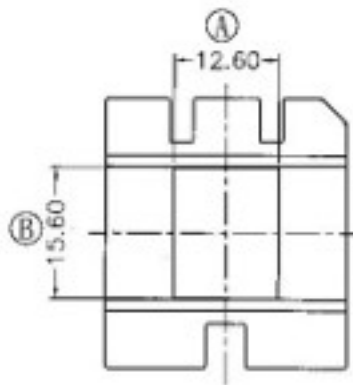
MM

DATE

2014.10.18

(TYPE)

010050421181002



**Self  
Electronic**

MODEL

E42/21/15

9+ 9

MATERIAL

PHENOLIC

TEL

021-66745473  
021-66716806

TOLERANCE

SCALE

DRAW BY

FAX

021-66742368

 $0 < L \leq 4 \quad \pm 0.1$   
 $4 < L \leq 16 \quad \pm 0.2$   
 $16 < L \leq 63 \quad \pm 0.3$   
 Pin pitch  $\pm 0.2$ 

4/1

CHECK BY

WEBSITE

selfelectronic.com

UNIT

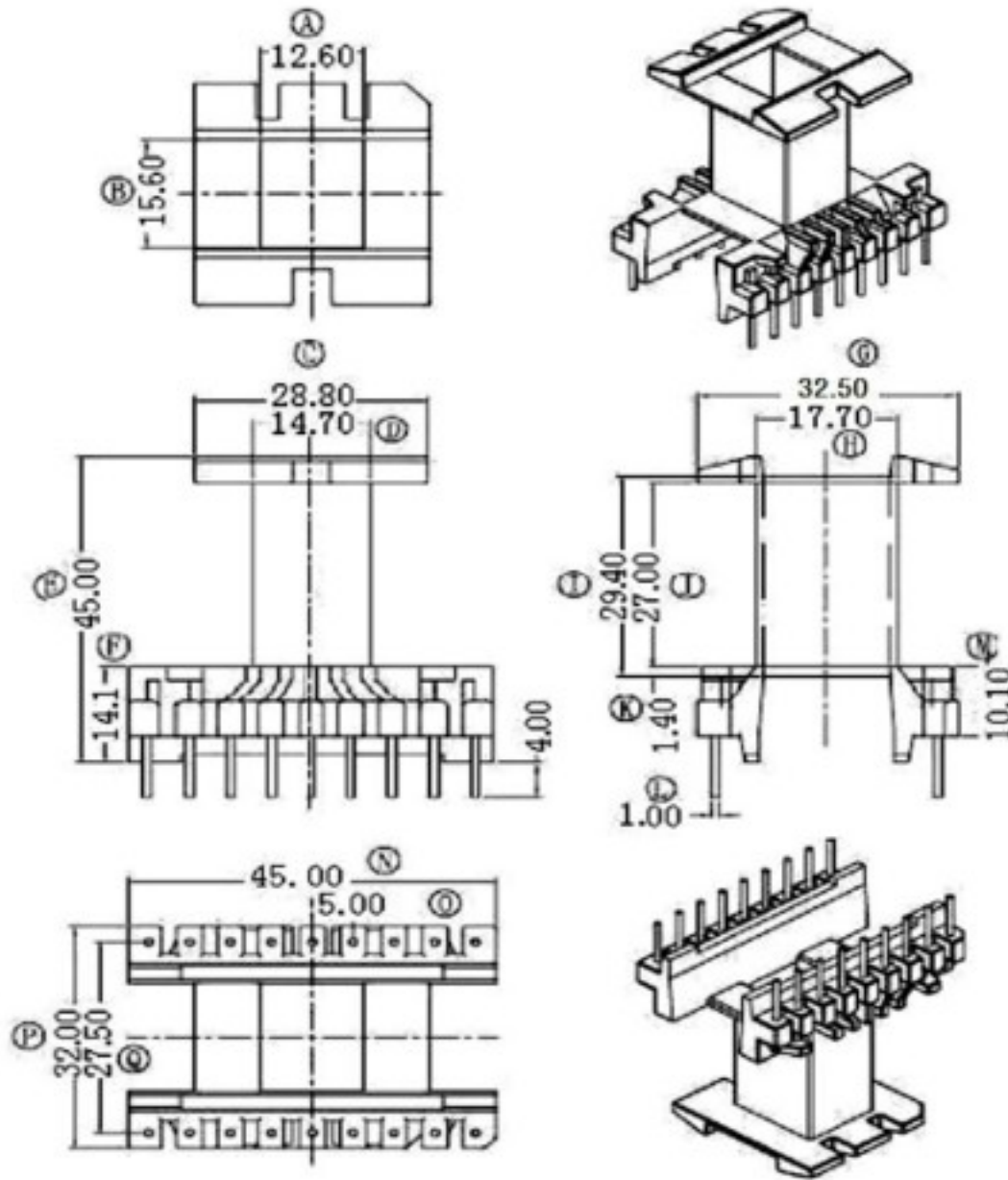
MM

DATE

2014.10.18

(TYPE)

053050421181101



### Self Electronic

MODEL

E42/21/15

9+ 9

MATERIAL

PHENOLIC

TEL

021-66745473  
021-66716806

TOLERANCE

SCALE

DRAW BY

FAX

021-66742368

 $0 < L \leq 4 \quad \pm 0.1$   
 $4 < L \leq 16 \quad \pm 0.2$ 

4/1

CHECK BY

WEBSITE

selfelectronic.com

 $16 < L \leq 63 \quad \pm 0.3$   
 Pin pitch  $\pm 0.2$ 

UNIT

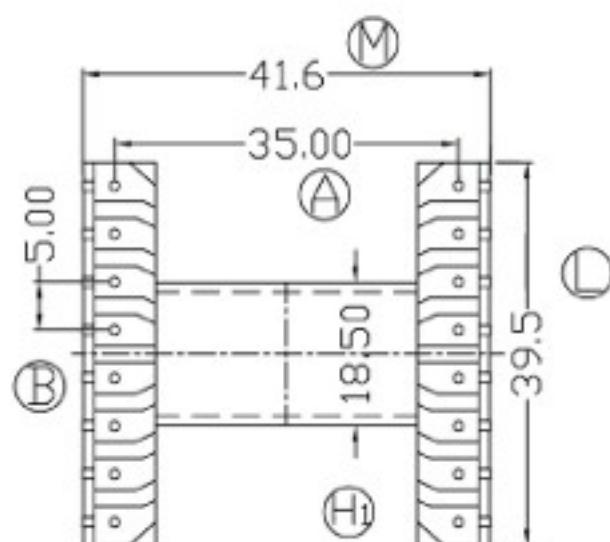
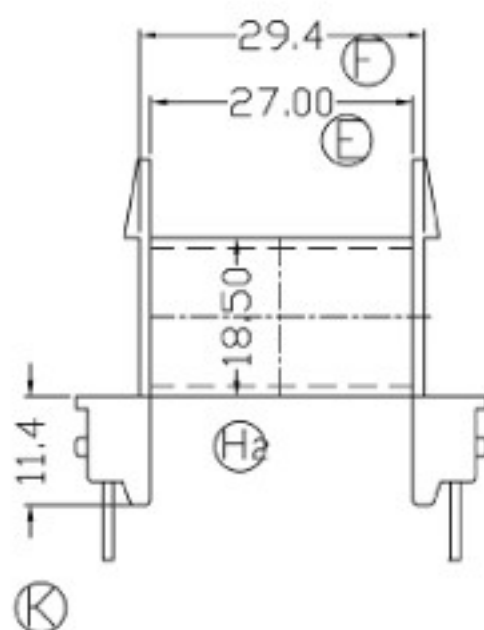
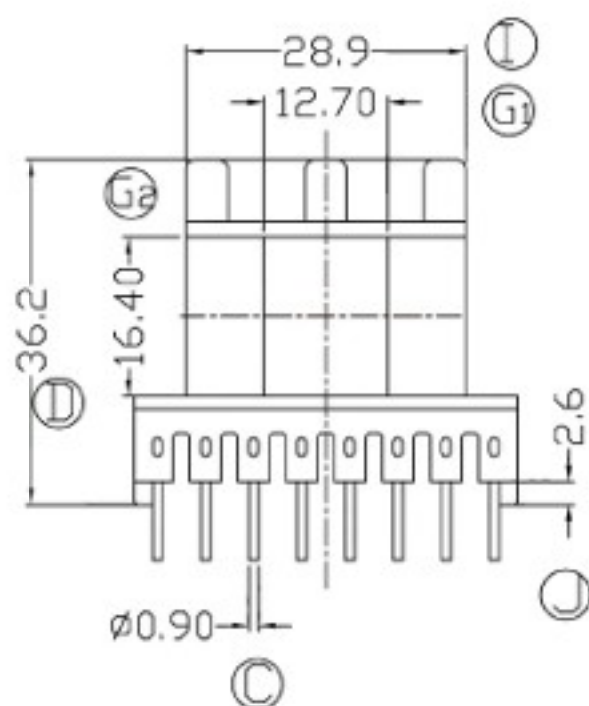
MM

DATE

2014.10.18

(TYPE)

005050422161001



**Self  
Electronic**

MODEL

E42/21/15

8+8

MATERIAL

PHENOLIC

TEL

021-66745473  
021-66716806

TOLERANCE

SCALE

DRAW BY

FAX

021-66742368

0 &lt; L ≤ 4 ±0.1

4 &lt; L ≤ 16 ±0.2

16 &lt; L ≤ 63 ±0.3

Pin pitch ±0.2

4/1

CHECK BY

WEBSITE

selfelectronic.com

UNIT

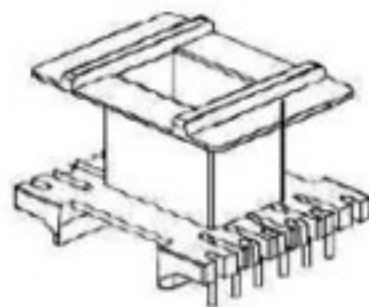
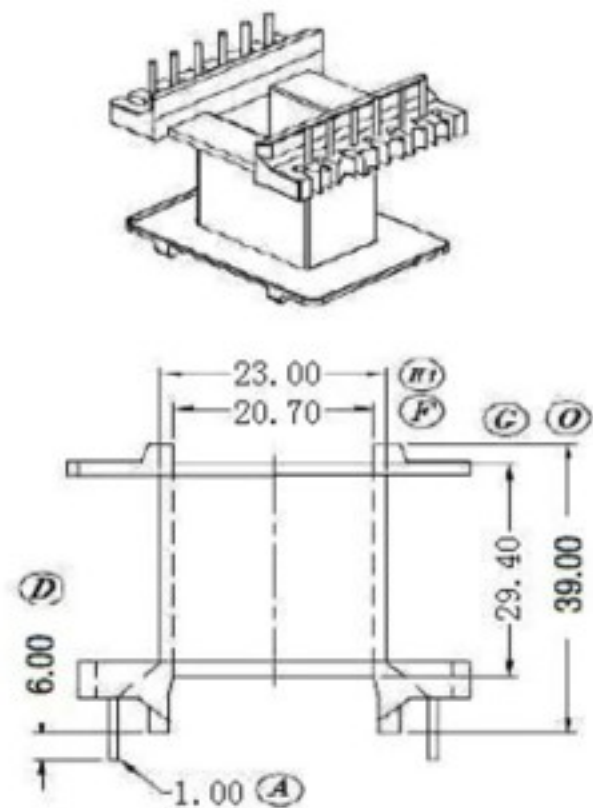
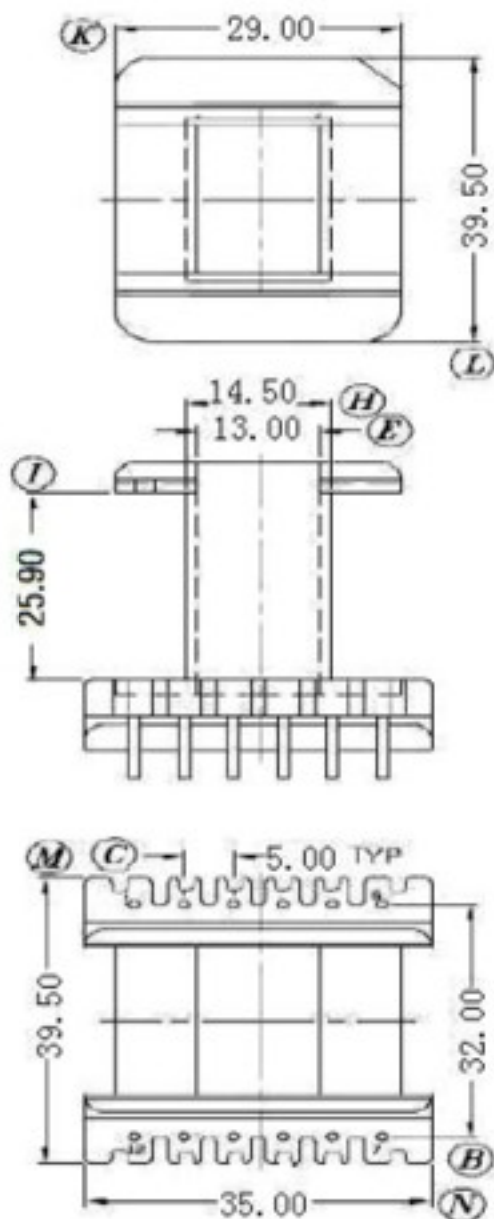
MM

DATE

2014.10.18



(TYPE) 092050421121001



### Self Electronic

MODEL E42/21/20 6+6

MATERIAL PHENOLIC

TEL 021-66745473  
021-66716806

TOLERANCE

SCALE DRAW BY

FAX 021-66742368

0 &lt; L ≤ 4 ±0.1

4 &lt; L ≤ 16 ±0.2

4/1 CHECK BY

WEBSITE selfelectronic.com

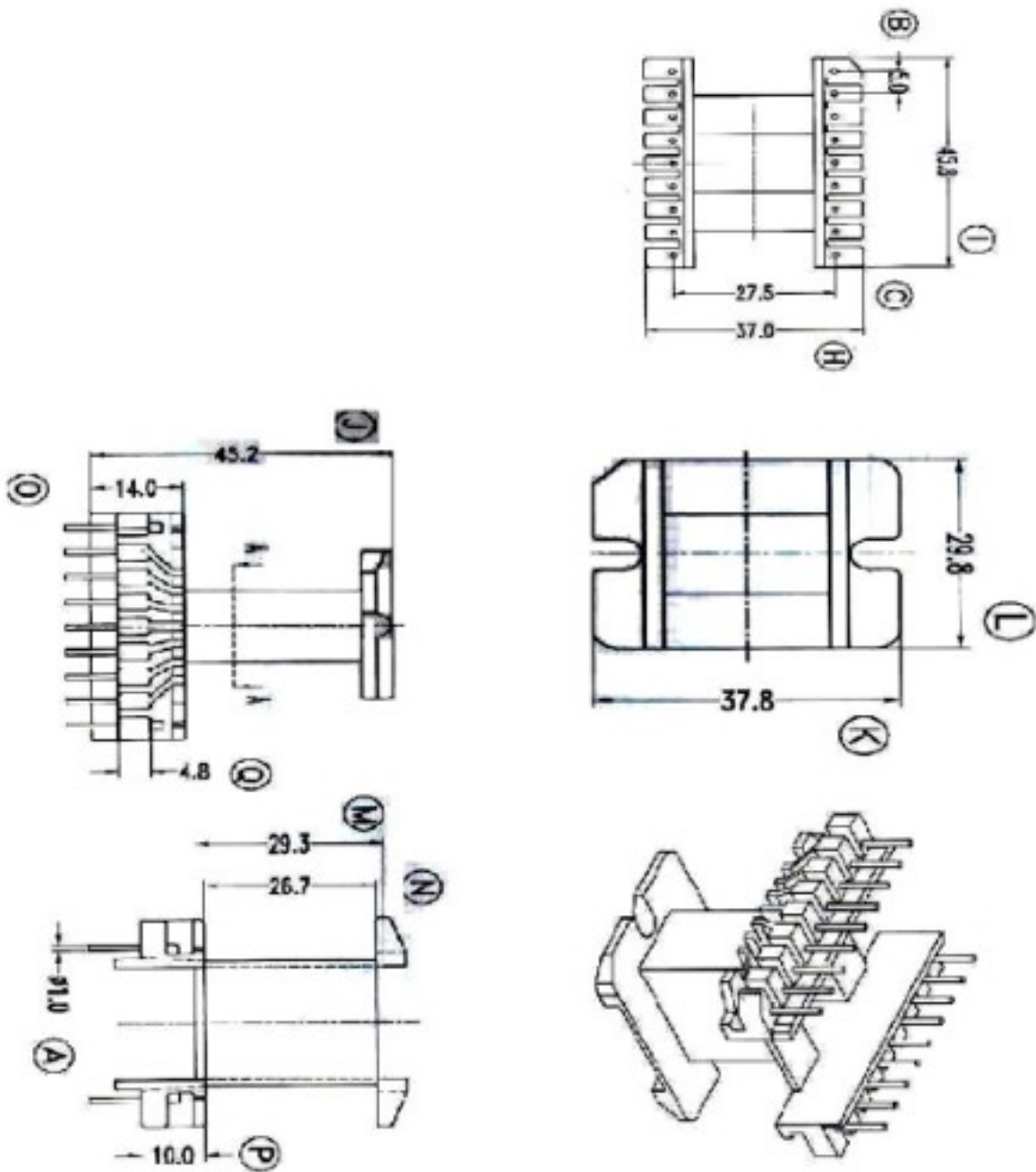
16 &lt; L ≤ 63 ±0.3

Pin pitch ±0.2

UNIT MM DATE 2014.10.18

(TYPE)

010050421181001



### Self Electronic

MODEL E42/21/20 9+9

MATERIAL PHENOLIC

TEL 021-66745473  
021-66716806

TOLERANCE

SCALE DRAW BY

FAX 021-66742368

0 &lt; L ≤ 4 ±0.1

4 &lt; L ≤ 16 ±0.2

16 &lt; L ≤ 63 ±0.3

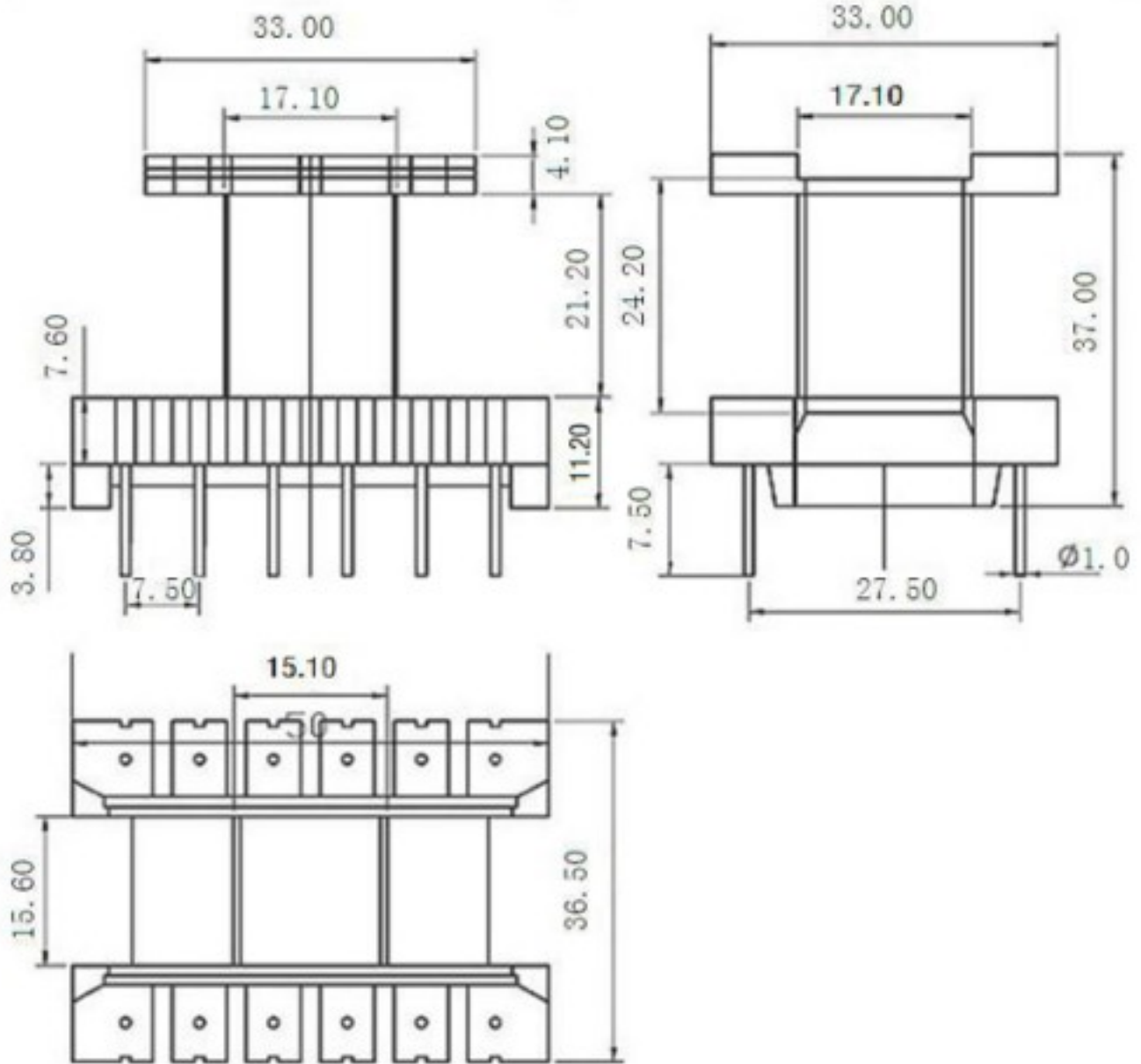
Pin pitch ±0.2

4/1 CHECK BY

WEBSITE selfelectronic.com

UNIT MM DATE 2014.10.18

(TYPE) 092050501121001



**Self  
Electronic**

MODEL E50 6+6

MATERIAL PHENOLIC

TEL 021-66745473  
021-66716806

TOLERANCE

SCALE DRAW BY

FAX 021-66742368

$0 < L \leq 4$   $\pm 0.1$

$4 < L \leq 16$   $\pm 0.2$

$16 < L \leq 63$   $\pm 0.3$

Pin pitch  $\pm 0.2$

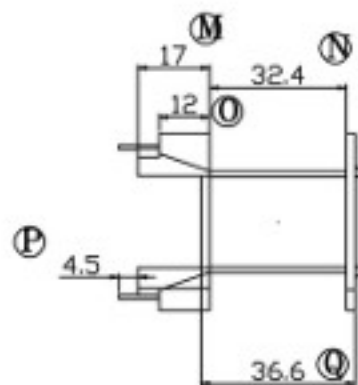
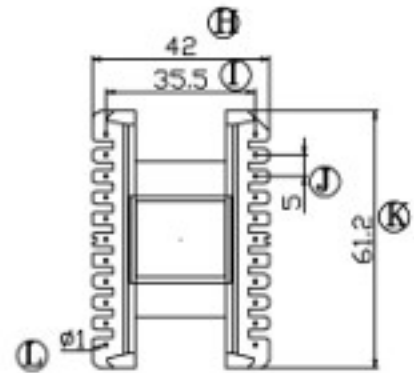
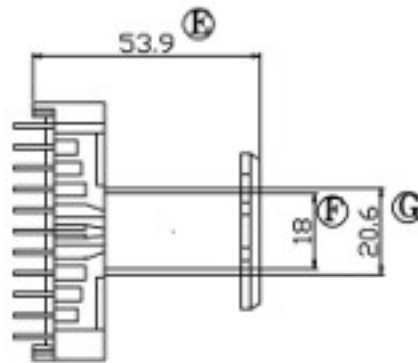
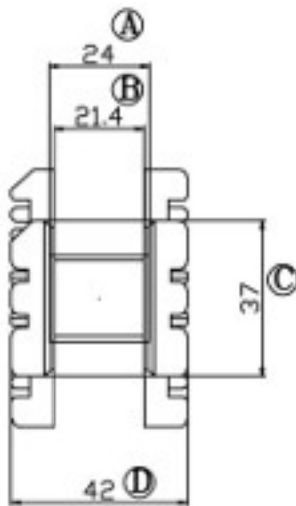
4/1 CHECK BY

WEBSITE selfelectronic.com

UNIT MM DATE 2014.10.18

(TYPE)

031050551221002



**Self  
Electronic**

MODEL

E55/27/21

11+11

MATERIAL

PHENOLIC

TEL

021-66745473  
021-66716806

TOLERANCE

SCALE

DRAW BY

FAX

021-66742368

0 &lt; L ≤ 4 ±0.1

4 &lt; L ≤ 16 ±0.2

16 &lt; L ≤ 63 ±0.3

Pin pitch ±0.2

4/1

CHECK BY

WEBSITE

selfelectronic.com

UNIT

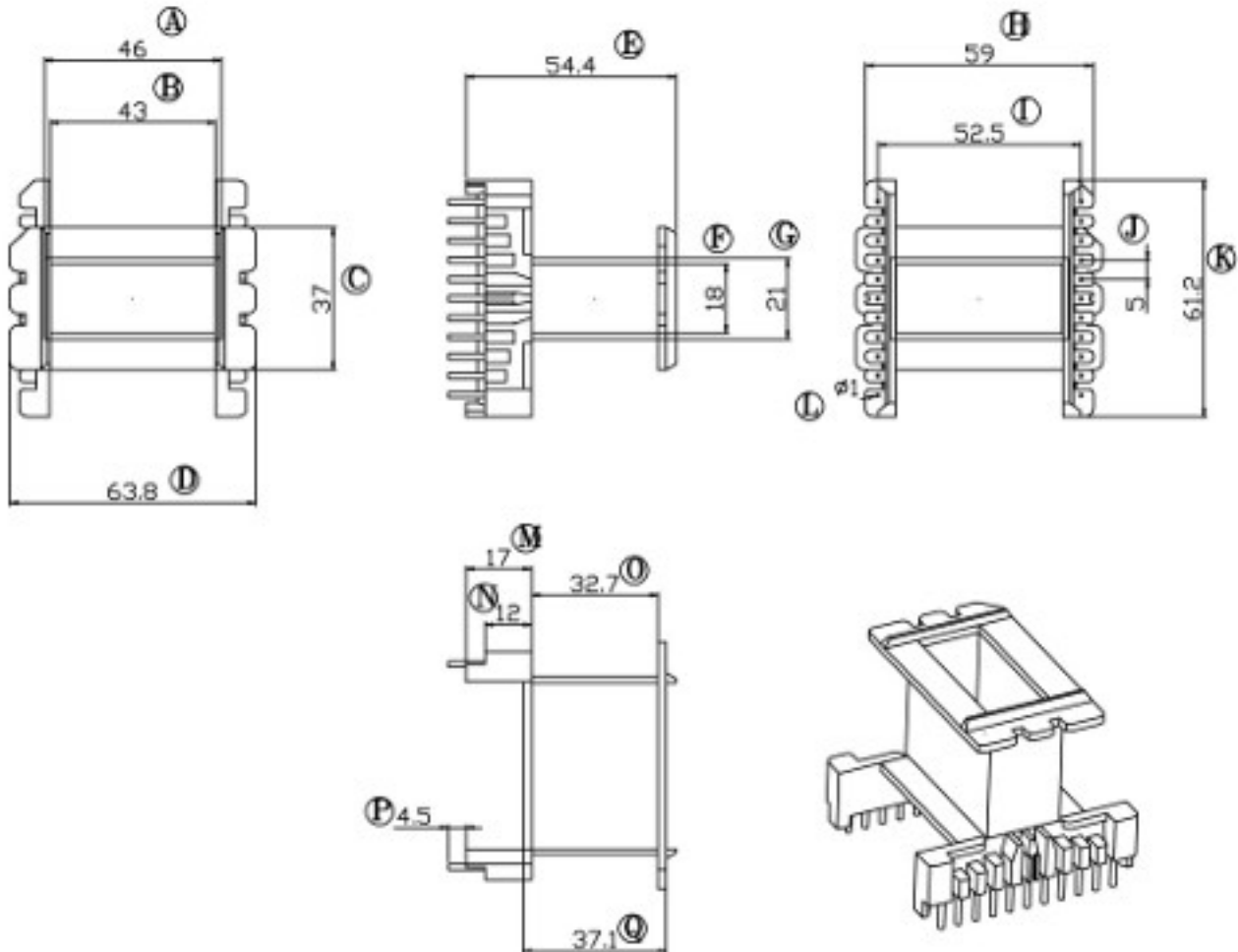
MM

DATE

2014.10.18

(TYPE)

031050551221001



**Self  
Electronic**

MODEL

E55/27/21

NAME

11+11

MATERIAL

PHENOLIC

TEL

021-66745473  
021-66716806

TOLERANCE

 $0 < L \leq 4 \quad \pm 0.1$   
 $4 < L \leq 16 \quad \pm 0.2$   
 $16 < L \leq 63 \quad \pm 0.3$   
 Pin pitch  $\pm 0.2$ 

SCALE

DRAW BY

FAX

021-66742368

4/1

CHECK BY

WEBSITE

selfelectronic.com

UNIT

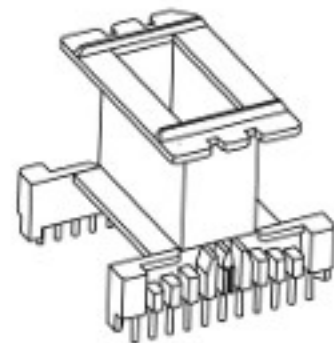
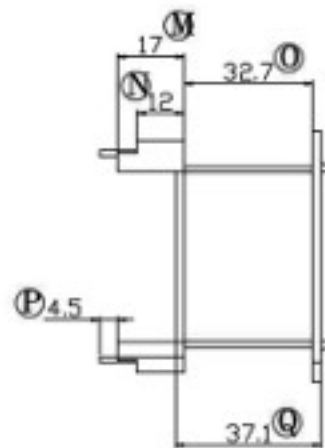
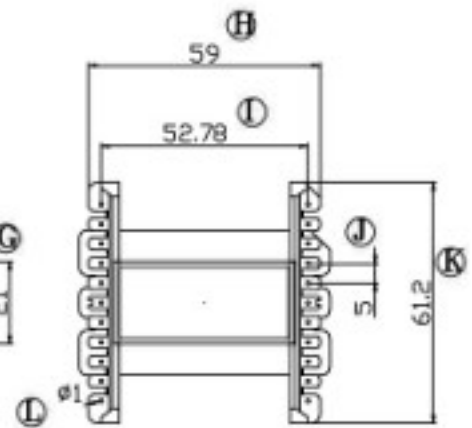
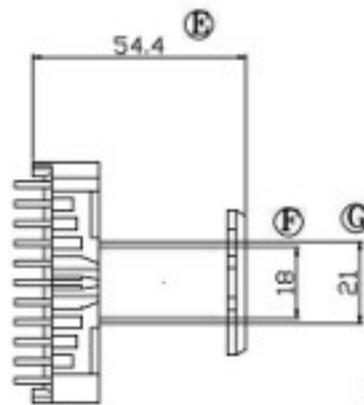
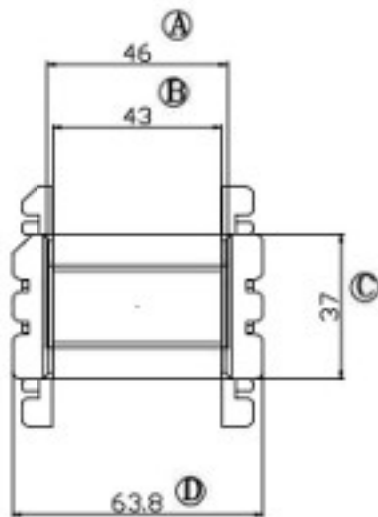
MM

DATE

2014.10.18

(TYPE)

031050551221006



**Self  
Electronic**

MODEL

E55/27/21

NAME

11+11 52.78mm

MATERIAL

PHENOLIC

TEL

021-66745473  
021-66716806

TOLERANCE

 $0 < L \leq 4 \quad \pm 0.1$   
 $4 < L \leq 16 \quad \pm 0.2$   
 $16 < L \leq 63 \quad \pm 0.3$   
 Pin pitch  $\pm 0.2$ 

SCALE

DRAW BY

FAX

021-66742368

4/1

CHECK BY

WEBSITE

selfelectronic.com

UNIT

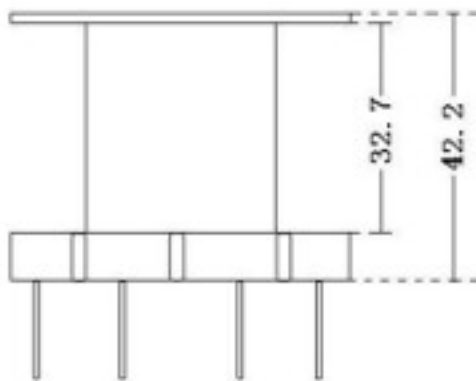
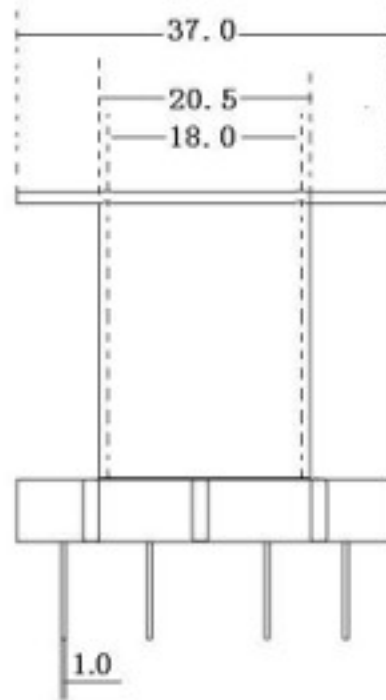
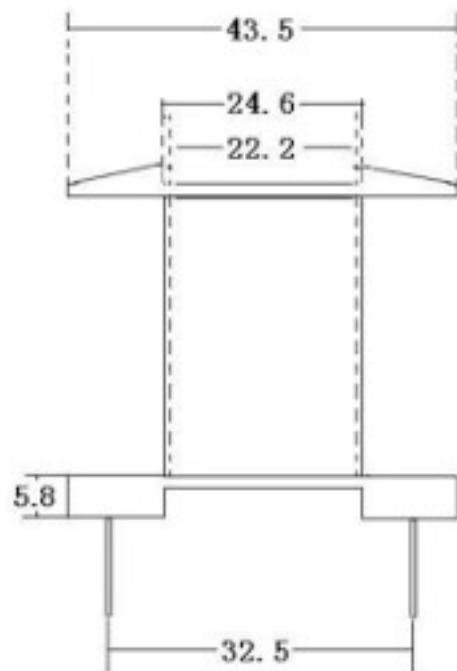
MM

DATE

2014.10.18

(TYPE)

005050551081001



### Self Electronic

MODEL

E55/27/21

4+4

MATERIAL

PET

TEL

021-66745473  
021-66716806

TOLERANCE

SCALE

DRAW BY

FAX

021-66742368

0 <math>L \leq 4</math>  $\pm 0.1$   
4 <math>L \leq 16</math>  $\pm 0.2$   
16 <math>L \leq 63</math>  $\pm 0.3$ 

4/1

CHECK BY

WEBSITE

selfelectronic.com

Pin pitch  $\pm 0.2$ 

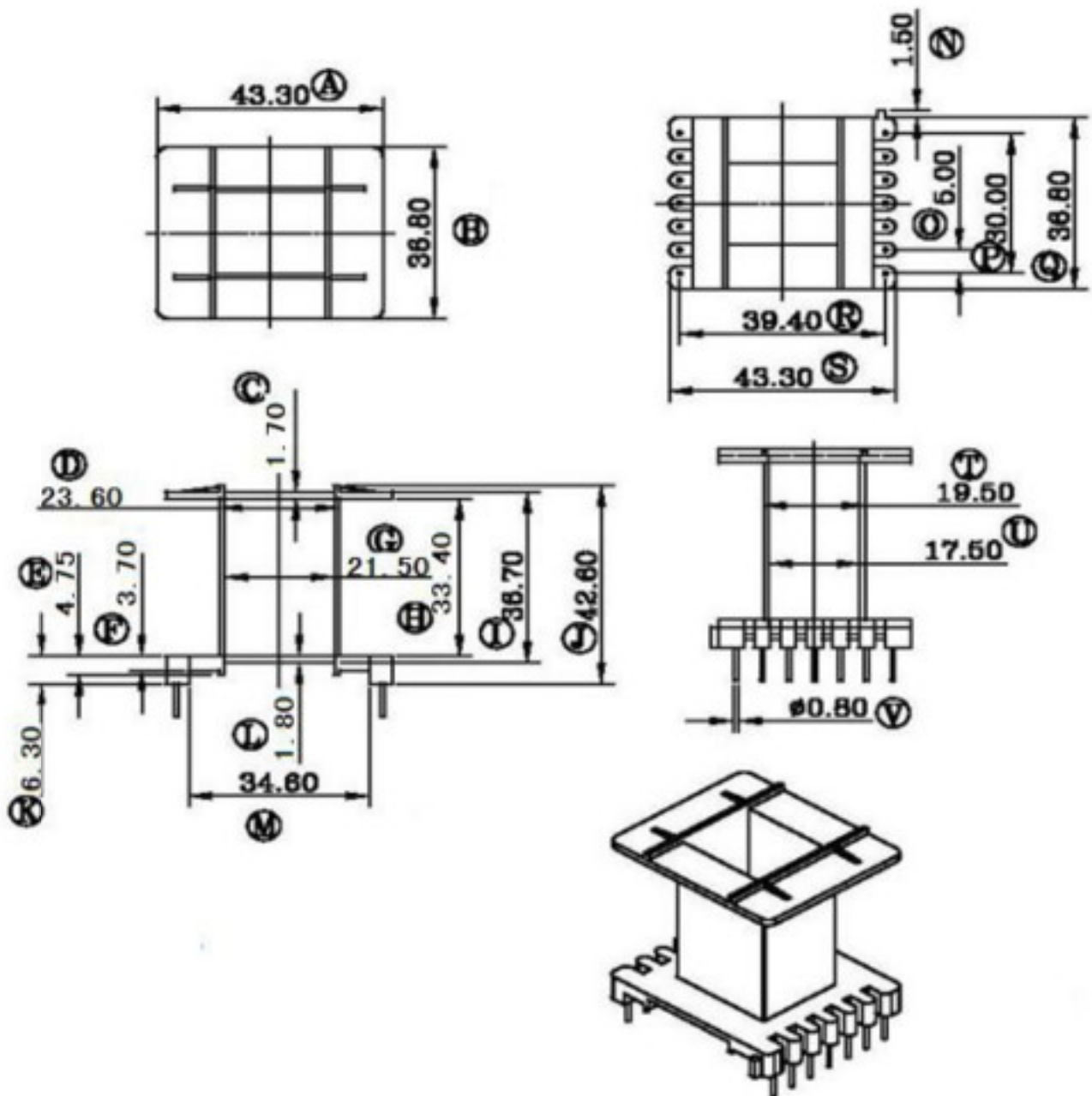
UNIT

MM

DATE

2014.10.18

(TYPE) 010050551141001



**Self  
Electronic**

MODEL

E55/27/21 7+7

MATERIAL

PET

TEL

021-66745473  
021-66716806

TOLERANCE

SCALE

DRAW BY

FAX

021-66742368

0 &lt; L ≤ 4 ±0.1

4 &lt; L ≤ 16 ±0.2

16 &lt; L ≤ 63 ±0.3

Pin pitch ±0.2

4/1

CHECK BY

WEBSITE

selfelectronic.com

UNIT

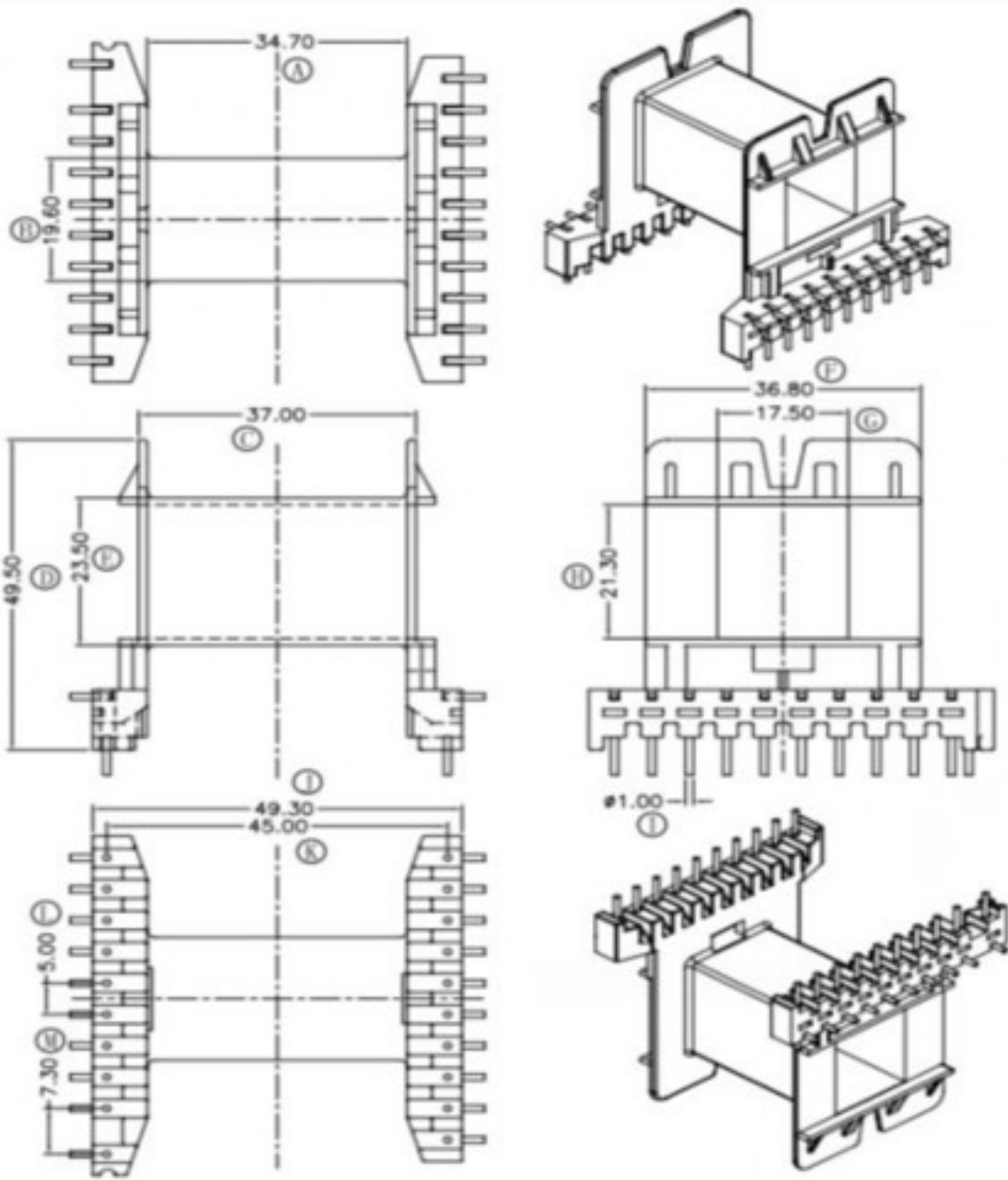
MM

DATE

2014.10.18



(TYPE) 010050552201001



**Self Electronic**

MODEL E55/27/21 10+10

MATERIAL PET

TEL 021-66745473  
021-66716806

TOLERANCE

SCALE DRAW BY

FAX 021-66742368

0 < L ≤ 4 ±0.1  
4 < L ≤ 16 ±0.2  
16 < L ≤ 63 ±0.3

4/1 CHECK BY ㊞

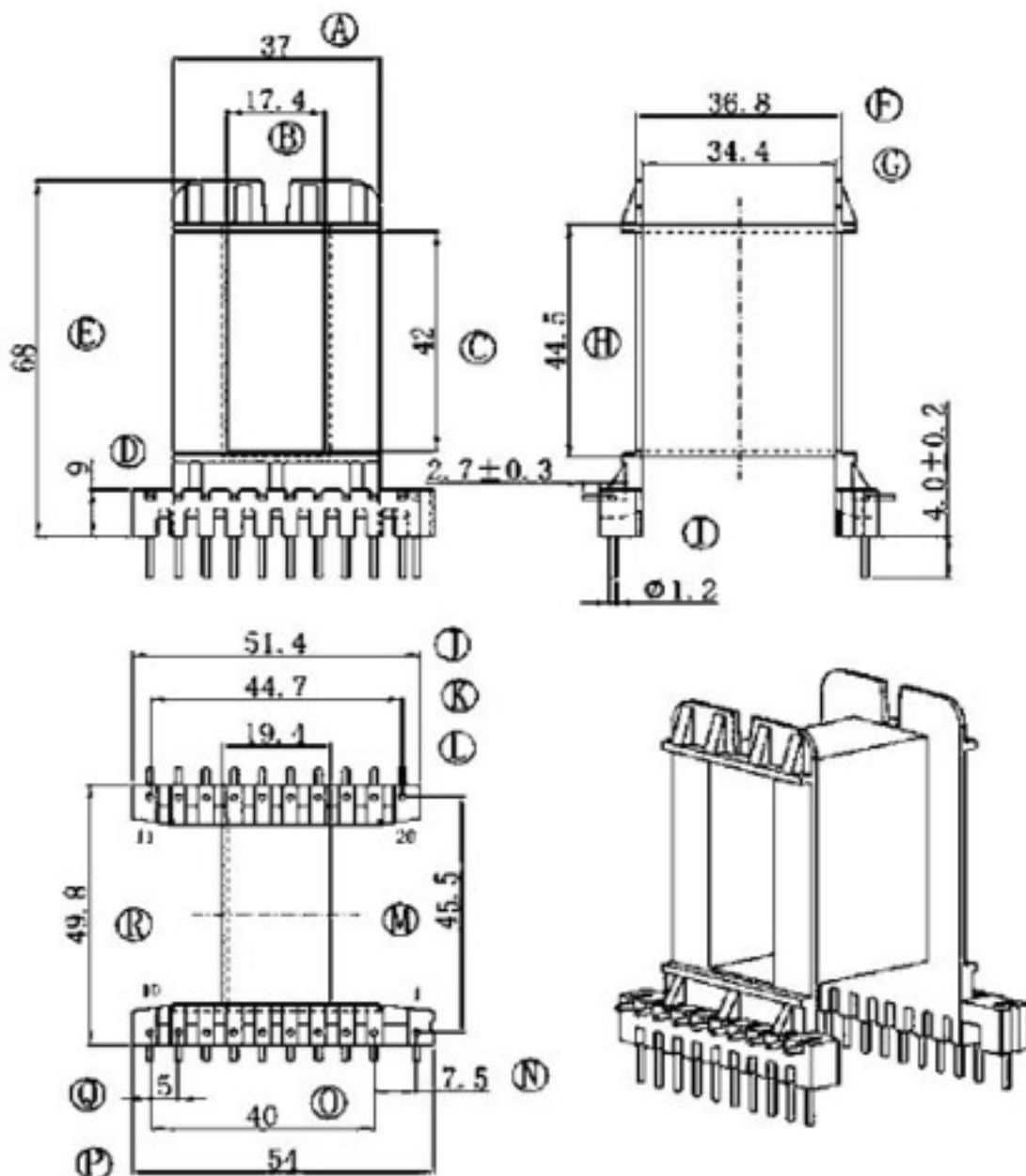
WEBSITE selfelectronic.com

Pin pitch ±0.2

UNIT MM DATE 2014.10.18

(TYPE)

010050552201002



**Self  
Electronic**

MODEL

E55/27/21

NAME

10+10

MATERIAL

PHENOLIC

TEL

021-66745473  
021-66716806

TOLERANCE

 $0 < L \leq 4 \quad \pm 0.1$   
 $4 < L \leq 16 \quad \pm 0.2$   
 $16 < L \leq 63 \quad \pm 0.3$   
 Pin pitch  $\pm 0.2$ 

SCALE

DRAW BY

FAX

021-66742368

4/1

CHECK BY

WEBSITE

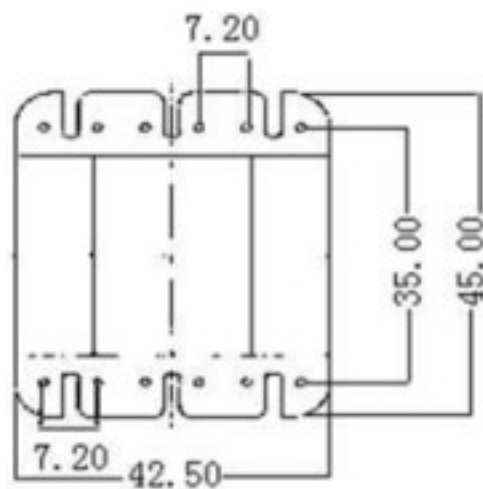
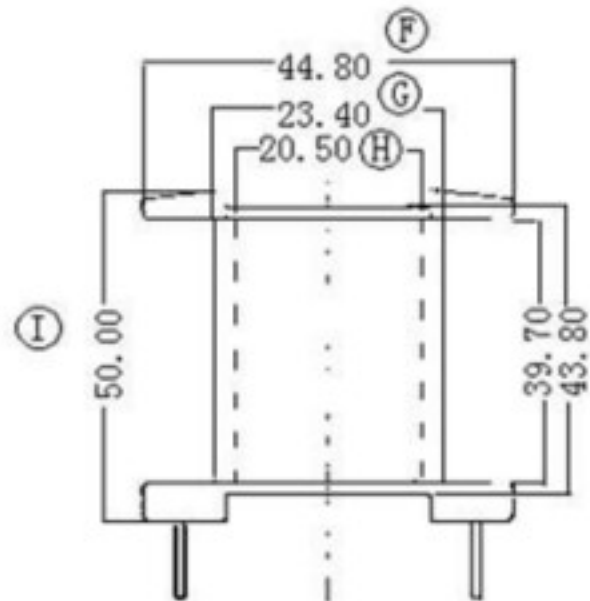
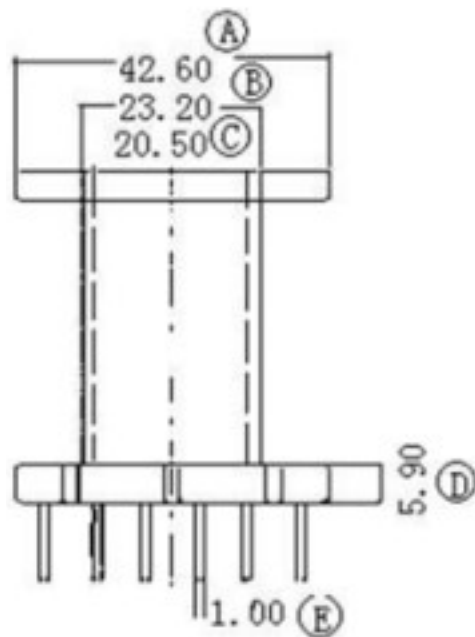
selfelectronic.com

UNIT MM

DATE

2014.10.18

(TYPE) 005050651121101



### Self Electronic

MODEL E65/32/20 6+6

MATERIAL PET

TEL 021-66745473  
021-66716806

TOLERANCE

SCALE DRAW BY

FAX 021-66742368

0 &lt; L ≤ 4 ±0.1

4 &lt; L ≤ 16 ±0.2

4/1 CHECK BY

WEBSITE selfelectronic.com

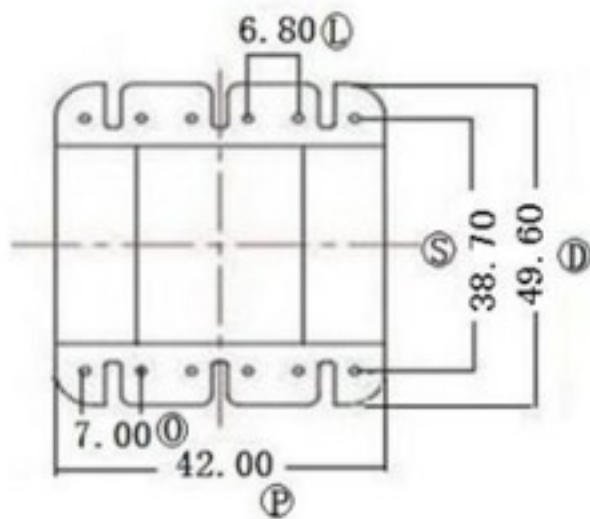
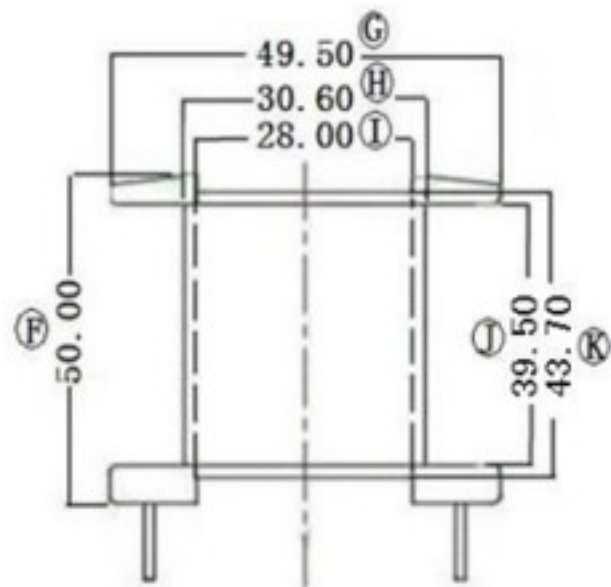
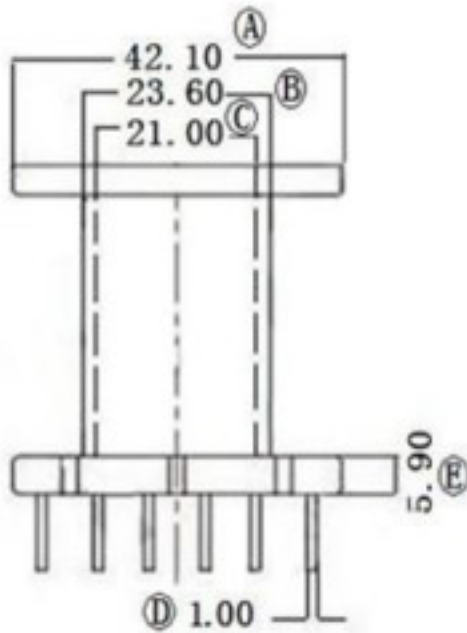
16 &lt; L ≤ 63 ±0.3

Pin pitch ±0.2

UNIT MM DATE 2014.10.18

(TYPE)

005050651121102



### Self Electronic

MODEL

E65/33/27

6+6

MATERIAL

PET

TEL

021-66745473  
021-66716806

TOLERANCE

SCALE

DRAW BY

FAX

021-66742368

0 &lt;math&gt;L \le 4&lt;/math&gt; ±0.1

4 &lt;math&gt;L \le 16&lt;/math&gt; ±0.2

16 &lt;math&gt;L \le 63&lt;/math&gt; ±0.3

Pin pitch ±0.2

4/1

CHECK BY

WEBSITE

selfelectronic.com

UNIT

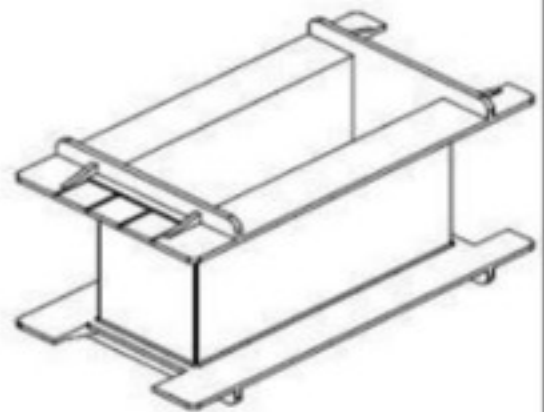
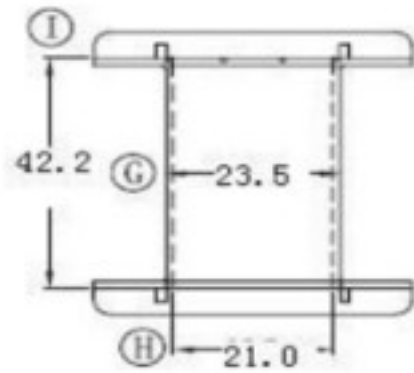
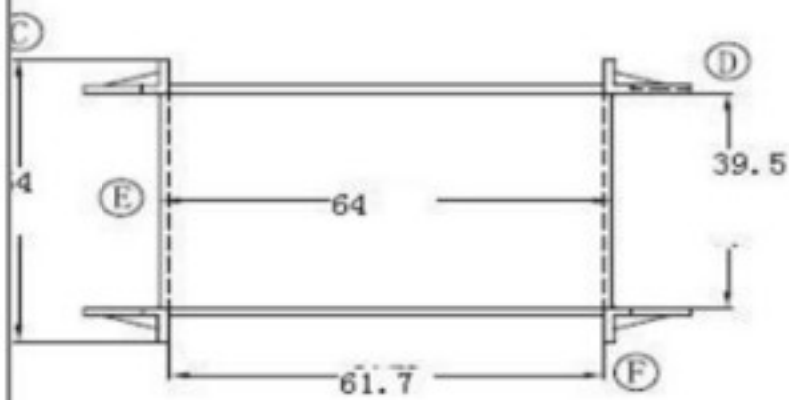
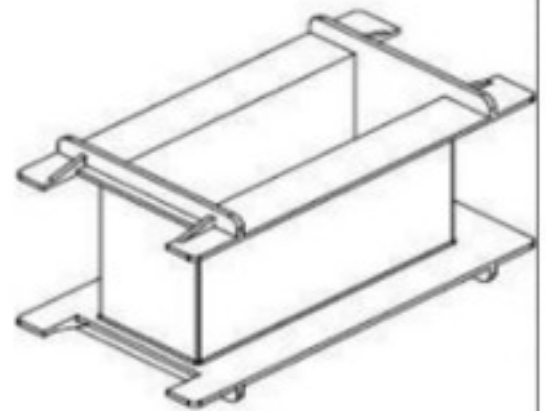
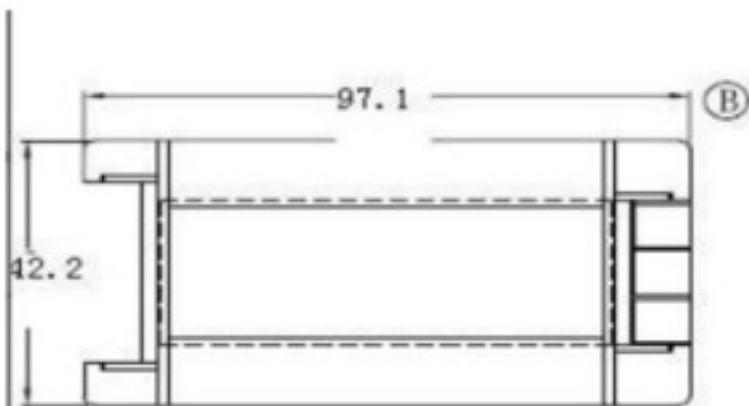
MM

DATE

2014.10.18

(TYPE)

010050651001001



**Self  
Electronic**

MODEL

E65/33/27

MATERIAL

PET

TEL

021-66745473  
021-66716806

TOLERANCE

SCALE

DRAW BY

FAX

021-66742368

0 &lt; L ≤ 4 ±0.1

4 &lt; L ≤ 16 ±0.2

16 &lt; L ≤ 63 ±0.3

Pin pitch  $\phi 9.2$ 

4/1

CHECK BY

WEBSITE

selfelectronic.com

UNIT

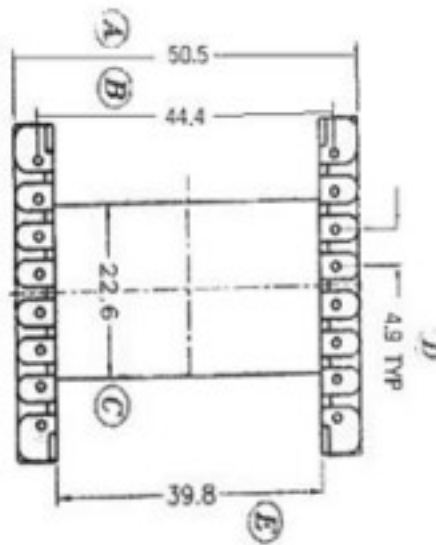
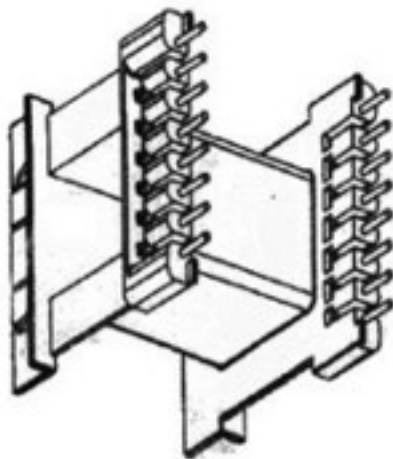
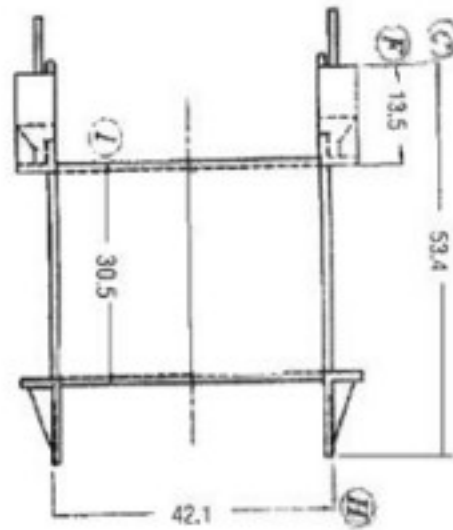
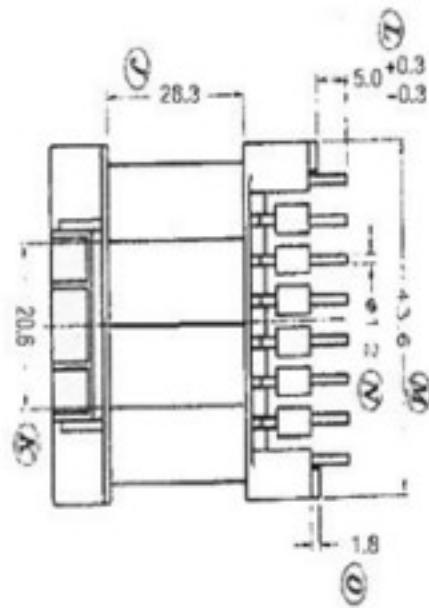
MM

DATE

2014.10.18

(TYPE)

010050552161001



**Self Electronic**

MODEL E65/33/27 8+8

MATERIAL PET

TEL 021-66745473  
021-66716806

TOLERANCE

SCALE DRAW BY

FAX 021-66742368

0 < L ≤ 4 ±0.1  
4 < L ≤ 16 ±0.2  
16 < L ≤ 63 ±0.3

4/1 CHECK BY

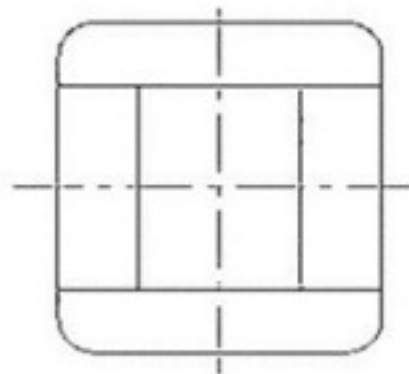
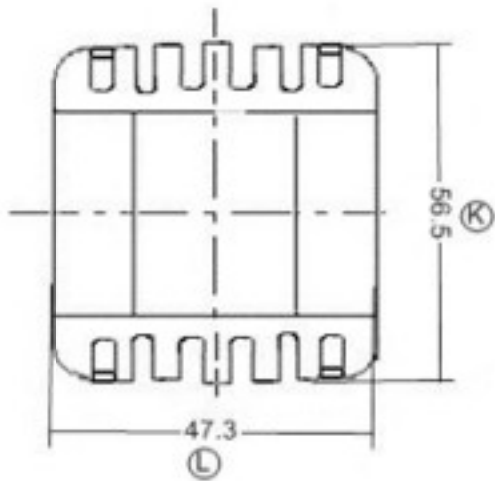
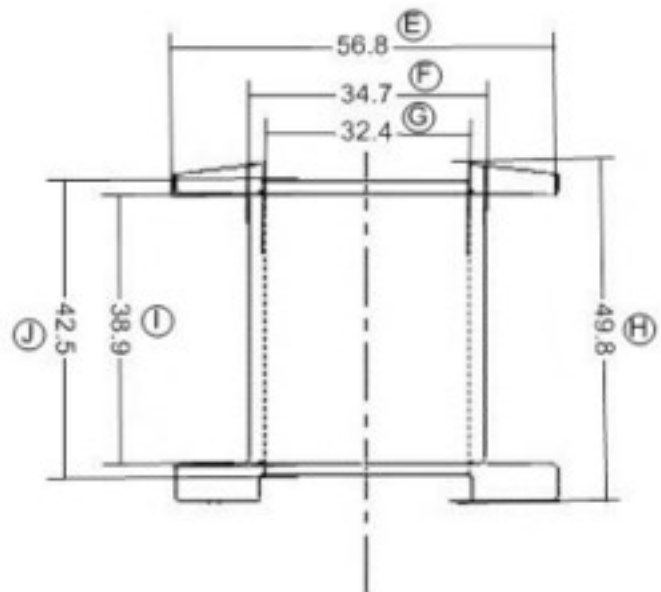
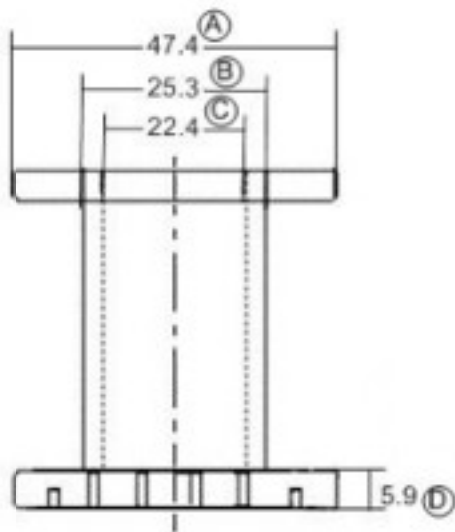
WEBSITE selfelectronic.com

Pin pitch ±0.2

UNIT MM DATE 2014.10.18

(TYPE)

005050701001001



**Self  
Electronic**

MODEL

E70/33/32

MATERIAL

PET

TEL

021-66745473  
021-66716806

TOLERANCE

SCALE

DRAW BY

FAX

021-66742368

 $0 < L \leq 4 \quad \pm 0.1$   
 $4 < L \leq 16 \quad \pm 0.2$ 

4/1

CHECK BY

WEBSITE

selfelectronic.com

 $16 < L \leq 63 \quad \pm 0.3$   
 Pin pitch  $\pm 0.2$ 

UNIT

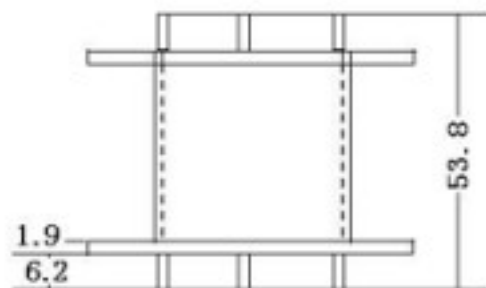
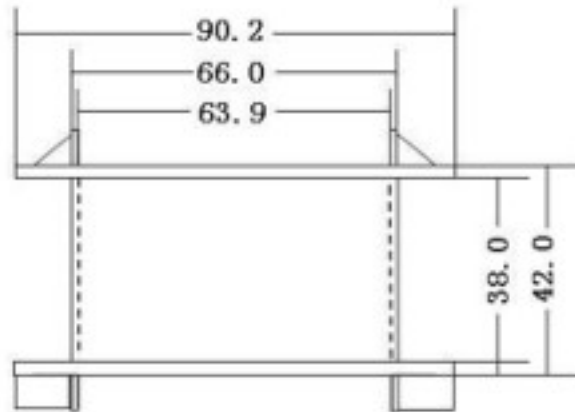
MM

DATE

2014.10.18

(TYPE)

010050701001001



**Self  
Electronic**

MODEL

E70/33/32

MATERIAL

PET

TEL

021-66745473  
021-66716806

TOLERANCE

SCALE

DRAW BY

FAX

021-66742368

0 < L ≤ 4 ±0.1  
4 < L ≤ 16 ±0.2

4/1

CHECK BY

WEBSITE

selfelectronic.com

16 < L ≤ 63 ±0.3  
Pin pitch ±0.2

UNIT

MM

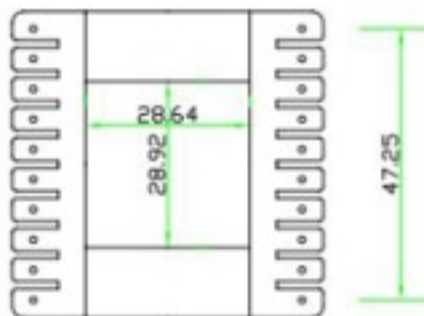
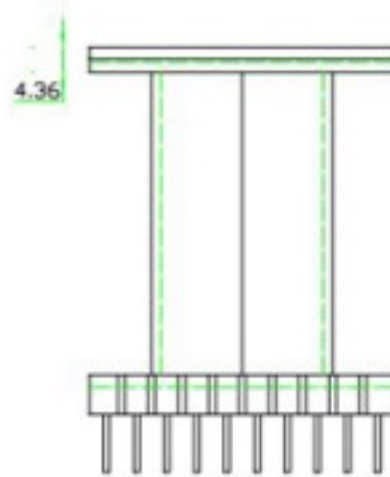
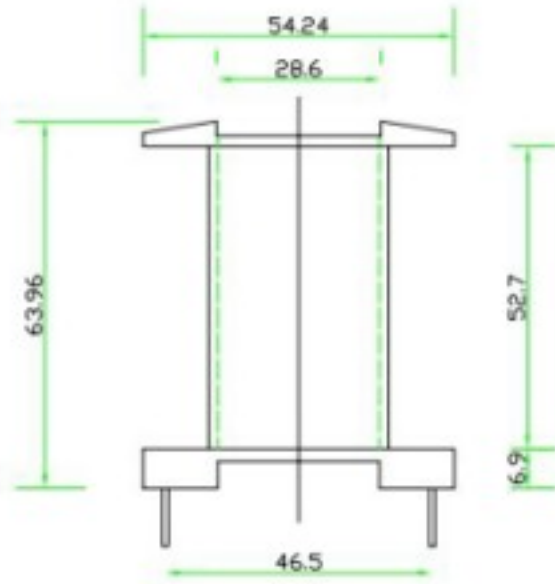
DATE

2014.10.18



(TYPE)

005050851201001



**Self Electronic**

MODEL E85/43/27 10+10

MATERIAL PET

TEL 021-66745473  
021-66716806

TOLERANCE

SCALE DRAW BY

FAX 021-66742368

0 < L ≤ 4 ±0.1  
4 < L ≤ 16 ±0.2  
16 < L ≤ 63 ±0.3

4/1 CHECK BY

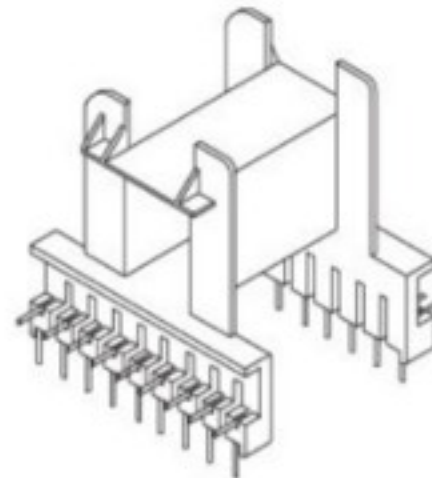
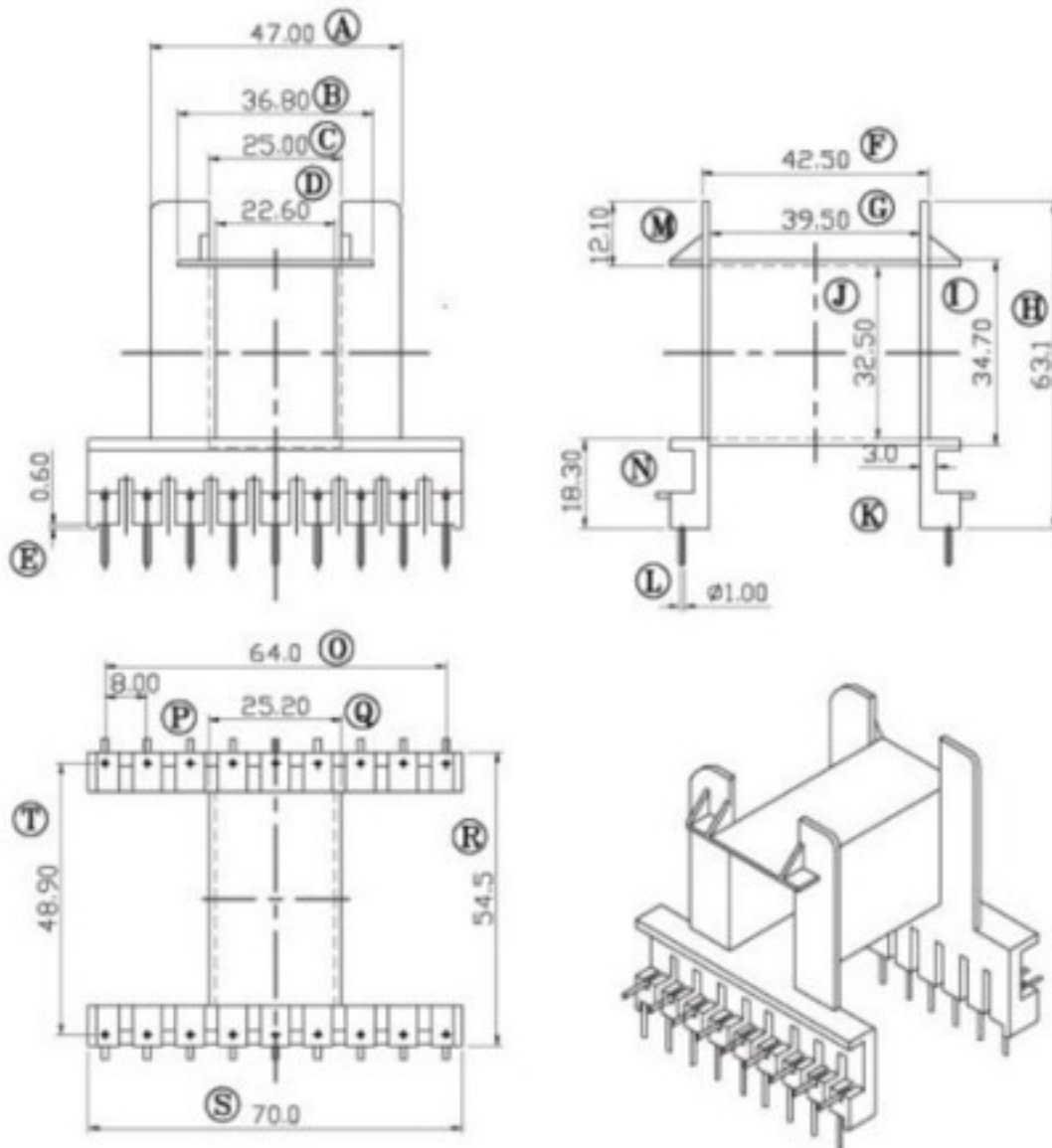
WEBSITE selfelectronic.com

Pin pitch ±0.2

UNIT MM DATE 2015.11.14

(TYPE)

010050702181001



### Self Electronic

MODEL E70/33/32 9+9

MATERIAL PBT

TEL 021-66745473  
021-66716806

TOLERANCE

SCALE DRAW BY

FAX 021-66742368

0 &lt; L ≤ 4 ±0.1

4 &lt; L ≤ 16 ±0.2

16 &lt; L ≤ 63 ±0.3

Pin pitch ±0.2

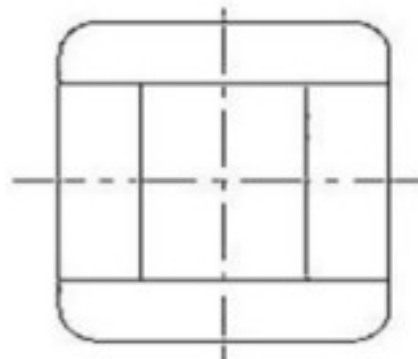
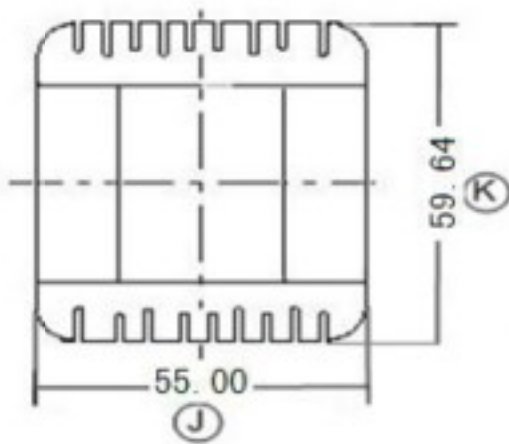
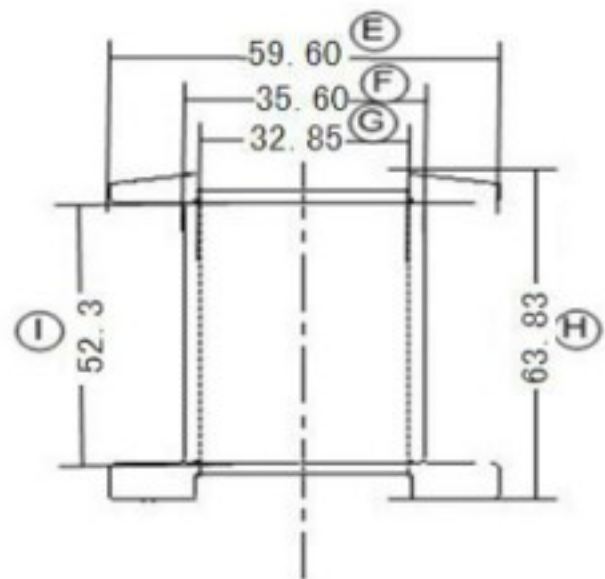
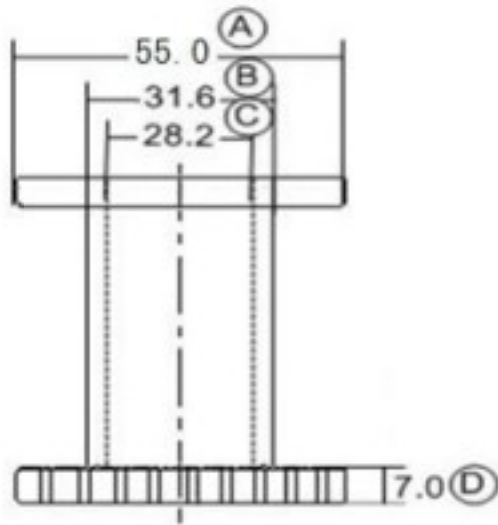
4/1 CHECK BY

WEBSITE selfelectronic.com

UNIT MM DATE 2014.10.18

(TYPE)

005050851001002



**Self  
Electronic**

MODEL

E85/43/3

MATERIAL

PET

TEL

021-66745473  
021-66716806

TOLERANCE

SCALE

DRAW BY

FAX

021-66742368

$0 < L \leq 4$   $\pm 0.1$   
 $4 < L \leq 16$   $\pm 0.2$

4/1

CHECK BY

WEBSITE

selfelectronic.com

$16 < L \leq 63$   $\pm 0.3$   
Pin pitch  $\pm 0.2$

UNIT

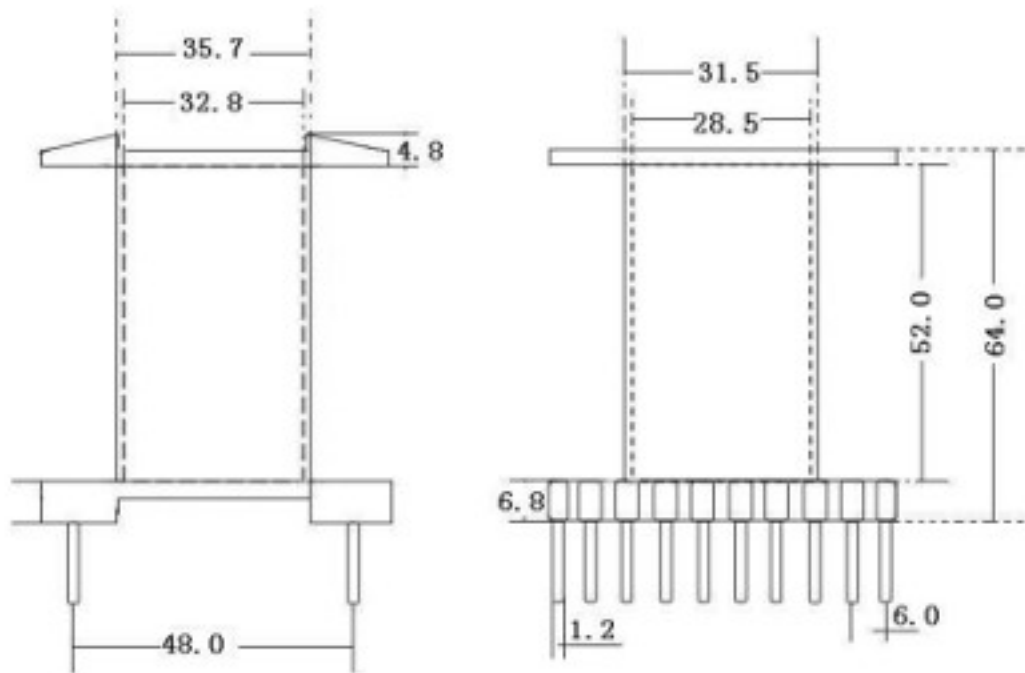
MM

DATE

2014.10.18

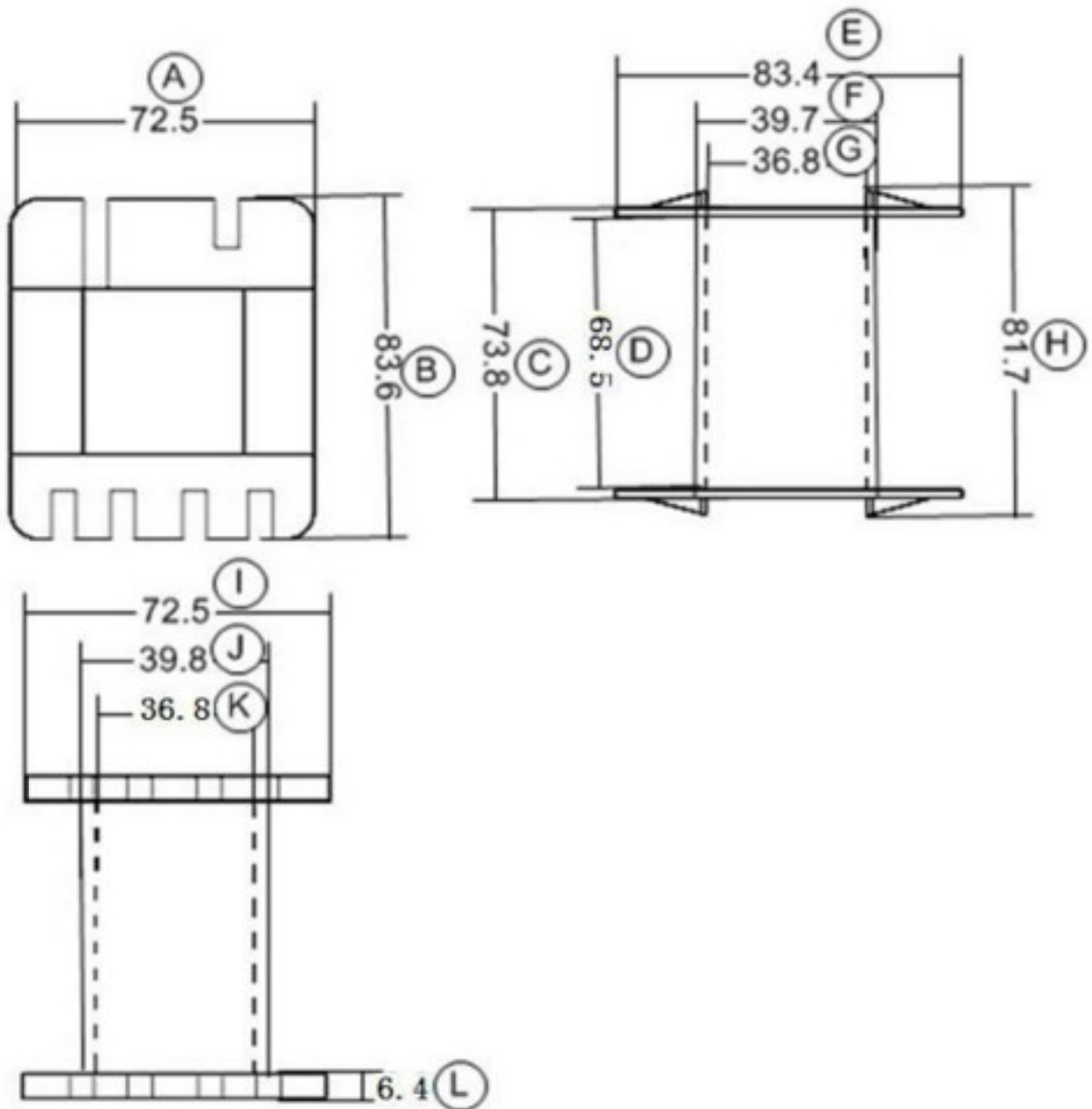
(TYPE)

005050851201001



<b>Self Electronic</b>			MODEL	E85/43/32 10+10
			MATERIAL	PET
TEL	021-66745473 021-66716806	TOLERANCE	SCALE	DRAW BY
FAX	021-66742368	0 < L ≤ 4 ±0.1 4 < L ≤ 16 ±0.2 16 < L ≤ 63 ±0.3 Pin pitch ±0.2	4/1	CHECK BY
WEBSITE	selfelectronic.com		UNIT MM	DATE 2014.10.18

(TYPE) 005051101001001



**Self  
Electronic**

MODEL

E110/56/40

MATERIAL

PET

TEL

021-66745473  
021-66716806

TOLERANCE

SCALE

DRAW BY

FAX

021-66742368

$0 < L \leq 4$   $\pm 0.1$   
 $4 < L \leq 16$   $\pm 0.2$

4/1

CHECK B H

WEBSITE

selfelectronic.com

$16 < L \leq 63$   $\pm 0.3$   
Pin pitch  $\pm 0.2$

UNIT

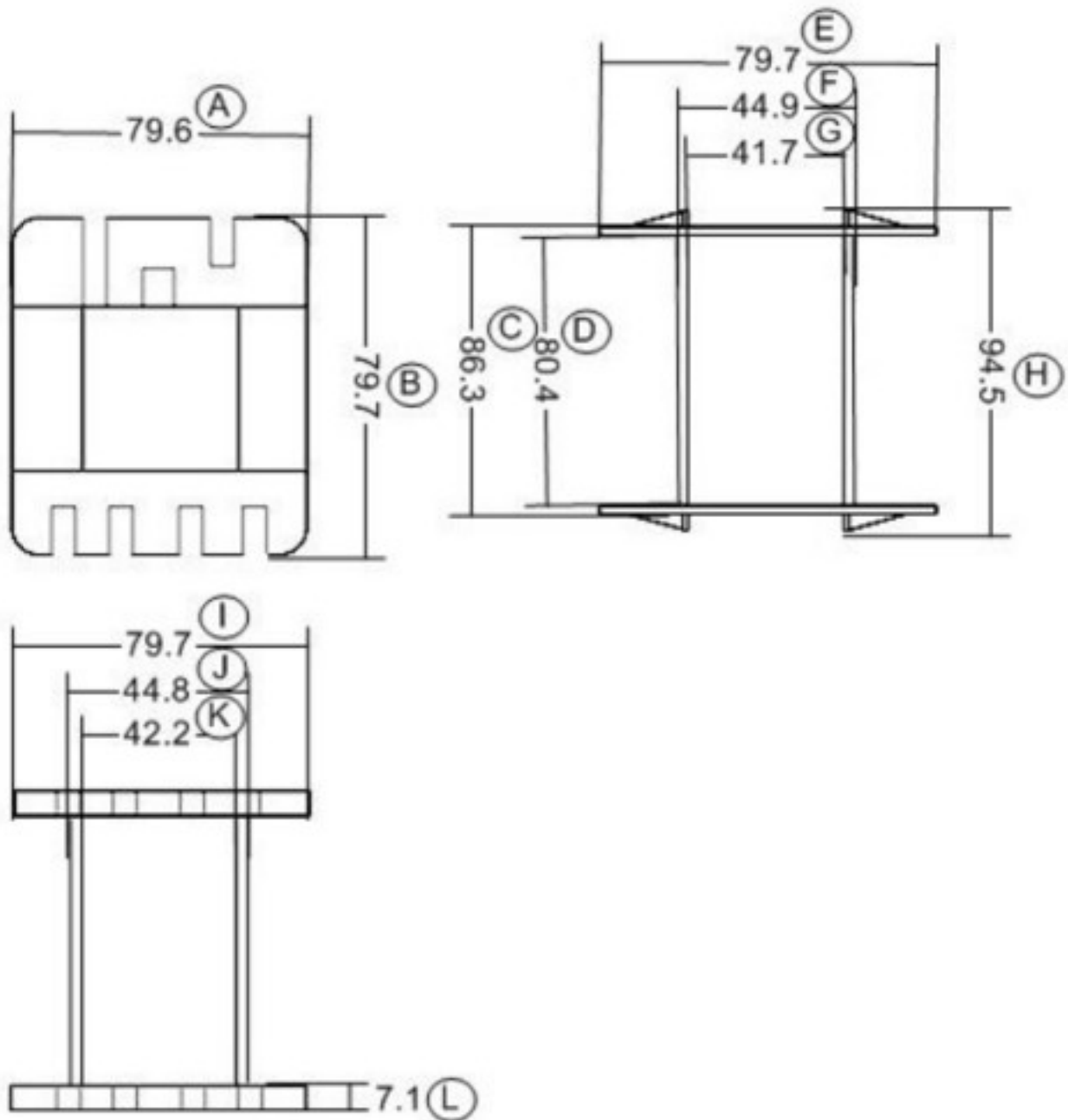
MM

DATE

2014.10.18

(TYPE)

005051301001001



### Self Electronic

MODEL

E130/65/40

MATERIAL

PBT

TEL

021-66745473  
021-66716806

TOLERANCE

SCALE

DRAW BY

FAX

021-66742368

 $0 < L \leq 4 \quad \pm 0.1$   
 $4 < L \leq 16 \quad \pm 0.2$ 

4/1

CHECK BY

WEBSITE

selfelectronic.com

 $16 < L \leq 63 \quad \pm 0.3$   
 Pin pitch  $\pm 0.2$ 

UNIT

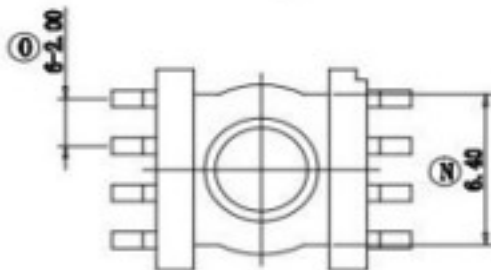
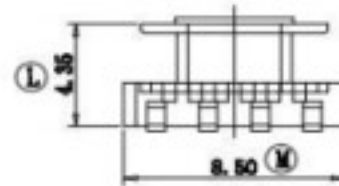
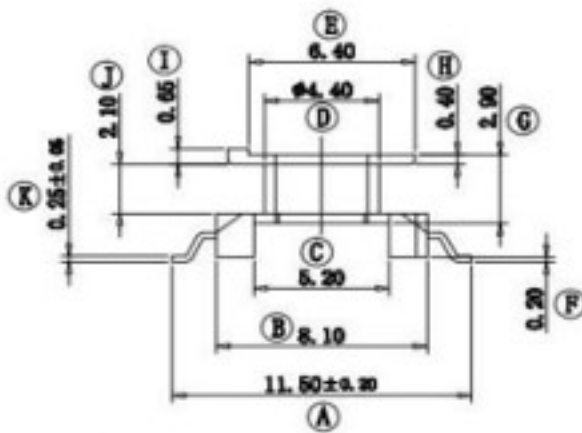
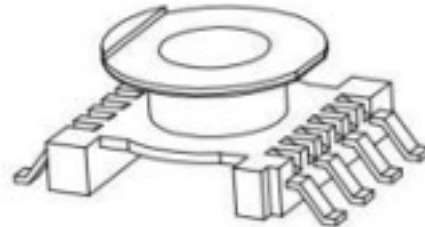
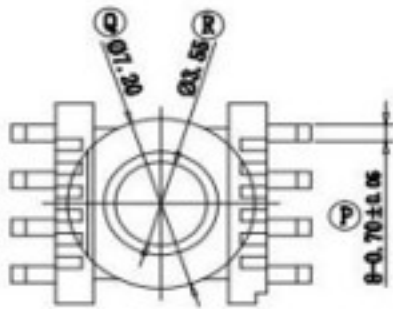
MM

DATE

2014.10.18

(TYPE)

007010951081001



**Self  
Electronic**

MODEL

EC9.5/2.45/6

4+4(SMD)

MATERIAL

LCP

TEL

021-66745473  
021-66716806

TOLERANCE

SCALE

DRAW BY

FAX

021-66742368

0 &lt; L ≤ 4 ±0.1

4 &lt; L ≤ 16 ±0.2

16 &lt; L ≤ 63 ±0.3

Pin pitch ±0.2

4/1

CHECK BY

WEBSITE

selfelectronic.com

UNIT

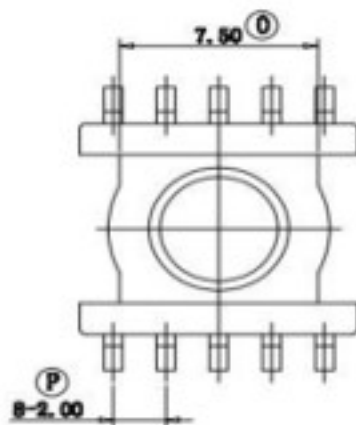
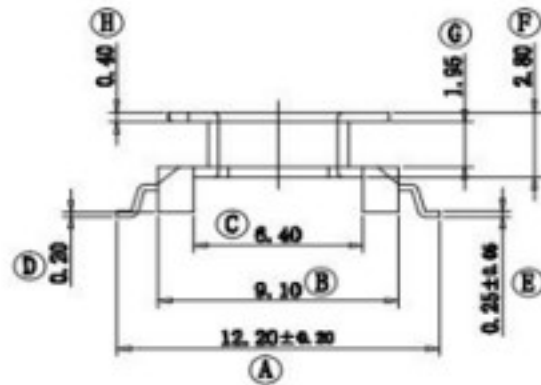
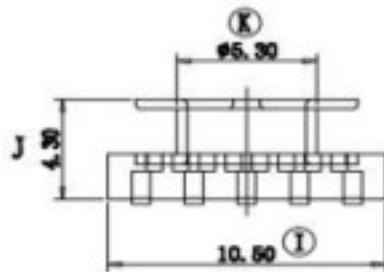
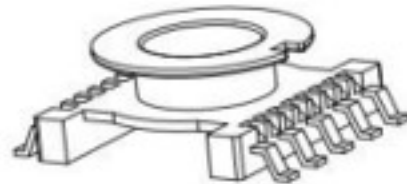
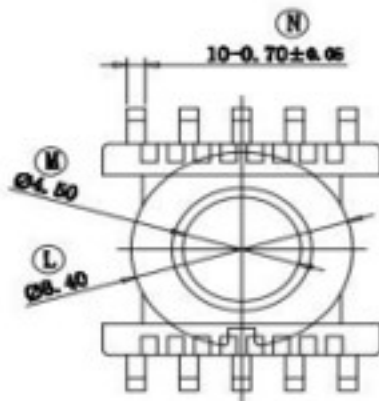
MM

DATE

2014.10.18

(TYPE)

007010042101001



**Self  
Electronic**

MODEL

EC11.5/2.45/6

5+5(SMD)

MATERIAL

LCP

TEL

021-66745473  
021-66716806

TOLERANCE

SCALE

DRAW BY

FAX

021-66742368

 $0 < L \leq 4 \quad \pm 0.1$   
 $4 < L \leq 16 \quad \pm 0.2$ 

4/1

CHECK BY

WEBSITE

selfelectronic.com

 $16 < L \leq 63 \quad \pm 0.3$   
 Pin pitch  $\pm 0.2$ 

UNIT

MM

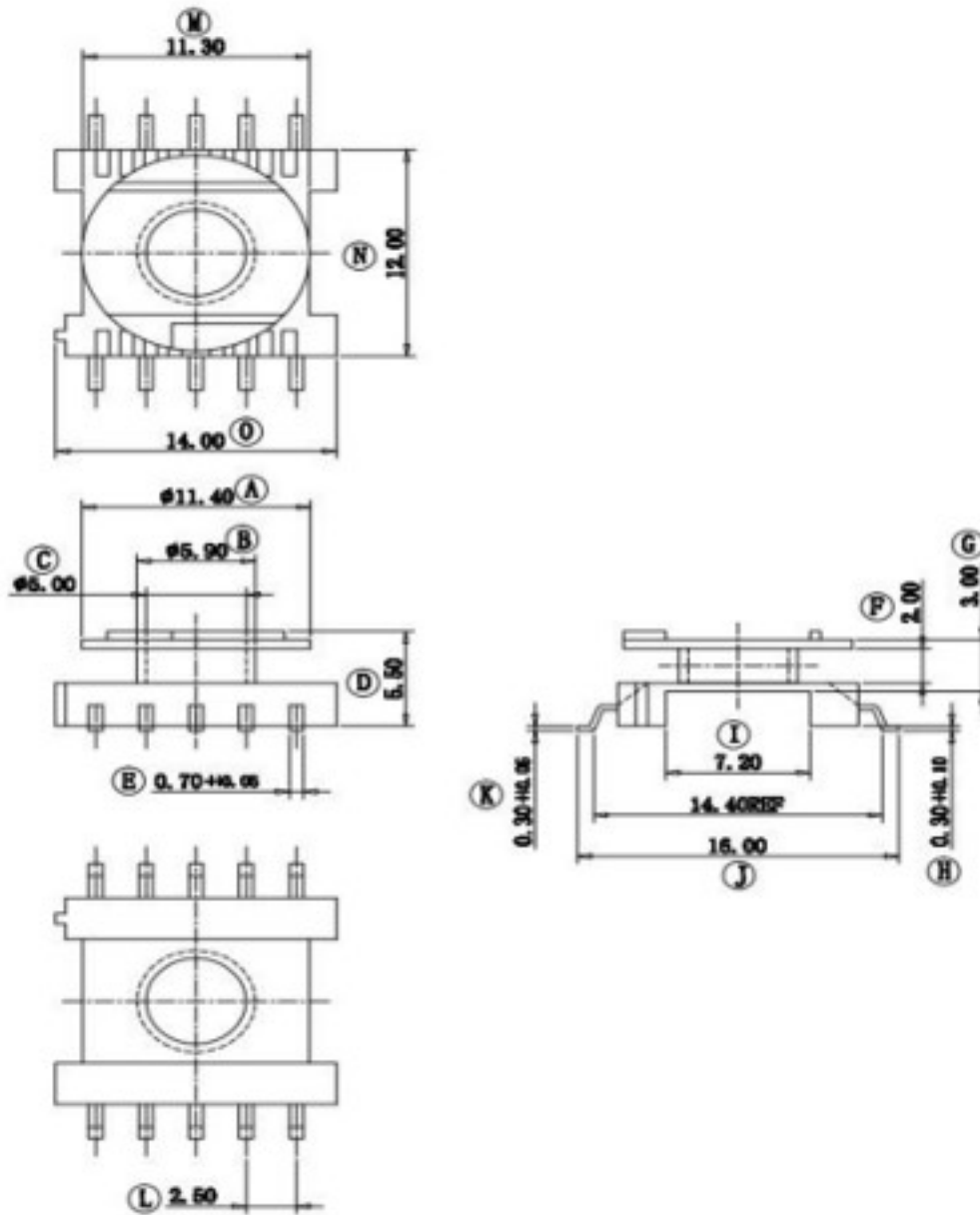
DATE

2014.10.18



(TYPE)

007010062101101



### Self Electronic

MODEL

EC14.5 5+5(SMD)

MATERIAL

LCP

TEL

021-66745473  
021-66716806

TOLERANCE

SCALE

DRAW BY

FAX

021-66742368

 $0 < L \leq 4 \quad \pm 0.1$   
 $4 < L \leq 16 \quad \pm 0.2$ 

4/1

CHECK BY

WEBSITE

selfelectronic.com

 $16 < L \leq 63 \quad \pm 0.3$   
 Pin pitch  $\pm 0.2$ 

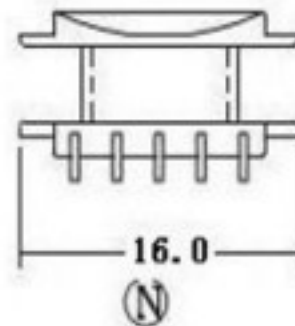
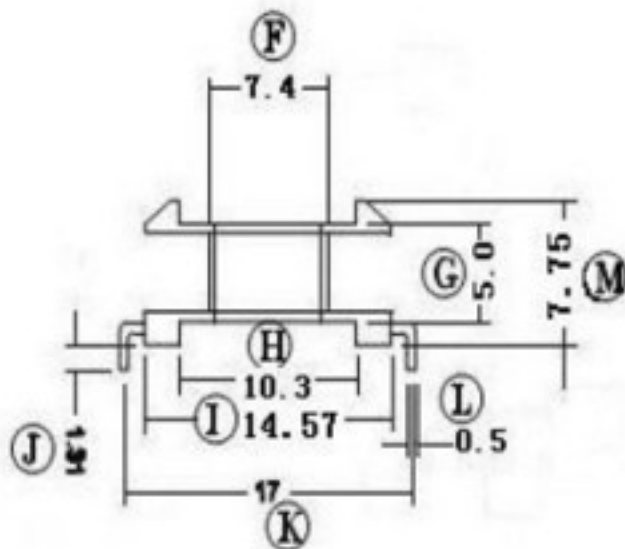
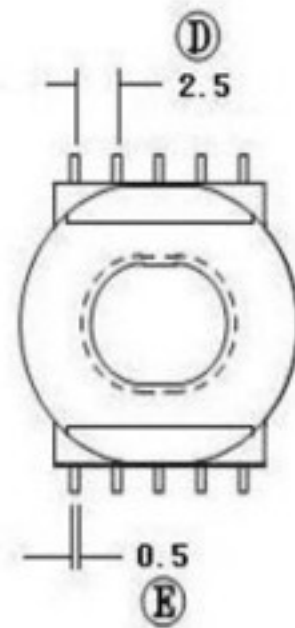
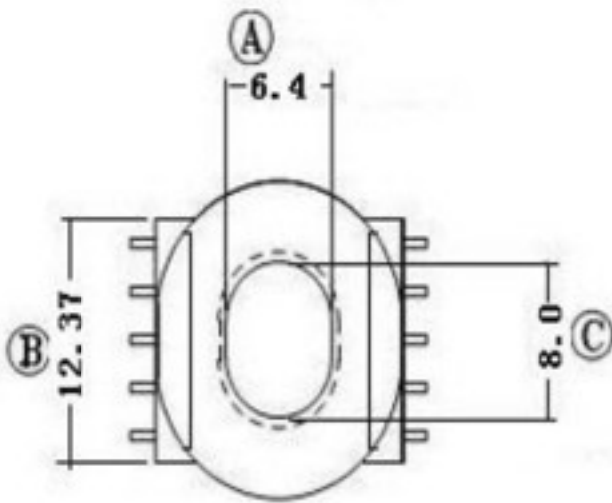
UNIT MM

DATE

2014.10.18

(TYPE)

006010201101001



### Self Electronic

MODEL

EC20/5/10 5+5

MATERIAL

PHENOLIC

TEL

021-66745473  
021-66716806

TOLERANCE

SCALE

DRAW BY

FAX

021-66742368

 $0 < L \leq 4 \quad \pm 0.1$   
 $4 < L \leq 16 \quad \pm 0.2$ 

4/1

CHECK BY

WEBSITE

selfelectronic.com

 $16 < L \leq 63 \quad \pm 0.3$   
 Pin pitch  $\pm 0.2$ 

UNIT

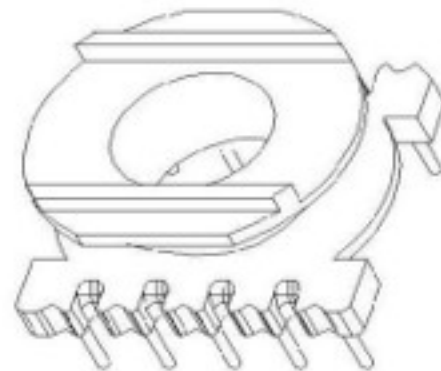
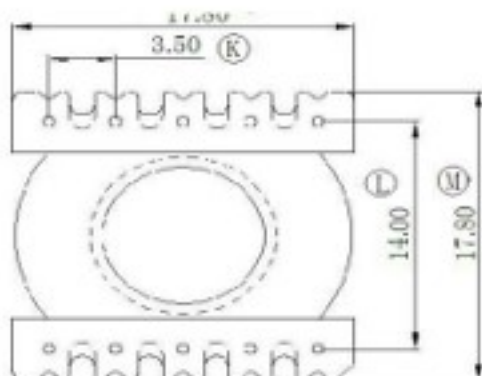
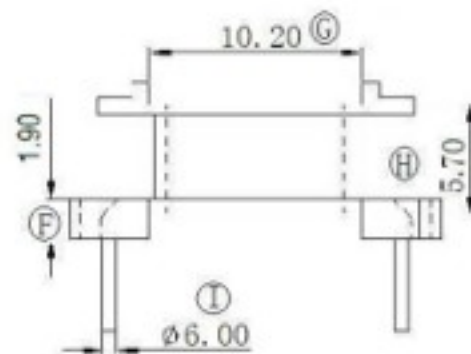
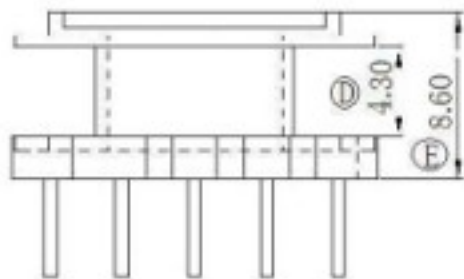
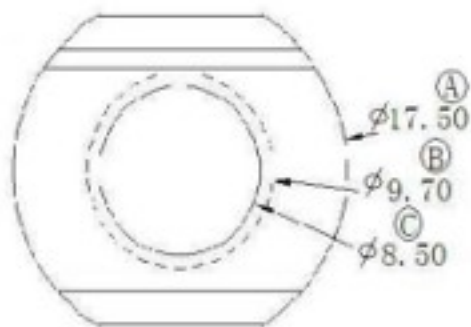
MM

DATE

2014.10.18

(TYPE)

085010251101101



**Self  
Electronic**

MODEL

EC25/5/10 5+5

MATERIAL

PHENOLIC

TEL

021-66745473  
021-66716806

TOLERANCE

SCALE

DRAW BY

FAX

021-66742368

0 &lt;math&gt;L \le 4&lt;/math&gt; ±0.1

4 &lt;math&gt;L \le 16&lt;/math&gt; ±0.2

16 &lt;math&gt;L \le 63&lt;/math&gt; ±0.3

Pin pitch ±0.2

4/1

CHECK BY

WEBSITE

selfelectronic.com

UNIT

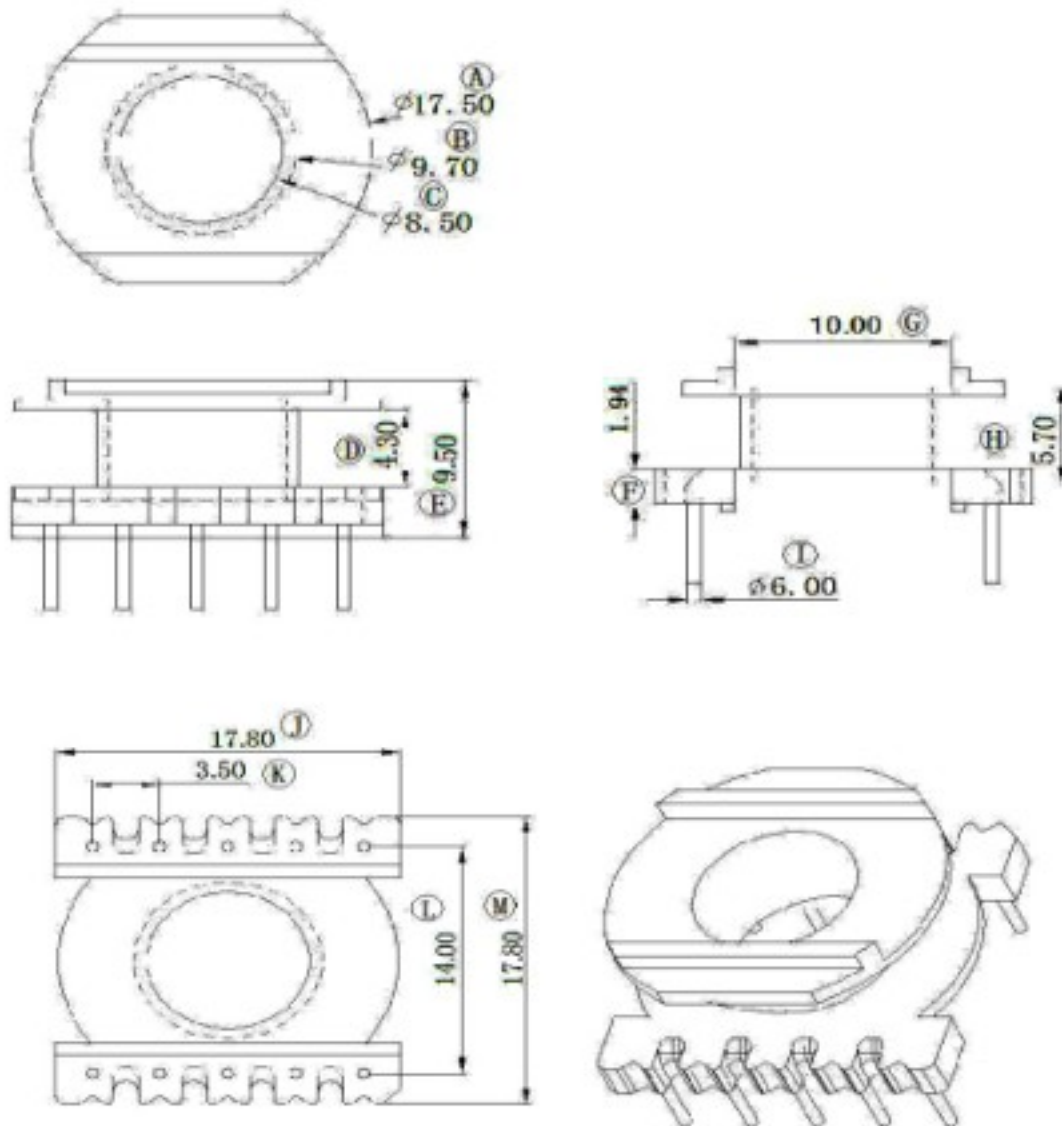
MM

DATE

2014.10.18

(TYPE)

085010251101102



**Self  
Electronic**

MODEL

EC25/5/10 5+5

MATERIAL

PHENOLIC

TEL

021-66745473  
021-66716806

TOLERANCE

SCALE

DRAW BY

FAX

021-66742368

0 &lt; L ≤ 4 ±0.1

4 &lt; L ≤ 16 ±0.2

16 &lt; L ≤ 63 ±0.3

Pin pitch ±0.2

4/1

CHECK BY

WEBSITE

selfelectronic.com

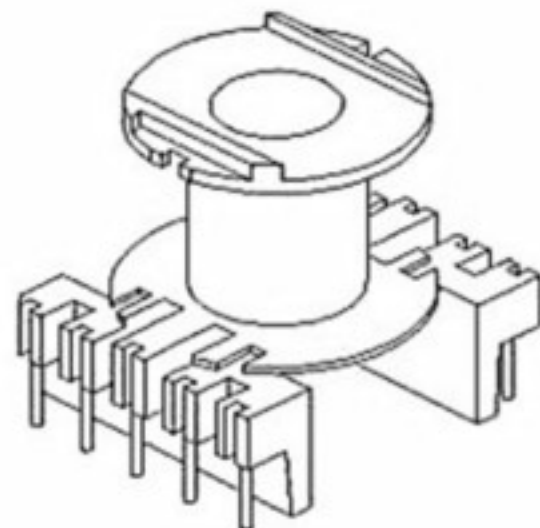
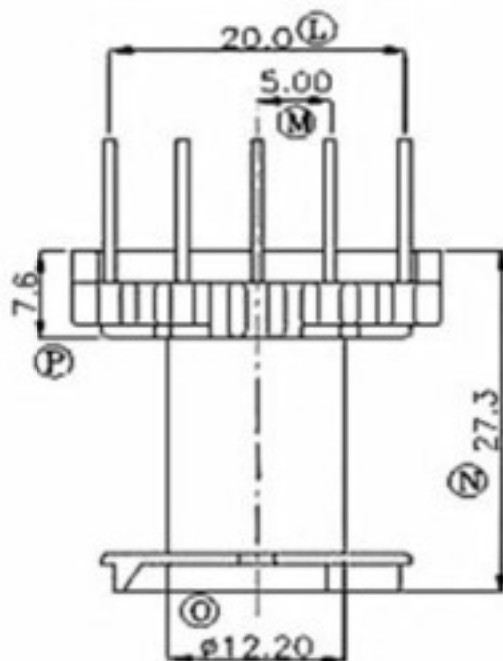
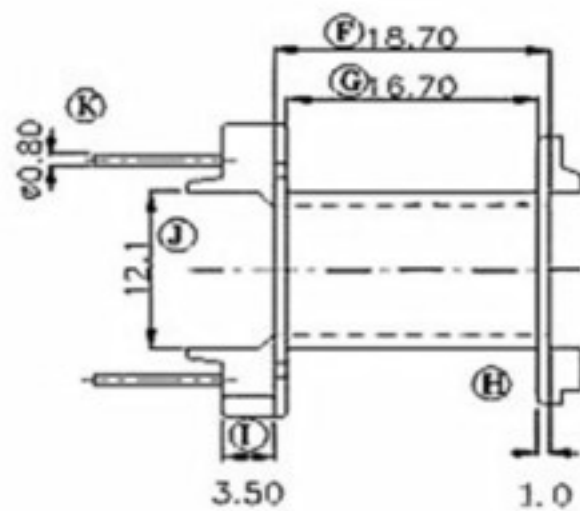
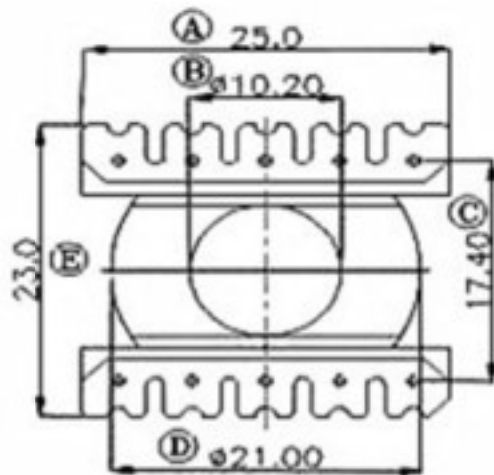
UNIT MM

DATE

2014.10.18

(TYPE)

008010281101001



### Self Electronic

MODEL

EC28/14/11

5+5

MATERIAL

PHENOLIC

TEL

021-66745473  
021-66716806

TOLERANCE

SCALE

DRAW BY

FAX

021-66742368

0 &lt; L ≤ 4 ±0.1

4 &lt; L ≤ 16 ±0.2

16 &lt; L ≤ 63 ±0.3

Pin pitch ±0.2

4/1

CHECK BY

WEBSITE

selfelectronic.com

UNIT

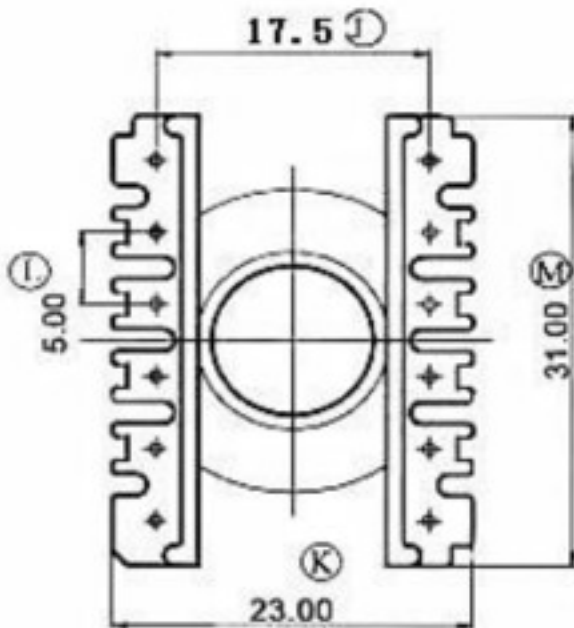
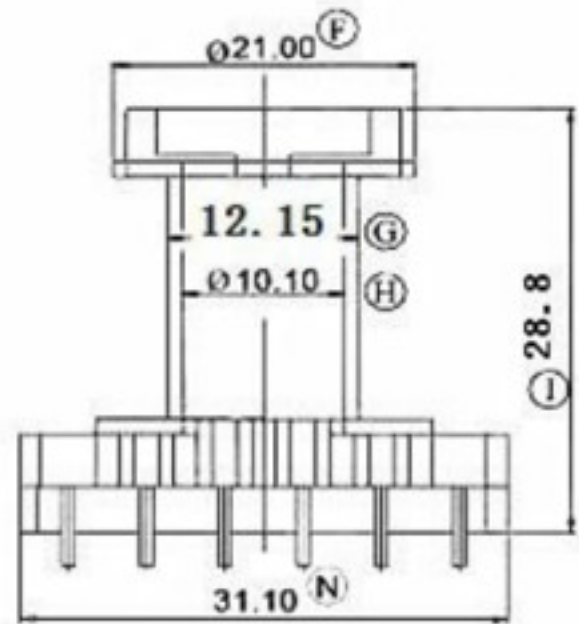
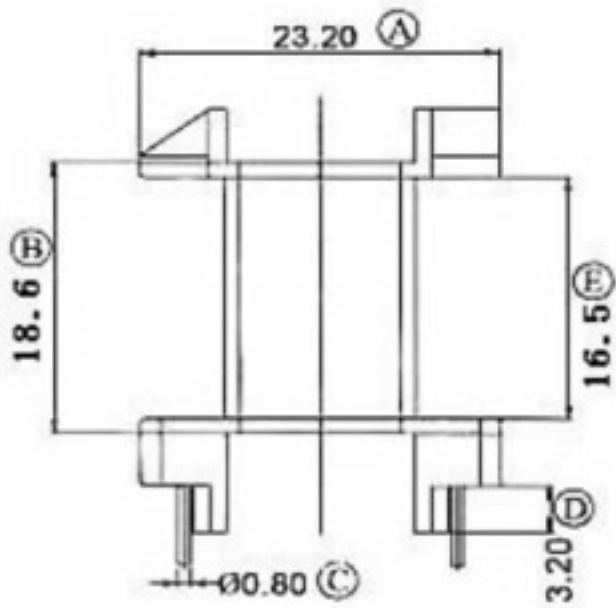
MM

DATE

2014.10.18

(TYPE)

009010281121002



### Self Electronic

MODEL

EC28/14/11

6+6

MATERIAL

PHENOLIC

TEL

021-66745473  
021-66716806

TOLERANCE

SCALE

DRAW BY

FAX

021-66742368

 $0 < L \leq 4 \quad \pm 0.1$   
 $4 < L \leq 16 \quad \pm 0.2$ 

4/1

CHECK BY

WEBSITE

selfelectronic.com

 $16 < L \leq 63 \quad \pm 0.3$   
 Pin pitch  $\pm 0.2$ 

UNIT

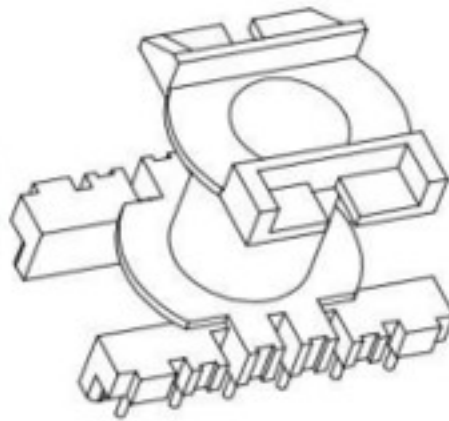
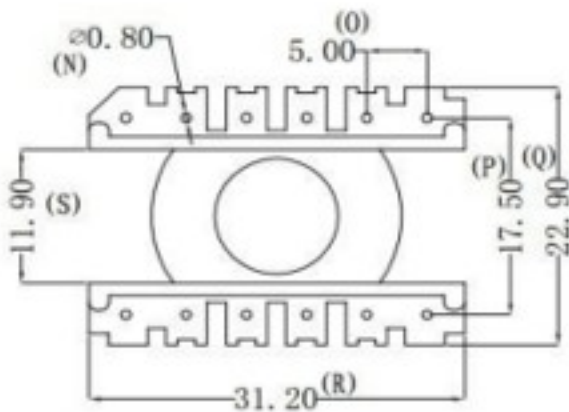
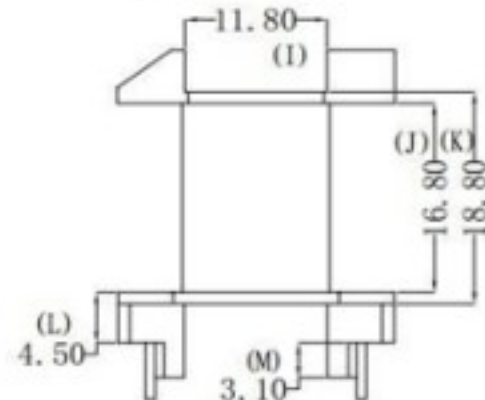
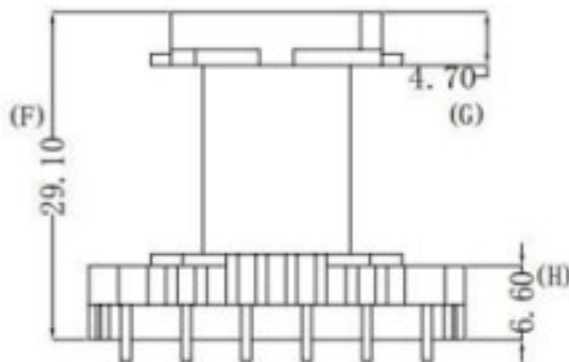
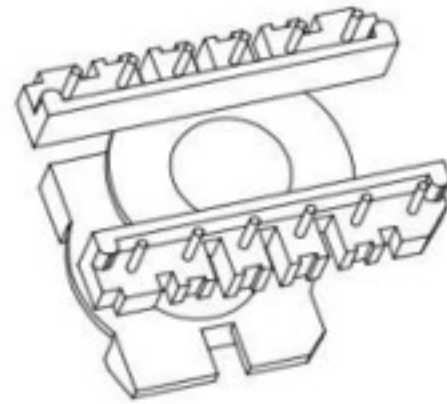
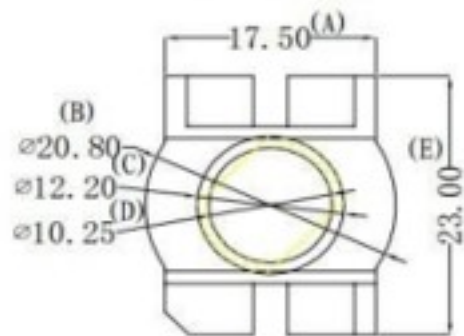
MM

DATE

2014.10.18

(TYPE)

029010281121001



**Self  
Electronic**

MODEL

EC28/14/11 . 6+6

MATERIAL

PHENOLIC

TEL

021-66745473  
021-66716806

TOLERANCE

SCALE

DRAW BY

FAX

021-66742368

0 &lt; L ≤ 4 ±0.1

4 &lt; L ≤ 16 ±0.2

16 &lt; L ≤ 63 ±0.3

Pin pitch ±0.2

4/1

CHECK BY

WEBSITE

selfelectronic.com

UNIT

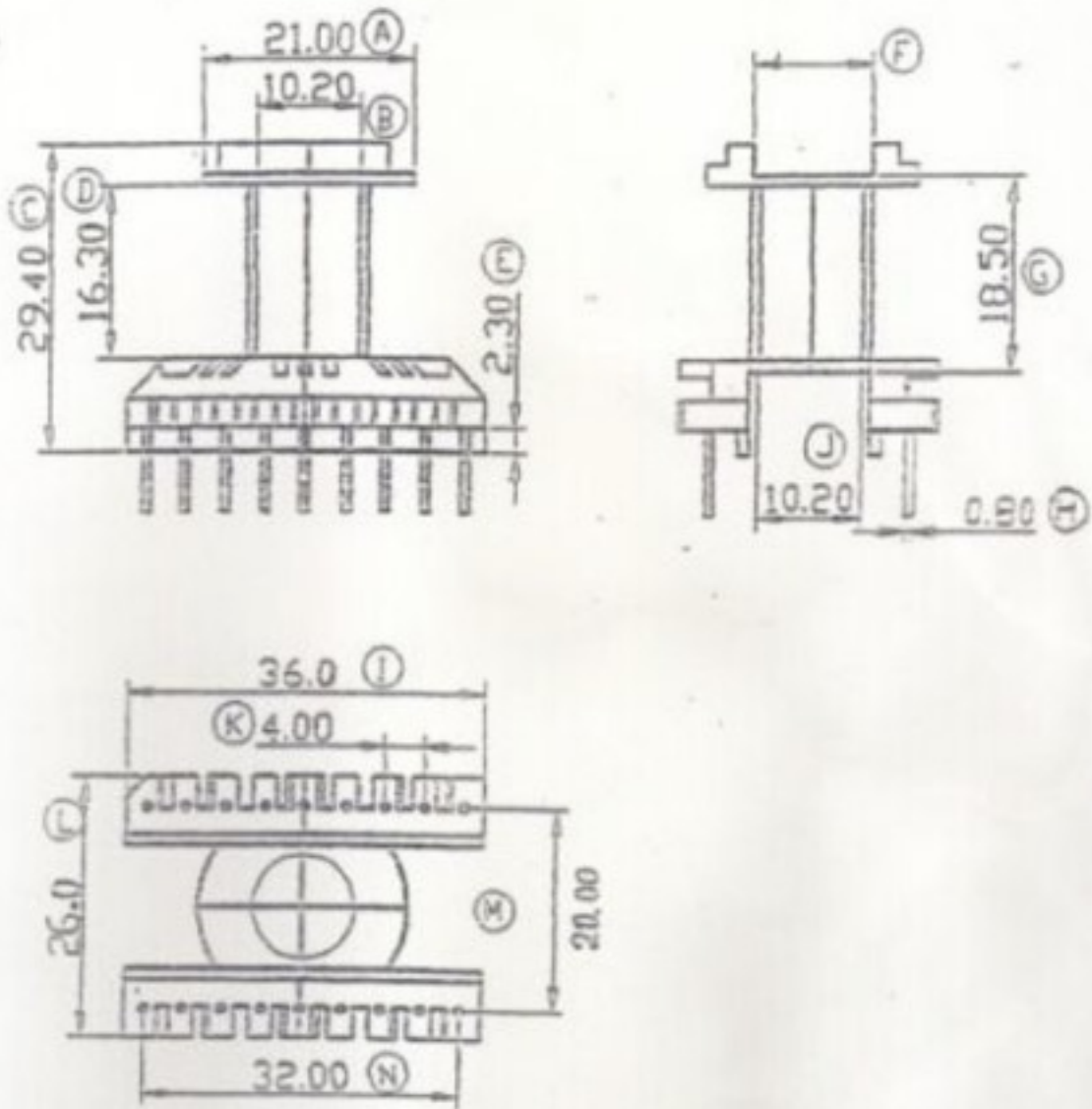
MM

DATE

2014.10.18

(TYPE)

010010281181002



**Self  
Electronic**

MODEL

EC28/14/11

9+9

MATERIAL

PHENOLIC

TEL

021-66745473  
021-66716806

TOLERANCE

SCALE

DRAW BY

FAX

021-66742368

0 &lt; L ≤ 4 ±0.1

4 &lt; L ≤ 16 ±0.2

16 &lt; L ≤ 63 ±0.3

Pin pitch ±0.2

4/1

CHECK BY

WEBSITE

selfelectronic.com

UNIT

MM

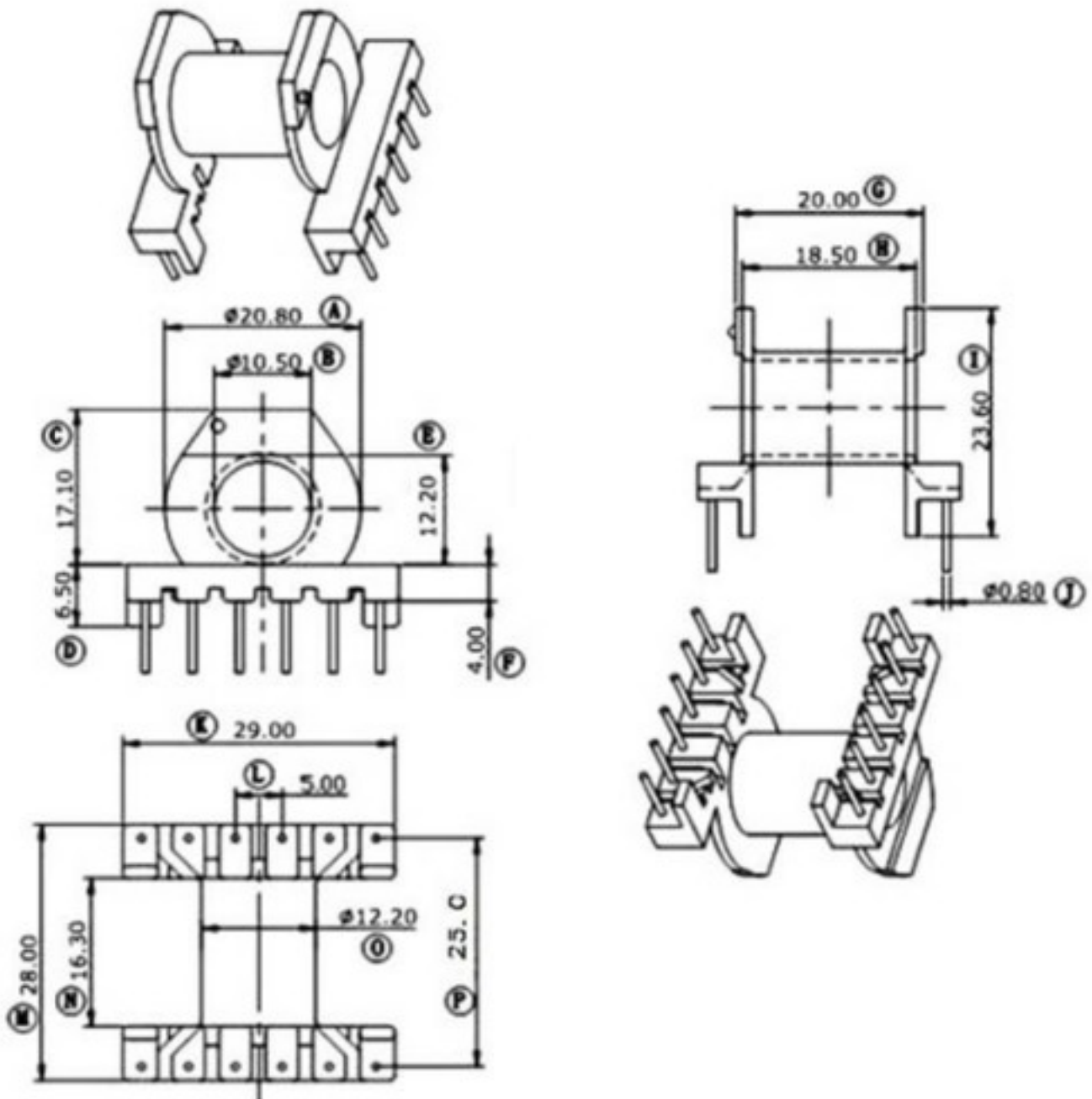
DATE

2014.10.18



(TYPE)

006010282121001



### Self Electronic

MODEL

EC28/14/11

6+6

MATERIAL

PHENOLIC

TEL

021-66745473  
021-66716806

TOLERANCE

SCALE

DRAW BY

FAX

021-66742368

 $0 < L \leq 4 \quad \pm 0.1$   
 $4 < L \leq 16 \quad \pm 0.2$ 

4/1

CHECK BY

WEBSITE

selfelectronic.com

 $16 < L \leq 63 \quad \pm 0.3$   
 Pin pitch  $\pm 0.2$ 

UNIT

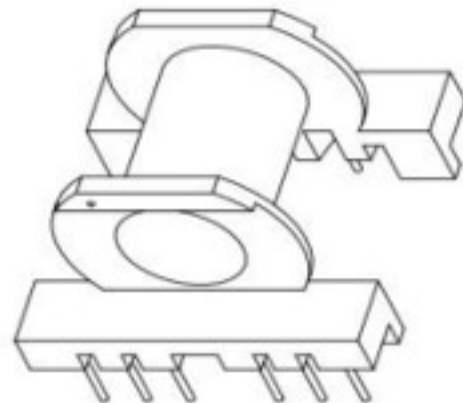
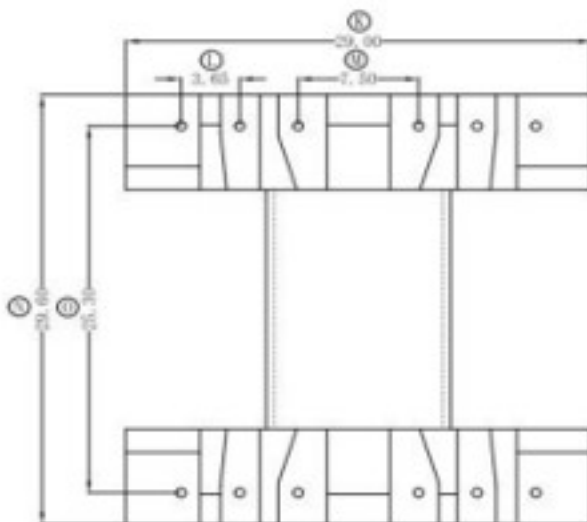
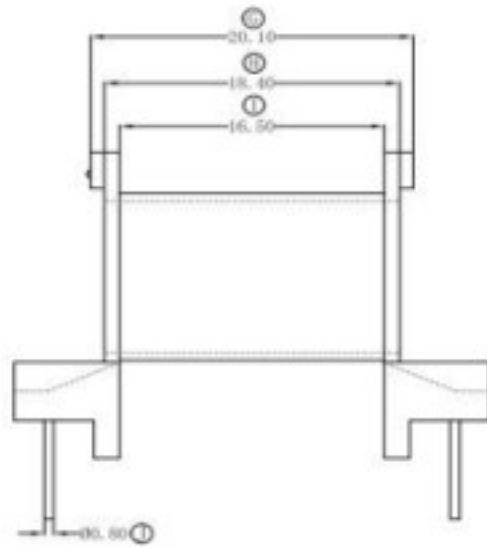
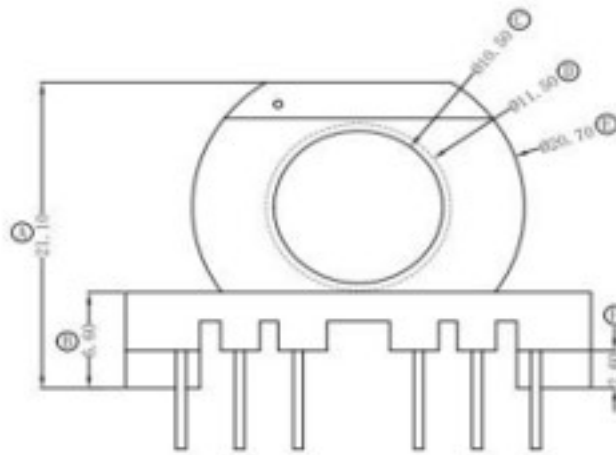
MM

DATE

2014.10.18

(TYPE)

006010282121102



**Self  
Electronic**

MODEL

EC28/14/11 6+6

7.5mm/3.5mm

MATERIAL

PHENOLIC

TEL

021-66745473  
021-66716806

TOLERANCE

SCALE

DRAW BY

FAX

021-66742368

 $0 < L \leq 4 \quad \pm 0.1$   
 $4 < L \leq 16 \quad \pm 0.2$ 

4/1

CHECK BY

WEBSITE

selfelectronic.com

 $16 < L \leq 63 \quad \pm 0.3$   
 Pin pitch  $\pm 0.2$ 

UNIT

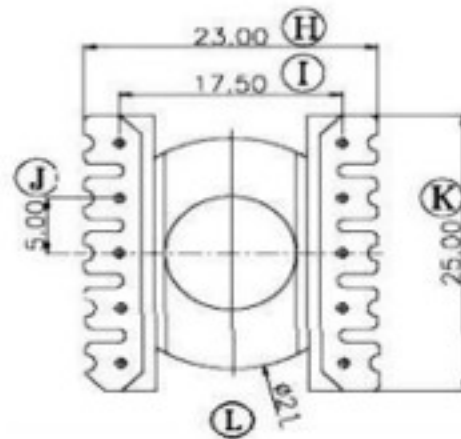
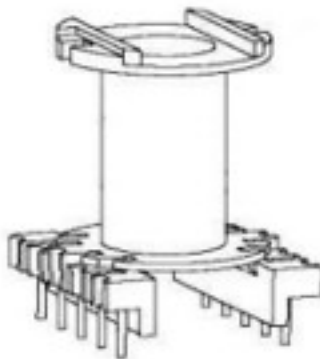
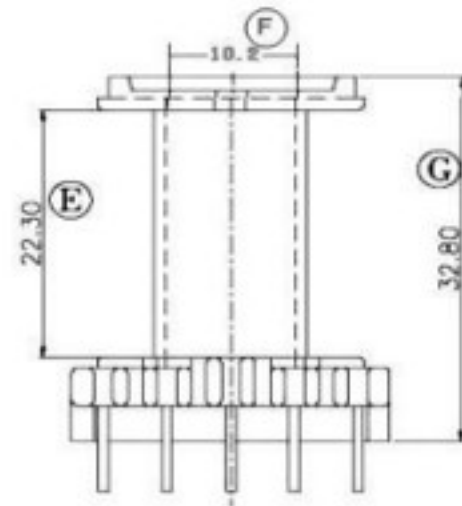
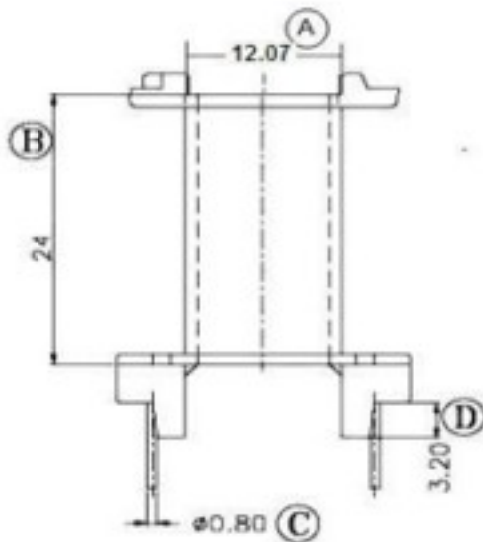
MM

DATE

2014.10.18

(TYPE)

009010281101001



**Self  
Electronic**

MODEL

EC28/17/1

5+5

MATERIAL

PHENOLIC

TEL

021-66745473  
021-66716806

TOLERANCE

SCALE

DRAW BY

FAX

021-66742368

 $0 < L \leq 4 \quad \pm 0.1$   
 $4 < L \leq 16 \quad \pm 0.2$ 

4/1

CHECK BY

WEBSITE

selfelectronic.com

 $16 < L \leq 63 \quad \pm 0.3$   
 Pin pitch  $\pm 0.2$ 

UNIT

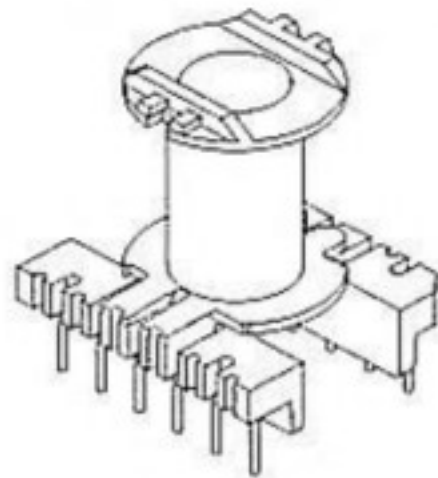
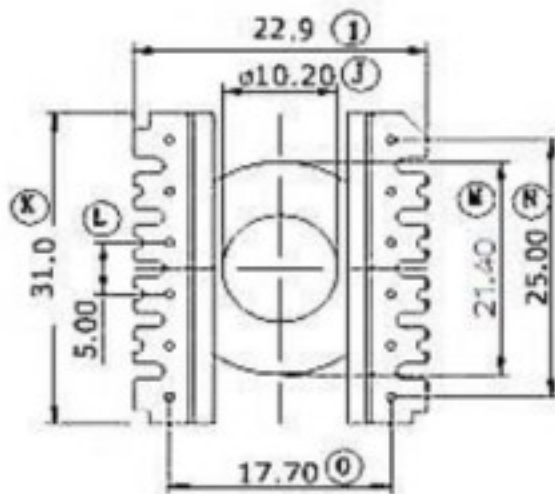
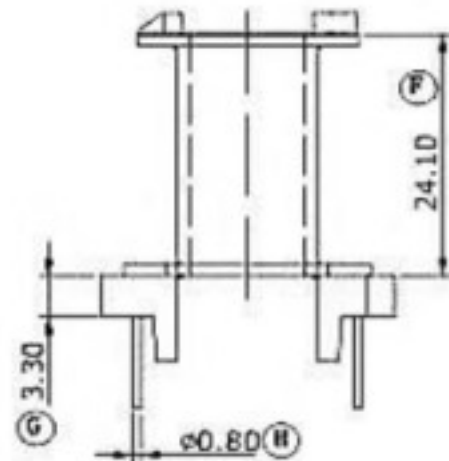
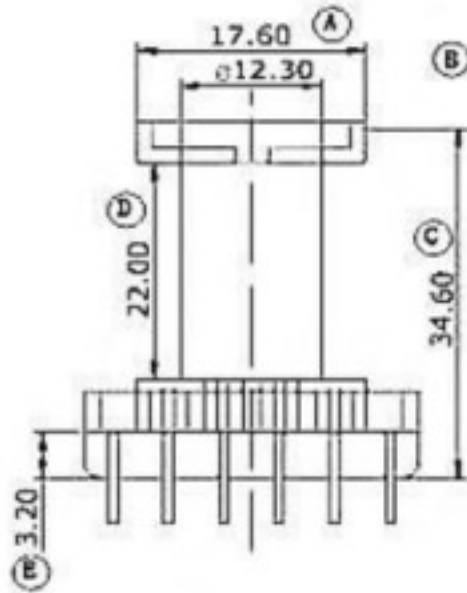
MM

DATE

2014.10.18

(TYPE)

009010281121001



### Self Electronic

MODEL

EC28/17/11

6+6

MATERIAL

PHENOLIC

TEL

021-66745473  
021-66716806

TOLERANCE

SCALE

DRAW BY

FAX

021-66742368

 $0 < L \leq 4 \quad \pm 0.1$   
 $4 < L \leq 16 \quad \pm 0.2$ 

4/1

CHECK BY

WEBSITE

selfelectronic.com

 $16 < L \leq 63 \quad \pm 0.3$   
 Pin pitch  $\pm 0.2$ 

UNIT

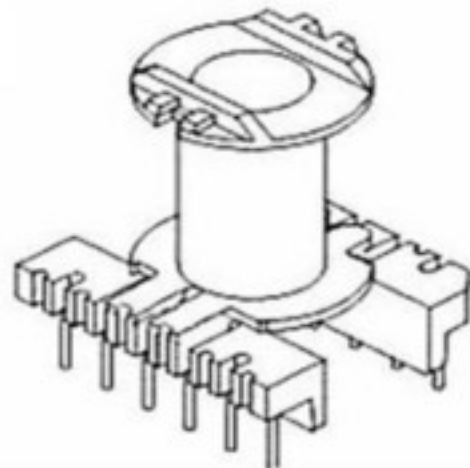
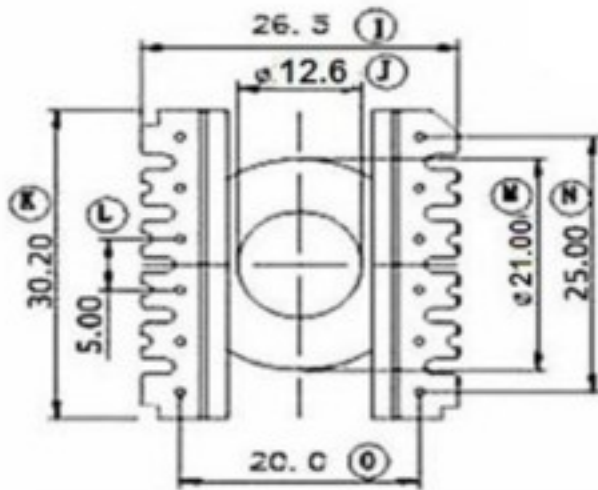
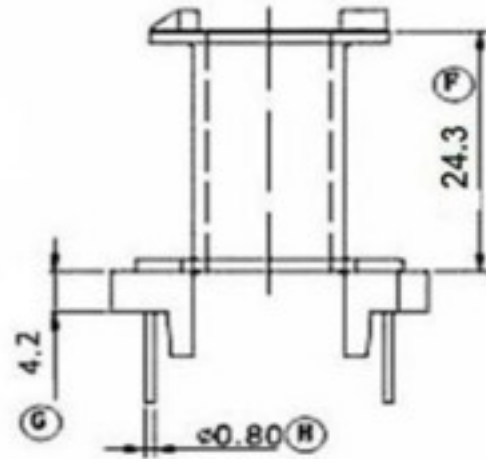
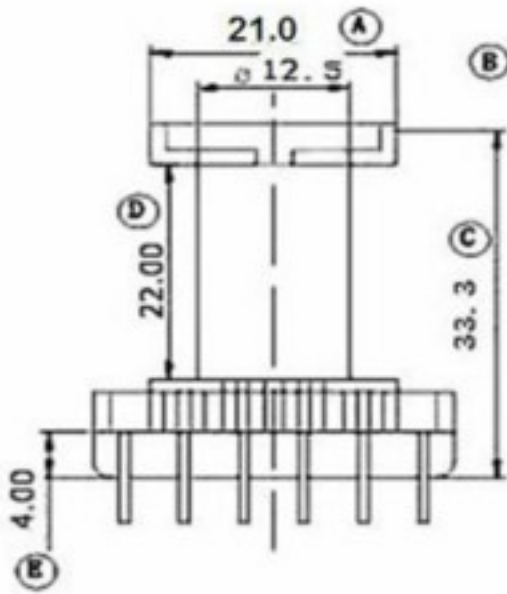
MM

DATE

2014.10.18

(TYPE)

010010281121001



### Self Electronic

MODEL

EC28/17/11

6+6

NAME

20mm

MATERIAL

PHENOLIC

TEL

021-66745473  
021-66716806

TOLERANCE

SCALE

DRAW BY

FAX

021-66742368

0 &lt; L ≤ 4 ±0.1

4 &lt; L ≤ 16 ±0.2

16 &lt; L ≤ 63 ±0.3

Pin pitch ±0.2

4/1

CHECK BY

WEBSITE

selfelectronic.com

UNIT

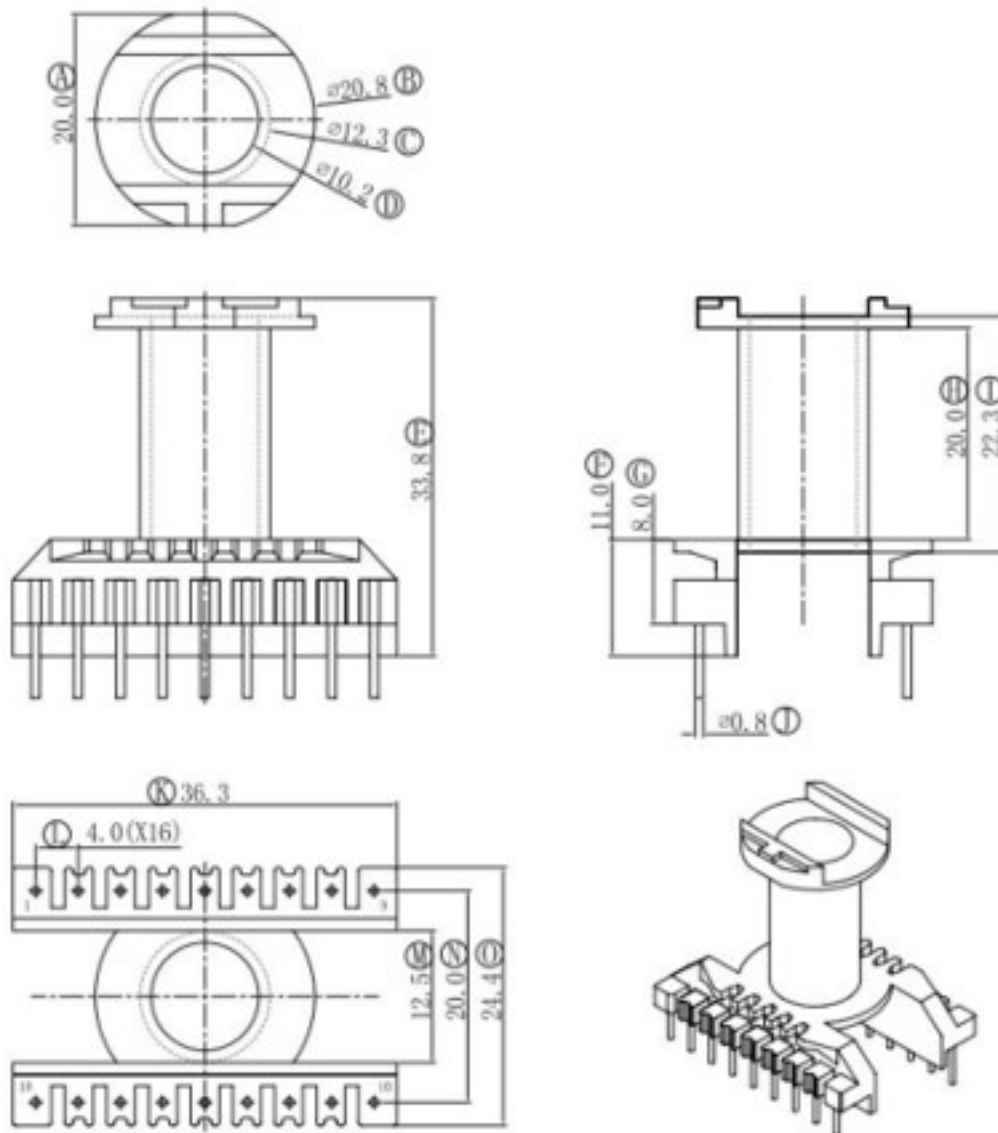
MM

DATE

2014.10.18

(TYPE)

010010281181001



**Self  
Electronic**

MODEL

EC28/17/11 9+9

20mm

MATERIAL

PHENOLIC

TEL

021-66745473  
021-66716806

TOLERANCE

SCALE

DRAW BY

FAX

021-66742368

 $0 < L \leq 4 \quad \pm 0.1$   
 $4 < L \leq 16 \quad \pm 0.2$ 

4/1

CHECK BY

WEBSITE

selfelectronic.com

 $16 < L \leq 63 \quad \pm 0.3$   
 Pin pitch  $\pm 0.2$ 

UNIT

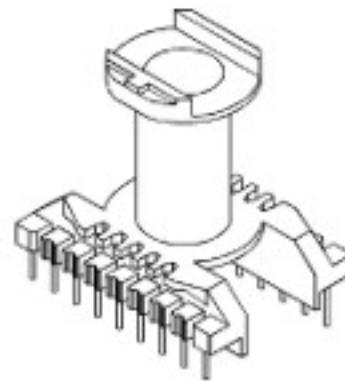
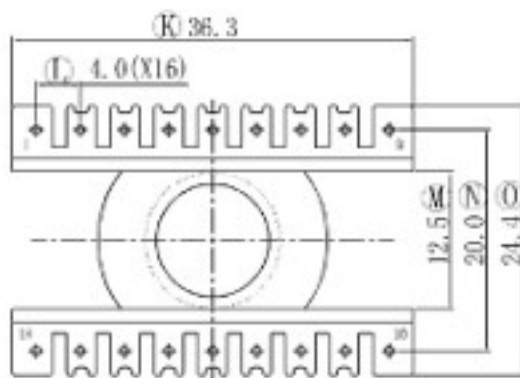
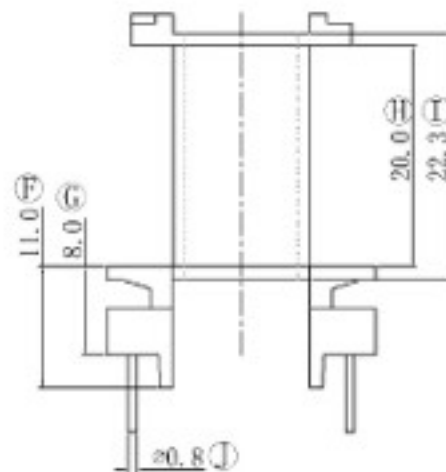
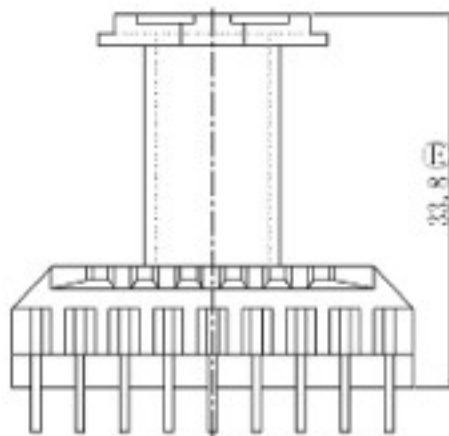
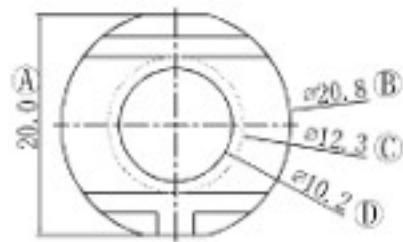
MM

DATE

2014.10.18

(TYPE)

011010281181001



**Self  
Electronic**

MODEL

EC28/17/11 9+9

20mm

MATERIAL

PHENOLIC

TEL

021-66745473  
021-66716806

TOLERANCE

SCALE

DRAW BY

FAX

021-66742368

 $0 < L \leq 4 \quad \pm 0.1$   
 $4 < L \leq 16 \quad \pm 0.2$ 

4/1

CHECK BY

WEBSITE

selfelectronic.com

 $16 < L \leq 63 \quad \pm 0.3$   
 Pin pitch  $\pm 0.2$ 

UNIT

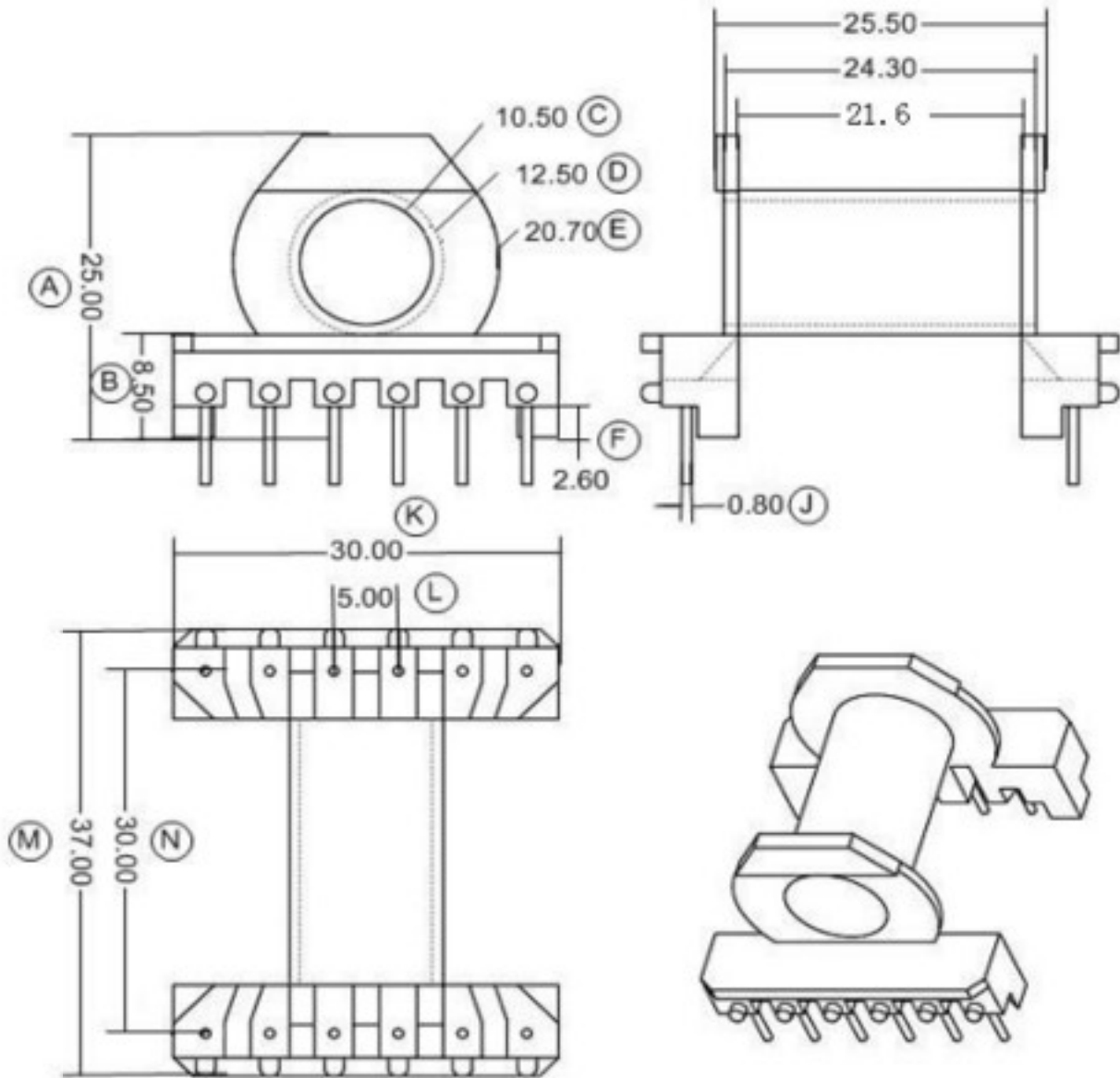
MM

DATE

2014.10.18

(TYPE)

006010282121103



**Self  
Electronic**

MODEL

EC28/17/11

6+6

MATERIAL

PHENOLIC

TEL

021-66745473  
021-66716806

TOLERANCE

SCALE

DRAW BY

FAX

021-66742368

0 &lt; L ≤ 4 ±0.1

4 &lt; L ≤ 16 ±0.2

16 &lt; L ≤ 63 ±0.3

Pin pitch ±0.2

4/1

CHECK BY

WEBSITE

selfelectronic.com

UNIT

MM

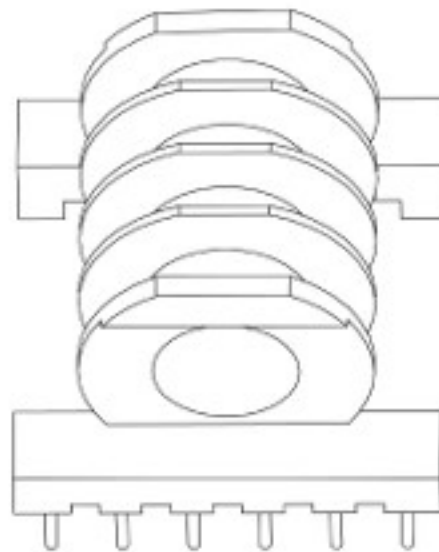
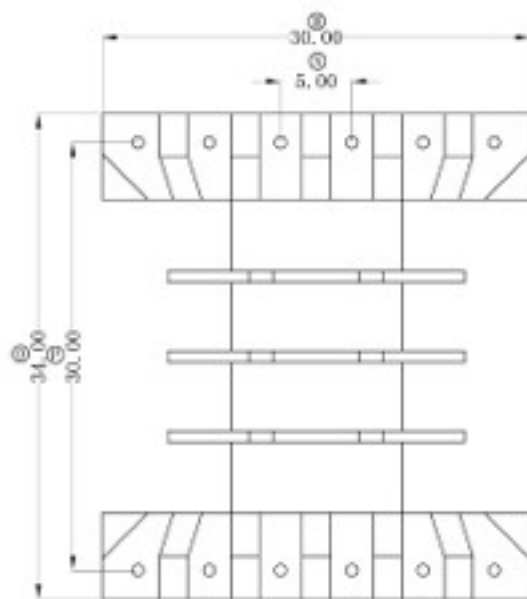
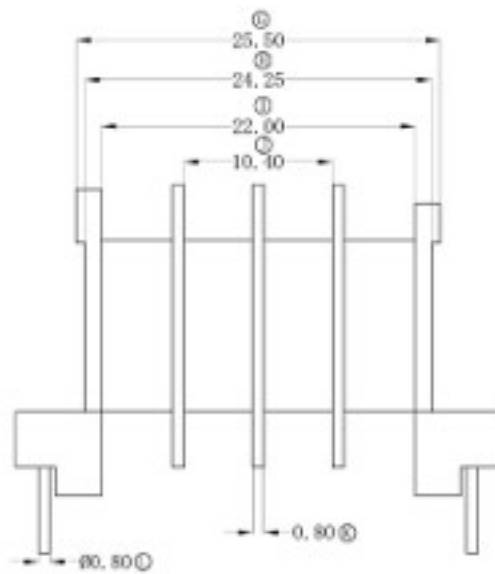
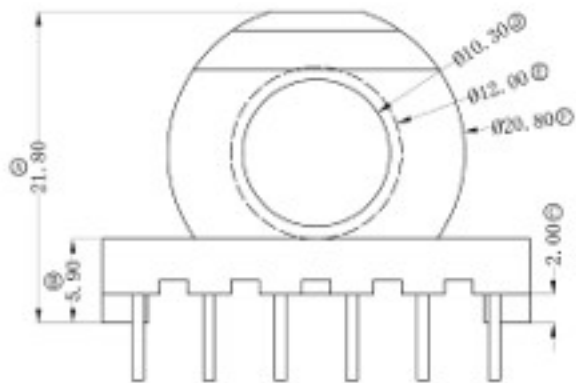
DATE

2014.10.18



(TYPE)

006010282124105



**Self  
Electronic**

MODEL

EC28/17/11

MATERIAL

PHENOLIC

TEL

021-66745473  
021-66716806

TOLERANCE

SCALE

DRAW BY

FAX

021-66742368

 $0 < L \leq 4 \quad \pm 0.1$   
 $4 < L \leq 16 \quad \pm 0.2$ 

4/1

CHECK BY

WEBSITE

selfelectronic.com

 $16 < L \leq 63 \quad \pm 0.3$   
 Pin pitch  $\pm 0.2$ 

UNIT

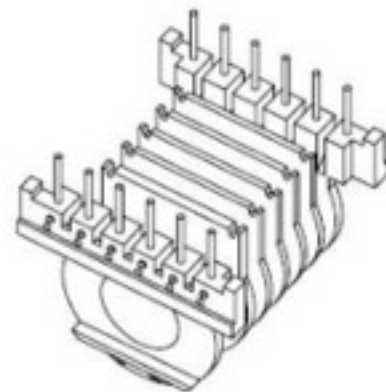
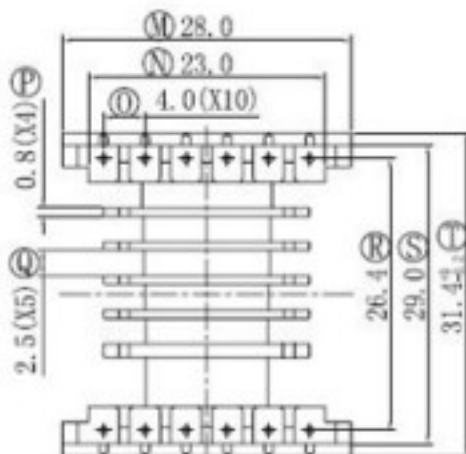
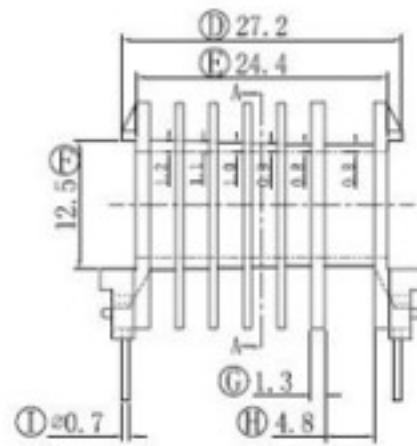
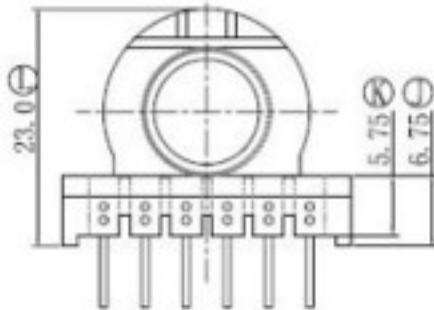
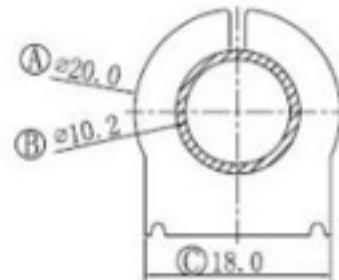
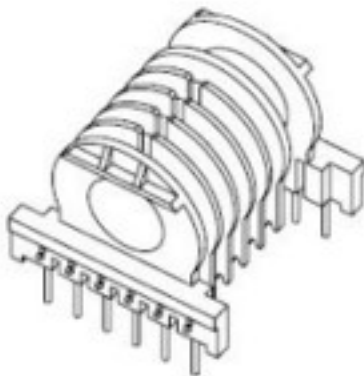
MM

DATE

2014.10.18

(TYPE)

011010282126001



**Self  
Electronic**

MODEL

EC28/17/11

MATERIAL

PHENOLIC

TEL

021-66745473  
021-66716806

TOLERANCE

SCALE

DRAW BY

FAX

021-66742368

 $0 < L \leq 4 \quad \pm 0.1$   
 $4 < L \leq 16 \quad \pm 0.2$ 

4/1

CHECK BY

WEBSITE

selfelectronic.com

 $16 < L \leq 63 \quad \pm 0.3$   
 Pin pitch  $\pm 0.2$ 

UNIT

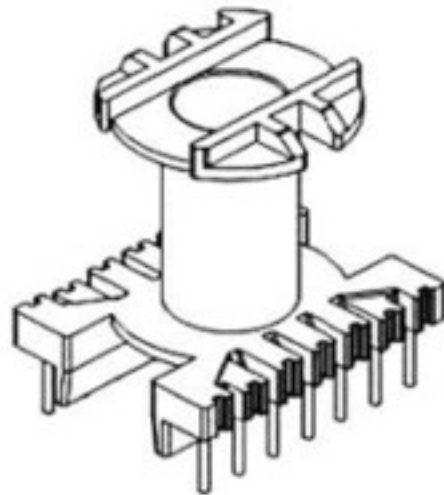
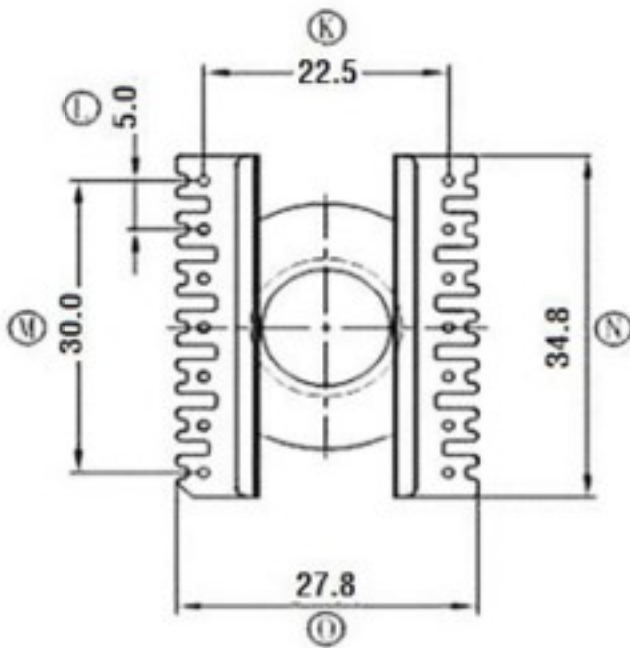
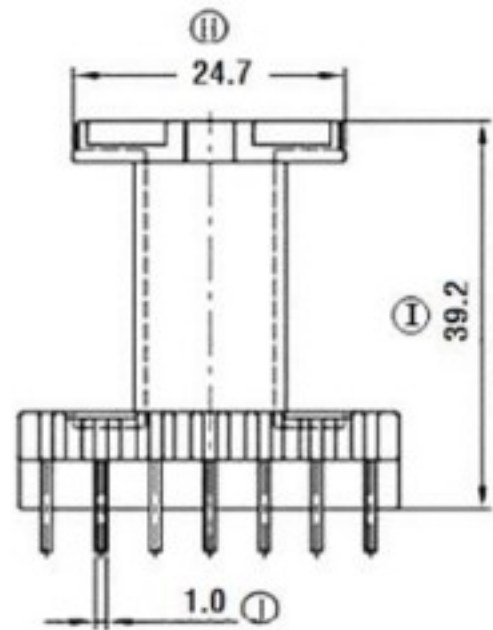
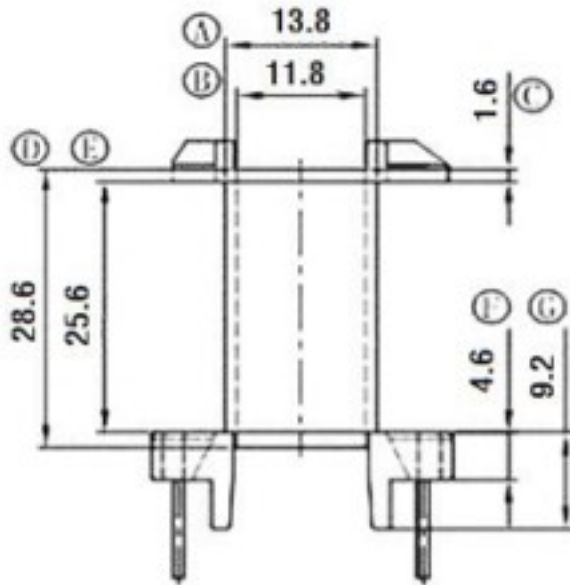
MM

DATE

2014.10.18

(TYPE)

001010351141001



**Self  
Electronic**

MODEL

EC35/21/11

7+7

MATERIAL

PHENOLIC

TEL

021-66745473  
021-66716806

TOLERANCE

SCALE

DRAW BY

FAX

021-66742368

 $0 < L \leq 4 \quad \pm 0.1$   
 $4 < L \leq 16 \quad \pm 0.2$ 

4/1

CHECK BY

WEBSITE

selfelectronic.com

 $16 < L \leq 63 \quad \pm 0.3$   
 Pin pitch  $\pm 0.2$ 

UNIT

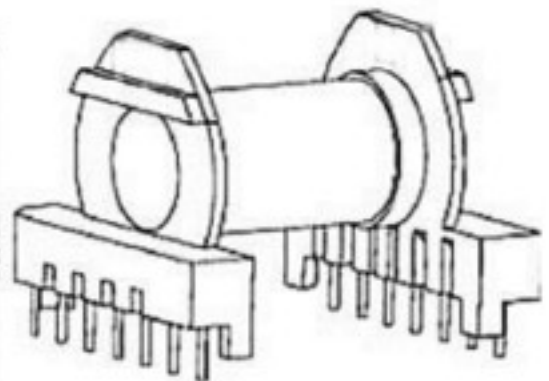
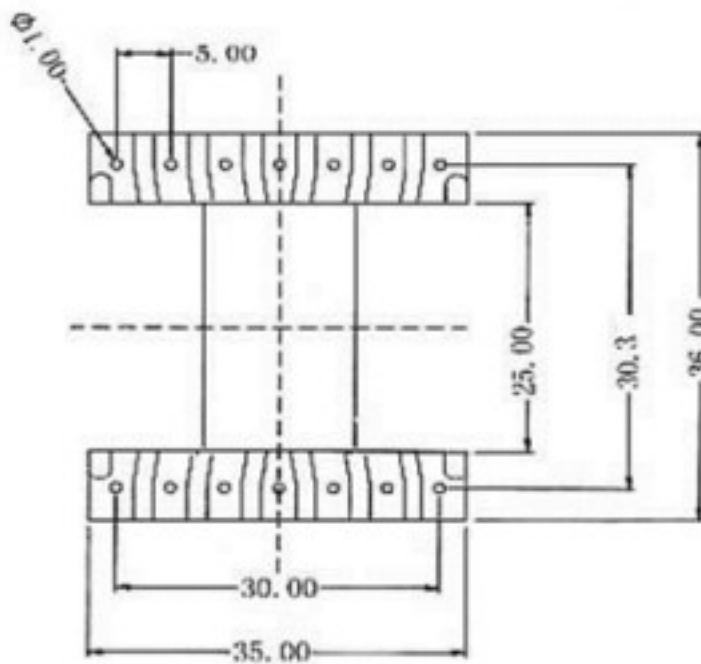
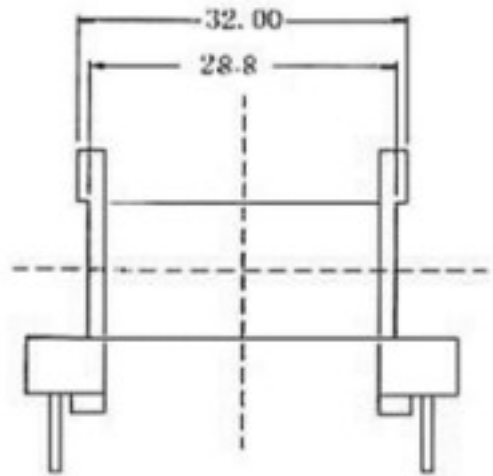
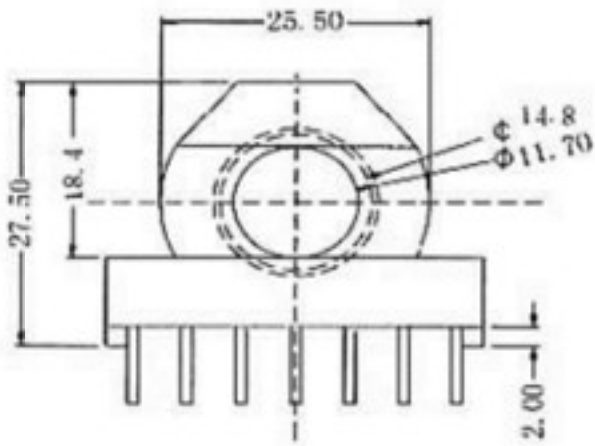
MM

DATE

2013.11-03

(TYPE)

001010352141001



**Self  
Electronic**

MODEL

EC35/21/11

7+7

MATERIAL

PHENOLIC

TEL

021-66745473  
021-66716806

TOLERANCE

SCALE

DRAW BY

FAX

021-66742368

 $0 < L \leq 4 \quad \pm 0.1$   
 $4 < L \leq 16 \quad \pm 0.2$ 

4/1

CHECK BY

WEBSITE

selfelectronic.com

 $16 < L \leq 63 \quad \pm 0.3$   
 Pin pitch  $\pm 0.2$ 

UNIT

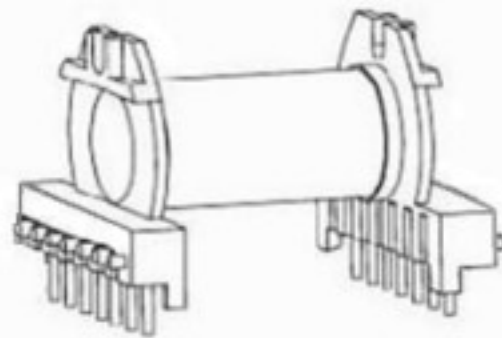
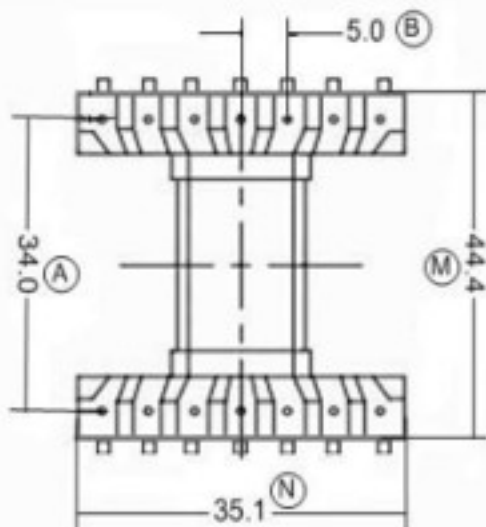
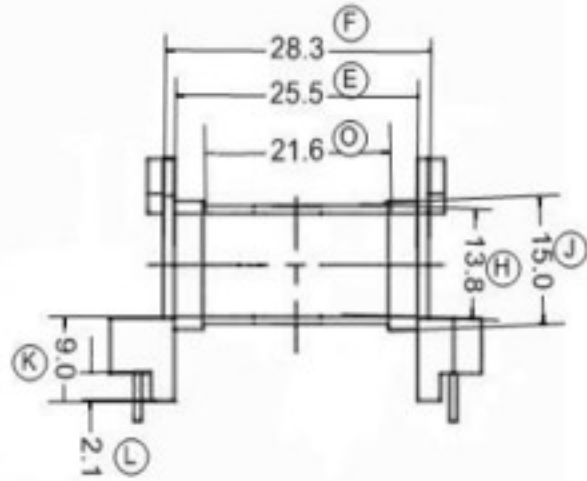
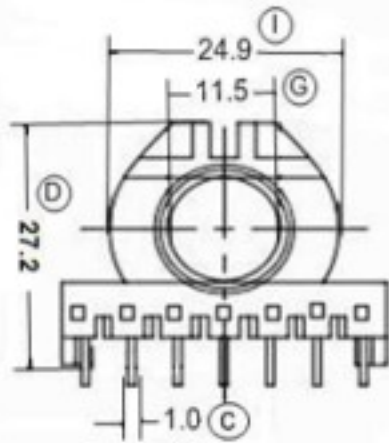
MM

DATE

2014.10.18

(TYPE)

005010352141101



### Self Electronic

MODEL

EC35/21/11

7+7

MATERIAL

PHENOLIC

TEL

021-66745473  
021-66716806

TOLERANCE

SCALE

DRAW BY

FAX

021-66742368

 $0 < L \leq 4 \quad \pm 0.1$   
 $4 < L \leq 16 \quad \pm 0.2$ 

4/1

CHECK BY

WEBSITE

selfelectronic.com

 $16 < L \leq 63 \quad \pm 0.3$   
 Pin pitch  $\pm 0.2$ 

UNIT

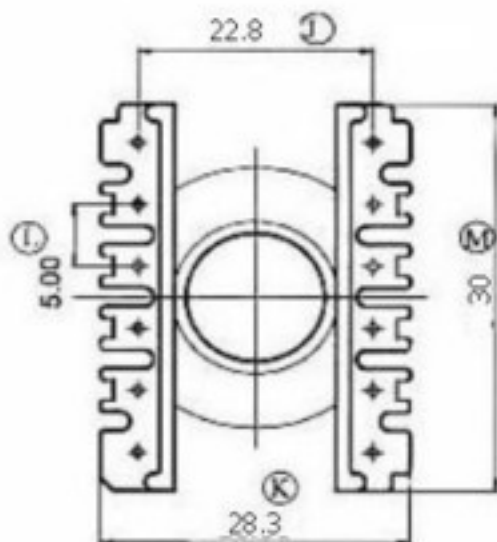
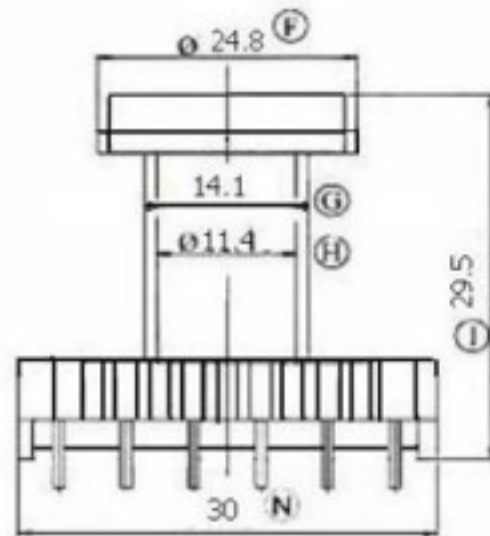
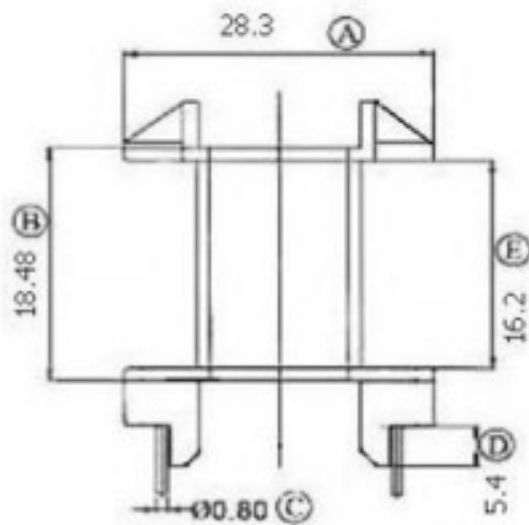
MM

DATE

2014.10.18

(TYPE)

005010351121101



### Self Electronic

MODEL

EC35/30 6+6

MATERIAL

PHENOLIC

TEL

021-66745473  
021-66716806

TOLERANCE

SCALE

DRAW BY

FAX

021-66742368

 $0 < L \leq 4 \quad \pm 0.1$   
 $4 < L \leq 16 \quad \pm 0.2$   
 $16 < L \leq 63 \quad \pm 0.3$ 

4/1

CHECK BY

WEBSITE

selfelectronic.com

Pin pitch  $\pm 0.2$ 

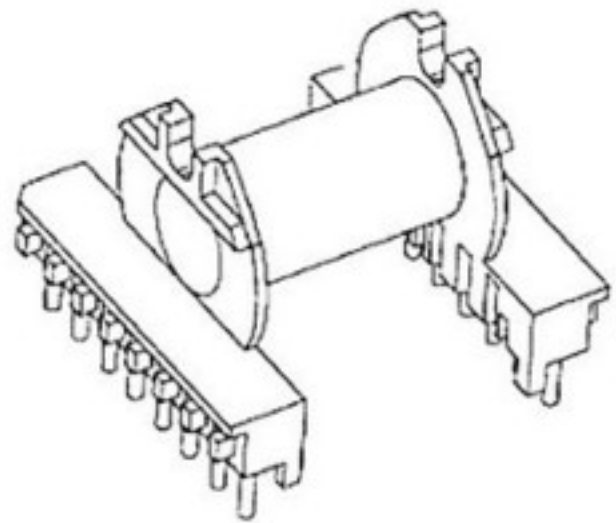
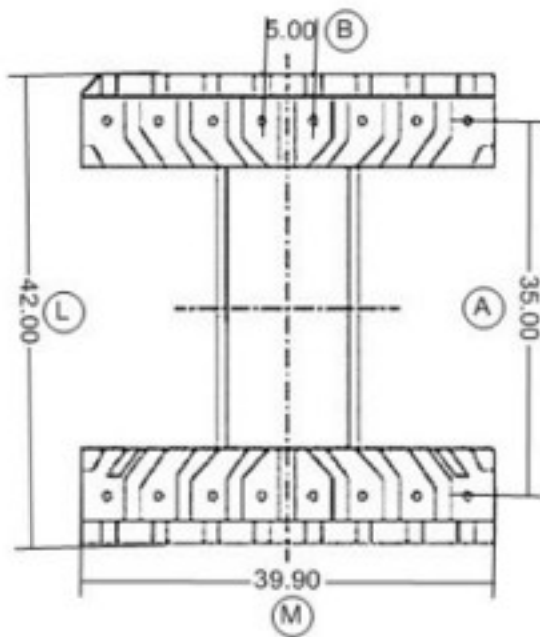
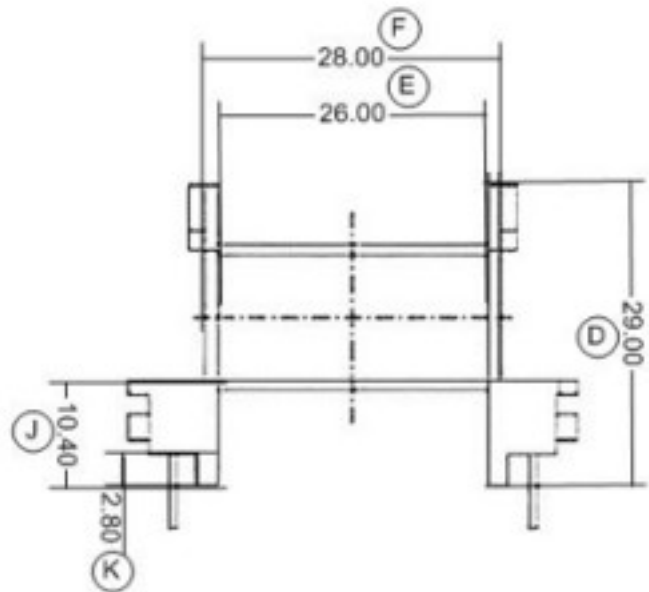
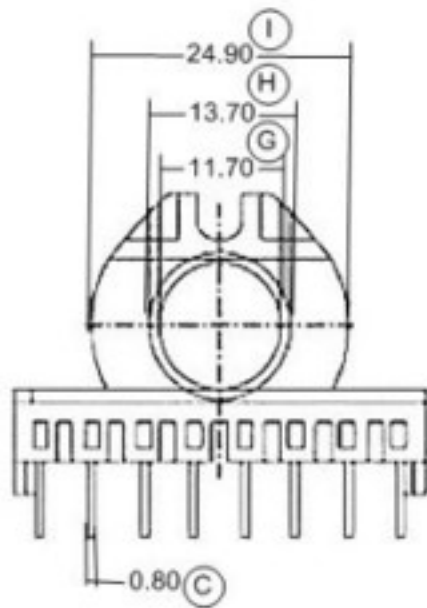
UNIT MM

DATE

2014.10.18

(TYPE)

005010352161001



**Self  
Electronic**

MODEL

EC35/21/11

8+8

MATERIAL

PHENOLIC

TEL

021-66745473  
021-66716806

TOLERANCE

SCALE

DRAW BY

FAX

021-66742368

 $0 < L \leq 4 \quad \pm 0.1$   
 $4 < L \leq 16 \quad \pm 0.2$ 

4/1

CHECK BY

WEBSITE

selfelectronic.com

 $16 < L \leq 63 \quad \pm 0.3$   
 Pin pitch  $\pm 0.2$ 

UNIT

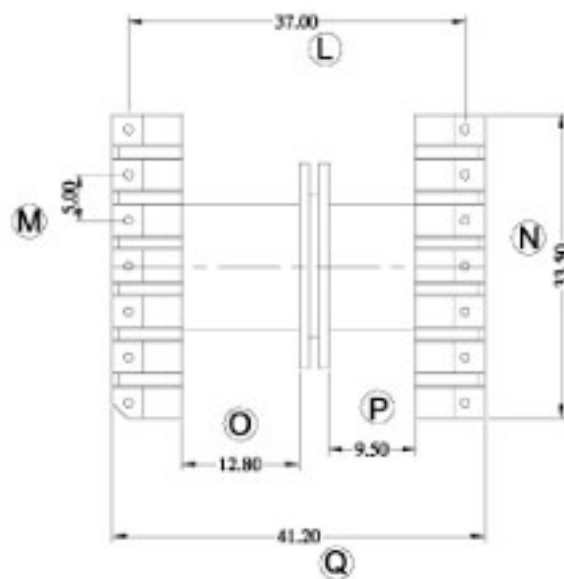
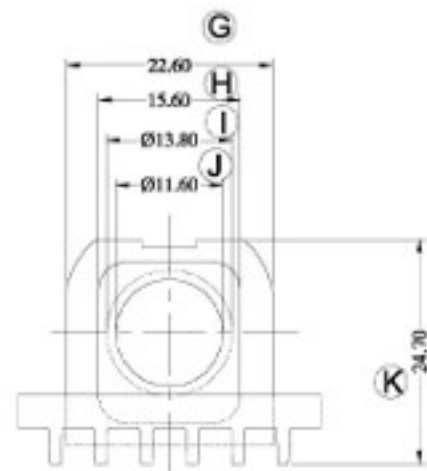
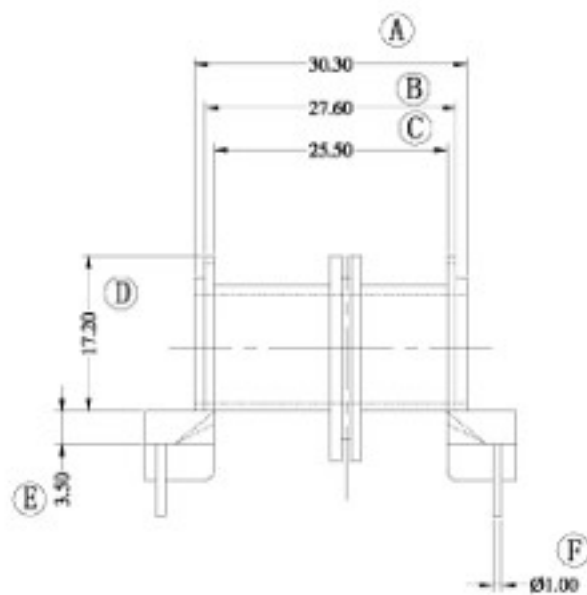
MM

DATE

2014.10.18

(TYPE)

009010352142001



**Self  
Electronic**

MODEL

EC35/21/11  
7+7

MATERIAL

PHENOLIC

TEL

021-66745473  
021-66716806

TOLERANCE

SCALE

DRAW BY

FAX

021-66742368

0 &lt; L ≤ 4 ±0.1

4 &lt; L ≤ 16 ±0.2

16 &lt; L ≤ 63 ±0.3

Pin pitch ±0.2

4/1

CHECK BY

WEBSITE

selfelectronic.com

UNIT

MM

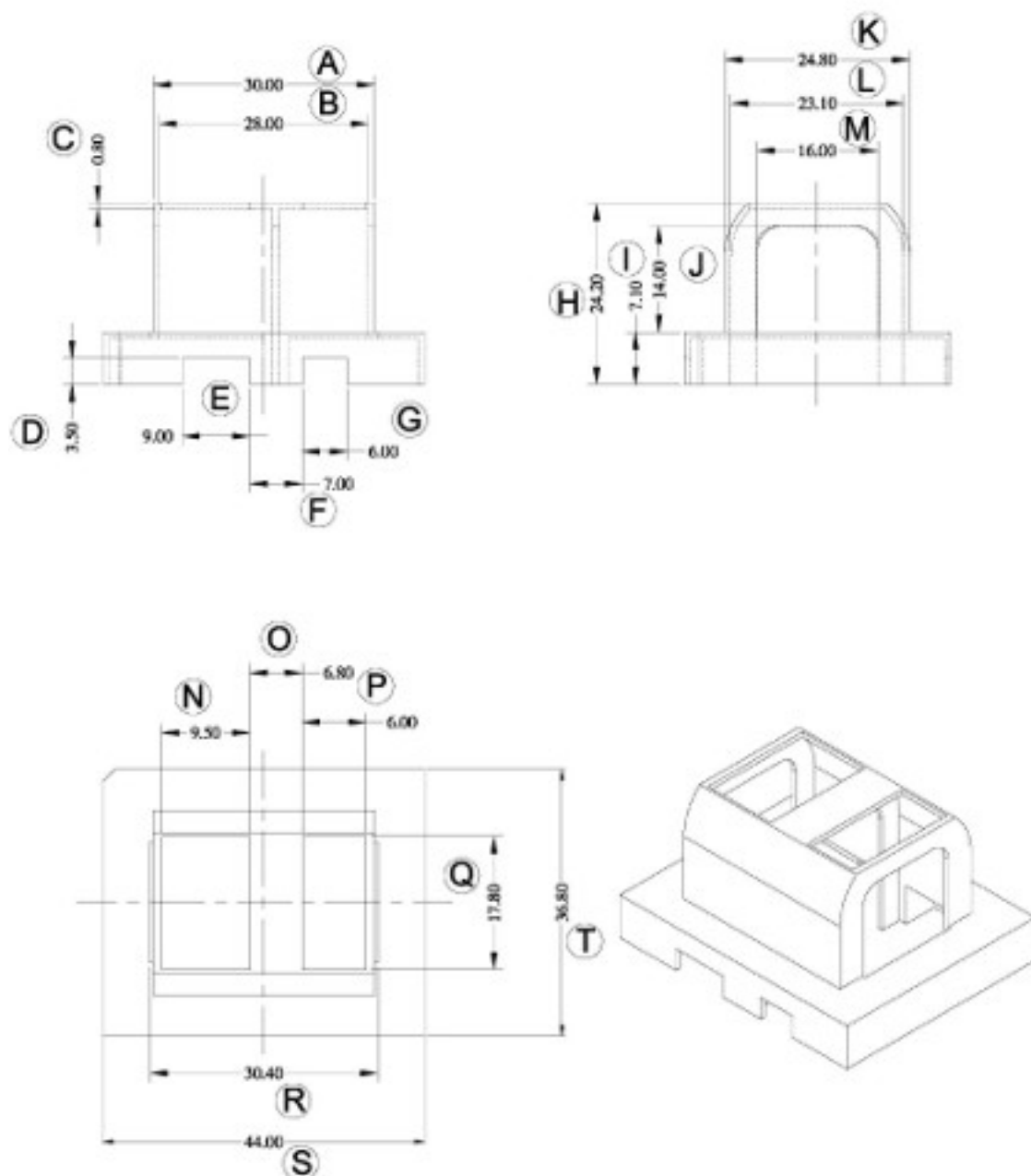
DATE

2014.10.10



(TYPE)

009010352142001



**Self  
Electronic**

MODEL

EC35/21/11

MATERIAL

PHENOLIC

TEL

021-66745473  
021-66716806

TOLERANCE

SCALE

DRAW BY

FAX

021-66742368

0 &lt; L ≤ 4 ±0.1

4 &lt; L ≤ 16 ±0.2

16 &lt; L ≤ 63 ±0.3

Pin pitch ±0.2

4/1

CHECK BY

WEBSITE

selfelectronic.com

UNIT

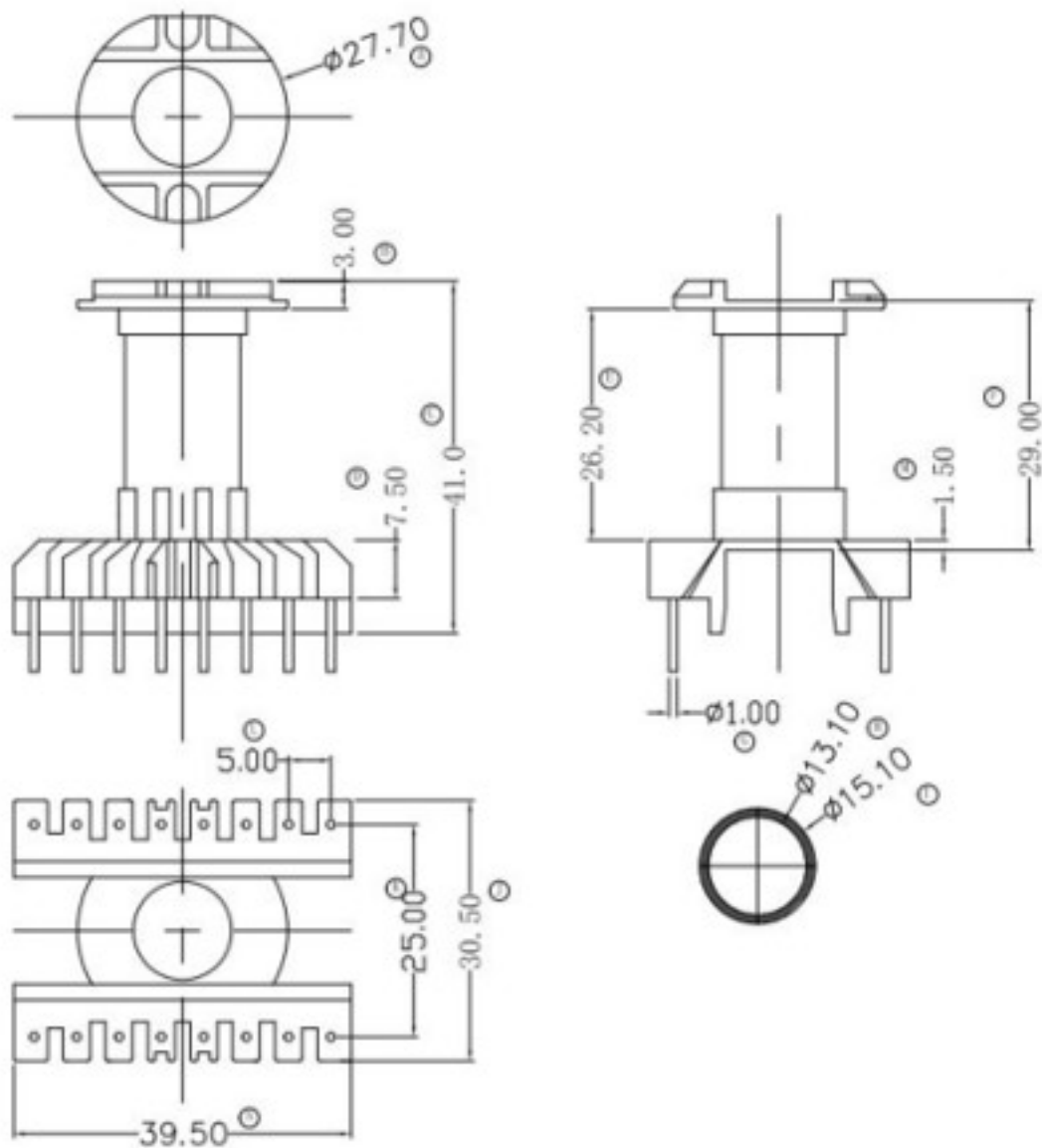
MM

DATE

2014.10.10

(TYPE)

006010391161001



**Self  
Electronic**

MODEL

EC39/42

8+8

MATERIAL

PHENOLIC

TEL

021-66745473  
021-66716806

TOLERANCE

SCALE

DRAW BY

FAX

021-66742368

 $0 < L \leq 4 \quad \pm 0.1$   
 $4 < L \leq 16 \quad \pm 0.2$   
 $16 < L \leq 63 \quad \pm 0.3$ 

4/1

CHECK BY

WEBSITE

selfelectronic.com

Pin pitch  $\pm 0.2$ 

UNIT

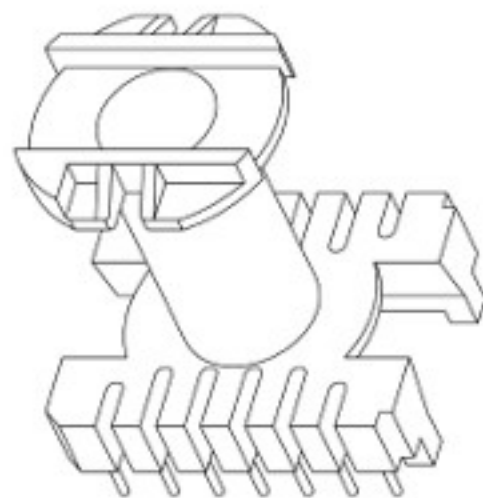
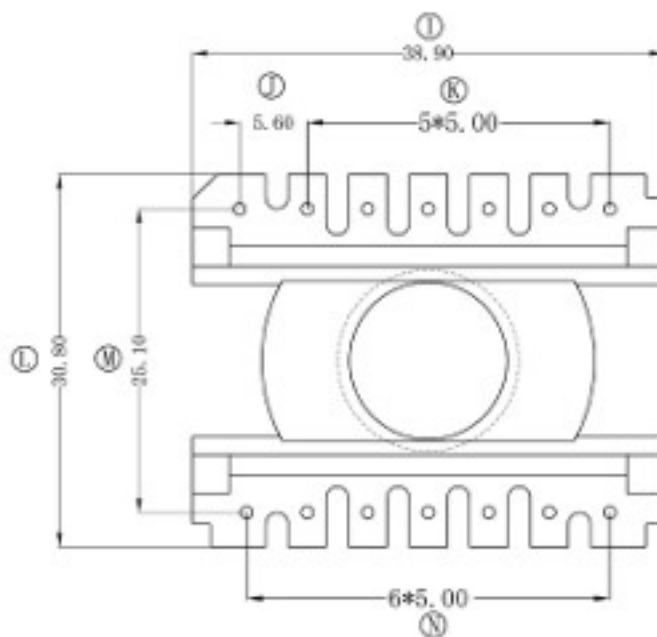
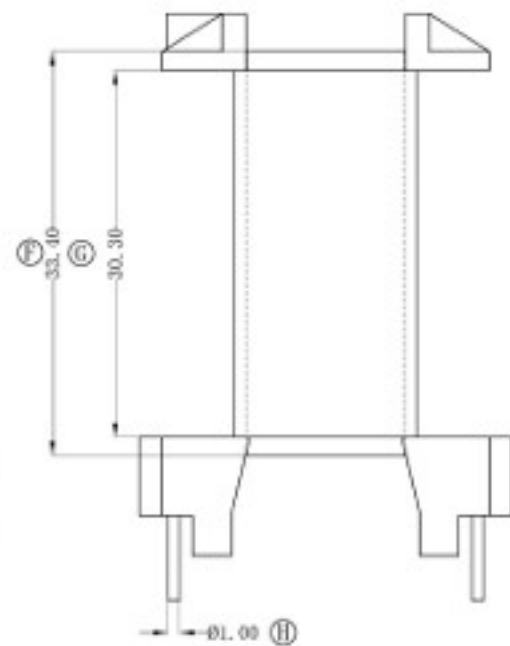
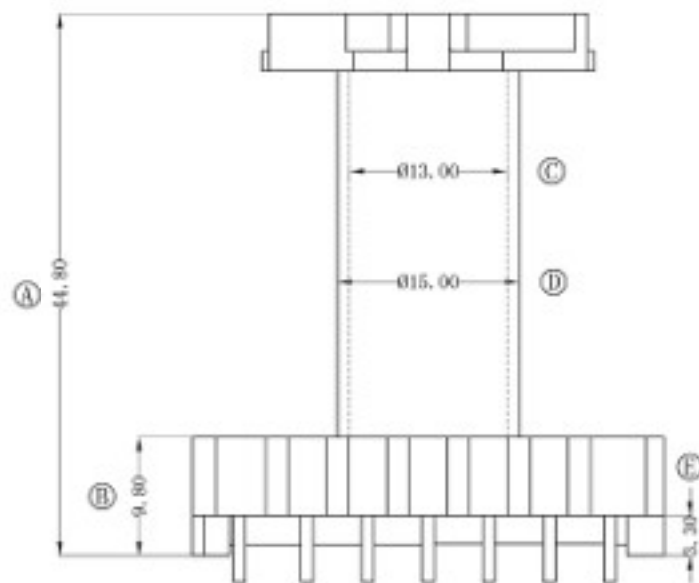
MM

DATE

2015.11.17

(TYPE)

006010391141001



**Self  
Electronic**

MODEL

EC39/45 7+7

MATERIAL

PHENOLIC

TEL

021-66745473  
021-66716806

TOLERANCE

SCALE

DRAW BY

FAX

021-66742368

0 < L ≤ 4 ±0.1  
4 < L ≤ 16 ±0.2  
16 < L ≤ 63 ±0.3  
Pin pitch ±0.2

4/1

CHECK BY

WEBSITE

selfelectronic.com

UNIT

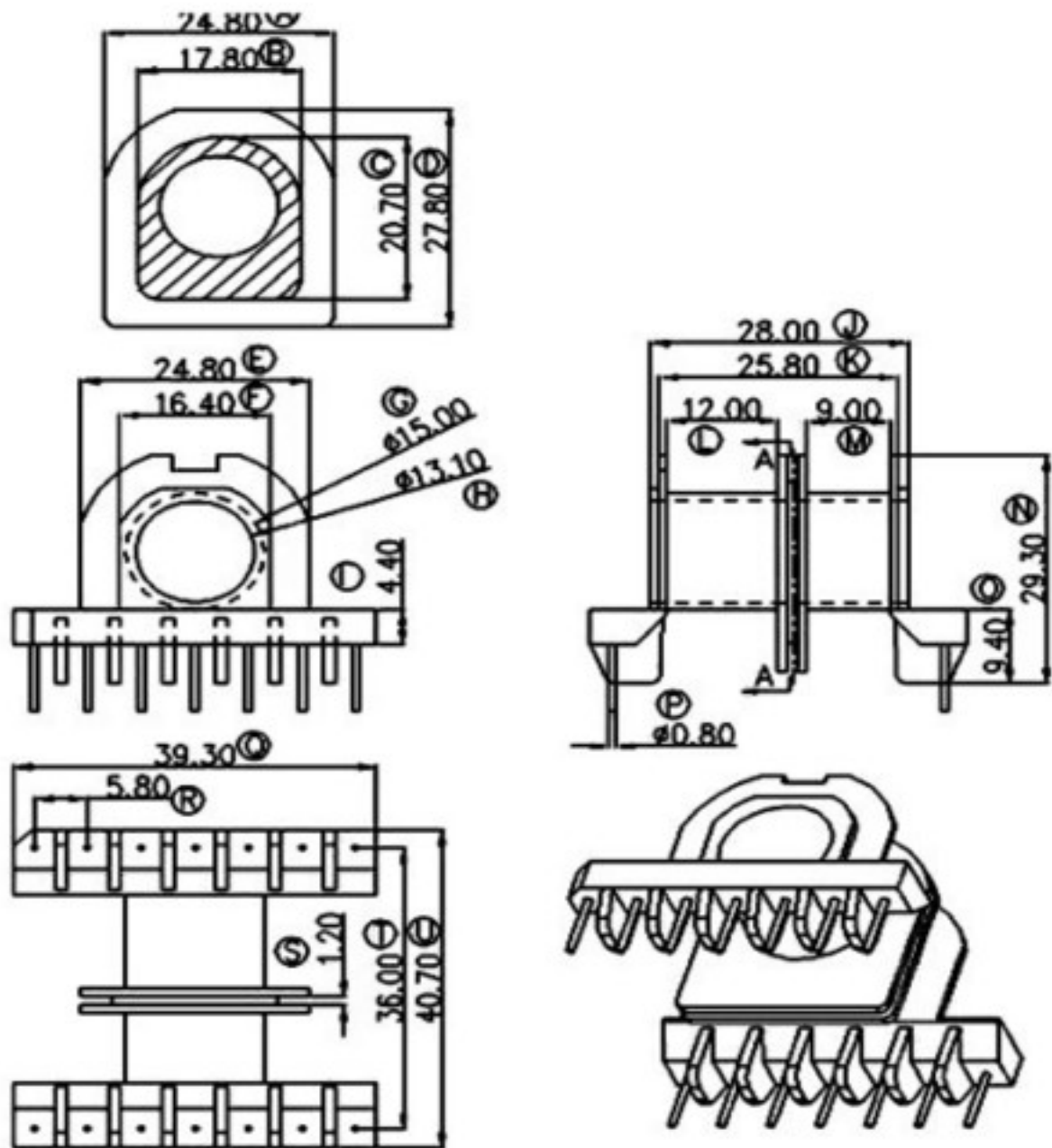
MM

DATE

2014.10.10

(TYPE)

010010392142003



**Self  
Electronic**

MODEL

EC39/40

7+7

MATERIAL

PHENOLIC

TEL

021-66745473  
021-66716806

TOLERANCE

SCALE

DRAW BY

FAX

021-66742368

 $0 < L \leq 4 \quad \pm 0.1$   
 $4 < L \leq 16 \quad \pm 0.2$   
 $16 < L \leq 63 \quad \pm 0.3$   
 Pin pitch  $\pm 0.2$ 

4/1

CHECK BY

WEBSITE

selfelectronic.com

UNIT

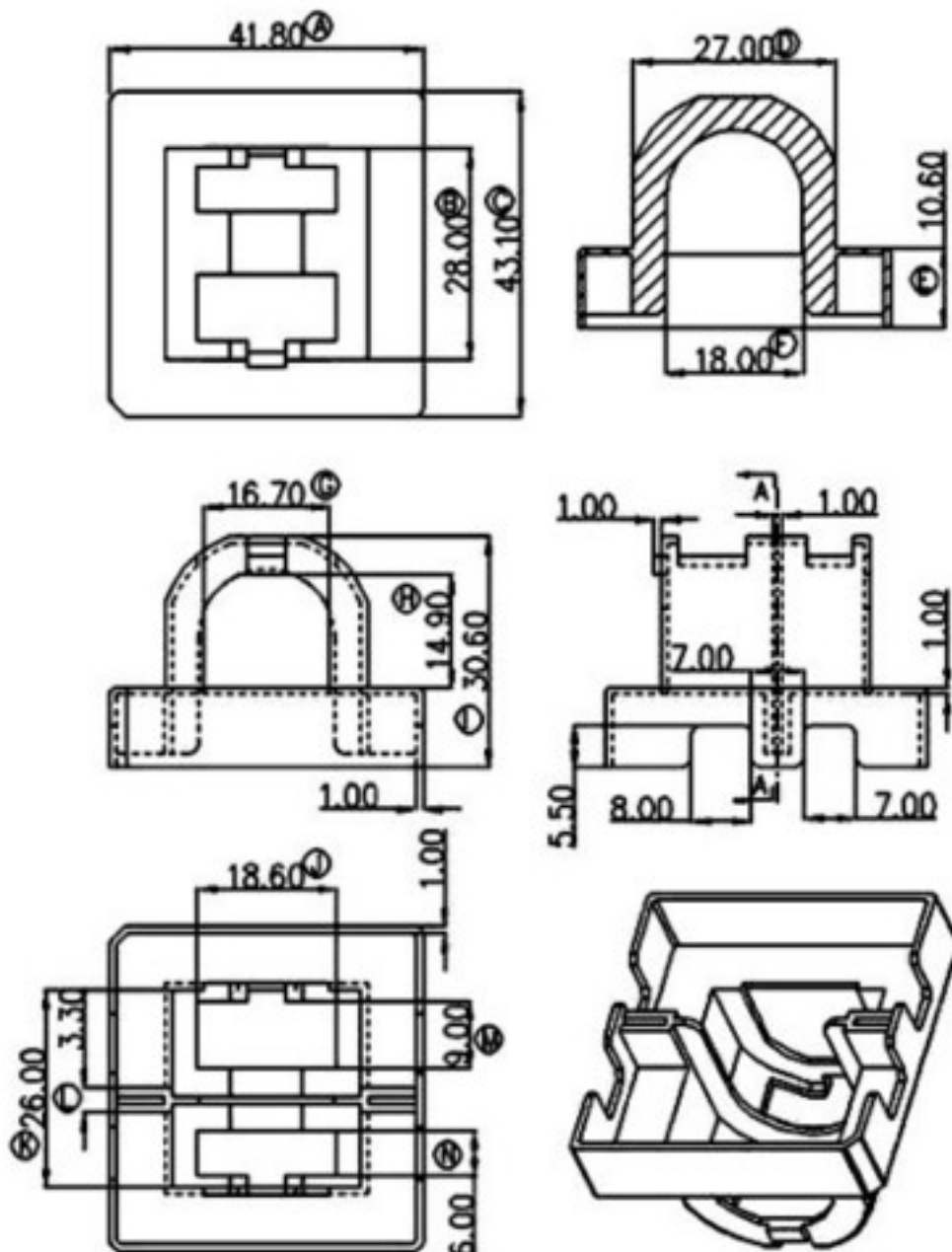
MM

DATE

2014.10.10

(TYPE)

010010392142004



**Self  
Electronic**

MODEL

EC39/40

MATERIAL

PHENOLIC

TEL

021-66745473  
021-66716806

TOLERANCE

SCALE

DRAW BY

FAX

021-66742368

0 < L ≤ 4 ±0.1  
4 < L ≤ 16 ±0.2

4/1

CHECK BY

WEBSITE

selfelectronic.com

16 < L ≤ 63 ±0.3  
Pin pitch ±0.2

UNIT

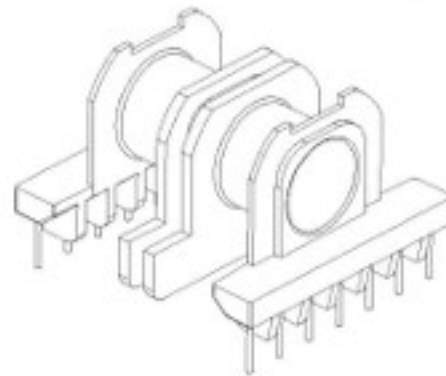
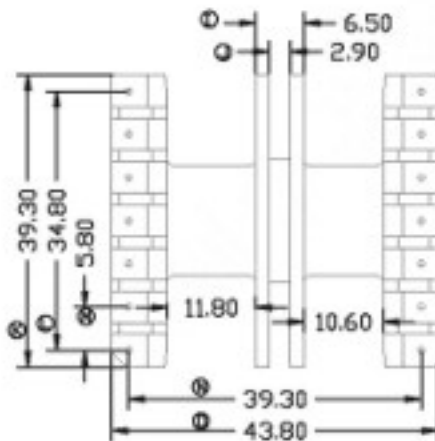
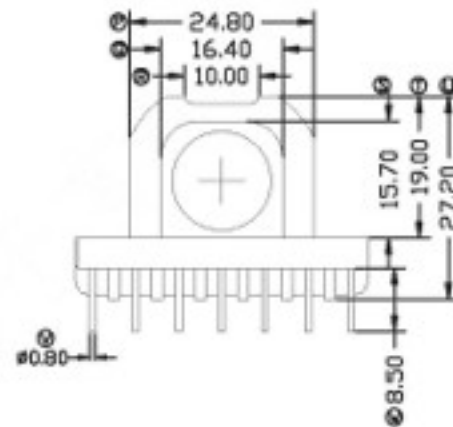
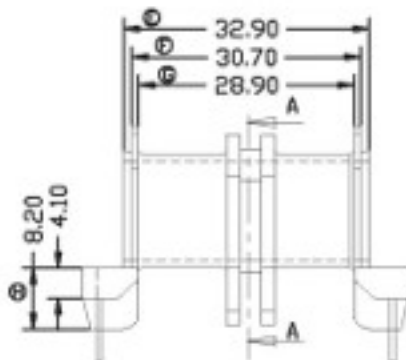
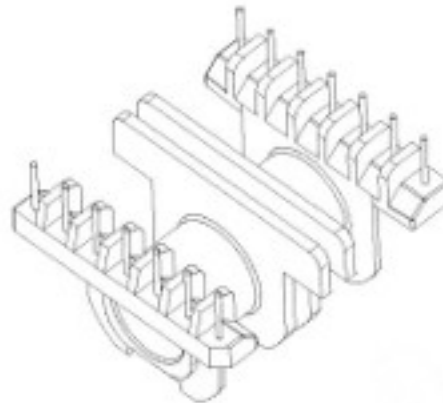
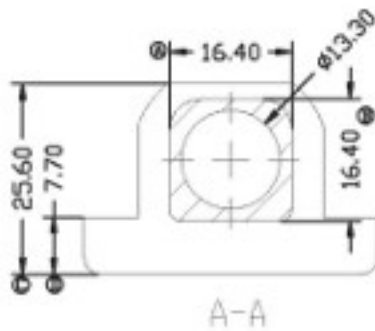
MM

DATE

2014.10.10

(TYPE)

06401039214001



**Self  
Electronic**

MODEL

EC39/45

7+7

MATERIAL

PHENOLIC

TEL

021-66745473  
021-66716806

TOLERANCE

SCALE

DRAW BY

FAX

021-66742368

0 < L ≤ 4 ±0.1  
4 < L ≤ 16 ±0.2  
16 < L ≤ 63 ±0.3  
Pin pitch ±0.2

4/1

CHECK BY

WEBSITE

selfelectronic.com

UNIT

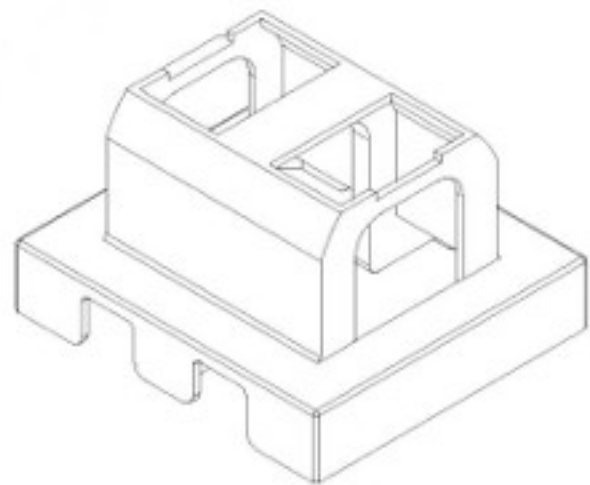
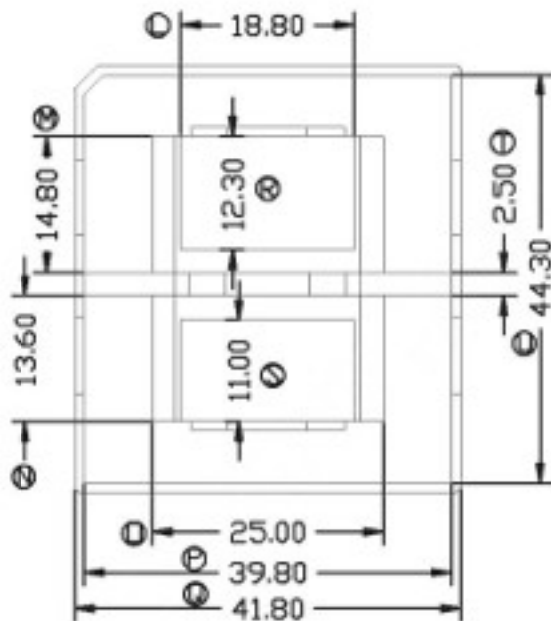
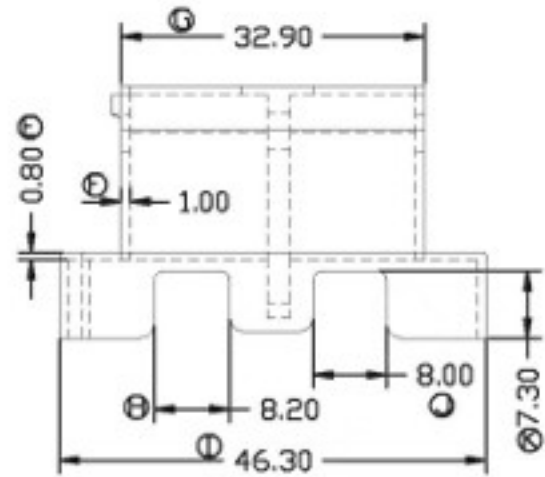
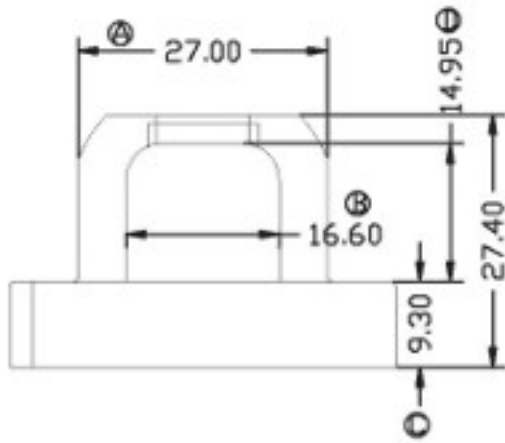
MM

DATE

2014.10.10

(TYPE)

06401039214001



**Self  
Electronic**

MODEL

EC39/45

MATERIAL

PHENOLIC

TEL

021-66745473  
021-66716806

TOLERANCE

SCALE

DRAW BY

FAX

021-66742368

0 < L ≤ 4 ±0.1  
4 < L ≤ 16 ±0.2  
16 < L ≤ 63 ±0.3  
Pin pitch ±0.2

4/1

CHECK BY

WEBSITE

selfelectronic.com

UNIT

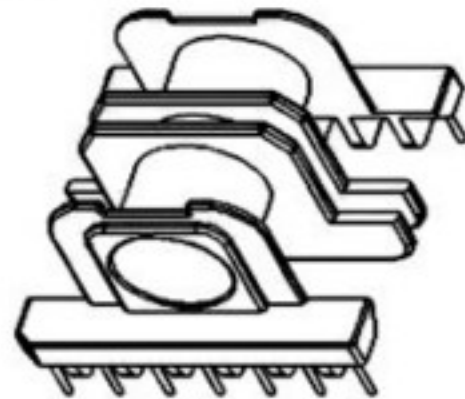
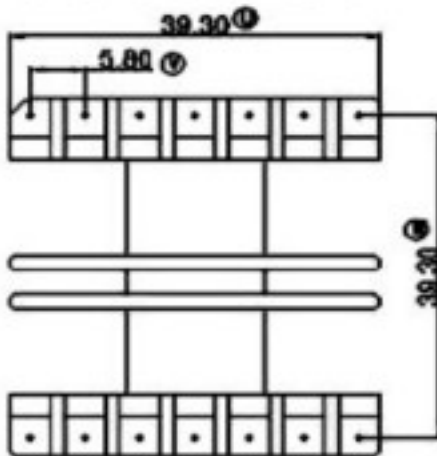
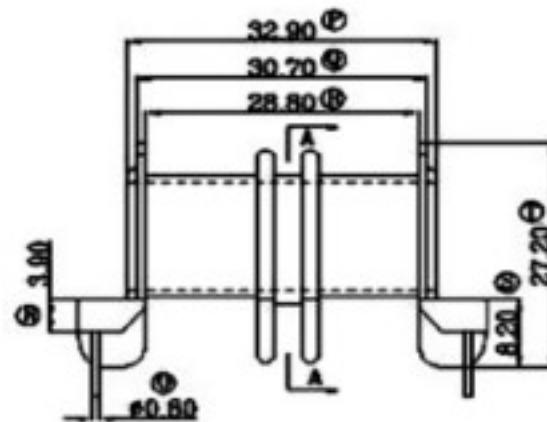
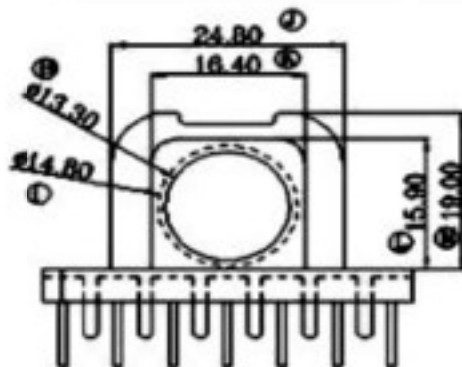
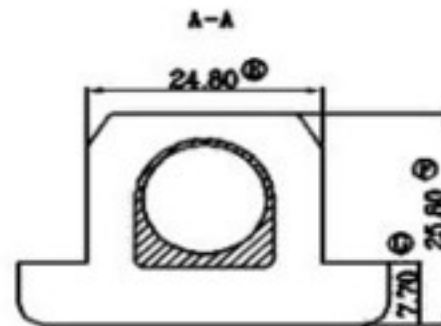
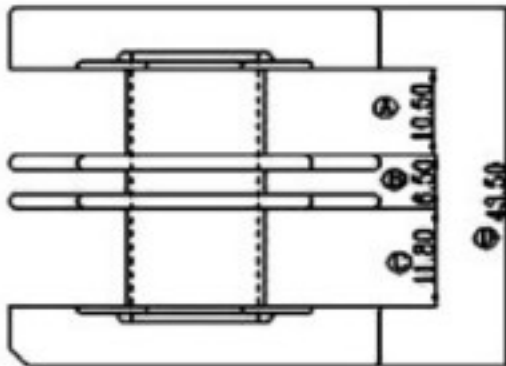
MM

DATE

2014.10.10

(TYPE)

010010392142002



### Self Electronic

MODEL

EC39/45

7+7

MATERIAL

PHENOLIC

TEL

021-66745473  
021-66716806

TOLERANCE

SCALE

DRAW BY

FAX

021-66742368

0 &lt; L ≤ 4 ±0.1

4 &lt; L ≤ 16 ±0.2

16 &lt; L ≤ 63 ±0.3

Pin pitch ±0.2

4/1

CHECK BY

WEBSITE

selfelectronic.com

UNIT

MM

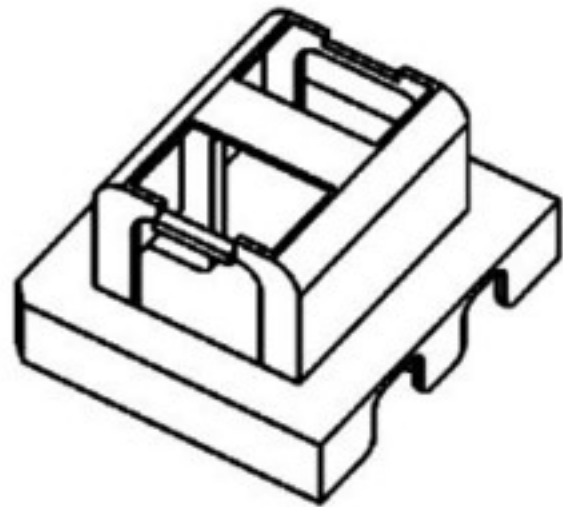
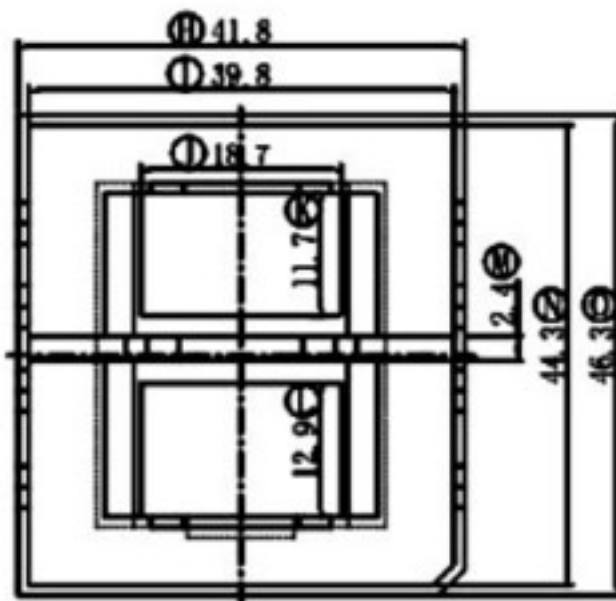
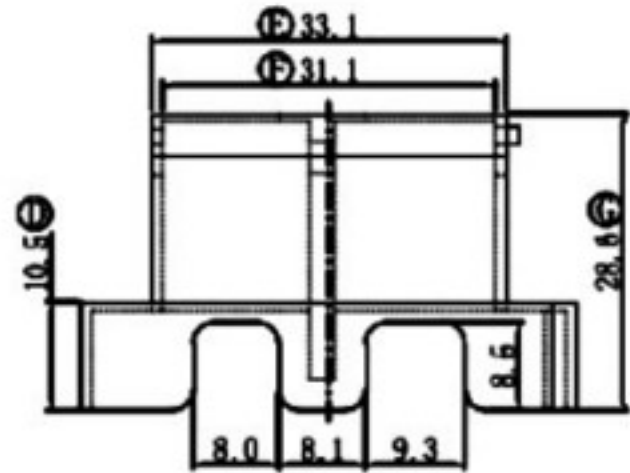
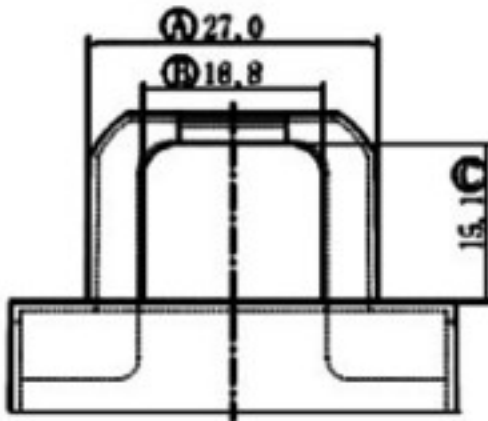
DATE

2014.10.10



(TYPE)

010010392142001



**Self  
Electronic**

MODEL

EC39/45

MATERIAL

PHENOLIC

TEL

021-66745473  
021-66716806

TOLERANCE

SCALE

DRAW BY

FAX

021-66742368

 $0 < L \leq 4 \quad \pm 0.1$   
 $4 < L \leq 16 \quad \pm 0.2$   
 $16 < L \leq 63 \quad \pm 0.3$   
 Pin pitch  $\pm 0.2$ 

4/1

CHECK BY

WEBSITE

selfelectronic.com

UNIT

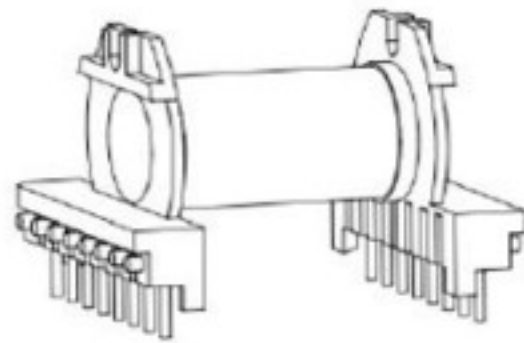
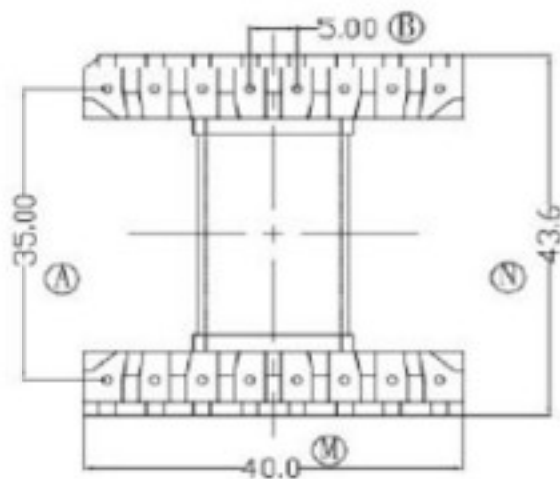
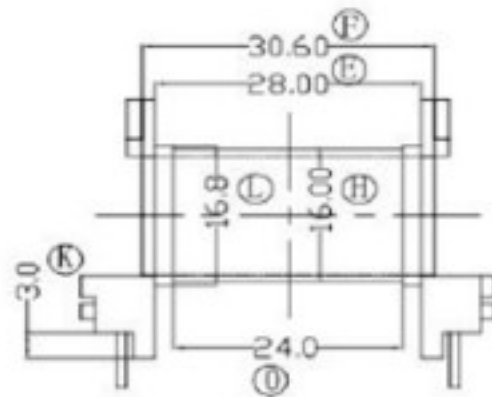
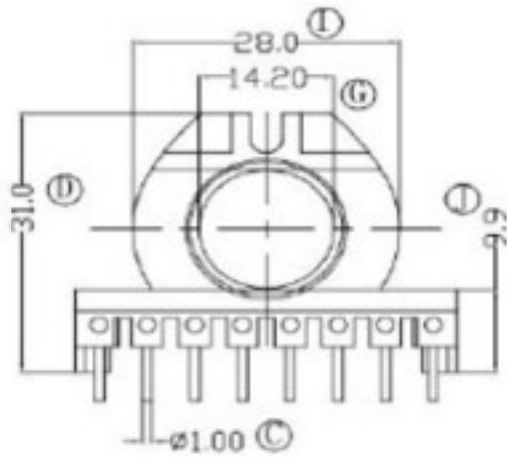
MM

DATE

2014.10.10

(TYPE)

005010402161101



**Self  
Electronic**

MODEL

EC40/23/13

8+8

MATERIAL

PHENOLIC

TEL

021-66745473  
021-66716806

TOLERANCE

SCALE

DRAW BY

FAX

021-66742368

 $0 < L \leq 4 \quad \pm 0.1$   
 $4 < L \leq 16 \quad \pm 0.2$ 

4/1

CHECK BY

WEBSITE

selfelectronic.com

 $16 < L \leq 63 \quad \pm 0.3$   
 Pin pitch  $\pm 0.2$ 

UNIT

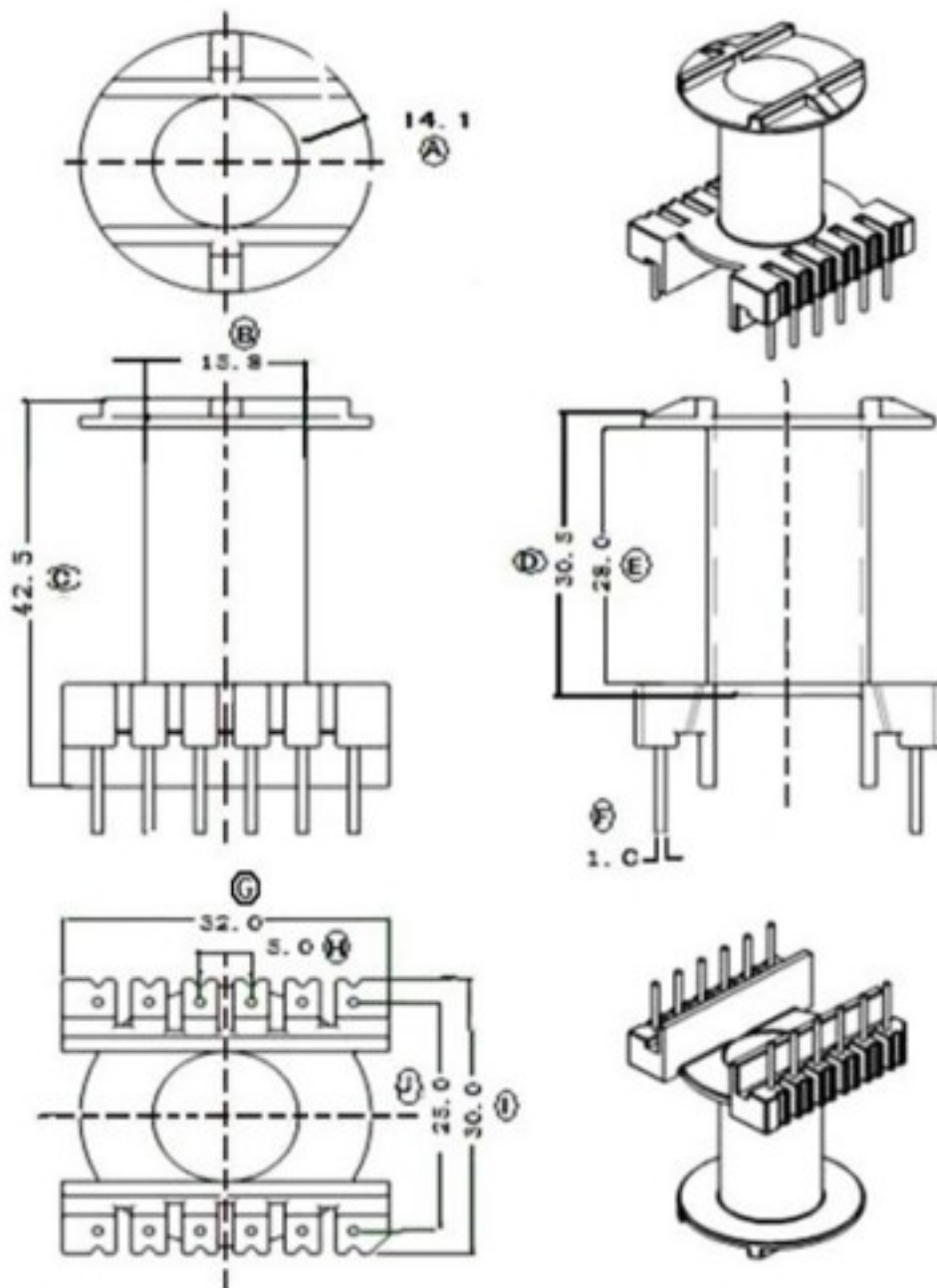
MM

DATE

2014.10.18

(TYPE)

010010401121001



### Self Electronic

MODEL

EC40/23/13

6+6

MATERIAL

PHENOLIC

TEL

021-66745473  
021-66716806

TOLERANCE

SCALE

DRAW BY

FAX

021-66742368

 $0 < L \leq 4 \quad \pm 0.1$   
 $4 < L \leq 16 \quad \pm 0.2$ 

4/1

CHECK BY

WEBSITE

selfelectronic.com

 $16 < L \leq 63 \quad \pm 0.3$   
 Pin pitch  $\pm 0.2$ 

UNIT

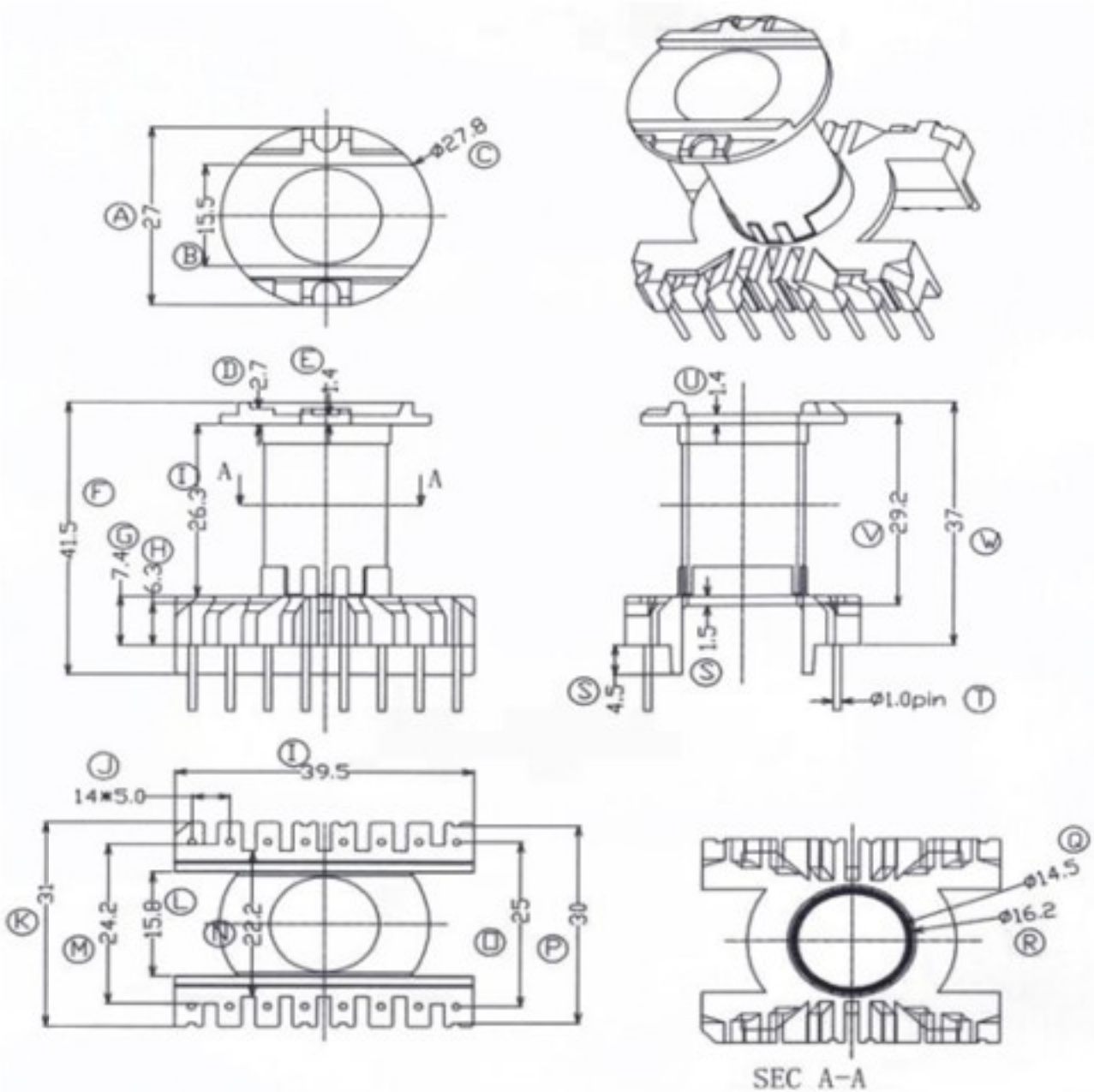
MM

DATE

2014.10.18

(TYPE)

010010401161001



**Self  
Electronic**

MODEL

EC40/23/13

8+8

MATERIAL

PHENOLIC

TEL

021-66745473  
021-66716806

TOLERANCE

SCALE

DRAW BY

FAX

021-66742368

 $0 < L \leq 4 \quad \pm 0.1$   
 $4 < L \leq 16 \quad \pm 0.2$   
 $16 < L \leq 63 \quad \pm 0.3$ 

4/1

CHECK BY

WEBSITE

selfelectronic.com

Pin pitch  $\pm 0.2$ 

UNIT

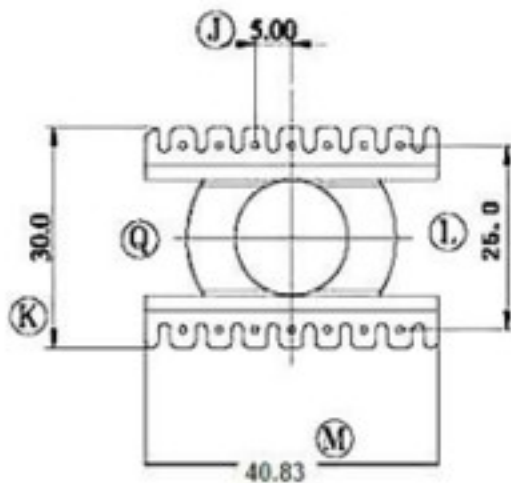
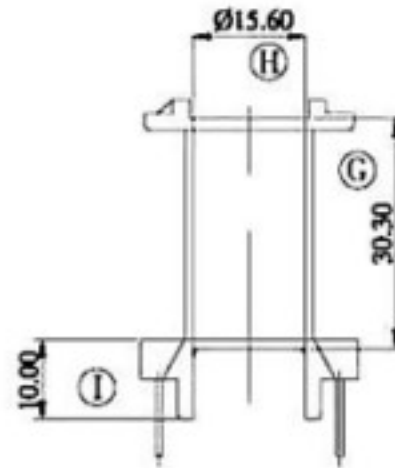
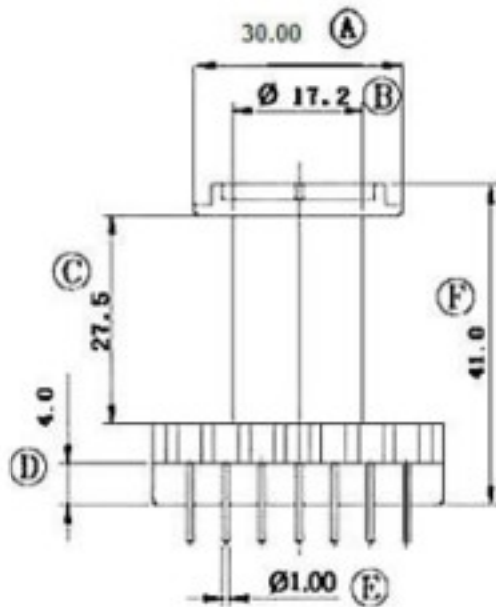
MM

DATE

2014.10.18

(TYPE)

001010421141001



### Self Electronic

MODEL

EC42/22/15

7+7

MATERIAL

PHENOLIC

TEL

021-66745473  
021-66716806

TOLERANCE

SCALE

DRAW BY

FAX

021-66742368

 $0 < L \leq 4 \quad \pm 0.1$   
 $4 < L \leq 16 \quad \pm 0.2$ 

4/1

CHECK BY

WEBSITE

selfelectronic.com

 $16 < L \leq 63 \quad \pm 0.3$   
 Pin pitch  $\pm 0.2$ 

UNIT

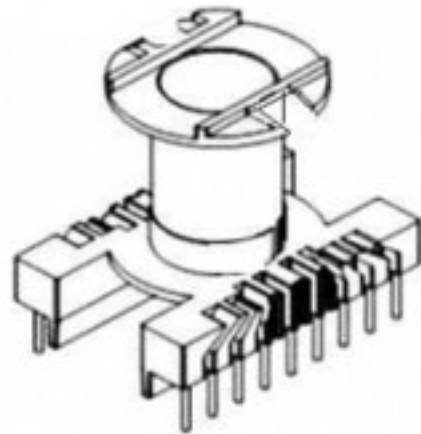
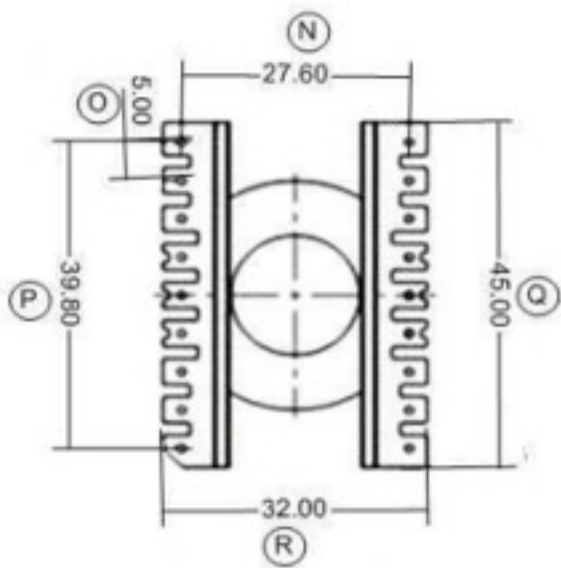
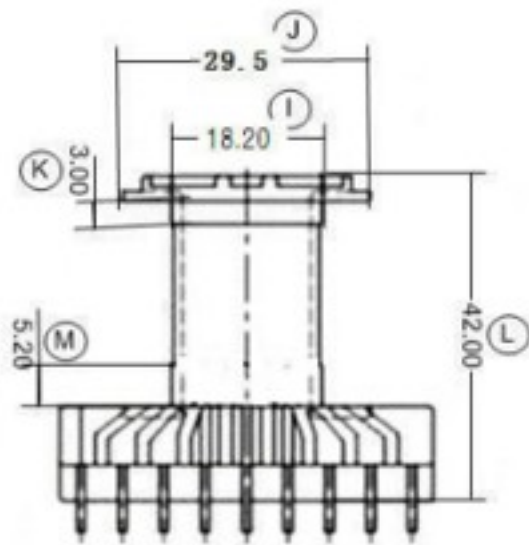
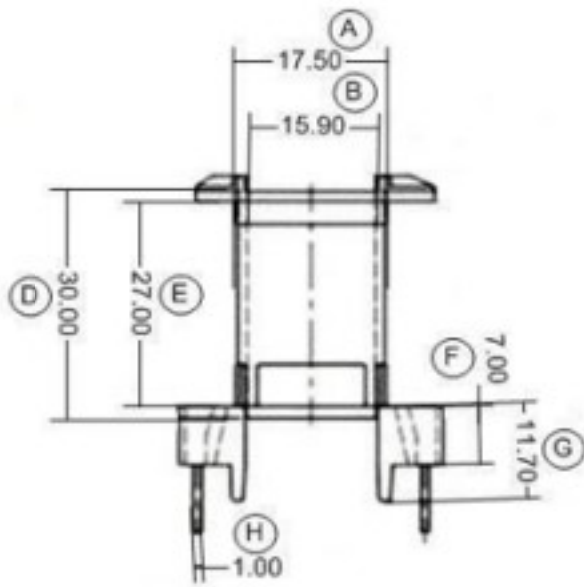
MM

DATE

2014.10.18

(TYPE)

005010421181001



**Self  
Electronic**

MODEL

EC42/22/15

9+9

MATERIAL

PHENOLIC

TEL

021-66745473  
021-66716806

TOLERANCE

SCALE

DRAW BY

FAX

021-66742368

 $0 < L \leq 4 \quad \pm 0.1$   
 $4 < L \leq 16 \quad \pm 0.2$ 

4/1

CHECK BY

WEBSITE

selfelectronic.com

 $16 < L \leq 63 \quad \pm 0.3$   
 Pin pitch  $\pm 0.2$ 

UNIT

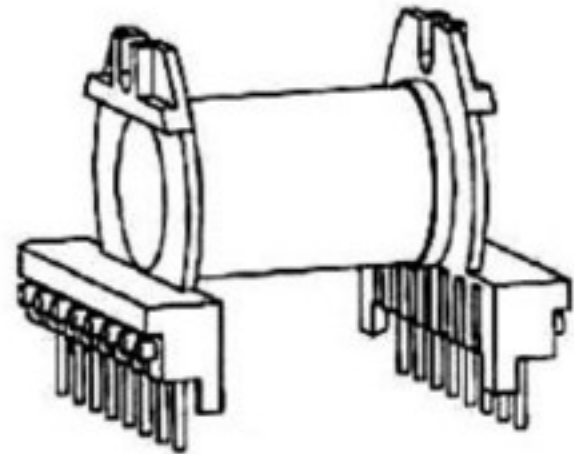
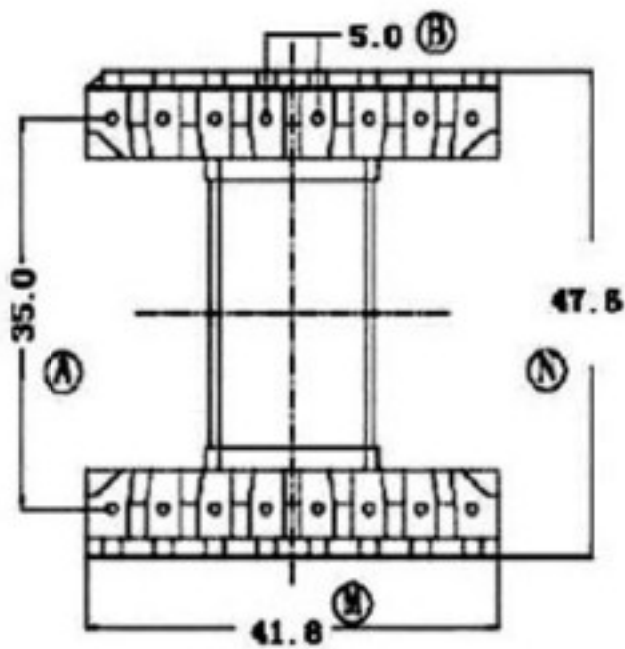
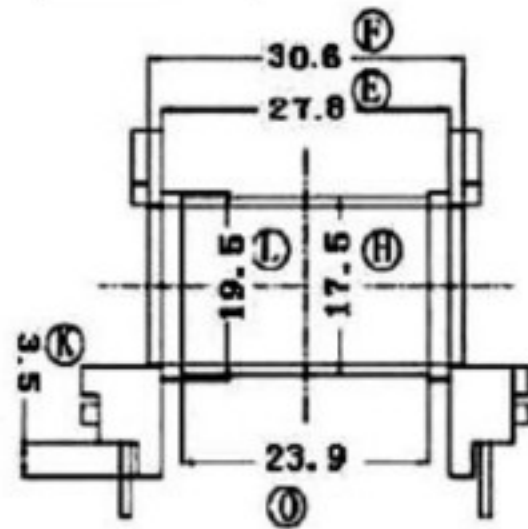
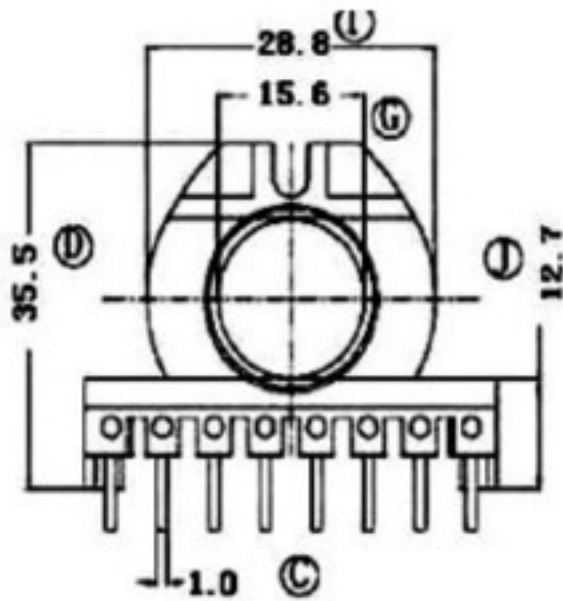
MM

DATE

2014.10.18

(TYPE)

005010422161001



**Self  
Electronic**

MODEL

EC42/22/15

8+8

MATERIAL

PHENOLIC

TEL

021-66745473  
021-66716806

TOLERANCE

SCALE

DRAW BY

FAX

021-66742368

 $0 < L \leq 4 \quad \pm 0.1$   
 $4 < L \leq 16 \quad \pm 0.2$ 

4/1

CHECK BY

WEBSITE

selfelectronic.com

 $16 < L \leq 63 \quad \pm 0.3$   
 Pin pitch  $\pm 0.2$ 

UNIT

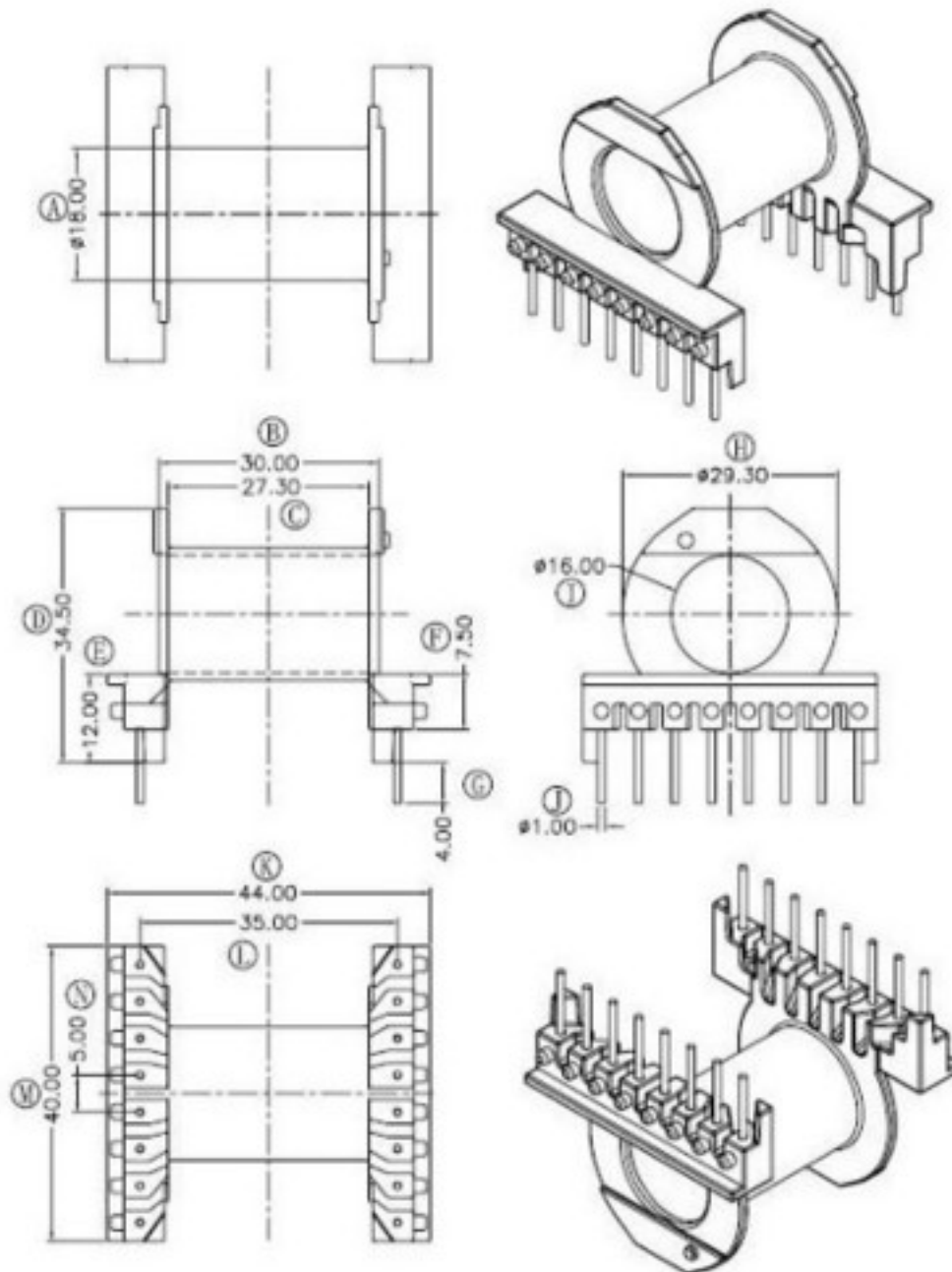
MM

DATE

2014.10.18

(TYPE)

010010422161002



**Self  
Electronic**

MODEL

EC42/22/15

8+8

MATERIAL

PHENOLIC

TEL

021-66745473  
021-66716806

TOLERANCE

SCALE

DRAW BY

FAX

021-66742368

0 &lt; L ≤ 4 ±0.1

4 &lt; L ≤ 16 ±0.2

16 &lt; L ≤ 63 ±0.3

Pin pitch ±0.2

4/1

CHECK BY

WEBSITE

selfelectronic.com

UNIT

MM

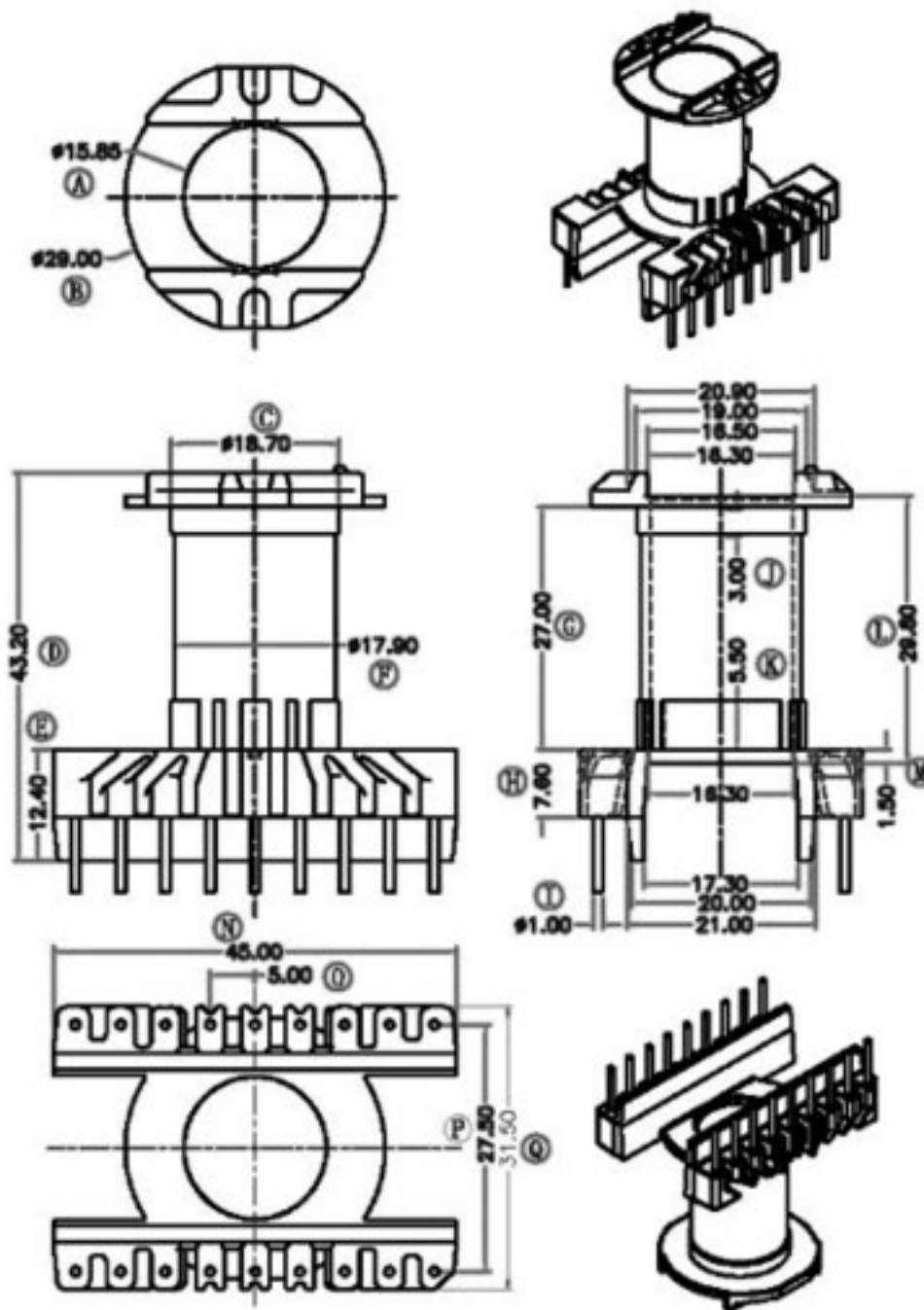
DATE

2014.10.18



(TYPE)

010010421181001



**Self  
Electronic**

MODEL

EC42/22/15 9+9  
27.5mm

MATERIAL

PHENOLIC

TEL

021-66745473  
021-66716806

TOLERANCE

SCALE

DRAW BY

FAX

021-66742368

$0 < L \leq 4$   $\pm 0.1$   
 $4 < L \leq 16$   $\pm 0.2$

4/1

CHECK BY

WEBSITE

selfelectronic.com

$16 < L \leq 63$   $\pm 0.3$   
Pin pitch  $\pm 0.2$

UNIT

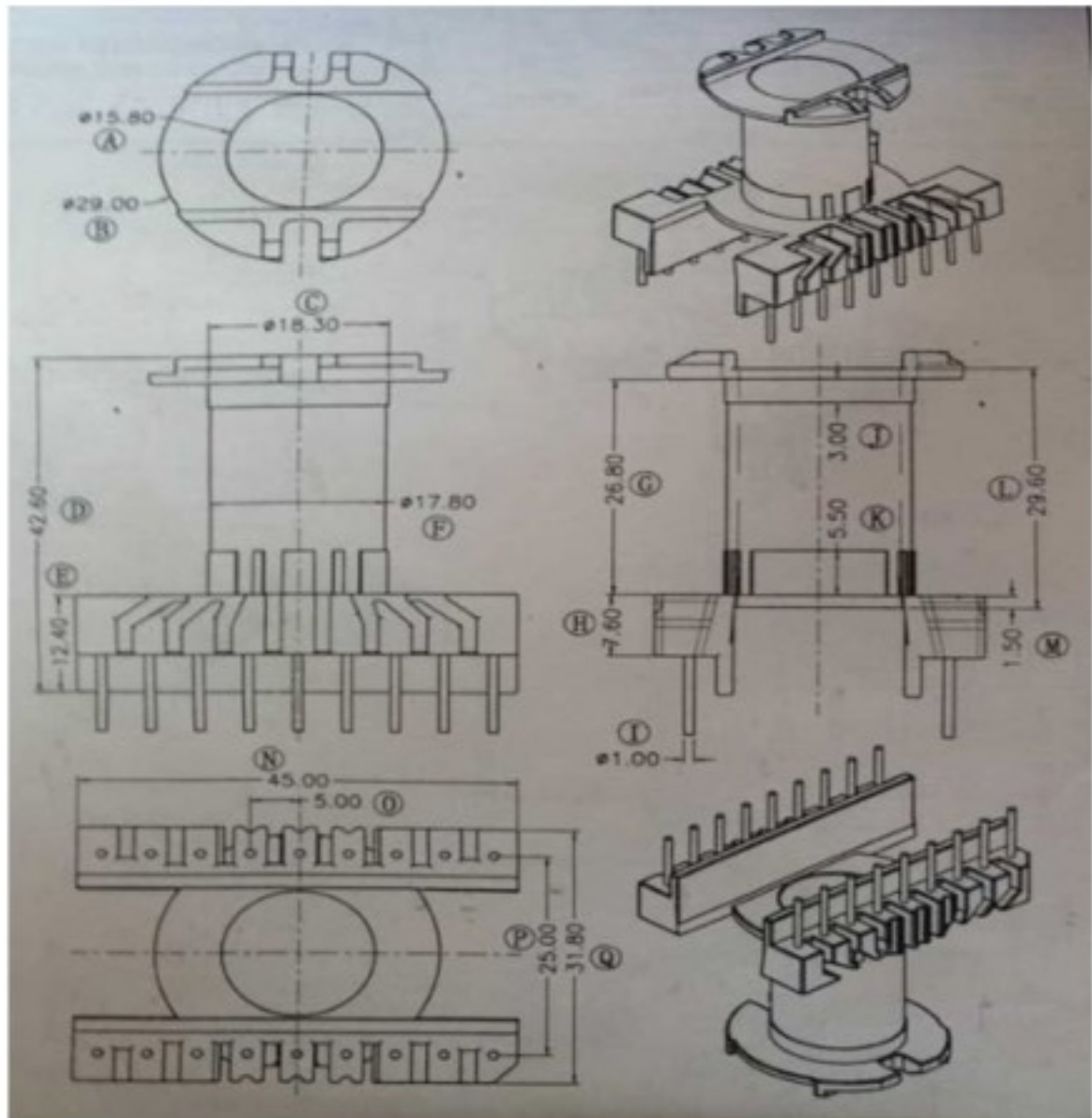
MM

DATE

2014.10.18

(TYPE)

010010421181003



**Self  
Electronic**

MODEL

EC42/22/15 9+9  
25mm

MATERIAL

PHENOLIC

TEL

021-66745473  
021-66716806

TOLERANCE

SCALE

DRAW BY

FAX

021-66742368

0 &lt; L ≤ 4 ±0.1

4 &lt; L ≤ 16 ±0.2

16 &lt; L ≤ 63 ±0.3

Pin pitch ±0.2

4/1

CHECK BY

WEBSITE

selfelectronic.com

UNIT

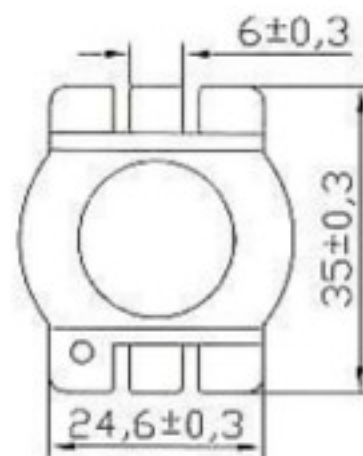
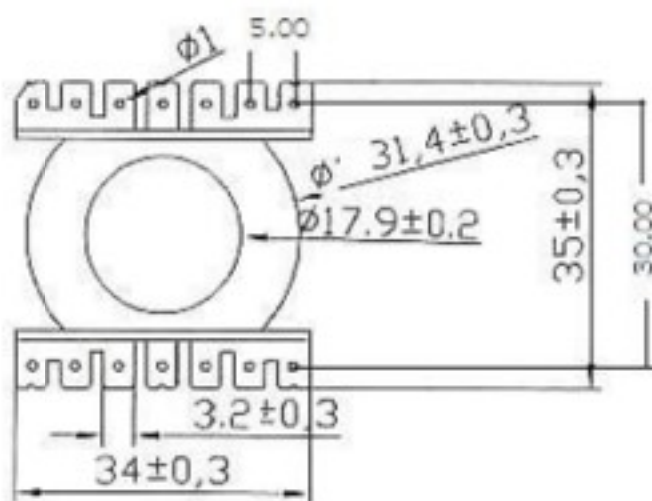
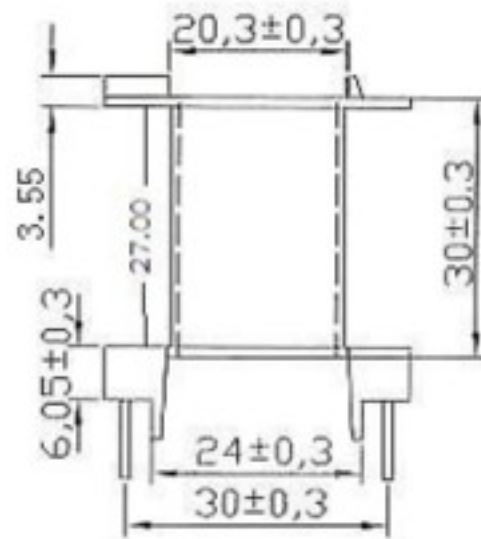
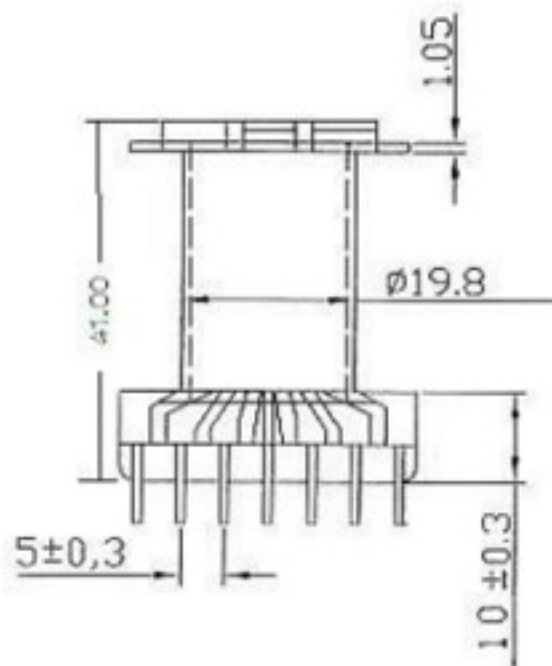
MM

DATE

2015.11.17

(TYPE)

010010421141001



**Self  
Electronic**

MODEL

EC42/22/2

7+7

MATERIAL

PHENOLIC

TEL

021-66745473  
021-66716806

TOLERANCE

SCALE

DRAW BY

FAX

021-66742368

0<math>L \leq 4</math>  $\pm 0.1$   
4<math>L \leq 16</math>  $\pm 0.2$ 

4/1

CHECK BY

WEBSITE

selfelectronic.com

16<math>L \leq 63</math>  $\pm 0.3$   
Pin pitch  $\pm 0.2$ 

UNIT

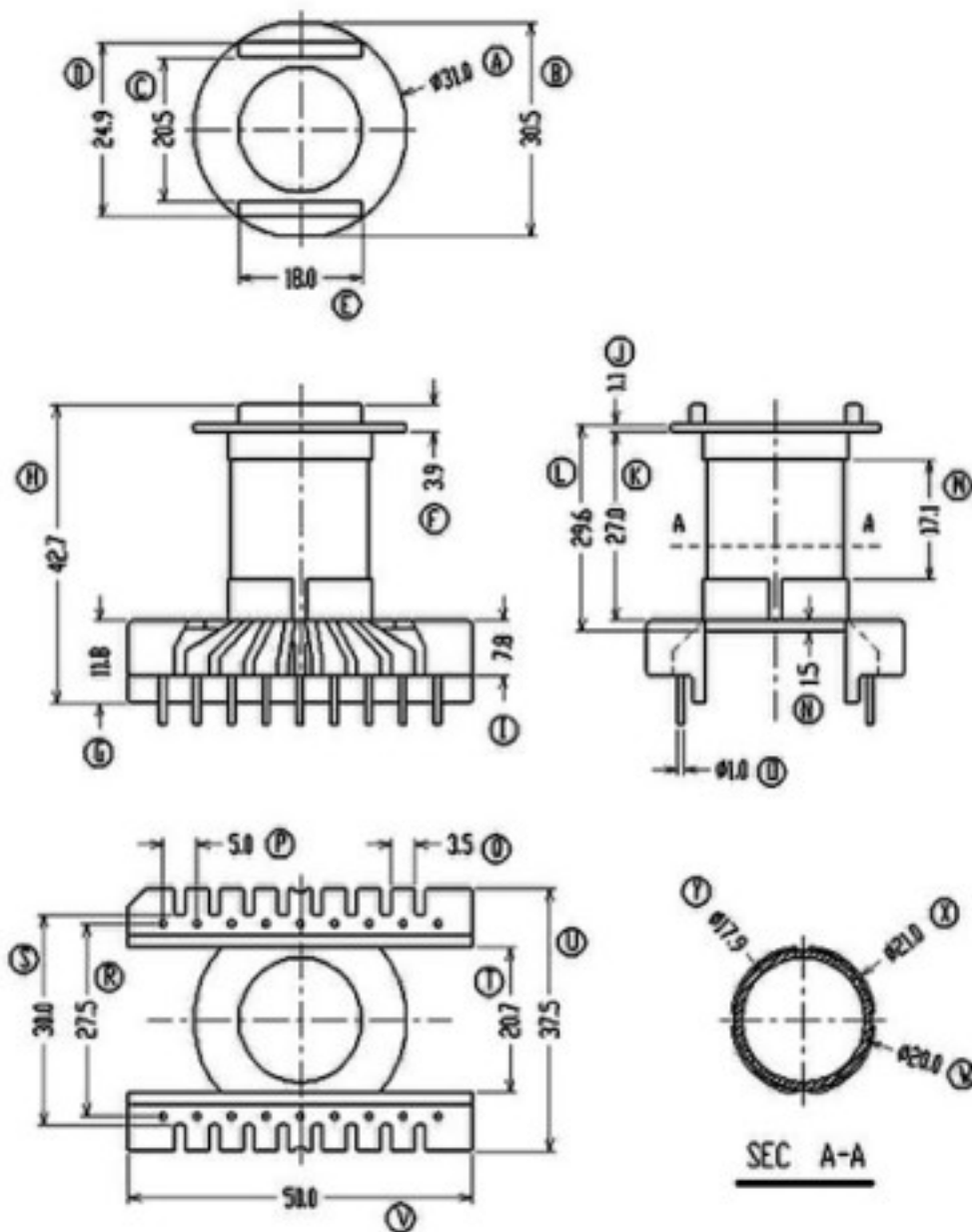
MM

DATE

2014.10.18

(TYPE)

010010421181002



**Self  
Electronic**

MODEL

EC42/22/20

9+9

MATERIAL

PHENOLIC

TEL

021-66745473  
021-66716806

TOLERANCE

SCALE

DRAW BY

FAX

021-66742368

 $0 < L \leq 4 \quad \pm 0.1$   
 $4 < L \leq 16 \quad \pm 0.2$   
 $16 < L \leq 63 \quad \pm 0.3$ 

4/1

CHECK BY

WEBSITE

selfelectronic.com

Pin pitch  $\pm 0.2$ 

UNIT

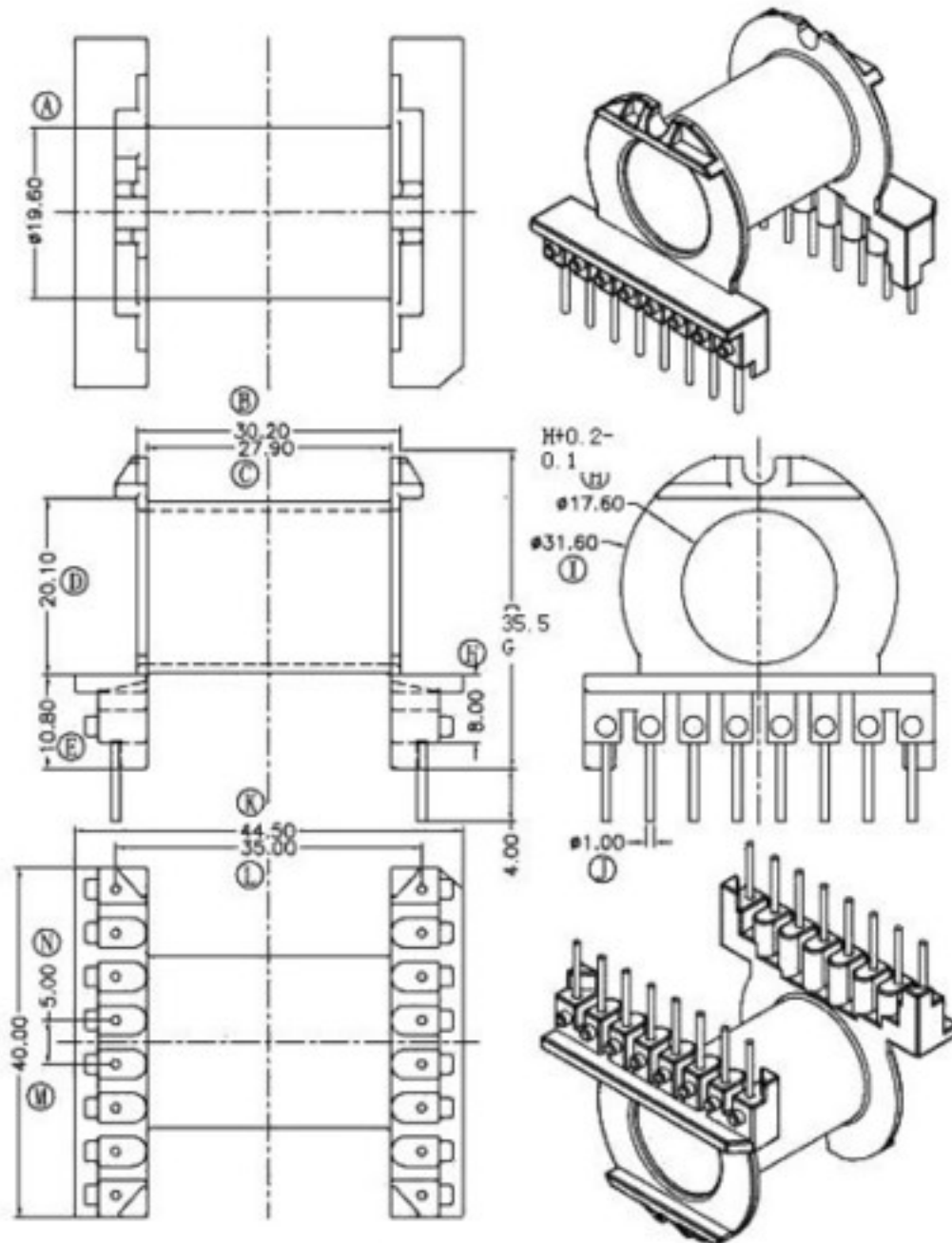
MM

DATE

2014.10.18

(TYPE)

010010422161001



**Self  
Electronic**

MODEL

EC42/22/20

8+8

MATERIAL

PHENOLIC

TEL

021-66745473  
021-66716806

TOLERANCE

SCALE

DRAW BY

FAX

021-66742368

 $0 < L \leq 4 \quad \pm 0.1$   
 $4 < L \leq 16 \quad \pm 0.2$ 

4/1

CHECK BY

WEBSITE

selfelectronic.com

 $16 < L \leq 63 \quad \pm 0.3$   
 Pin pitch  $\pm 0.2$ 

UNIT

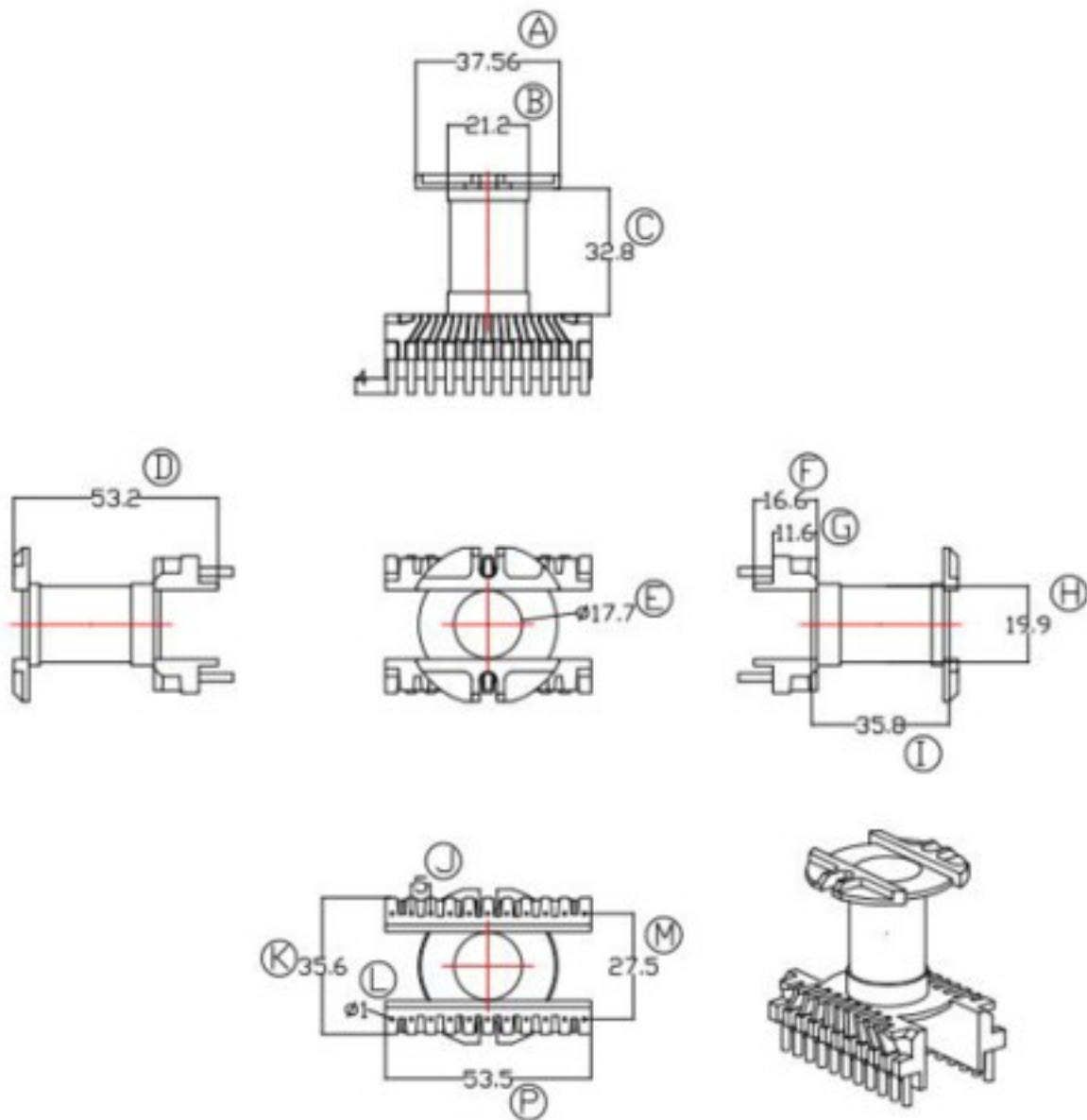
MM

DATE

2014.10.18

(TYPE)

031010491221001



**Self  
Electronic**

MODEL

EC49/25/16

11+11

MATERIAL

PHENOLIC

TEL

021-66745473  
021-66716806

TOLERANCE

SCALE

DRAW BY

FAX

021-66742368

 $0 < L \leq 4$   $\pm 0.1$  $4 < L \leq 16$   $\pm 0.2$  $16 < L \leq 63$   $\pm 0.3$ Pin pitch  $\pm 0.2$ 

4/1

CHECK BY

WEBSITE

selfelectronic.com

UNIT

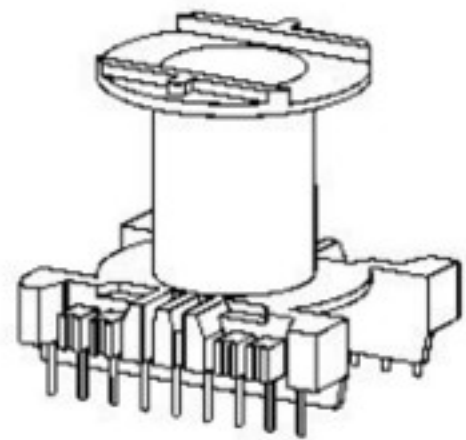
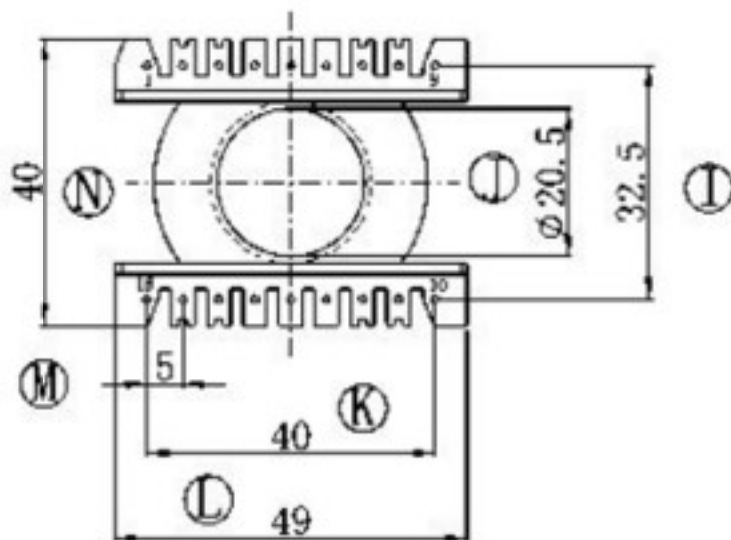
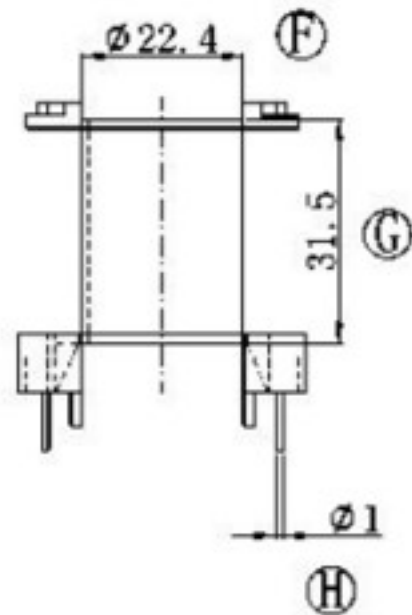
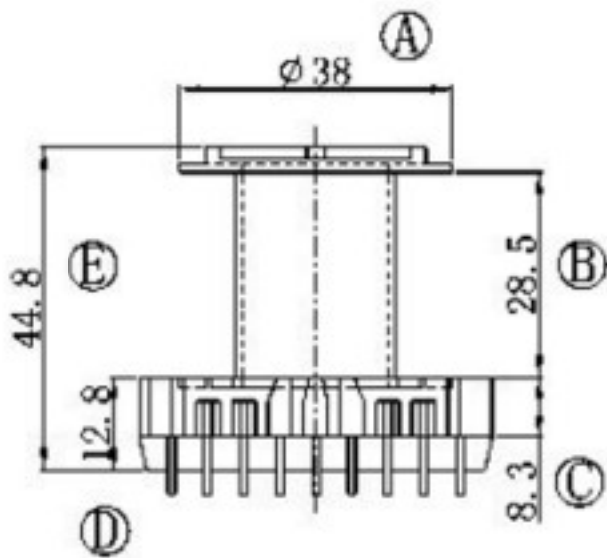
MM

DATE

2014.10.18

(TYPE)

010010531181001



**Self  
Electronic**

MODEL

EC53/23/21

9+9

MATERIAL

PHENOLIC

TEL

021-66745473  
021-66716806

TOLERANCE

SCALE

DRAW BY

FAX

021-66742368

 $0 < L \leq 4 \quad \pm 0.1$   
 $4 < L \leq 16 \quad \pm 0.2$ 

4/1

CHECK BY

WEBSITE

selfelectronic.com

 $16 < L \leq 63 \quad \pm 0.3$   
 Pin pitch  $\pm 0.2$ 

UNIT

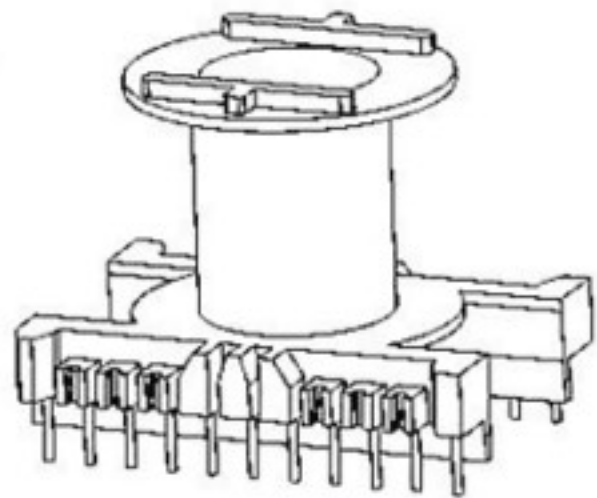
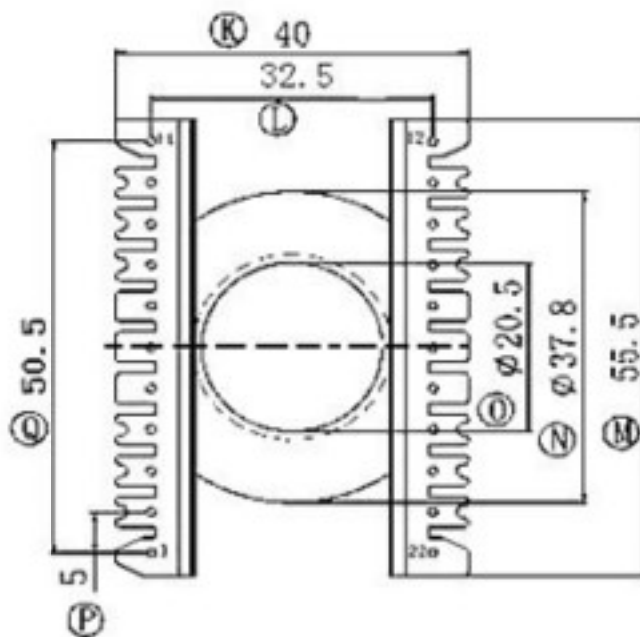
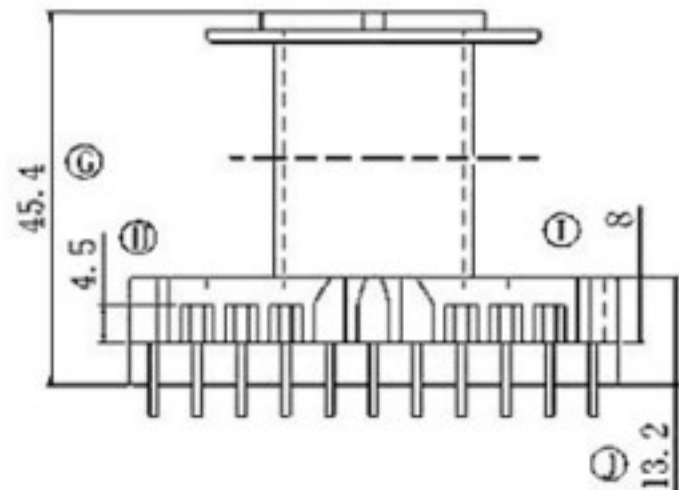
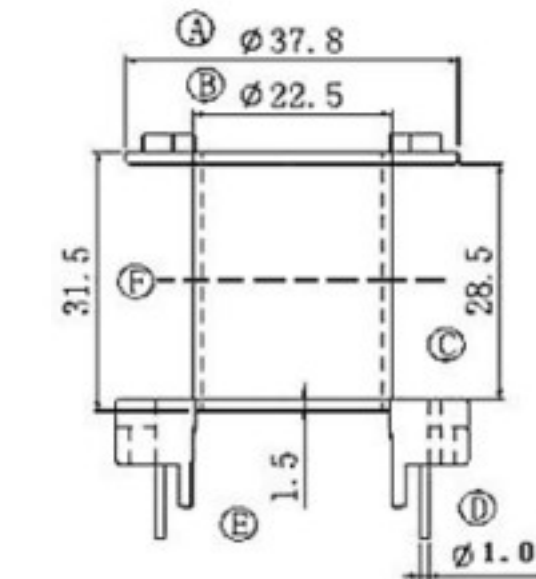
MM

DATE

2014.10.18

(TYPE)

010010531221001



**Self  
Electronic**

MODEL

EC53/23/21 11+11

MATERIAL

PHENOLIC

TEL

021-66745473  
021-66716806

TOLERANCE

SCALE

DRAW BY

FAX

021-66742368

 $0 < L \leq 4 \quad \pm 0.1$   
 $4 < L \leq 16 \quad \pm 0.2$ 

4/1

CHECK BY

WEBSITE

selfelectronic.com

 $16 < L \leq 63 \quad \pm 0.3$   
 Pin pitch  $\pm 0.2$ 

UNIT

MM

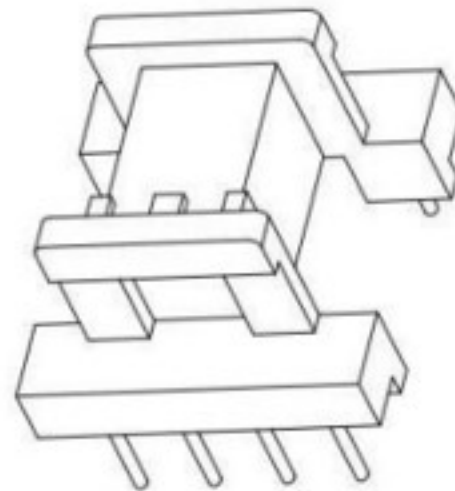
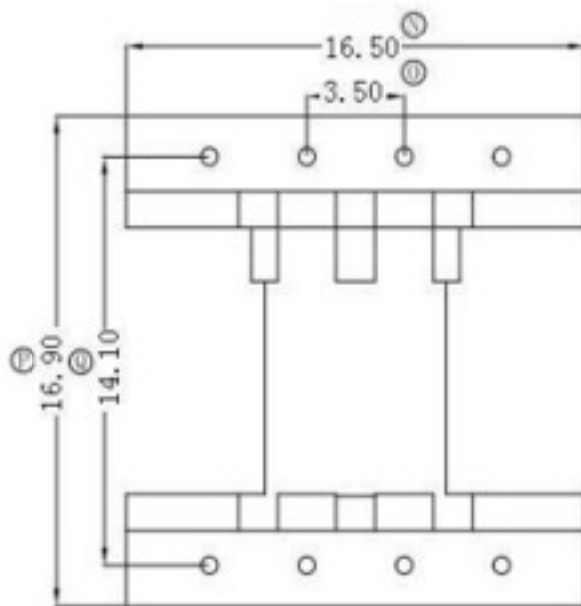
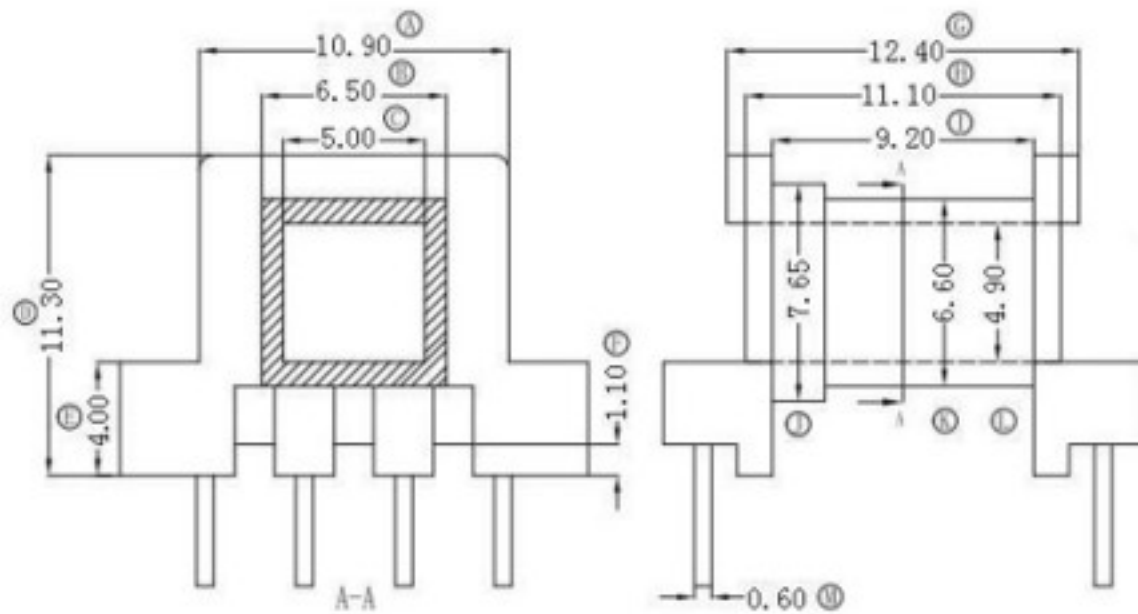
DATE

2014.10.18



(TYPE)

006070162081001



**Self  
Electronic**

MODEL

EF16/8/6

4+4

MATERIAL

PHENOLIC

TEL

021-66745473  
021-66716806

TOLERANCE

SCALE

DRAW BY

FA&gt;

021-66742368

0 < L ≤ 4 ±0.1  
4 < L ≤ 16 ±0.2

4/1

CHECK BY

WEBSITE

selfelectronic.com

16 < L ≤ 63 ±0.3  
Pin pitch ±0.2

UNIT

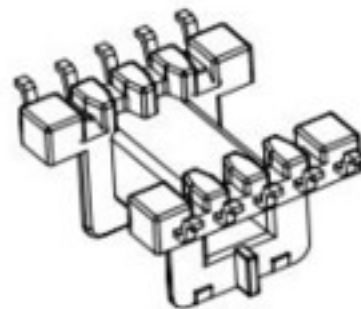
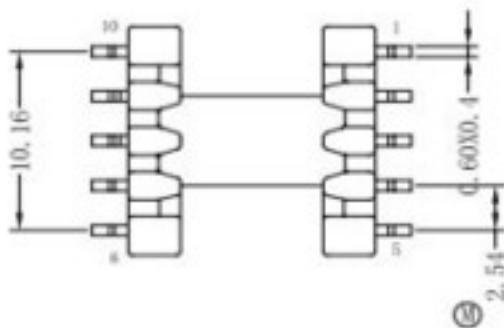
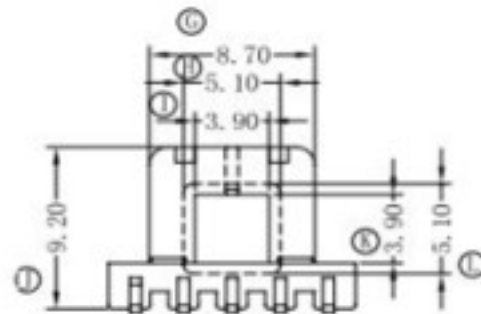
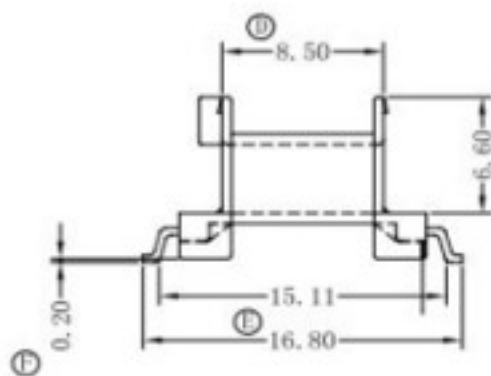
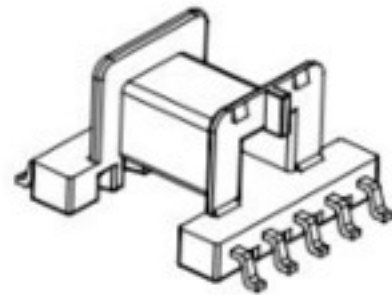
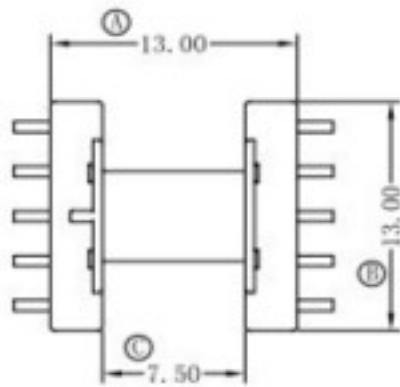
MM

DATE

2014.10.18

(TYPE)

010070052101001



**Self  
Electronic**

MODEL

EF12.6

5+5 SMD

NAME

MATERIAL

PM9630

TEL

021-66745473  
021-66716806

TOLERANCE

SCALE

DRAW BY

FAX

021-66742368

 $0 < L \leq 4 \quad \pm 0.1$   
 $4 < L \leq 16 \quad \pm 0.2$ 

4/1

CHECK BY |

WEBSITE

selfelectronic.com

 $16 < L \leq 63 \quad \pm 0.3$   
 Pin pitch  $\pm 0.2$ 

UNIT

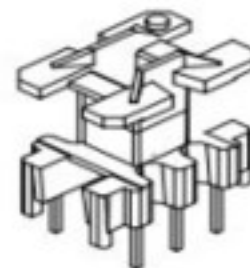
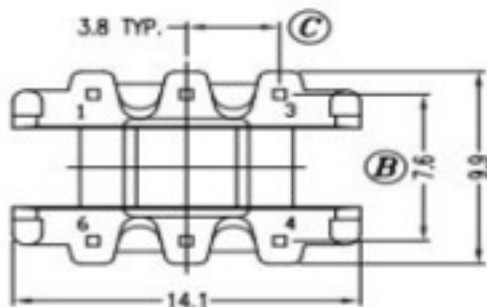
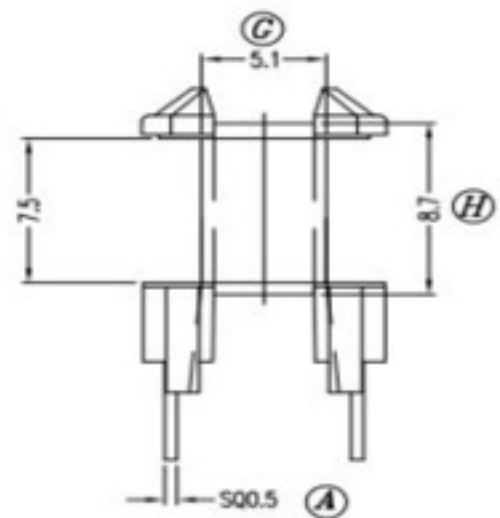
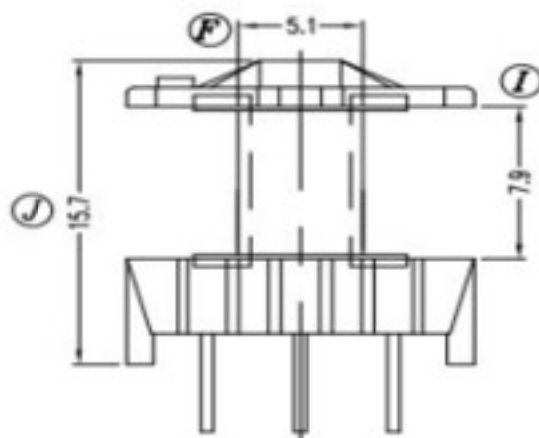
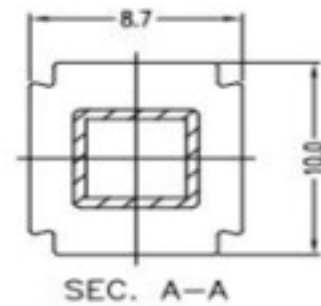
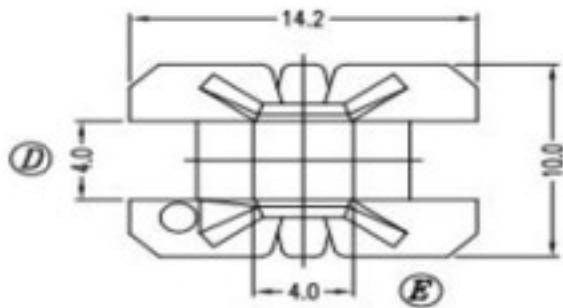
MM

DATE

2014.10.18

(TYPE)

078071261061001



**Self  
Electronic**

MODELNAME EF12.6/6.3/6 3+3

MATERIAL PET

TEL 021-66745473  
021-66716806

TOLERANCE

SCALE DRAW BY

FAX 021-66742368

0 < L ≤ 4 ±0.1  
4 < L ≤ 16 ±0.2

4/1 CHECK BY

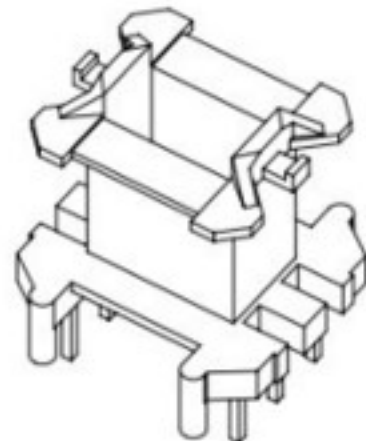
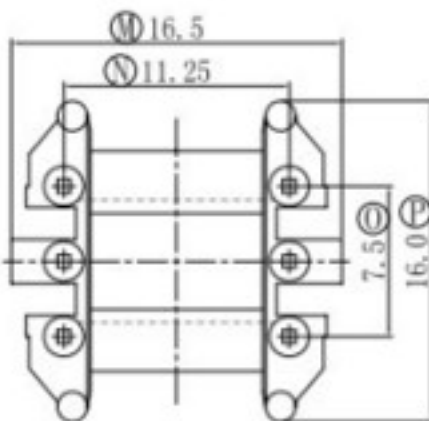
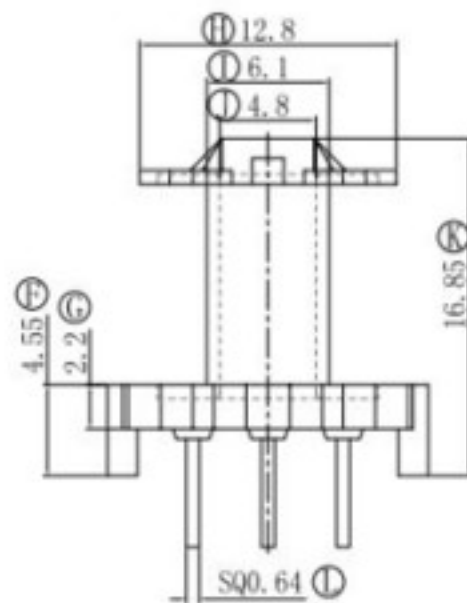
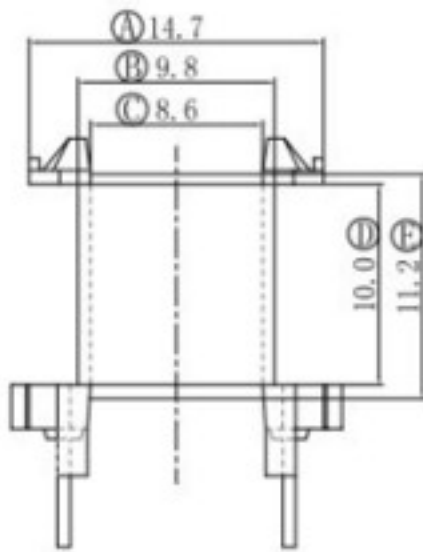
WEBSITE selfelectronic.com

16 < L ≤ 63 ±0.3  
Pin pitch ±0.2

UNIT MM DATE 2014.10.18

(TYPE)

011070161061101



**Self  
Electronic**

MODELNAME

EF16/8/8

MATERIAL

PET

TEL

021-66745473  
021-66716806

TOLERANCE

SCALE

DRAW BY

FAX

021-66742368

0 &lt; L ≤ 4 ±0.1

4 &lt; L ≤ 16 ±0.2

16 &lt; L ≤ 63 ±0.3

Pin pitch ±0.2

4/1

CHECK BY

WEBSITE

selfelectronic.com

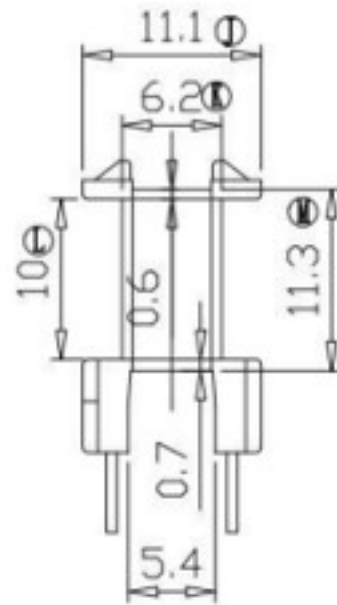
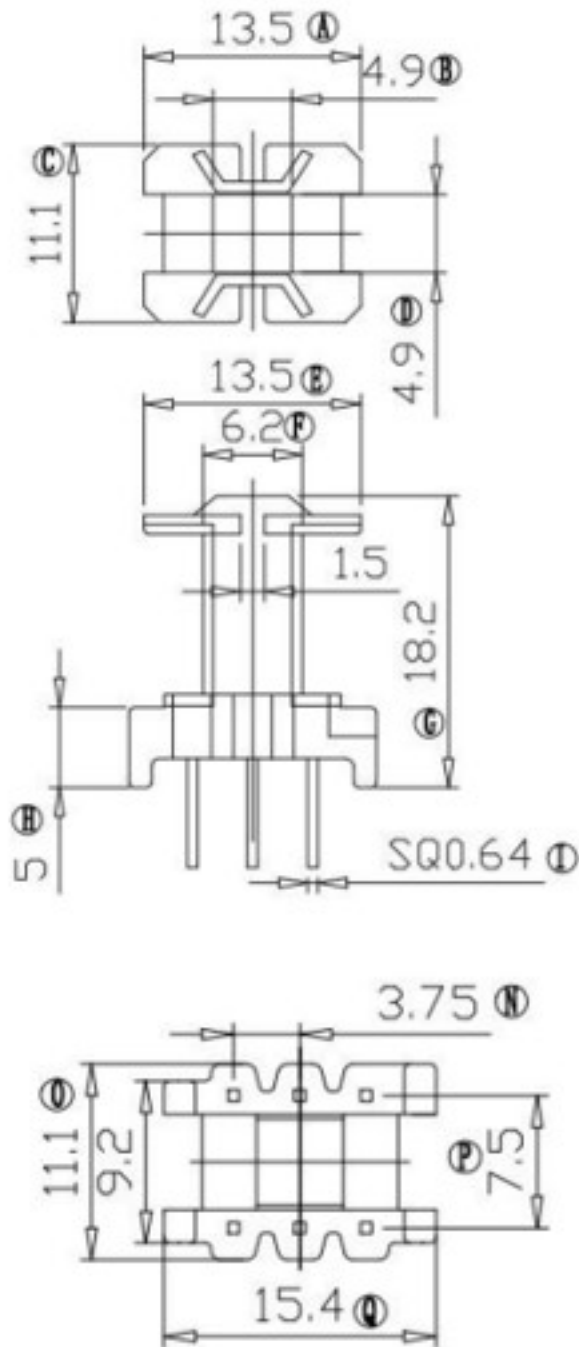
UNIT

MM

DATE

2014.11.12

(TYPE) 031070161061001



### Self Electronic

MODEL EF16/8/6 3+3

MATERIAL PHENOLIC

TEL 021-66745473  
021-66716806

TOLERANCE

SCALE

DRAW BY

FAX 021-66742368

0 &lt; L ≤ 4 ±0.1

4 &lt; L ≤ 16 ±0.2

4/1

CHECK BY

WEBSITE selfelectronic.com

16 &lt; L ≤ 63 ±0.3

Pin pitch ±0.2

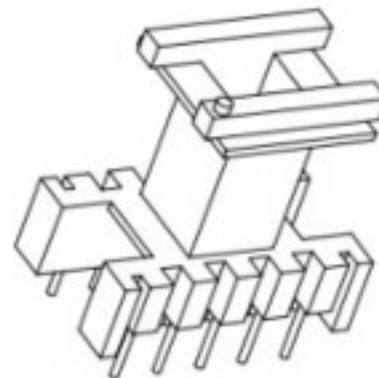
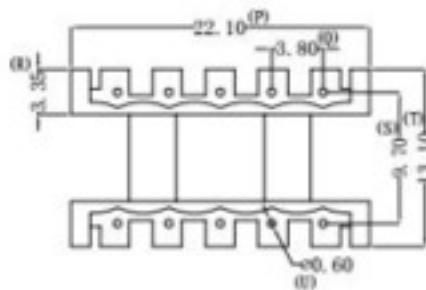
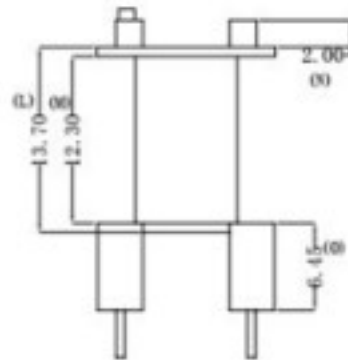
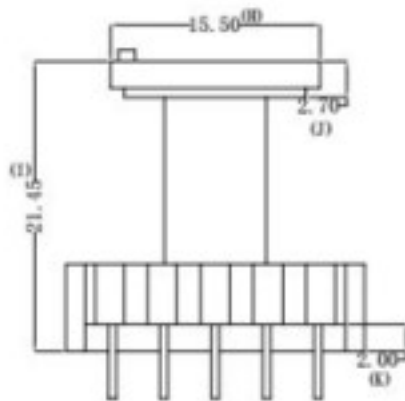
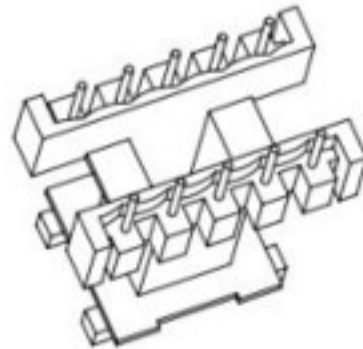
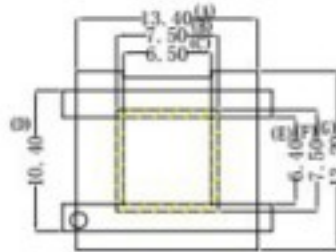
UNIT MM

DATE

2014.10.18

(TYPE)

029070201101101



### Self Electronic

MODELNAME

EF20/10/6

5+5

MATERIAL

PHENLIC

TEL

021-66745473  
021-66716806

TOLERANCE

SCALE

DRAW BY

FAX

021-66742368

 $0 < L \leq 4$   $\pm 0.1$   
 $4 < L \leq 16$   $\pm 0.2$ 

4/1

CHECK BY

WEBSITE

selfelectronic.com

 $16 < L \leq 63$   $\pm 0.3$   
 Pin pitch  $\pm 0.2$ 

UNIT

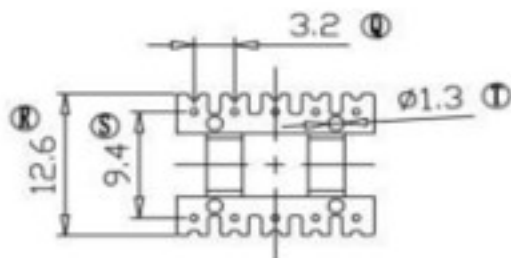
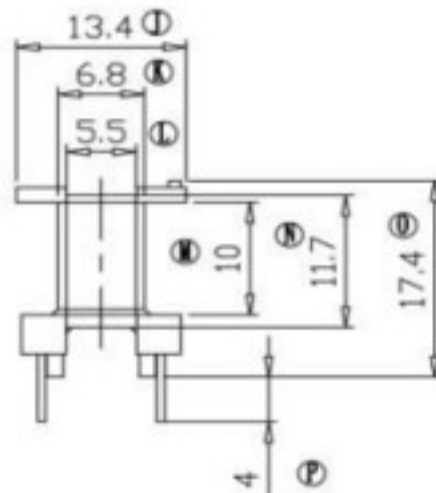
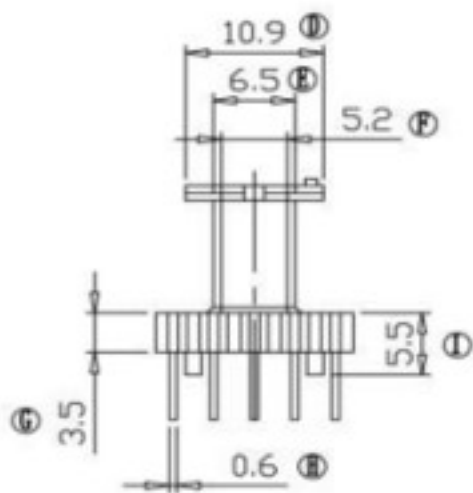
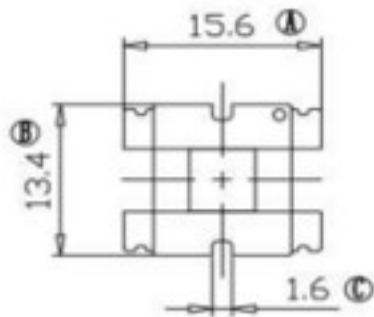
MM

DATE

2014.11.12

(TYPE)

031070161101001



### Self Electronic

MODEL

EF16/8/5 5+5

MATERIAL

PHENOLIC

TEL

021-66745473  
021-66716806

TOLERANCE

SCALE

DRAW BY

FAX

021-66742368

 $0 < L \leq 4 \quad \pm 0.1$   
 $4 < L \leq 16 \quad \pm 0.2$ 

4/1

CHECK BY I

WEBSITE

selfelectronic.com

 $16 < L \leq 63 \quad \pm 0.3$   
 Pin pitch  $\pm 0.2$ 

UNIT

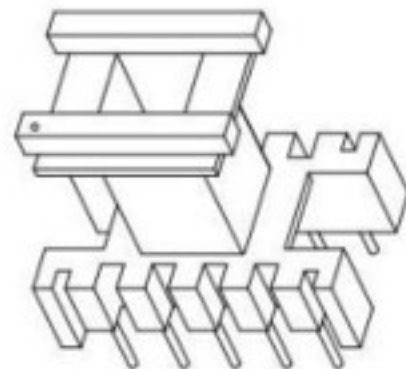
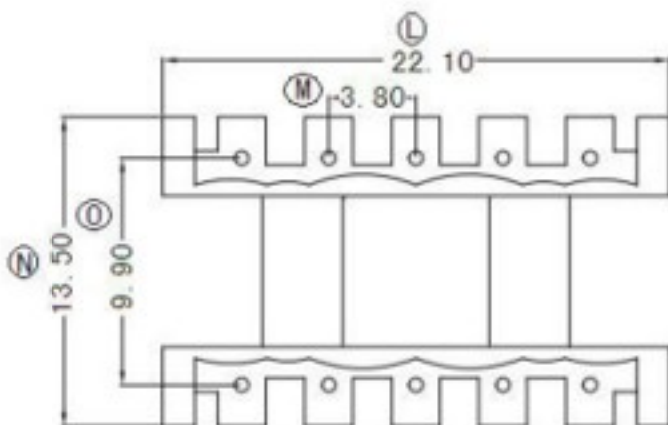
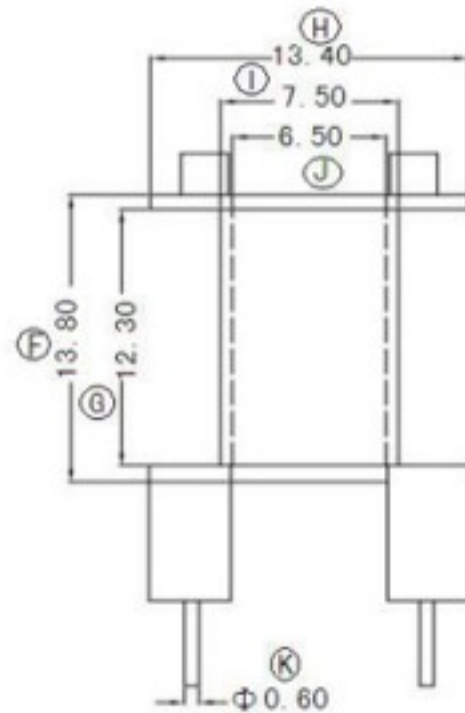
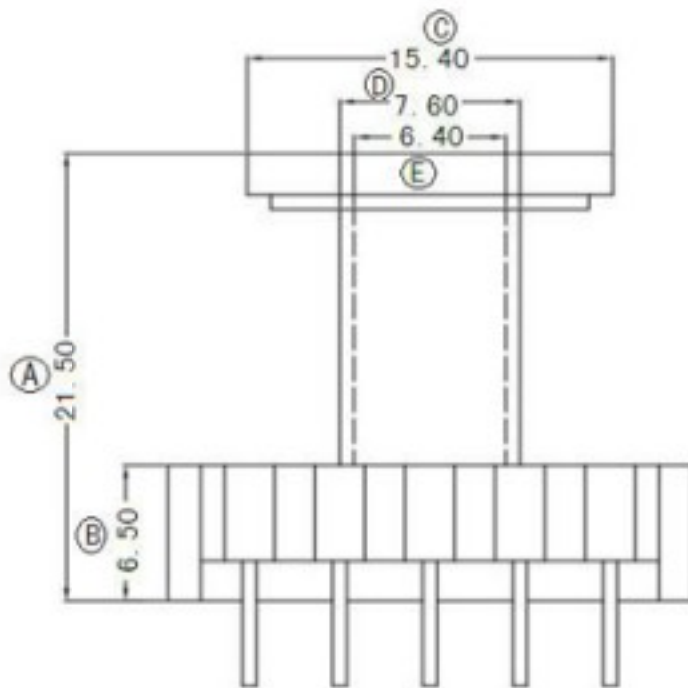
MM

DATE

2014.10.18

(TYPE)

006070202101105



### Self Electronic

MODEL

EF20/8/6

5+5

MATERIAL

PHENOLIC

TEL

021-66745473  
021-66716806

TOLERANCE

SCALE

DRAW BY

FAX

021-66742368

 $0 < L \leq 4 \quad \pm 0.1$   
 $4 < L \leq 16 \quad \pm 0.2$ 

4/1

CHECK BY

WEBSITE

selfelectronic.com

 $16 < L \leq 63 \quad \pm 0.3$   
 Pin pitch  $\pm 0.2$ 

UNIT

MM

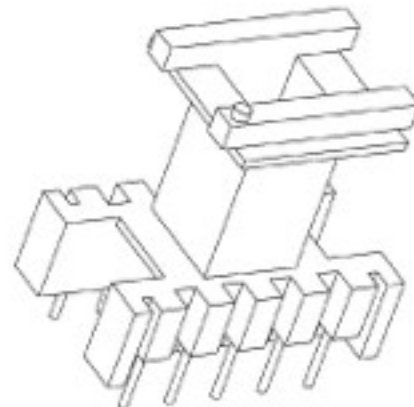
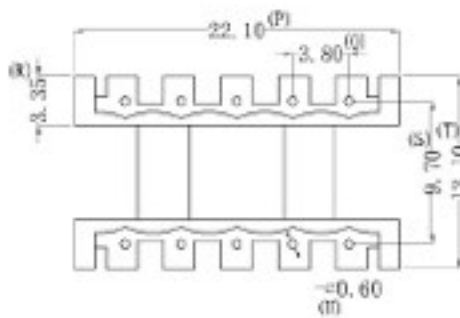
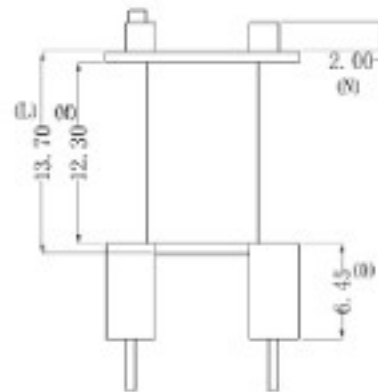
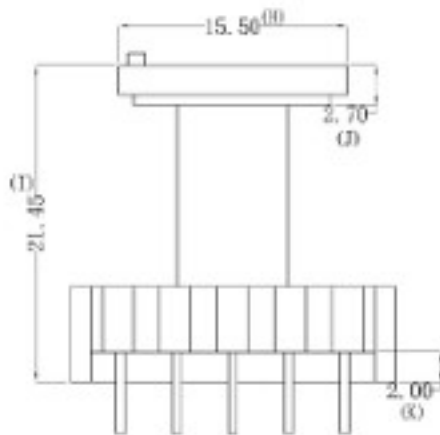
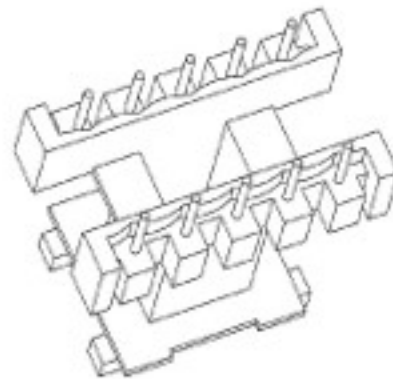
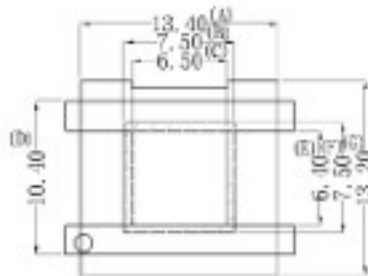
DATE

2014.10.18



(TYPE)

029070201101101



**Self  
Electronic**

MODEL

EF20/8/6 5+5

MATERIAL

PHENOLIC

TEL

021-66745473  
021-66716806

TOLERANCE

SCALE

DRAW BY

FAX

021-66742368

0 &lt; L ≤ 4 ±0.1

4 &lt; L ≤ 16 ±0.2

16 &lt; L ≤ 63 ±0.3

Pin pitch ±0.2

4/1

CHECK BY

WEBSITE

selfelectronic.com

UNIT

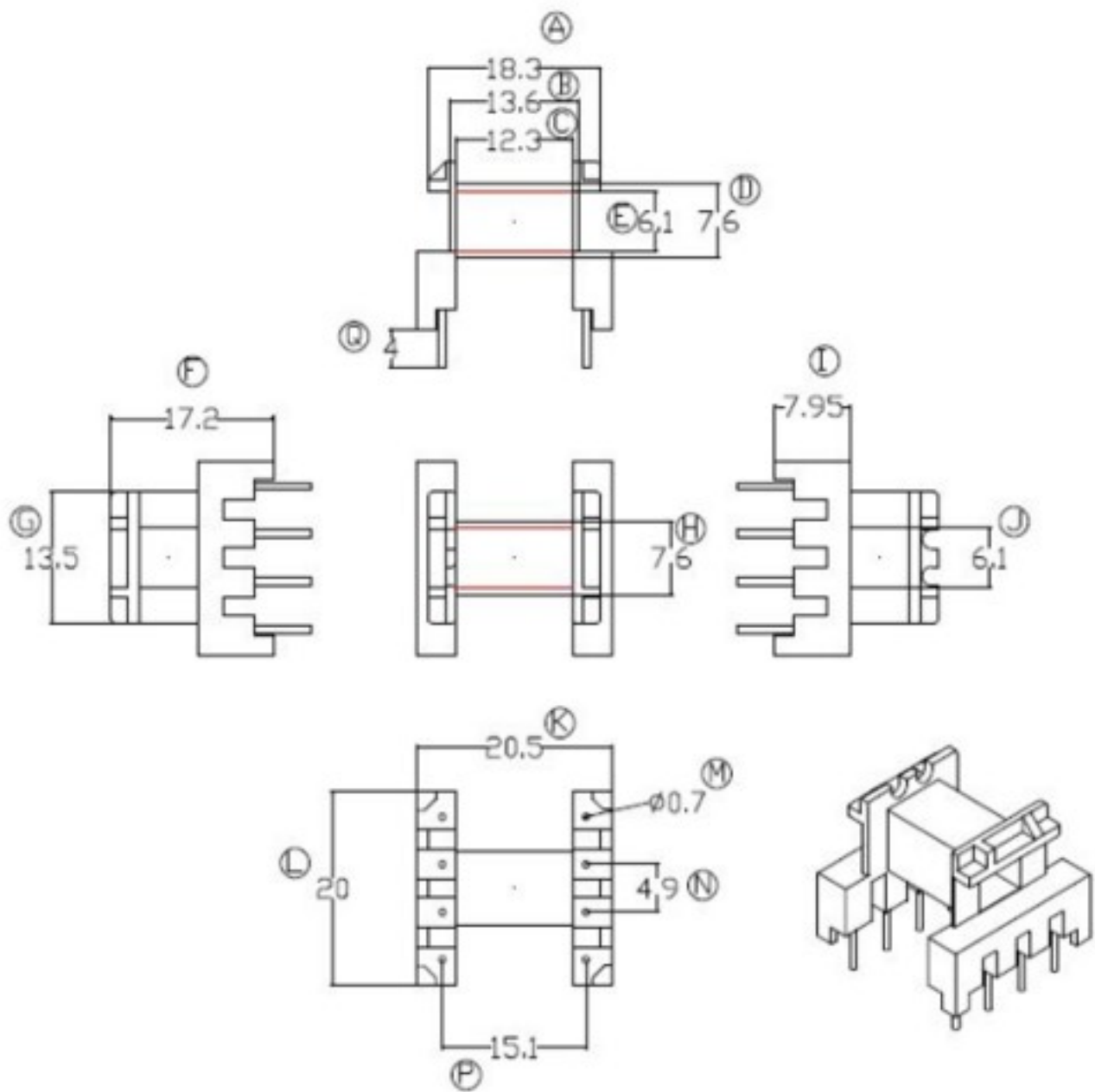
MM

DATE

2014.10.10

(TYPE)

031070202081001



**Self  
Electronic**

MODEL

EF20/10/6

4+4

MATERIAL

PHENOLIC

TEL

021-66745473  
021-66716806

TOLERANCE

SCALE

DRAW BY

FAX

021-66742368

 $0 < L \leq 4 \quad \pm 0.1$   
 $4 < L \leq 16 \quad \pm 0.2$   
 $16 < L \leq 63 \quad \pm 0.3$ 

4/1

CHECK BY

WEBSITE

selfelectronic.com

Pin pitch  $\pm 0.2$ 

UNIT

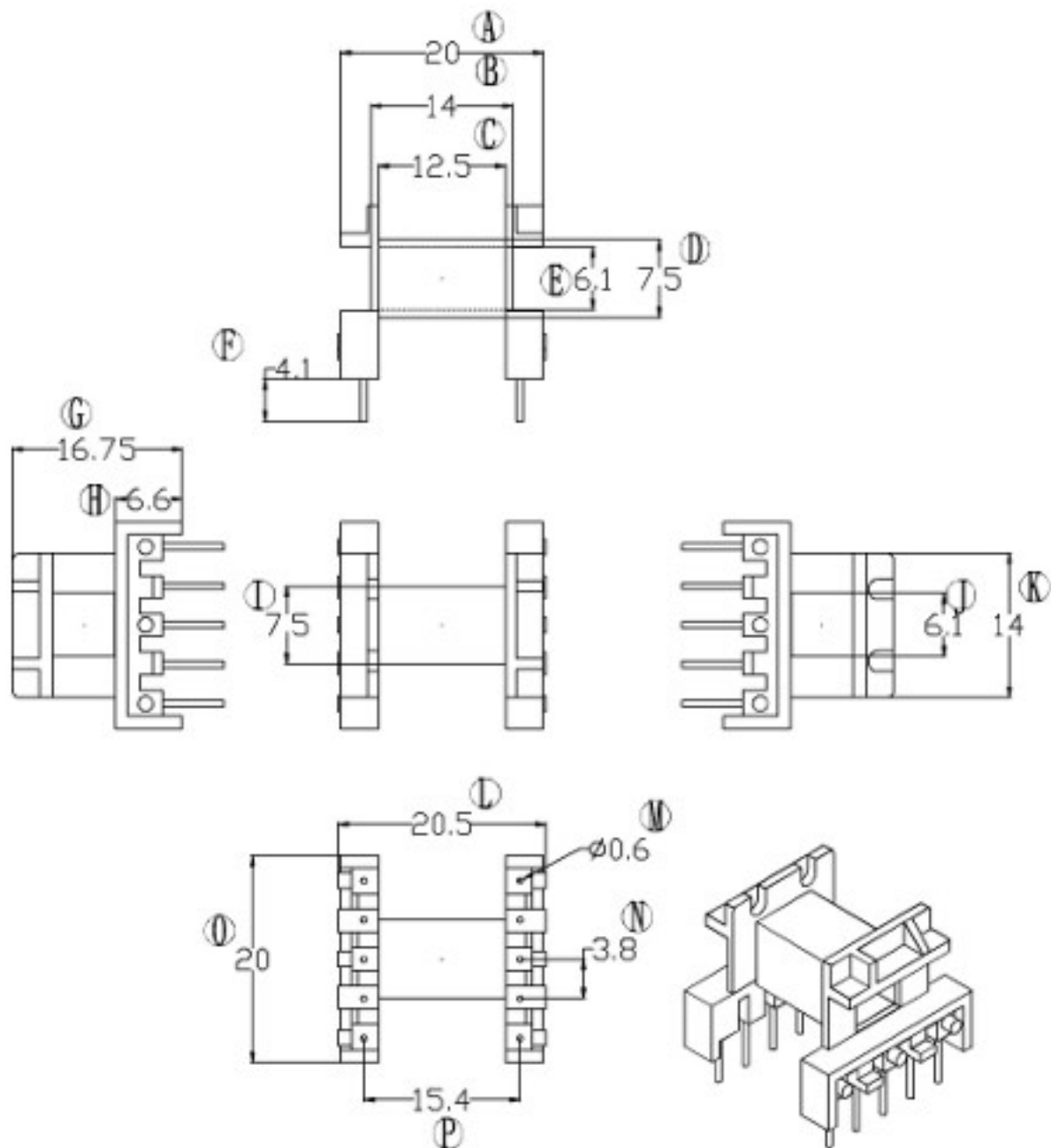
MM

DATE

2014.10.18

TYPE

031070202101004



**Self  
Electronic**

MODEL

EF20/10/6

5+5

MATERIAL

PHENOLIC

TEL

021-66745473  
021-66716806

TOLERANCE

SCALE

DRAW BY

FAX

021-66742368

 $0 < L \leq 4 \quad \pm 0.1$   
 $4 < L \leq 16 \quad \pm 0.2$   
 $16 < L \leq 63 \quad \pm 0.3$   
 Pin pitch  $\pm 0.2$ 

4/1

CHECK BY

WEBSITE

selfelectronic.com

UNIT

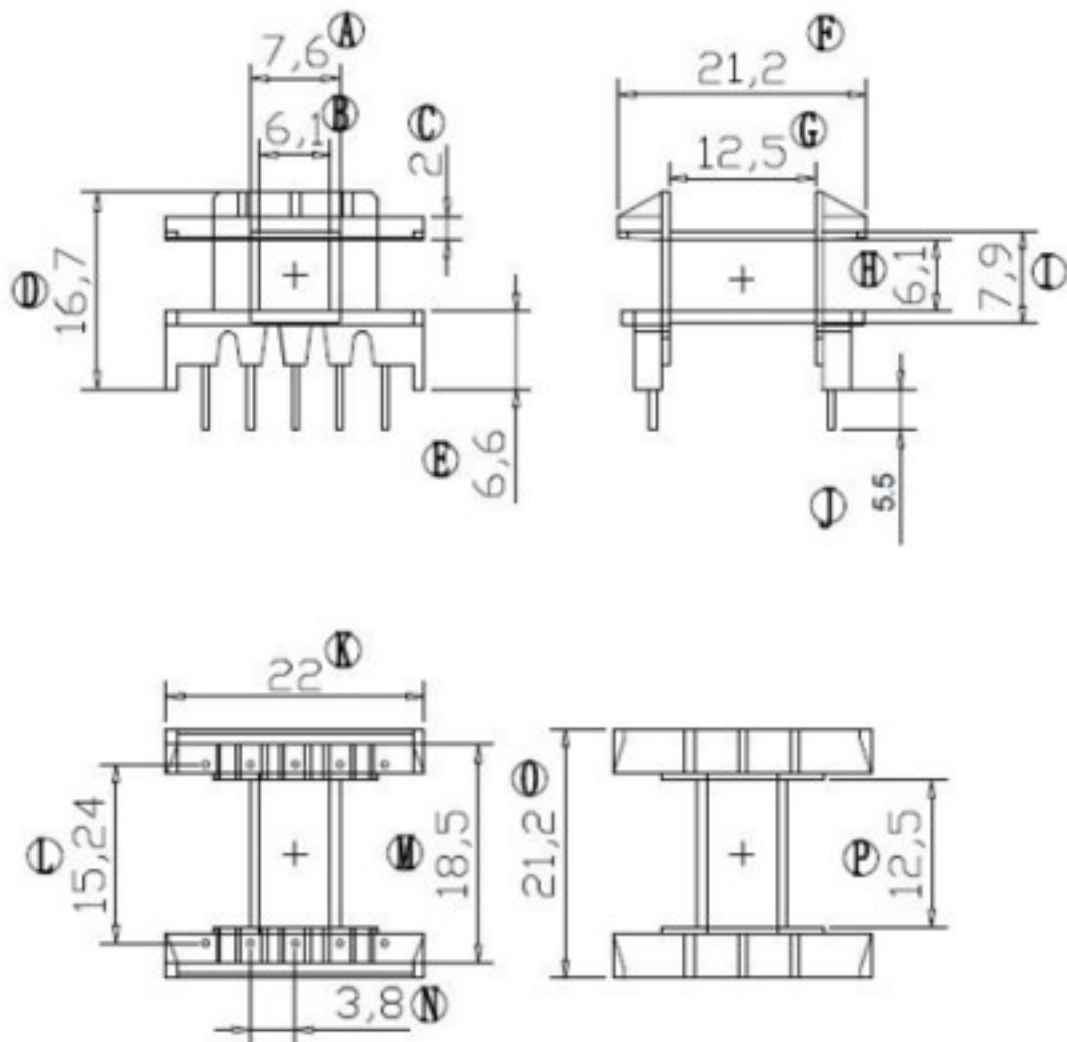
MM

DATE

2014.10.18

(TYPE)

031070202101003



### Self Electronic

MODEL

EF20/10/€

5+5

MATERIAL

PET

TEL

021-66745473  
021-66716806

TOLERANCE

SCALE

DRAW BY

:

FAX

021-66742368

0 &lt; L ≤ 4 ±0.1

4 &lt; L ≤ 16 ±0.2

16 &lt; L ≤ 63 ±0.3

Pin pitch ±0.2

4/1

CHECK BY

WEBSITE

selfelectronic.com

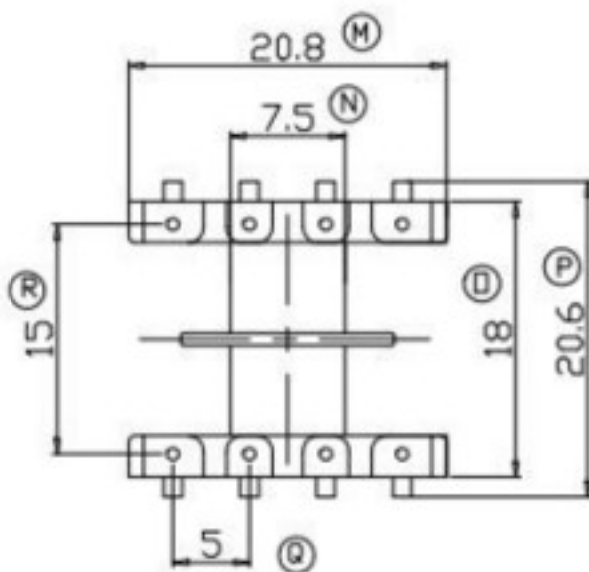
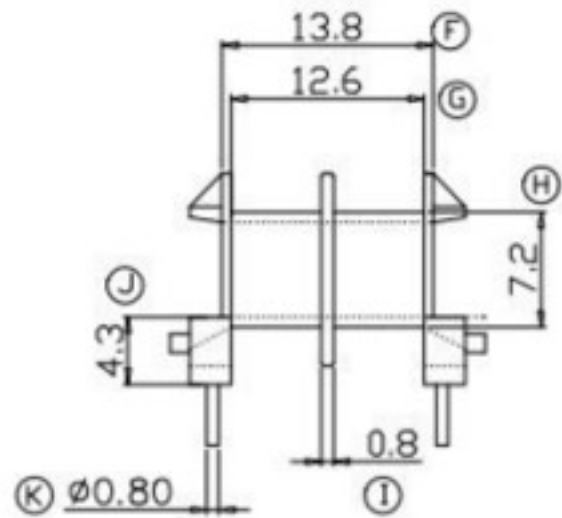
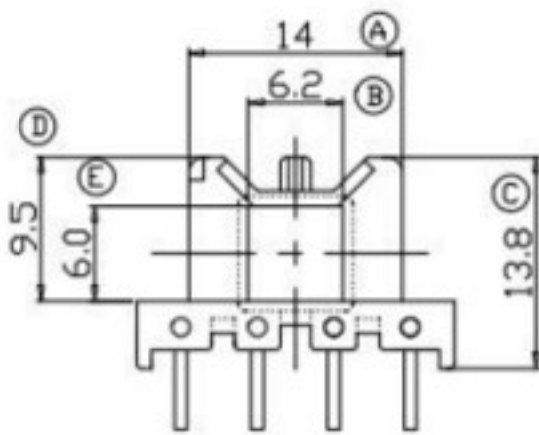
UNIT

MM

DATE

2014.10.10

(TYPE) 031070202082001



**Self  
Electronic**

MODEL EF20/10/6 4+4

MATERIAL PHENOLIC

TEL 021-66745473  
021-66716806

TOLERANCE

SCALE DRAW BY

FAX 021-66742368

0 < L ≤ 4 ±0.1  
4 < L ≤ 16 ±0.2

4/1

CHECK BY

WEBSITE selfelectronic.com

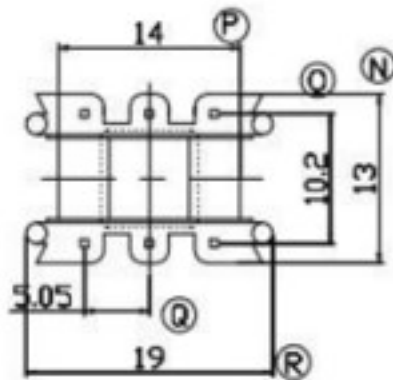
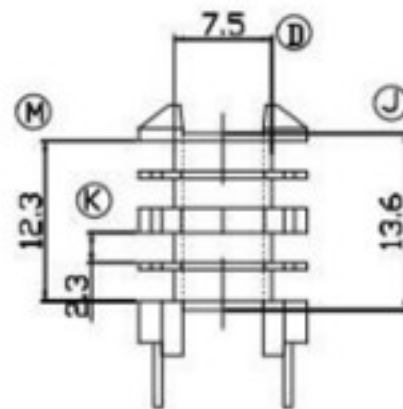
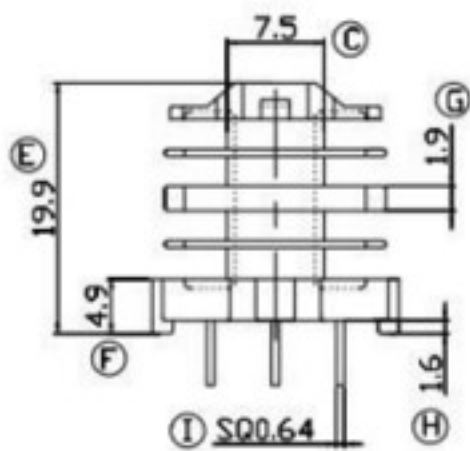
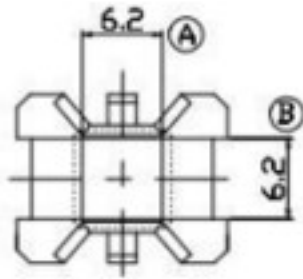
16 < L ≤ 63 ±0.3  
Pin pitch ±0.2

UNIT MM

DATE

2014.10.18

(TYPE) 031070204061001



### Self Electronic

MODEL	EF20/10/6	3+3
-------	-----------	-----

MATERIA	PET
---------	-----

TEL	021-66745473 021-66716806
-----	------------------------------

TOLERANCE	
-----------	--

SCALE	DRAW BY
-------	---------

FAX	021-66742368
-----	--------------

$0 < L \leq 4$	$\pm 0.1$
$4 < L \leq 16$	$\pm 0.2$
$16 < L \leq 63$	$\pm 0.3$
Pin pitch	$\pm 0.2$

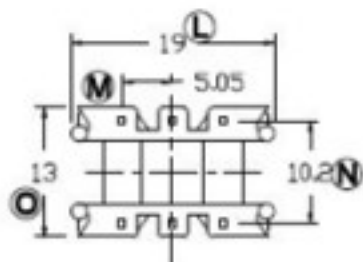
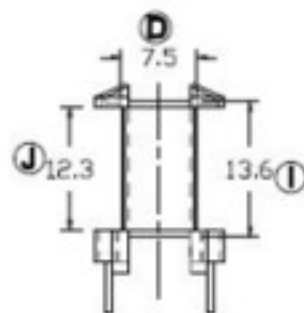
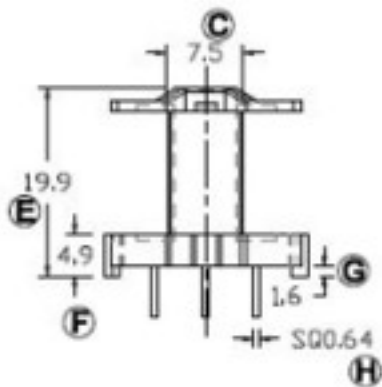
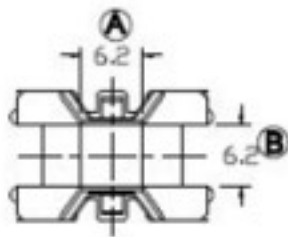
4/1	CHECK BY
-----	----------

WEBSITE	selfelectronic.com
---------	--------------------

UNIT	MM	DATE	2014.10.18
------	----	------	------------

(TYPE)

031070201061002



### Self Electronic

MODEL

EF20/10/6

3+3

MATERIAL

PET

TEL

021-66745473  
021-66716806

TOLERANCE

SCALE

DRAW BY

FAX

021-66742368

 $0 < L \leq 4 \quad \pm 0.1$   
 $4 < L \leq 16 \quad \pm 0.2$ 

4/1

CHECK BY

WEBSITE

selfelectronic.com

 $16 < L \leq 63 \quad \pm 0.3$   
 Pin pitch  $\pm 0.2$ 

UNIT

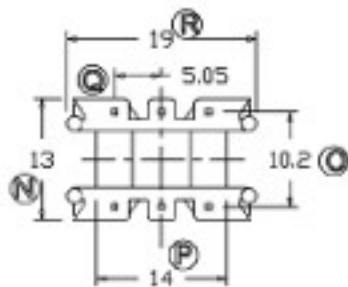
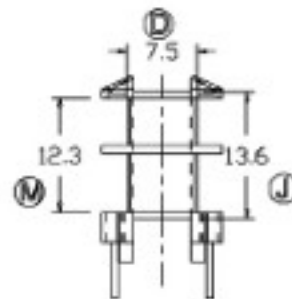
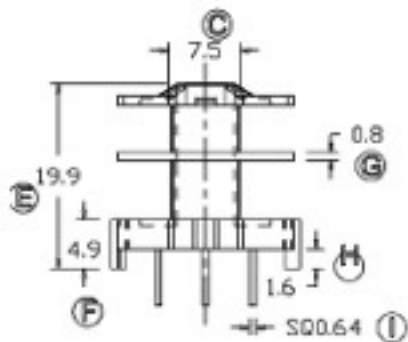
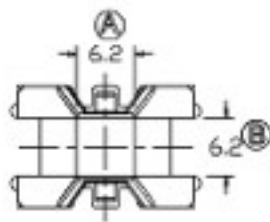
MM

DATE

2014.10.18

(TYPE)

03107020106100



### Self Electronic

MODEL

EF20/10/6

3+3

MATERIAL

PET

TEL

021-66745473  
021-66716806

TOLERANCE

SCALE

DRAW BY

FAX

021-66742368

 $0 < L \leq 4$   $\pm 0.1$   
 $4 < L \leq 16$   $\pm 0.2$ 

4/1

CHECK BY

WEBSITE

selfelectronic.com

 $16 < L \leq 63$   $\pm 0.3$   
 Pin pitch  $\pm 0.2$ 

UNIT

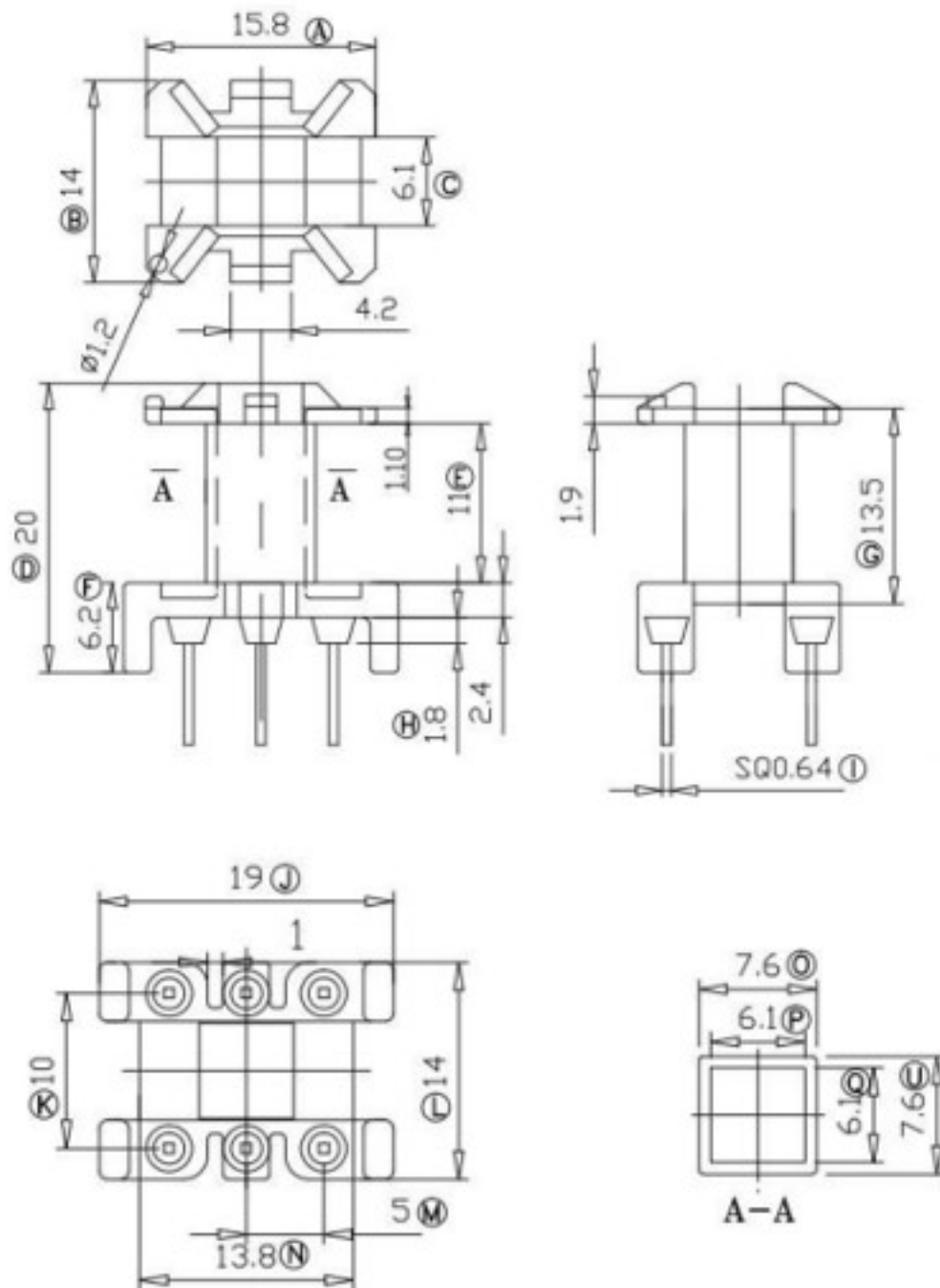
MM

DATE

2014.10.18



(TYPE) 031070201061001



### Self Electronic

MODEL EF20/10/6 3+3

MATERIAL PHENOLIC

TEL 021-66745473  
021-66716806

TOLERANCE

SCALE DRAW BY

FAX 021-66742368

0 &lt; L ≤ 4 ±0.1

4 &lt; L ≤ 16 ±0.2

16 &lt; L ≤ 63 ±0.3

Pin pitch ±0.2

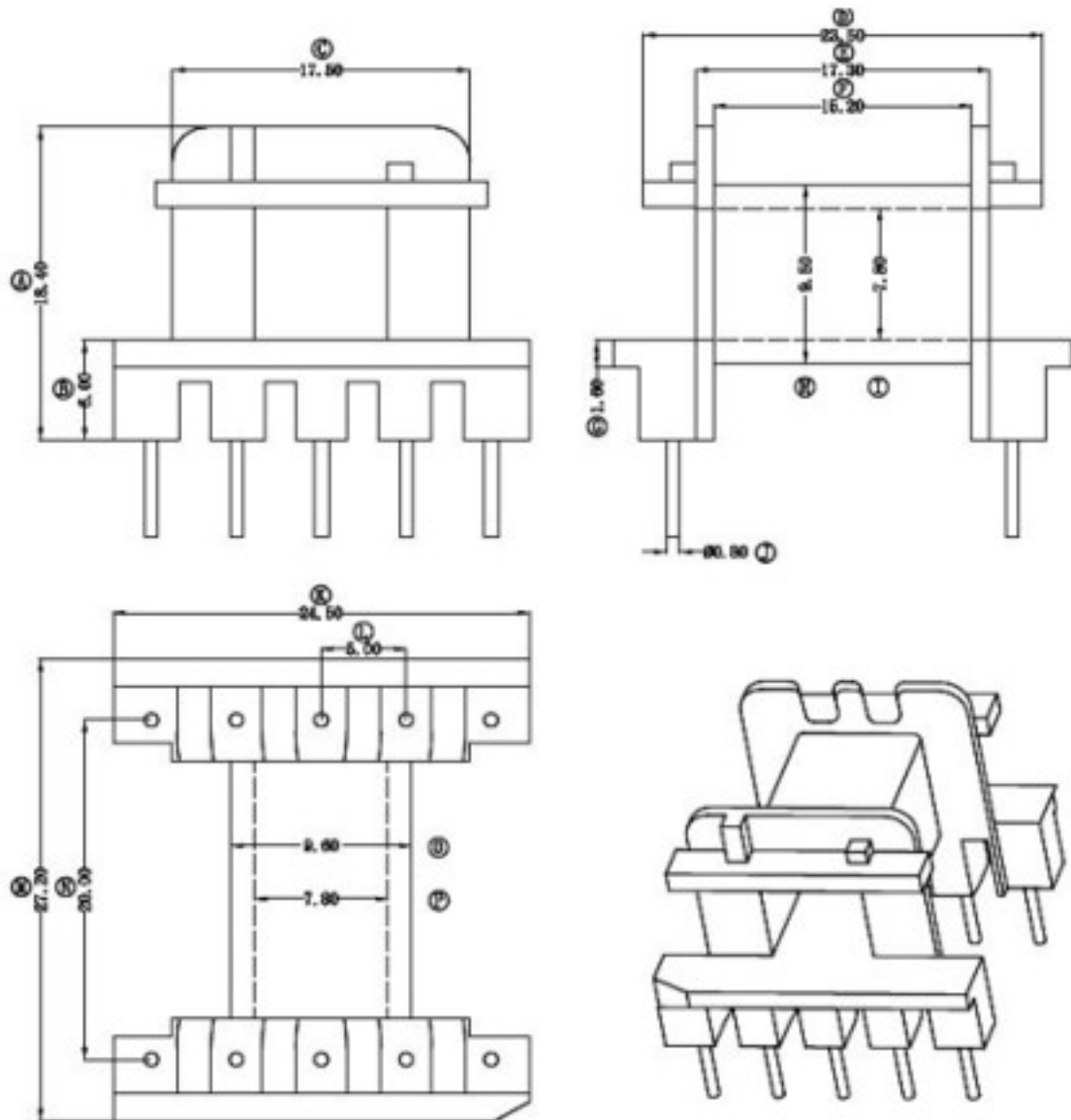
4/1 CHECK BY

WEBSITE selfelectronic.com

UNIT MM DATE 2014.10.18

(TYPE)

006070252101103



**Self  
Electronic**

MODEL  
NAME

EF25/13/7 5+5  
5mm 20mm 18.4mm

MATERIAL

PHENOLIC

TEL

021-66745473  
021-66716806

TOLERANCE

SCALE

DRAW BY

FAX

021-66742368

0 < L ≤ 4 ±0.1  
4 < L ≤ 16 ±0.2

4/1

CHECK BY

WEBSITE

selfelectronic.com

16 < L ≤ 63 ±0.3  
Pin pitch ±0.2

UNIT

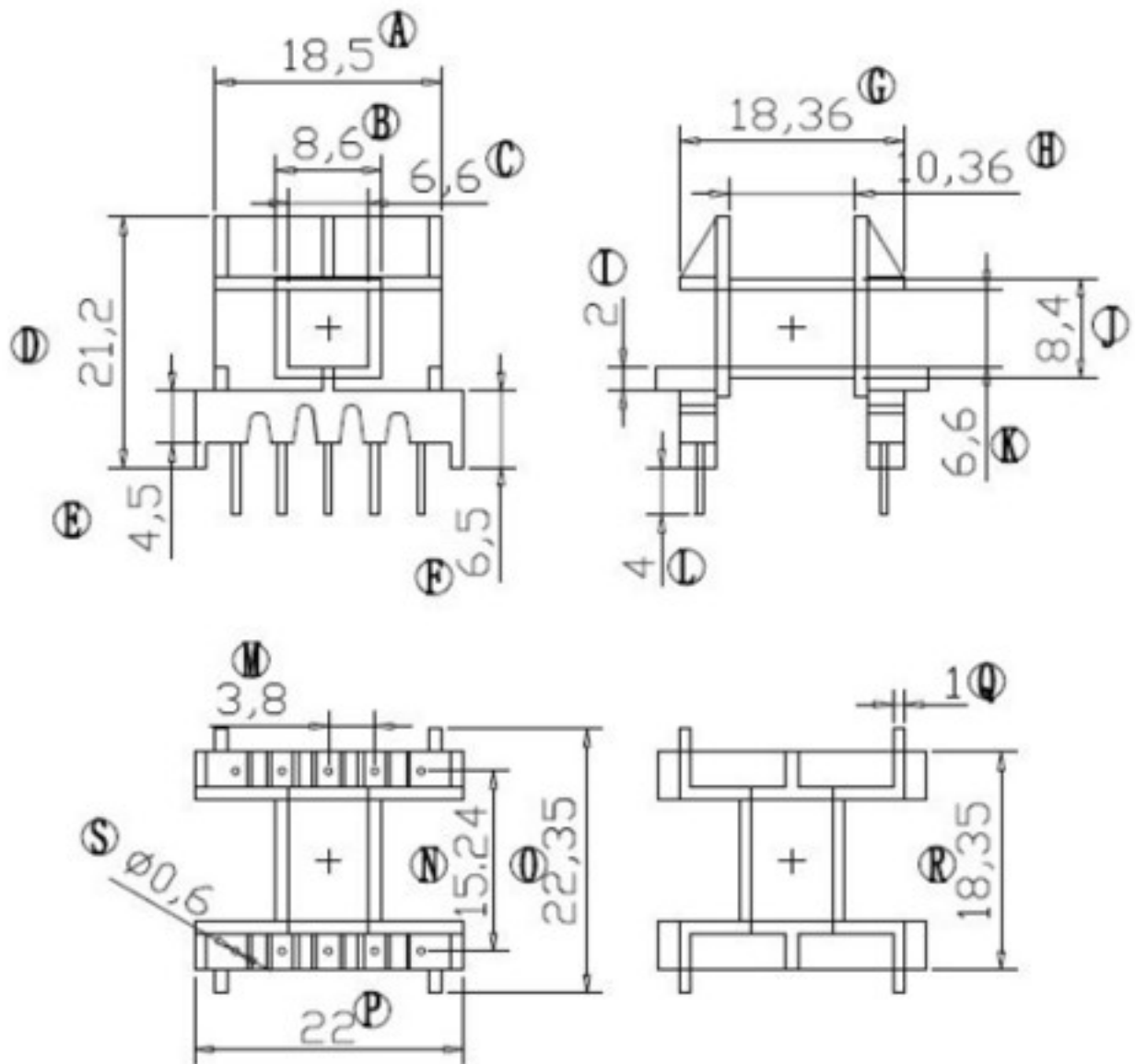
MM

DATE

2014.10.10

型号 (TYPE)

031070252101003



**Self  
Electronic**

MODEL

EF25/10/6 5+5

MATERIAL

PET

TEL

021-66745473  
021-66716806

TOLERANCE

SCALE

DRAW BY

FAX

021-66742368

0 < L ≤ 4 ±0.1  
4 < L ≤ 16 ±0.2  
16 < L ≤ 63 ±0.3  
Pin pitch ±0.2

4/1

CHECK BY

WEBSITE

selfelectronic.com

UNIT

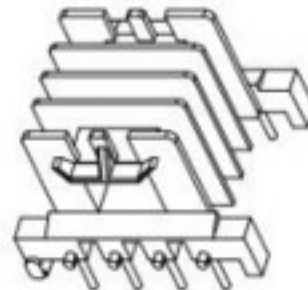
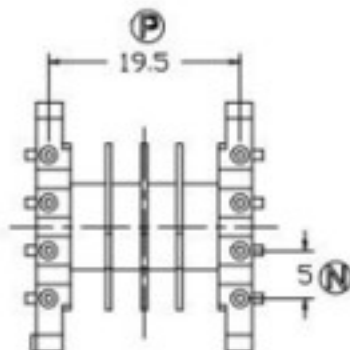
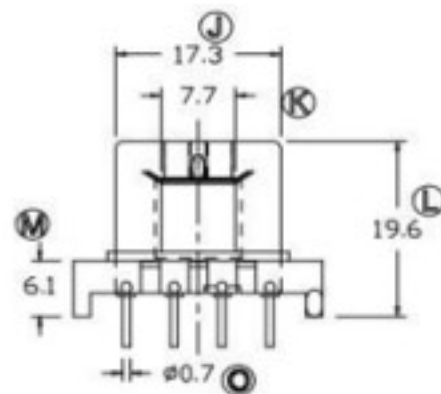
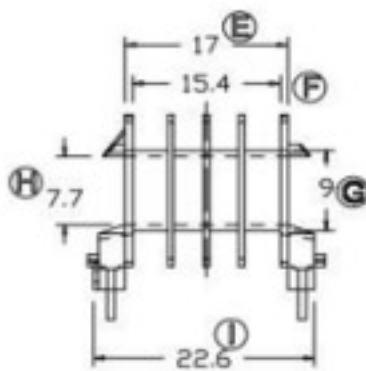
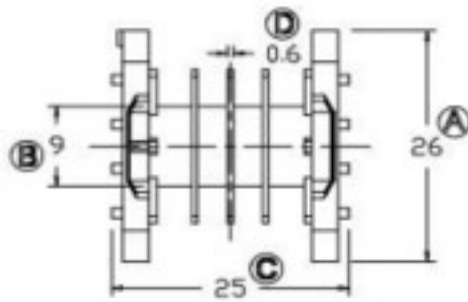
MM

DATE

2014.10.17

(TYPE)

031070252084001



**Self  
Electronic**

MODEL

EF25/13/7

NAME

4+4

MATERIAL

PBT

TEL

021-66745473  
021-66716806

TOLERANCE

SCALE

DRAW BY

FAX

021-66742368

 $0 < L \leq 4 \quad \pm 0.1$   
 $4 < L \leq 16 \quad \pm 0.2$   
 $16 < L \leq 63 \quad \pm 0.3$ 

4/1

CHECK BY

WEBSITE

selfelectronic.com

Pin pitch  $\pm 0.2$ 

UNIT

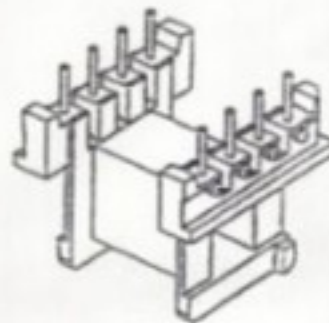
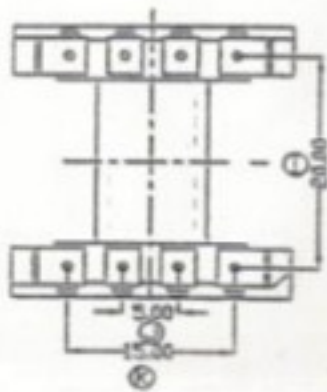
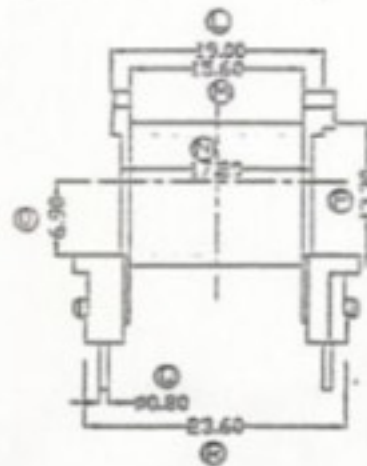
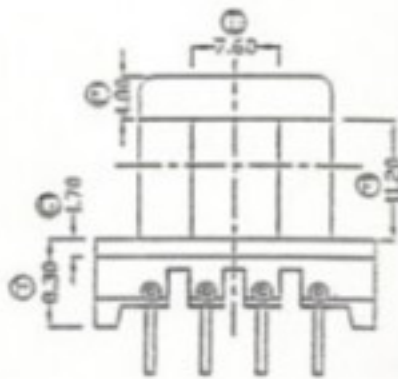
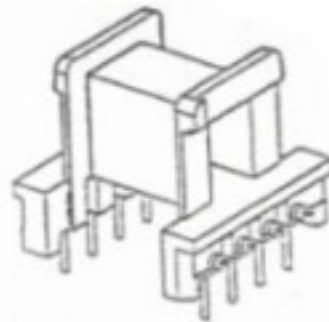
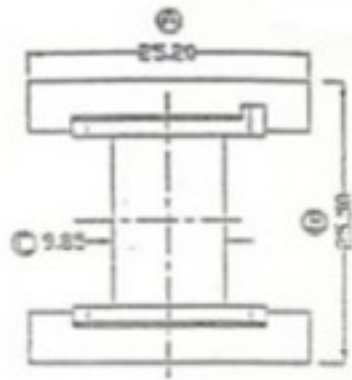
MM

DATE

2014.10.18

(TYPE)

010070252081102



**Self  
Electronic**

MODEL

EF25/13/11

4+4

NAME

MATERIAL

PHENOLIC

TEL

021-66745473  
021-66716806

TOLERANCE

SCALE

DRAW BY

FAX

021-66742368

0 &lt; L ≤ 4 ±0.1

4 &lt; L ≤ 16 ±0.2

16 &lt; L ≤ 63 ±0.3

Pin pitch ±0.2

4/1

CHECK BY

WEBSITE

selfelectronic.com

UNIT

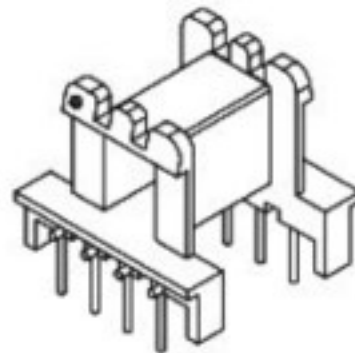
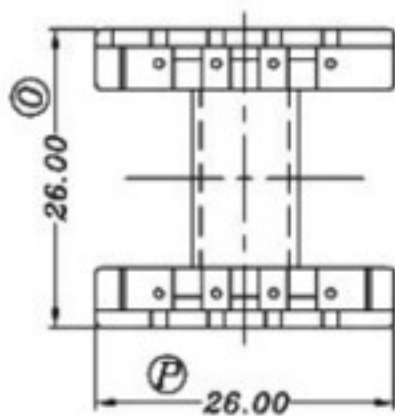
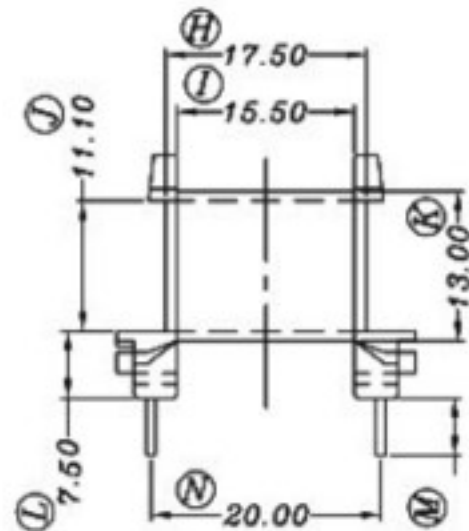
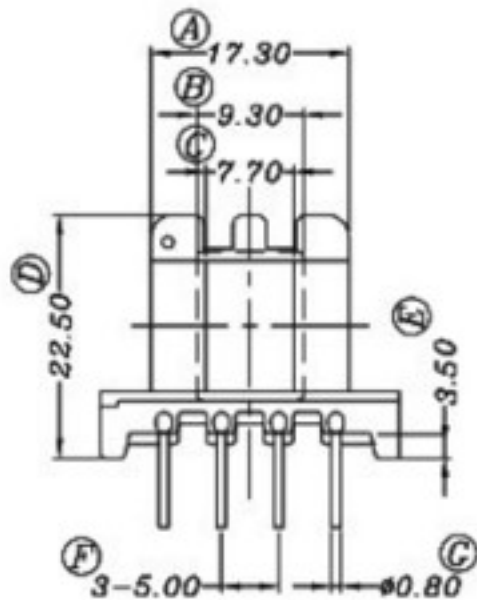
MM

DATE

2014.10.18

(TYPE)

010070252081103



**Self  
Electronic**

MODEL

EF25/13/11

4+4

NAME

MATERIAL

PHENOLIC

TEL

021-66745473  
021-66716806

TOLERANCE

SCALE

DRAW BY

FAX

021-66742368

 $0 < L \leq 4 \quad \pm 0.1$   
 $4 < L \leq 16 \quad \pm 0.2$   
 $16 < L \leq 63 \quad \pm 0.3$   
 Pin pitch  $\pm 0.2$ 

4/1

CHECK BY

WEBSITE

selfelectronic.com

UNIT

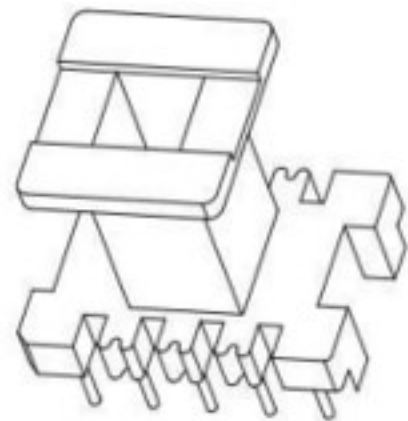
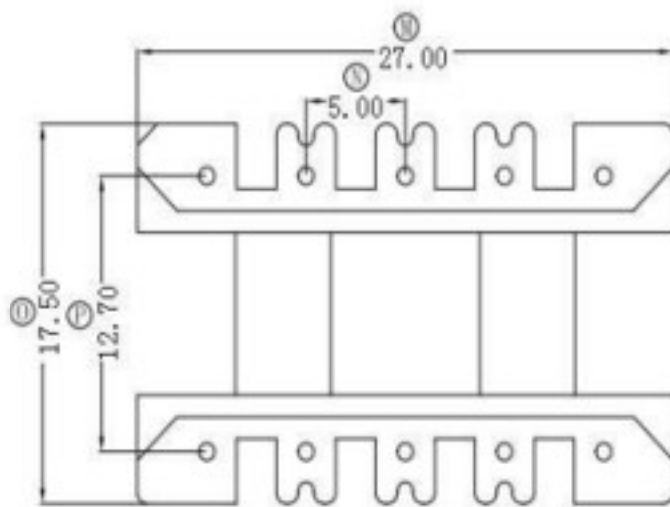
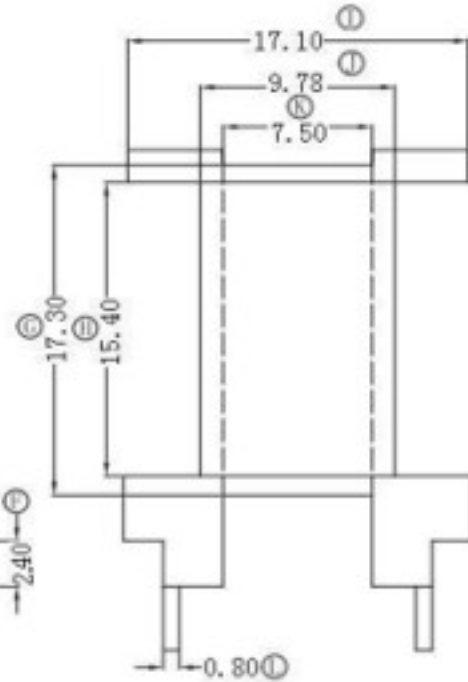
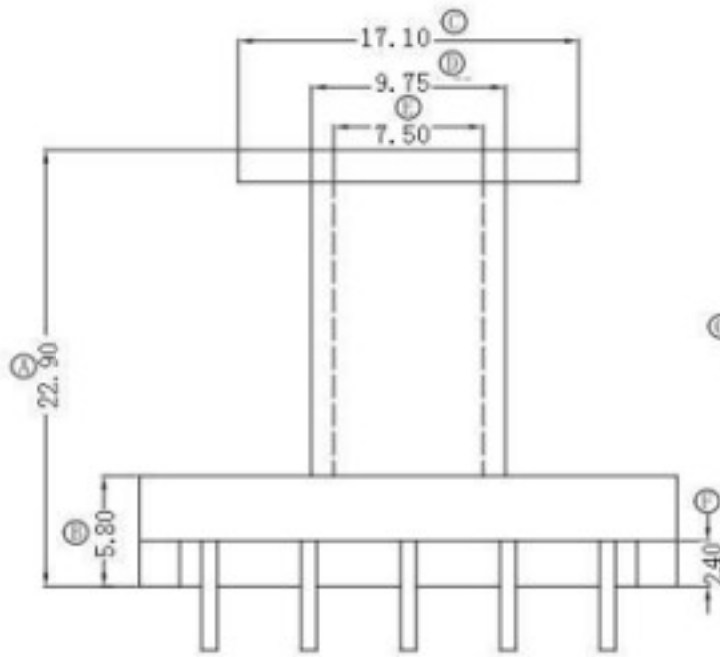
MM

DATE

2014.10.18

(TYPE)

006070251101001



**Self  
Electronic**

MODEL EF25/13/7 5+5

MATERIAL PHENOLIC

TEL 021-66745473  
021-66716806

TOLERANCE

SCALE DRAW BY

FAX 021-66742368

0 < L ≤ 4 ±0.1  
4 < L ≤ 16 ±0.2

4/1 CHECK BY

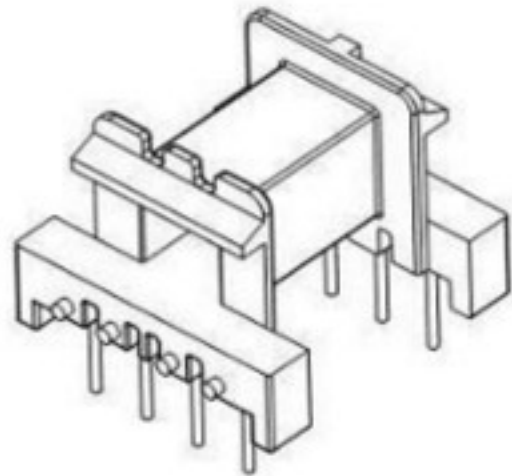
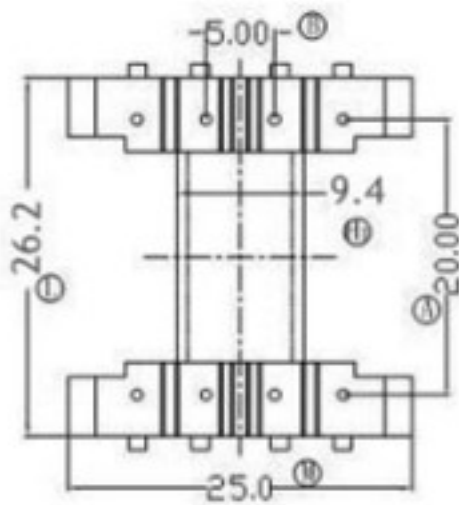
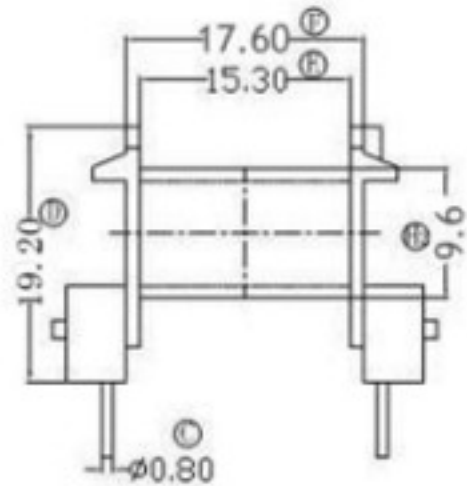
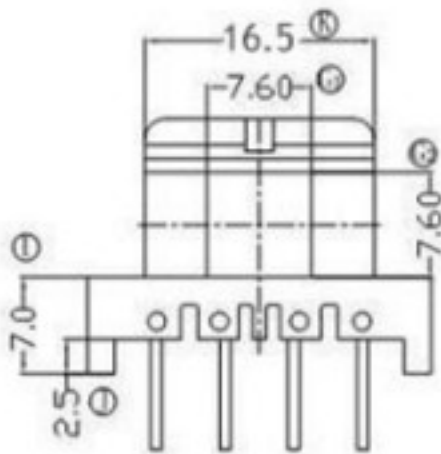
WEBSITE selfelectronic.com

16 < L ≤ 63 ±0.3  
Pin pitch ±0.2

UNIT MM DATE 2014.10.18

(TYPE)

006070252081001



### Self Electronic

MODEL

EF25/13/7

4+4

MATERIAL

PHENOLIC

TEL

021-66745473  
021-66716806

TOLERANCE

SCALE

DRAW BY

FAX

021-66742368

 $0 < L \leq 4$  ±0.1  
 $4 < L \leq 16$  ±0.2  
 $16 < L \leq 63$  ±0.3  
 Pin pitch ±0.2

4/1

CHECK BY

WEBSITE

selfelectronic.com

UNIT

MM

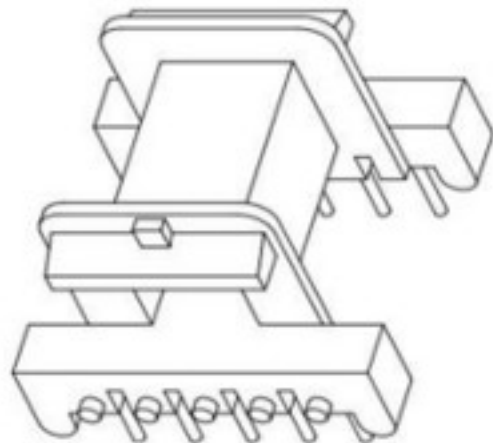
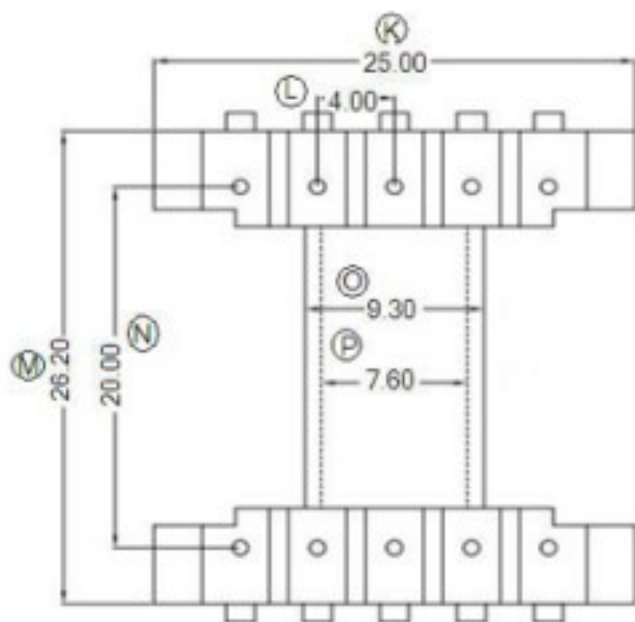
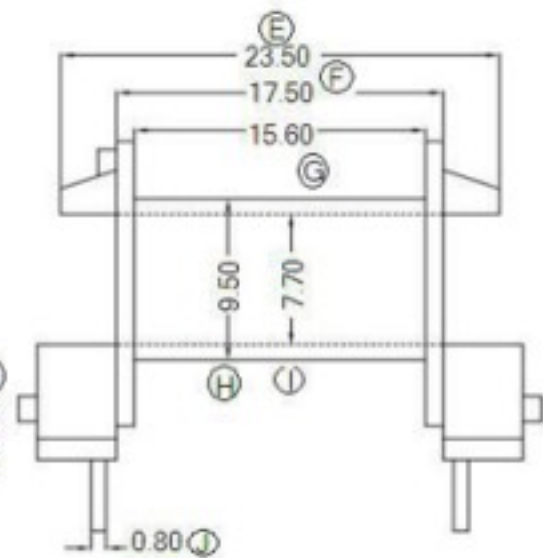
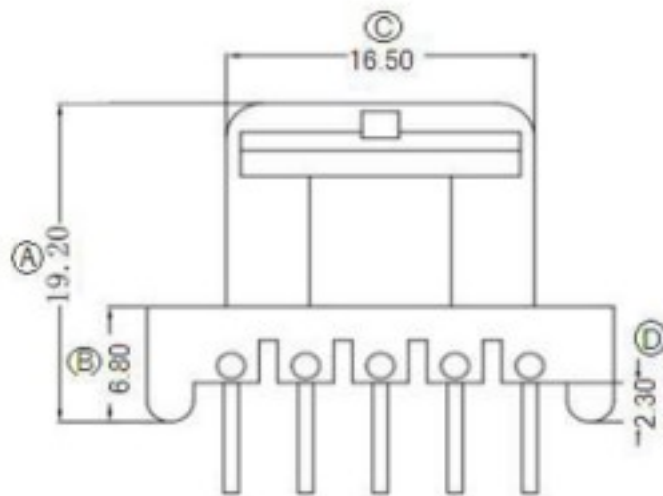
DATE

2014.10.18



(TYPE)

006070252101101



**Self  
Electronic**

MODEL  
NAMEEF25/13/7 5+5  
20 4mm  
19.2mm

MATERIAL

PHENOLIC

TEL

021-66745473  
021-66716806

TOLERANCE

SCALE

DRAW BY

FAX

021-66742368

0 < L ≤ 4 ±0.1  
4 < L ≤ 16 ±0.2

4/1

CHECK BY I

WEBSITE

selfelectronic.com

16 < L ≤ 63 ±0.3  
Pin pitch ±0.2

UNIT

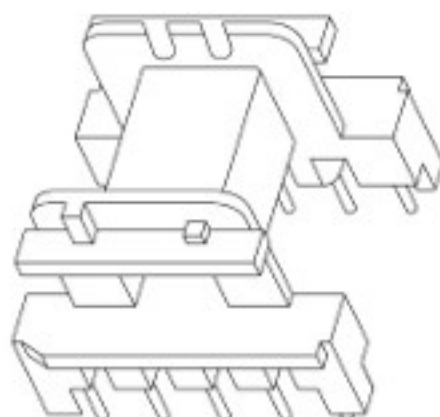
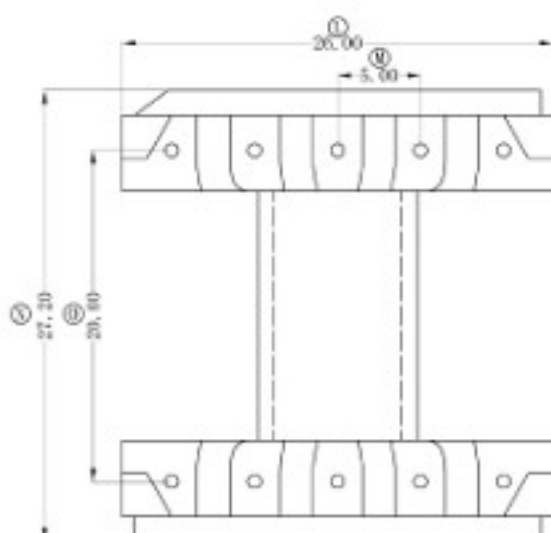
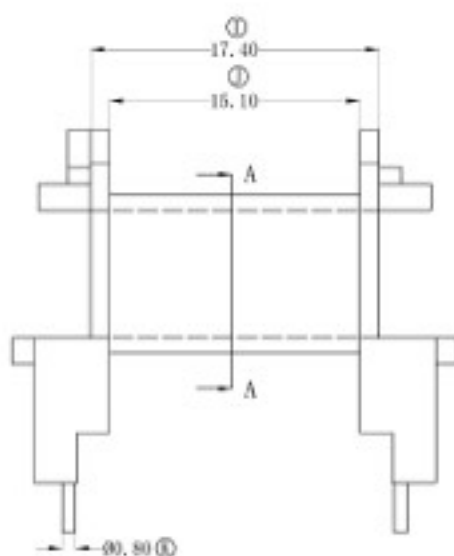
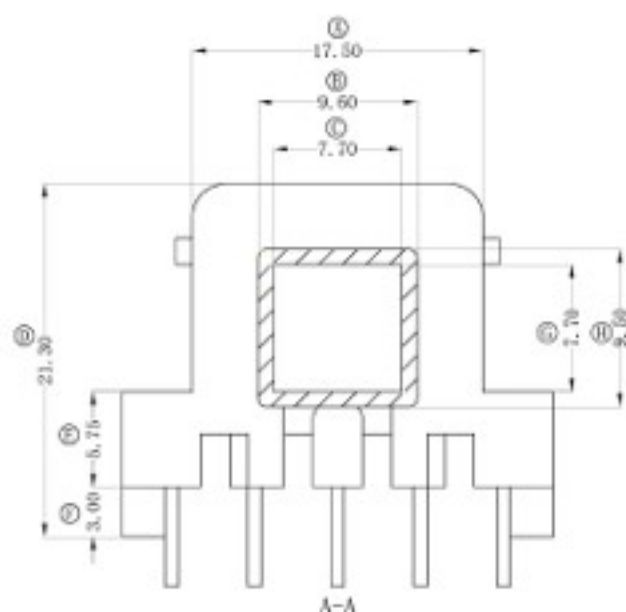
MM

DATE

2014.10.18

(TYPE)

006070252101103



**Self  
Electronic**

MODEL

EF25/13/7

5+5

NAME

MATERIAL

PHENOLIC

TEL

021-66745473  
021-66716806

TOLERANCE

SCALE

DRAW BY

FAX

021-66742368

0 &lt; L ≤ 4 ±0.1

4 &lt; L ≤ 16 ±0.2

16 &lt; L ≤ 63 ±0.3

Pin pitch ±0.2

4/1

CHECK BY

WEBSITE

selfelectronic.com

UNIT

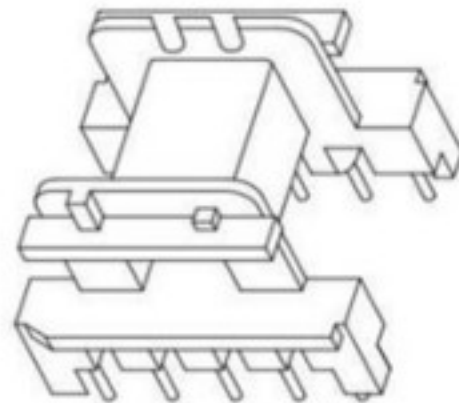
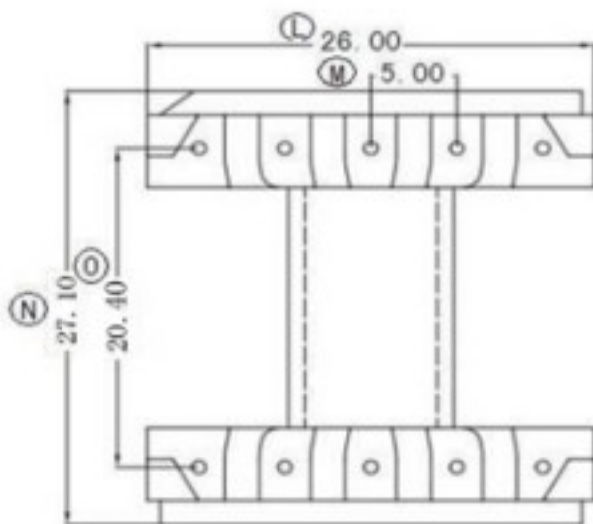
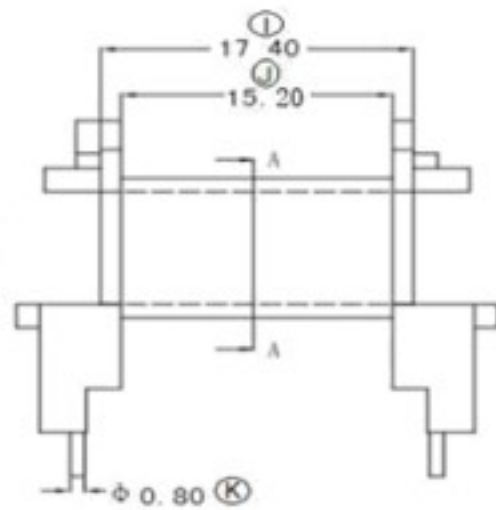
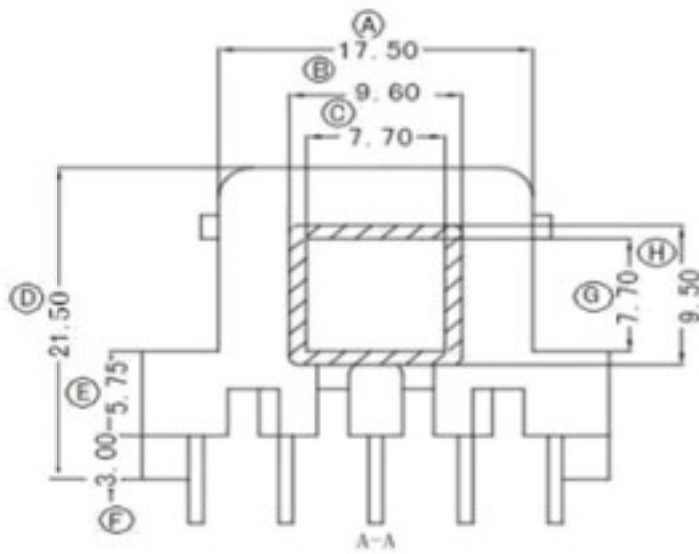
MM

DATE

2014.10.18

(TYPE)

029070252101101



**Self  
Electronic**

MODEL

EF25/13/7 5+5

NAME

5mm 20.4mm

MATERIAL

PHENOLIC

TEL

021-66745473  
021-66716806

TOLERANCE

SCALE

DRAW BY

FAX

021-66742368

 $0 < L \leq 4 \quad \pm 0.1$   
 $4 < L \leq 16 \quad \pm 0.2$ 

4/1

CHECK BY

WEBSITE

selfelectronic.com

 $16 < L \leq 63 \quad \pm 0.3$   
 Pin pitch  $\pm 0.2$ 

UNIT

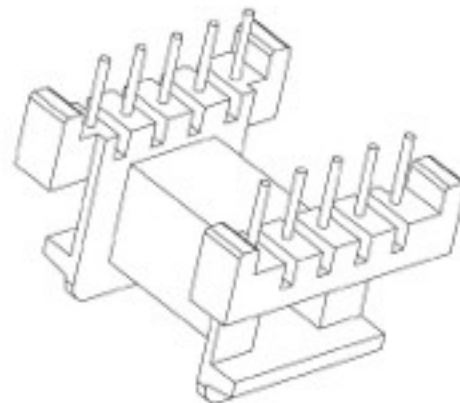
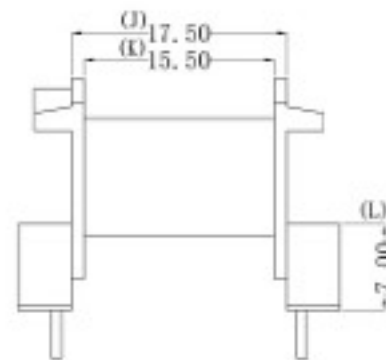
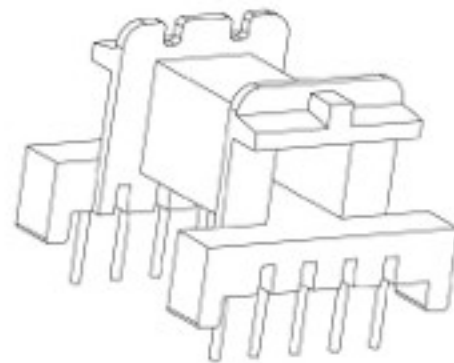
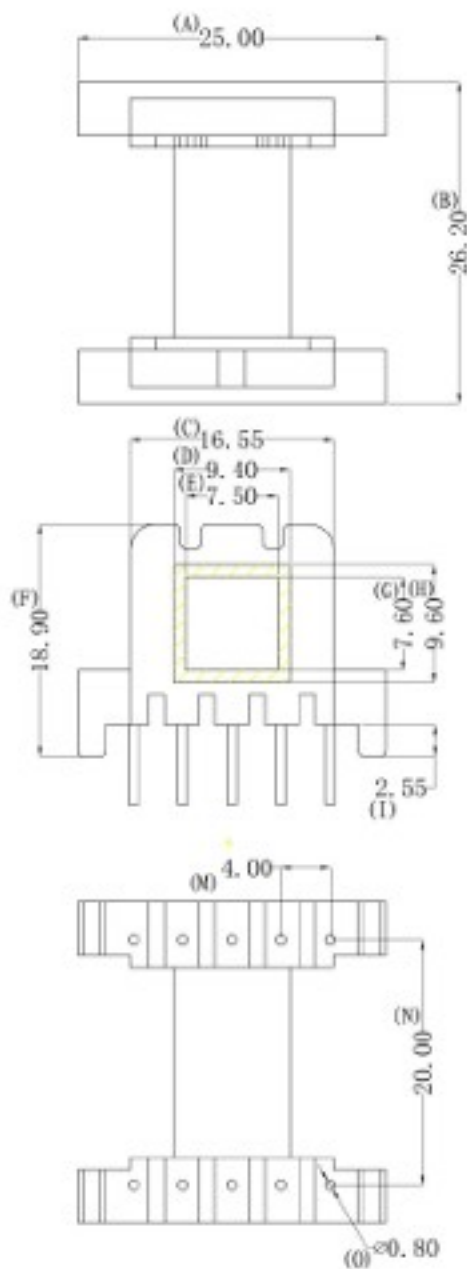
MM

DATE

2014.10.18

(TYPE)

029070252101105



**Self  
Electronic**

MODEL

EF25/13/7

5+5

NAME

20mm

4mm

MATERIAL

PHENOLIC

TEL

021-66745473  
021-66716806

TOLERANCE

SCALE

DRAW BY )

FAX

021-66742368

 $0 < L \leq 4 \quad \pm 0.1$   
 $4 < L \leq 16 \quad \pm 0.2$   
 $16 < L \leq 63 \quad \pm 0.3$   
 Pin pitch  $\pm 0.2$ 

4/1

CHECK BY H

WEBSITE

selfelectronic.com

UNIT

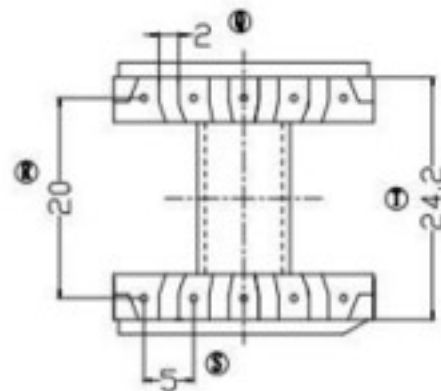
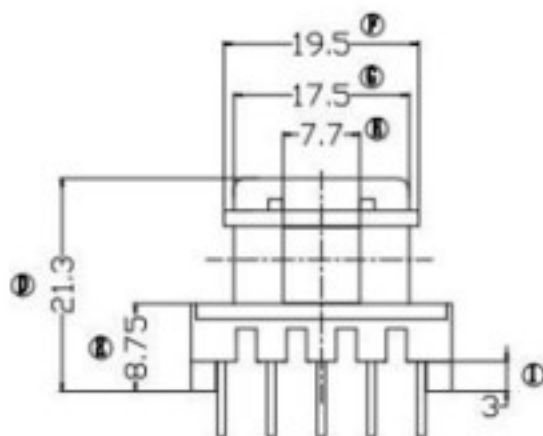
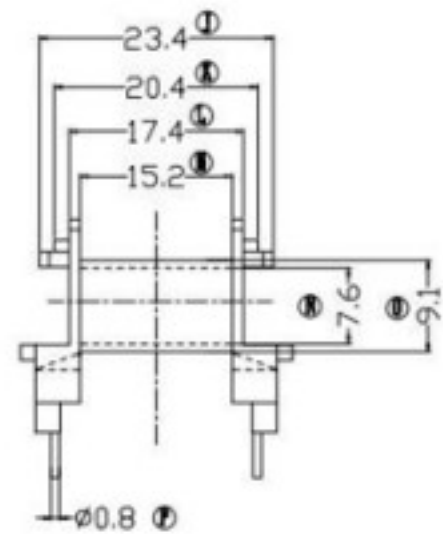
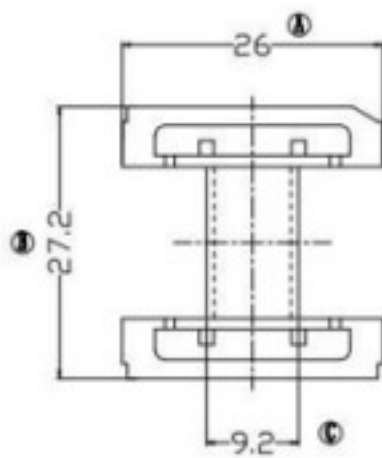
MM

DATE

2014.10.18

(TYPE)

031070252101002



**Self  
Electronic**

MODEL

EF25/13/7

5+5

NAME

20m

5mm

MATERIAL

PHENOLIC

TEL

021-66745473  
021-66716806

TOLERANCE

SCALE

DRAW BY )

FAX

021-66742368

 $0 < L \leq 4 \quad \pm 0.1$   
 $4 < L \leq 16 \quad \pm 0.2$ 

4/1

CHECK BY 日

WEBSITE

selfelectronic.com

 $16 < L \leq 63 \quad \pm 0.3$   
 Pin pitch  $\pm 0.2$ 

UNIT

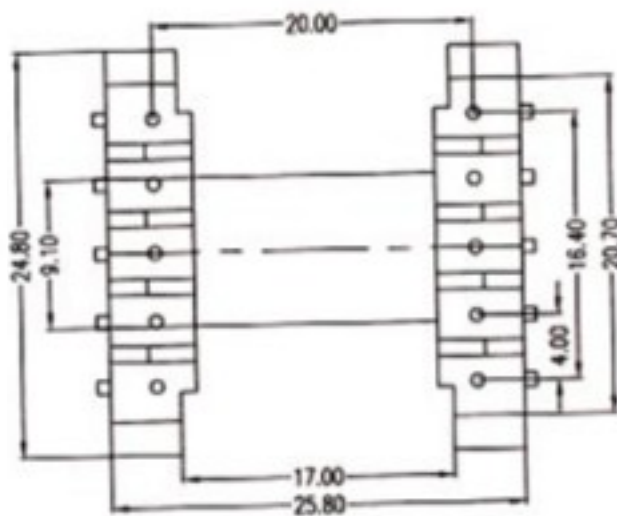
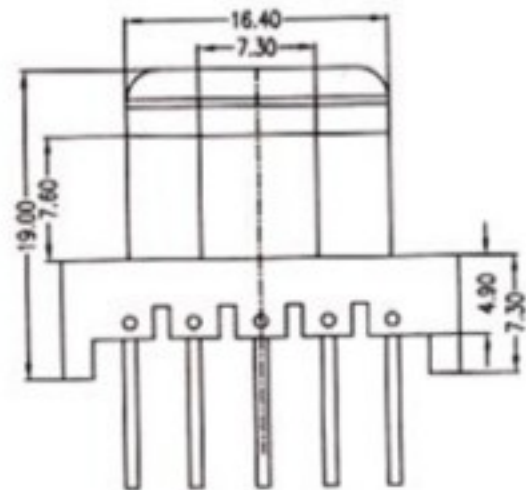
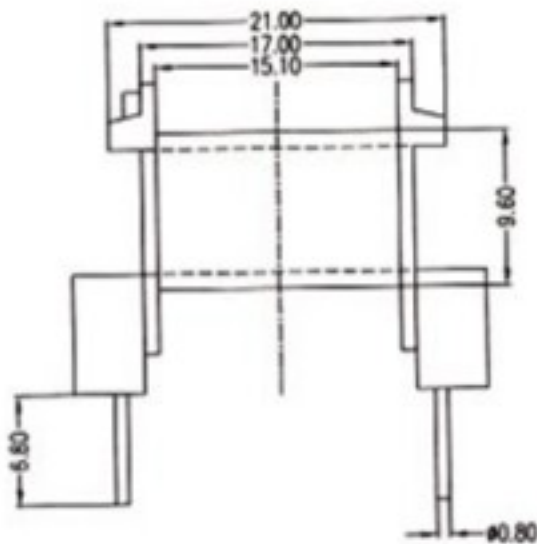
MM

DATE

2014.10.18

(TYPE)

001070252101001



**Self  
Electronic**

MODEL

EF25/13/7

5+5

MATERIAL

PHENOLIC

TEL

021-66745473  
021-66716806

TOLERANCE

SCALE

DRAW BY

FAX

021-66742368

 $0 < L \leq 4$   $\pm 0.1$   
 $4 < L \leq 16$   $\pm 0.2$ 

4/1

CHECK BY

WEBSITE

selfelectronic.com

 $16 < L \leq 63$   $\pm 0.3$   
 Pin pitch  $\pm 0.2$ 

UNIT

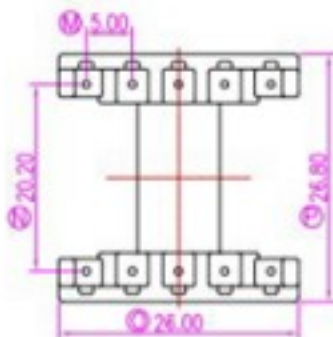
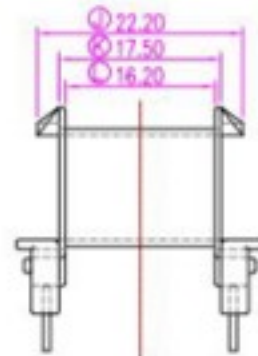
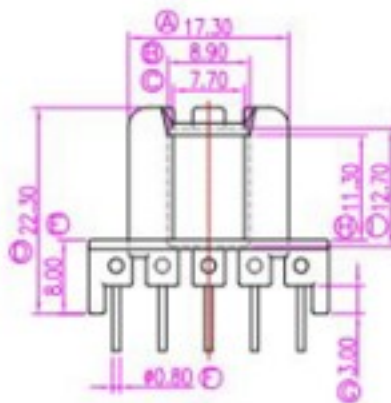
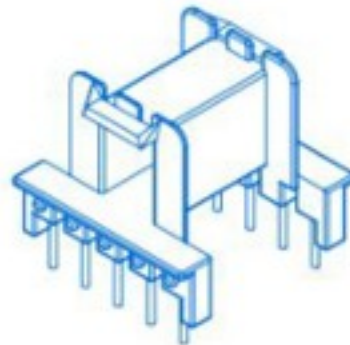
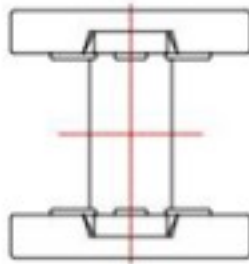
MM

DATE

2014.10.18

(TYPE)

081070252101001



**Self  
Electronic**

MODEL

EF25/13/11 5+5

NAME

20.2mm

MATERIAL

PHENOLIC

TEL

021-66745473  
021-66716806

TOLERANCE

SCALE

DRAW BY

FAX

021-66742368

 $0 < L \leq 4 \quad \pm 0.1$   
 $4 < L \leq 16 \quad \pm 0.2$   
 $16 < L \leq 63 \quad \pm 0.3$ 

4/1

CHECK BY

WEBSITE

selfelectronic.com

 $\text{Pin pitch} \quad \pm 0.2$ 

UNIT

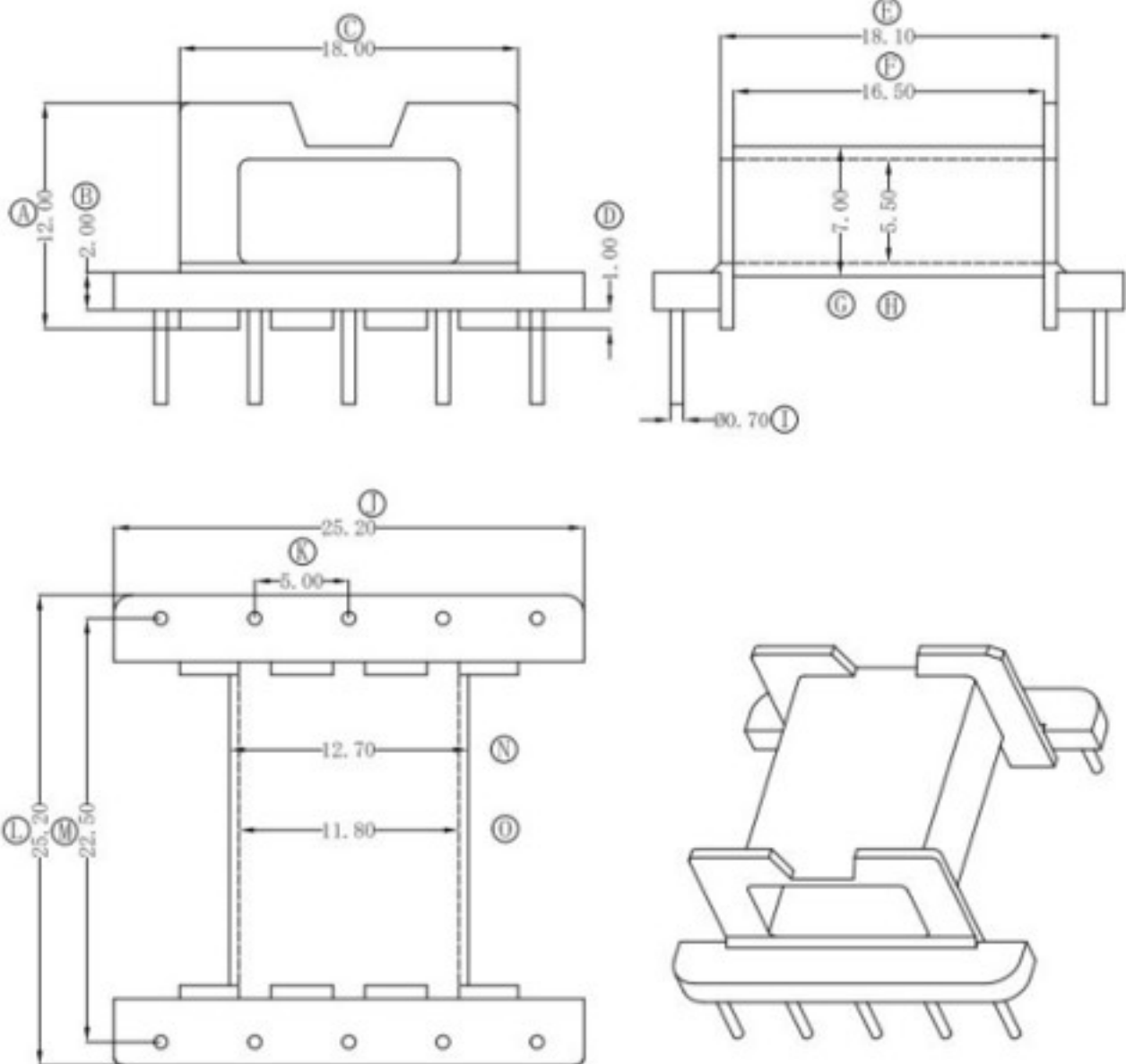
MM

DATE

2014.11.12

(TYPE)

006080252101005



**Self  
Electronic**

MODEL EFD25/12.5/9 5+5

NAME 12mm

MATERIAL PHENOLIC

TEL 021-66745473  
021-66716806

TOLERANCE

SCALE

DRAW BY

FAX 021-66742368

 $0 < L \leq 4 \quad \pm 0.1$   
 $4 < L \leq 16 \quad \pm 0.2$ 

4/1

CHECK BY

WEBSITE selfelectronic.com

 $16 < L \leq 63 \quad \pm 0.3$   
 Pin pitch  $\pm 0.2$ 

UNIT MM

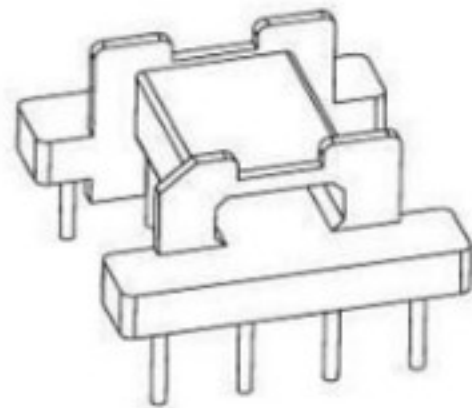
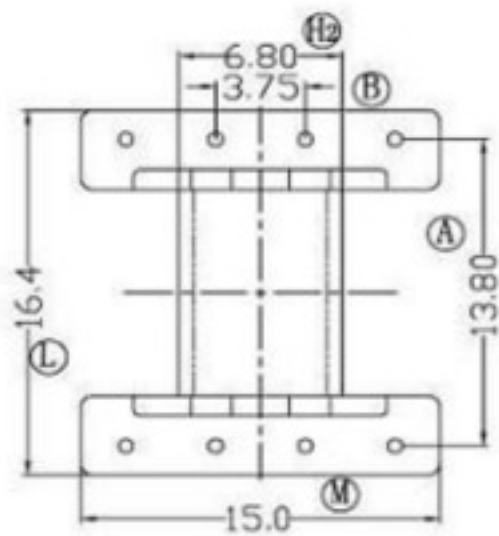
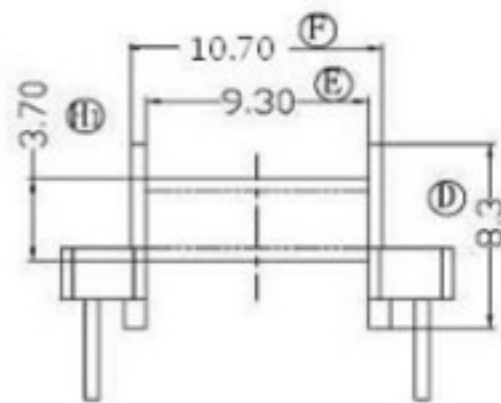
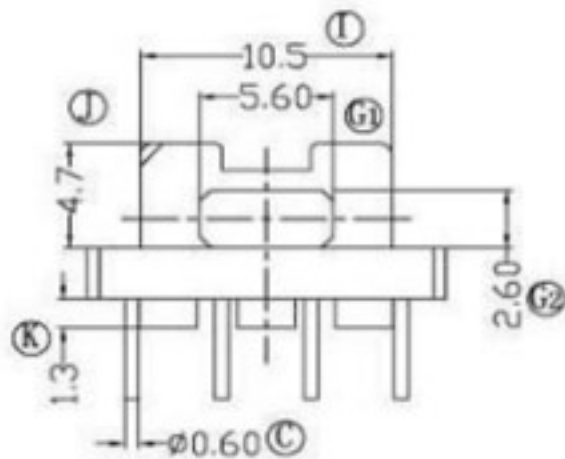
DATE

2015.11.12



(TYPE)

006080152081001



### Self Electronic

MODEL

EFD15/7.5/4.6

4+4

MATERIAL

PHENOLIC

TEL

021-66745473  
021-66716806

TOLERANCE

SCALE

DRAW BY

FAX

021-66742368

0 < L ≤ 4 ±0.1  
4 < L ≤ 16 ±0.2

4/1

CHECK BY

WEBSITE

selfelectronic.com

16 < L ≤ 63 ±0.3  
Pin pitch ±0.2

UNIT

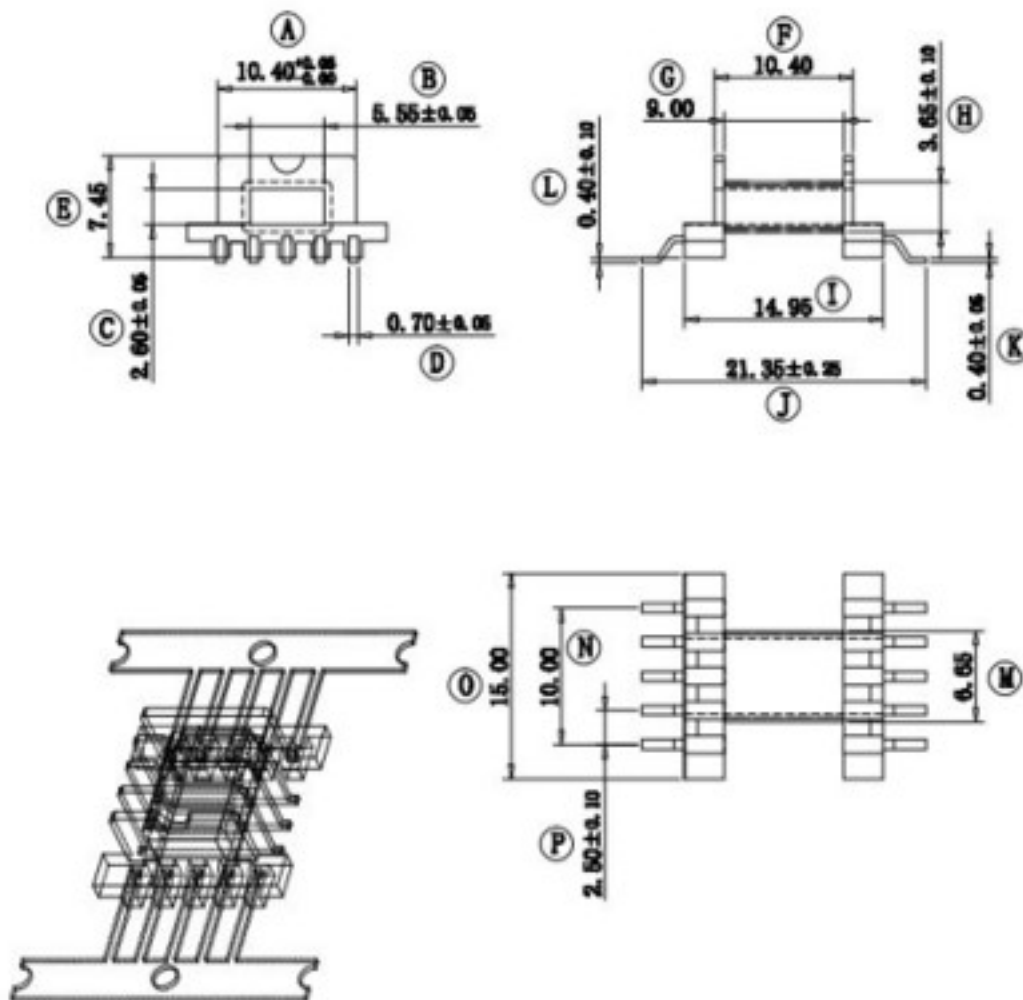
MM

DATE

2014.10.18

(TYPE)

007080152101001



**Self  
Electronic**

MODEL  
NAME

EFD15/7.5/4.6  
5+5-SMD(LCP)

MATERIAL

LCP E4008

TEL

021-66745473  
021-66716806

TOLERANCE

SCALE

DRAW BY

FAX

021-66742368

0 < L ≤ 4 ±0.1  
4 < L ≤ 16 ±0.2  
16 < L ≤ 63 ±0.3  
Pin pitch ±0.2

4/1

CHECK BY

WEBSITE

selfelectronic.com

UNIT

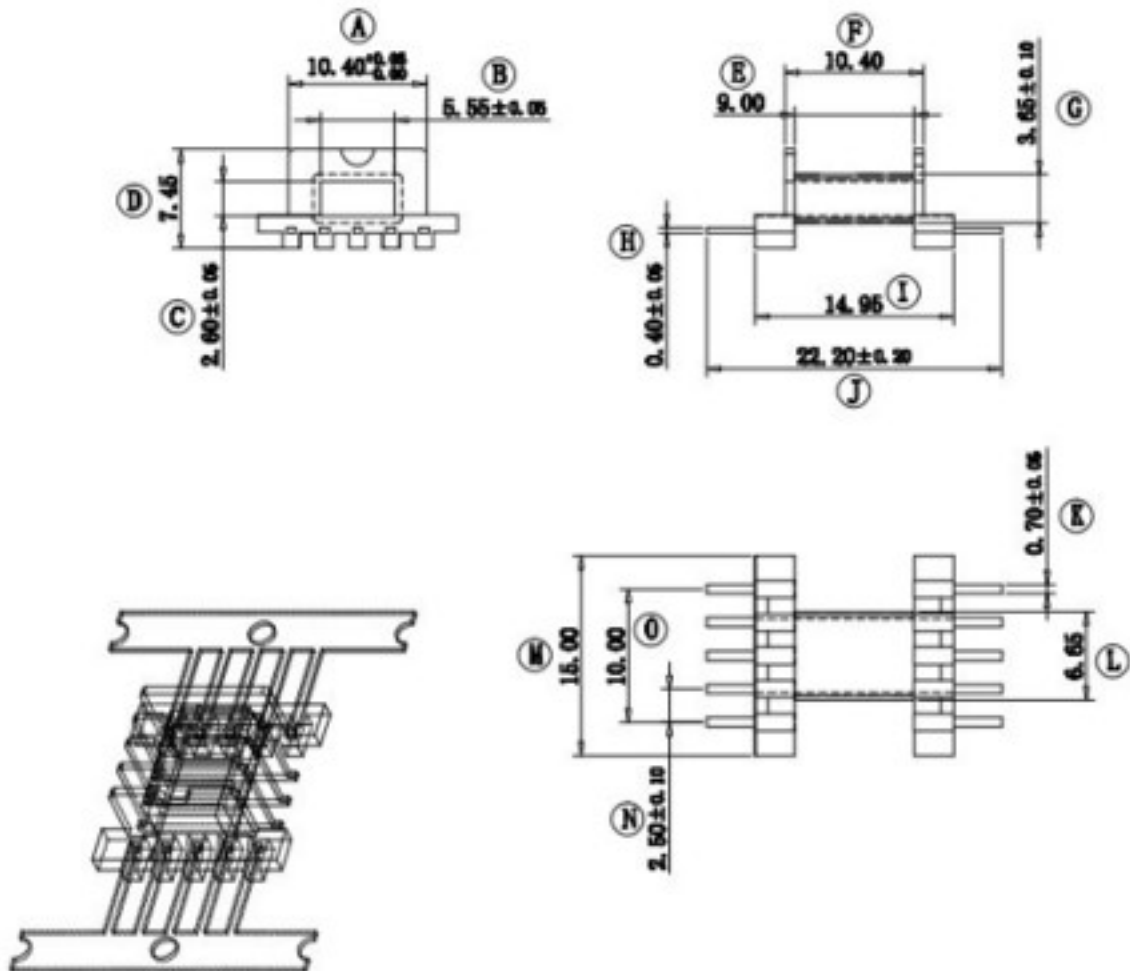
MM

DATE

2014.10.18

(TYPE)

007080152101002



**Self  
Electronic**

MODEL  
NAME

EFD15/7.5'4.6  
5+5-SMD (LCP)

MATERIAL

LCP E4008

TEL

021-66745473  
021-66716806

TOLERANCE

SCALE

DRAW BY

FAX

021-66742368

$0 < L \leq 4$   $\pm 0.1$   
 $4 < L \leq 16$   $\pm 0.2$   
 $16 < L \leq 63$   $\pm 0.3$   
 Pin pitch  $\pm 0.2$

4/1

CHECK BY

WEBSITE

selfelectronic.com

UNIT

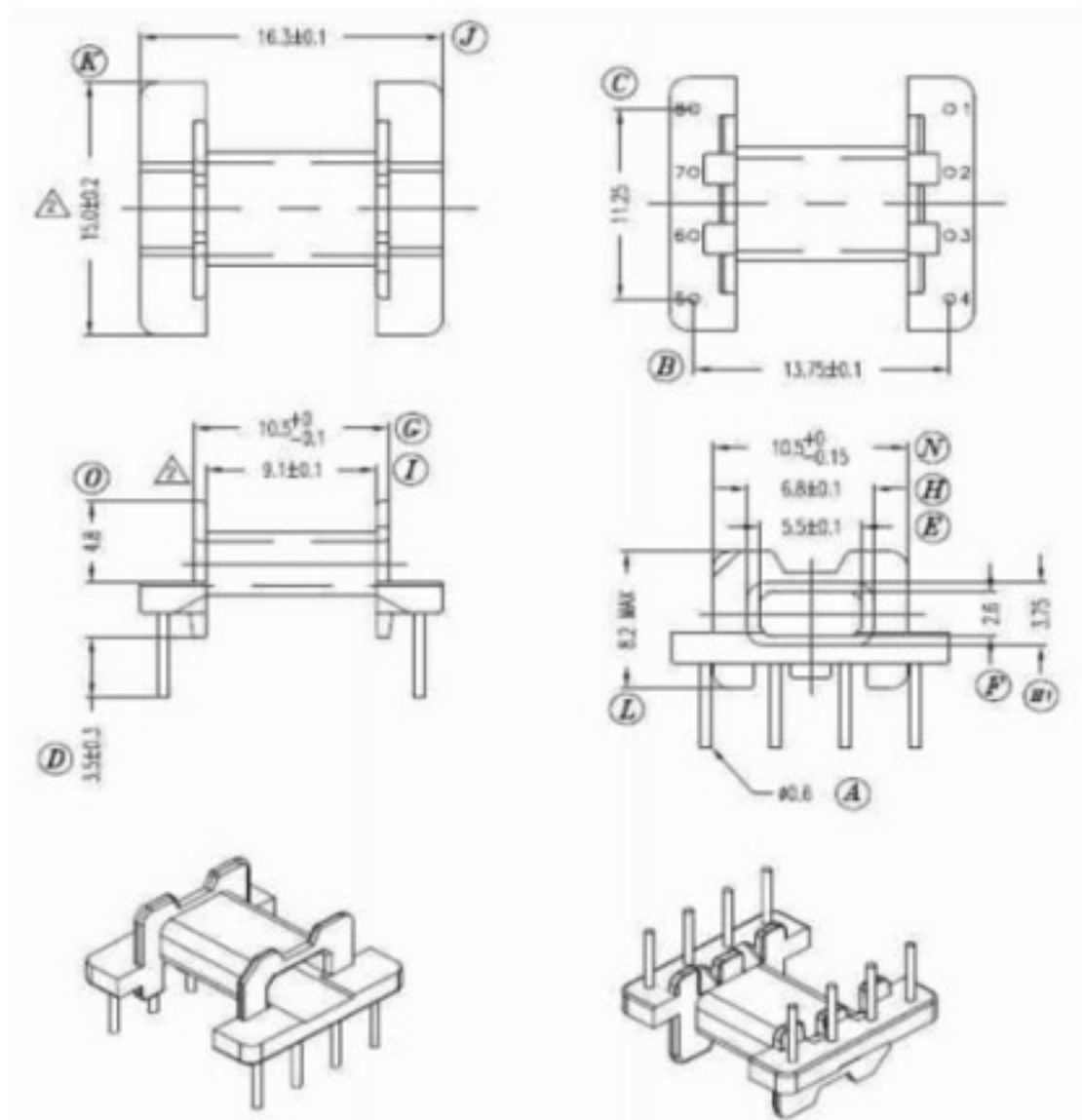
MM

DATE

2014.10.18

(TYPE)

007080152081001



### Self Electronic

MODEL EFD15/7.5/4.6 4+4

MATERIAL PHENOLIC

TEL

021-66745473  
021-66716806

TOLERANCE

SCALE

DRAW BY

FAX

021-66742368

0 < L ≤ 4 ±0.1  
4 < L ≤ 16 ±0.2

4/1

CHECK BY

WEBSITE

selfelectronic.com

16 < L ≤ 63 ±0.3  
Pin pitch ±0.2

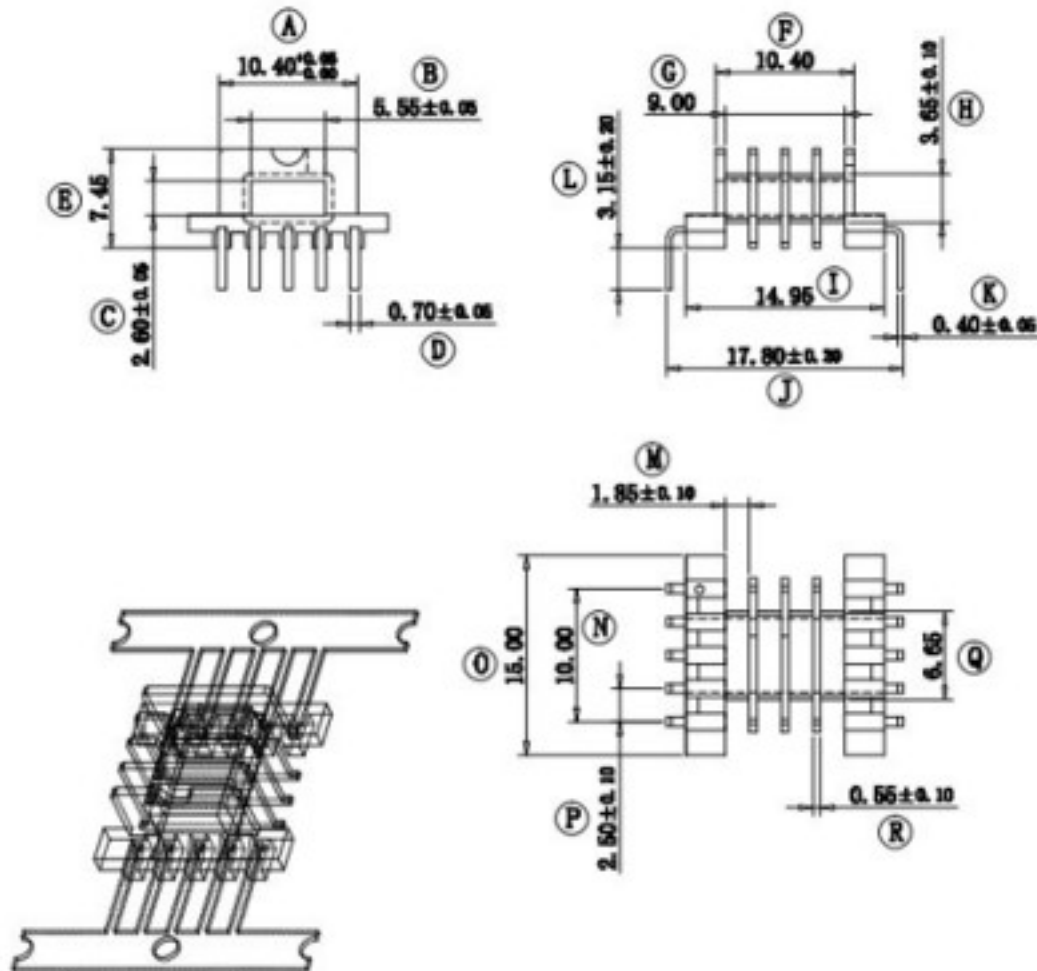
UNIT MM

DATE

2014.10.18

型号 (TYPE)

007080152104002



**Self  
Electronic**

MODEL  
NAME

EFD15/15/4.6  
5+5-SMI

MATERIAL

LCP E4008

TEL

021-66745473  
021-66716806

TOLERANCE

SCALE

DRAW BY

FAX

021-66742368

0 < L ≤ 4 ±0.1  
4 < L ≤ 16 ±0.2

4/1

CHECK BY

WEBSITE

selfelectronic.com

16 < L ≤ 63 ±0.3  
Pin pitch ±0.2

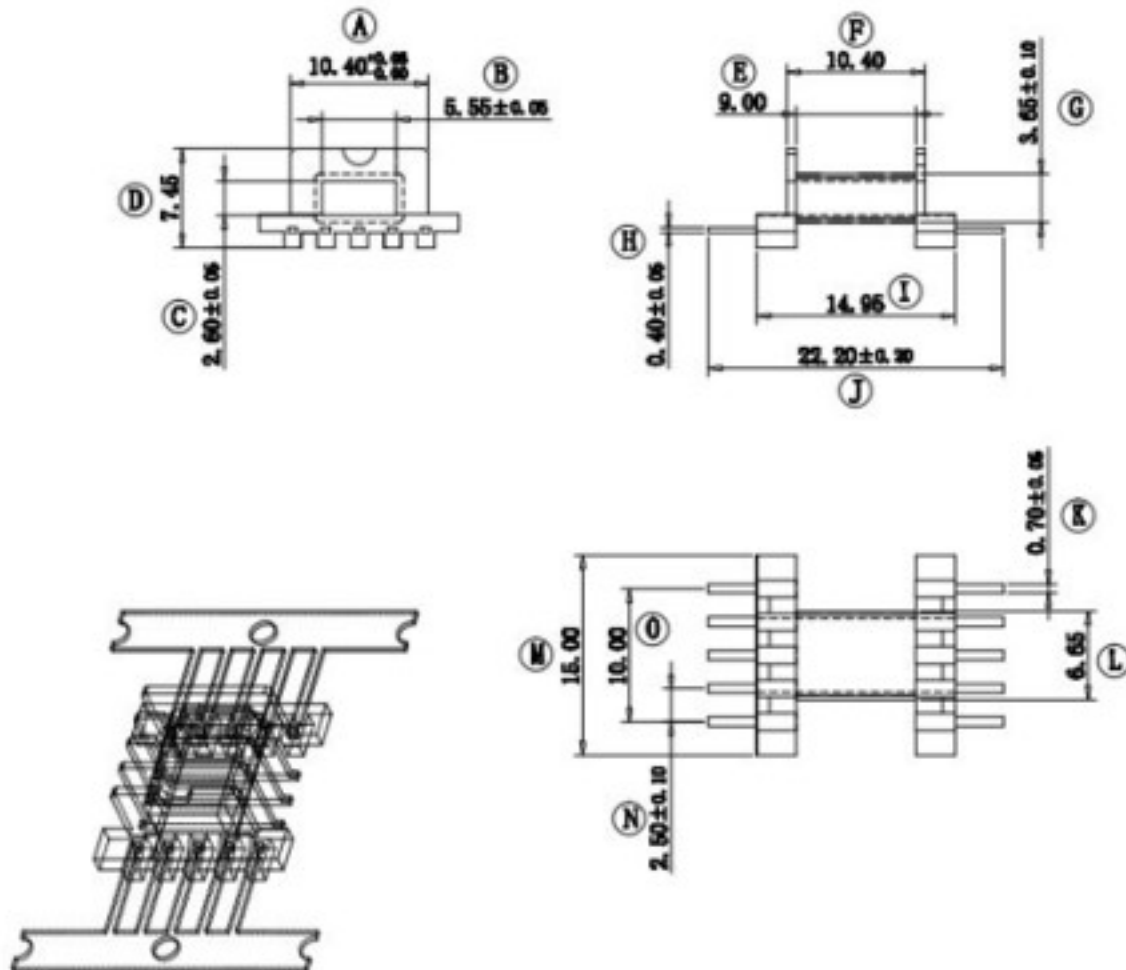
UNIT MM

DATE

2015.11.13

(TYPE)

007080152101002



**Self  
Electronic**

MODEL  
NAME

EFD15/7.5/4.6  
5+5-SMD (LCP)

MATERIAL

LCP E4008

TEL

021-66745473  
021-66716806

TOLERANCE

SCALE

DRAW BY

FAX

021-66742368

0 < L ≤ 4 ±0.1  
4 < L ≤ 16 ±0.2

4/1

CHECK BY

WEBSITE

selfelectronic.com

16 < L ≤ 63 ±0.3  
Pin pitch ±0.2

UNIT

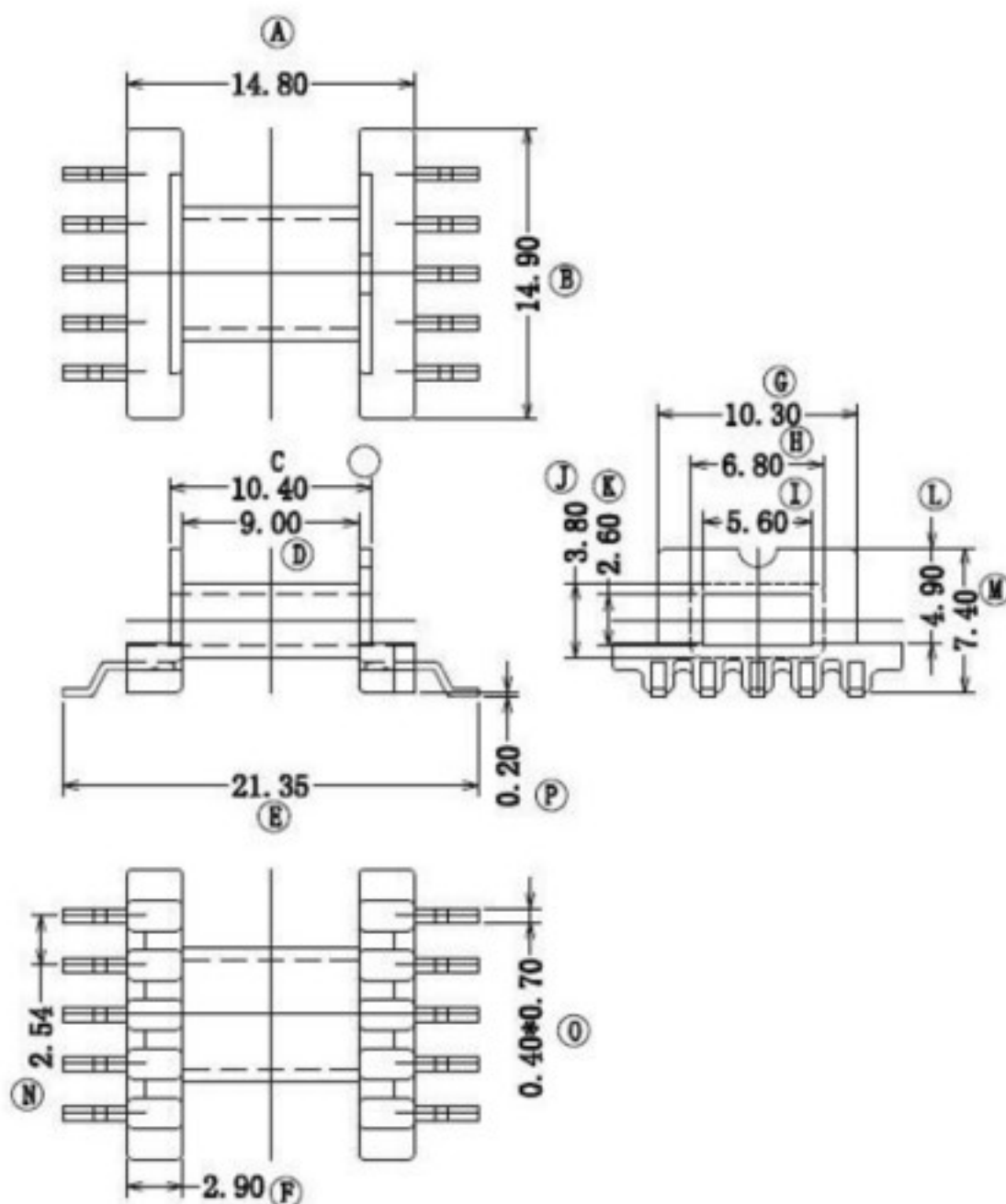
MM

DATE

2015.11.13

(TYPE)

007080152101001



**Self  
Electronic**

MODEL NAME

EFD15/15/4.6  
5+5-SMD

MATERIAL

LCPE4008

TEL

021-66745473  
021-66716806

TOLERANCE

SCALE

DRAW BY

FAX

021-66742368

 $0 < L \leq 4 \quad \pm 0.1$   
 $4 < L \leq 16 \quad \pm 0.2$ 

4/1

CHECK BY

WEBSITE

selfelectronic.com

 $16 < L \leq 63 \quad \pm 0.3$   
 Pin pitch  $\pm 0.2$ 

UNIT

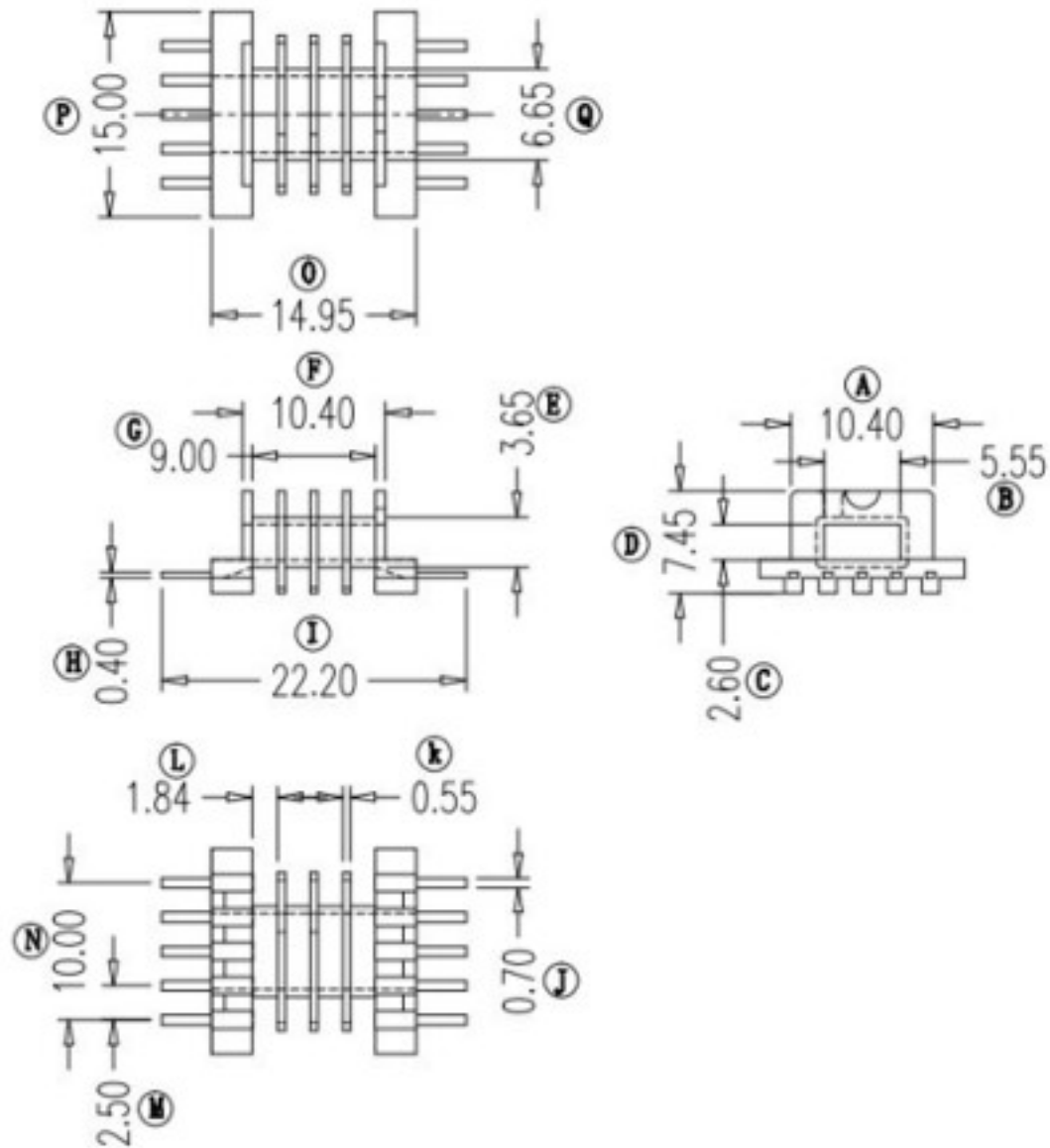
MM

DATE

2014.10.10

(TYPE)

007080152104004

**EFD-15****Self  
Electronic**MODEL  
NAMEEFD15/15/4.6  
5+5-SMD

MATERIAL

LCP

TEL

021-66745473  
021-66716806

TOLERANCE

SCALE

DRAW BY

FAX

021-66742368

 $0 < L \leq 4 \quad \pm 0.1$   
 $4 < L \leq 16 \quad \pm 0.2$   
 $16 < L \leq 63 \quad \pm 0.3$   
 Pin pitch  $\pm 0.2$ 

4/1

CHECK BY

WEBSITE

selfelectronic.com

UNIT MM

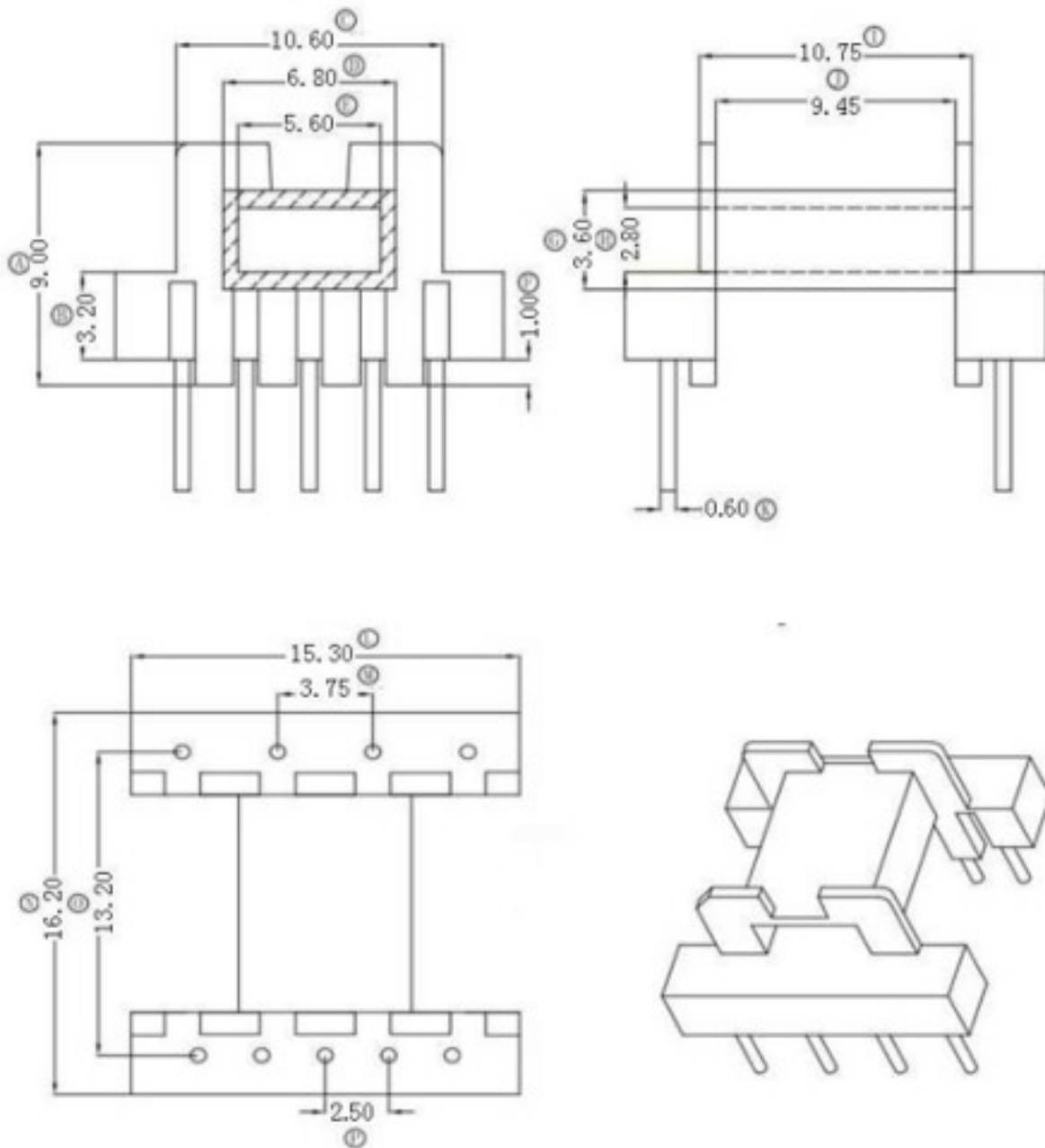
DATE

2014.10.10



(TYPE)

006080152091001



### Self Electronic

MODEL

EFD15/7.5/4

4+5

MATERIAL

PHENOLIC

TEL

021-66745473  
021-66716806

TOLERANCE

SCALE

DRAW BY

FAX

021-66742368

0 &lt;math&gt;L \le 4&lt;/math&gt; ±0.1

4 &lt;math&gt;L \le 16&lt;/math&gt; ±0.2

16 &lt;math&gt;L \le 63&lt;/math&gt; ±0.3

Pin pitch ±0.2

4/1

CHECK BY

WEBSITE

selfelectronic.com

UNIT

MM

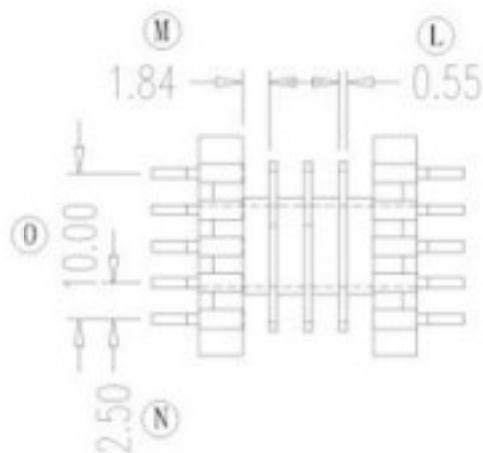
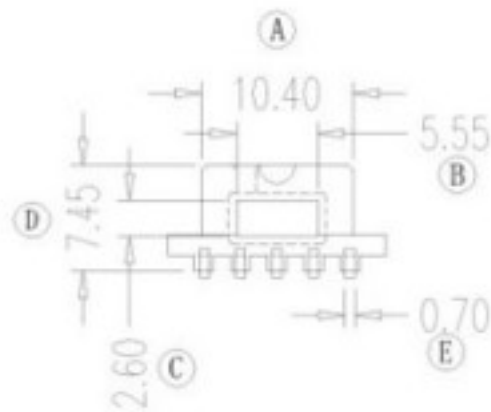
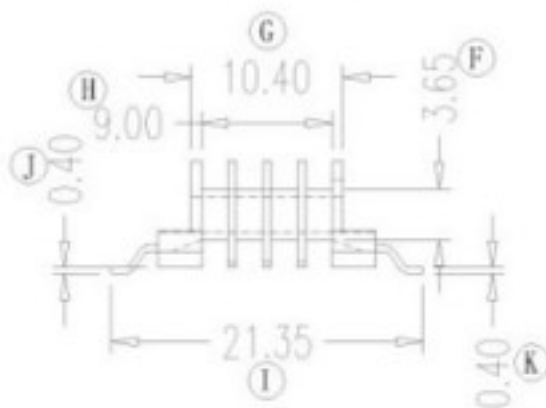
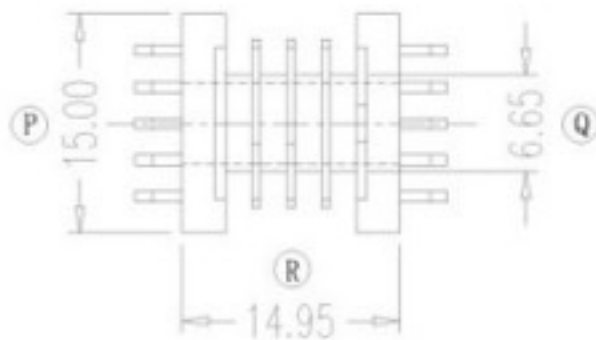
DATE

2014.10.18

(TYPE)

01000152104001

## EFD-15



**Self  
Electronic**

MODEL

EFD15/15/4.6

5+5

MATERIAL

PHENOLIC

TEL

021-66745473  
021-66716806

TOLERANCE

SCALE

DRAW BY

FAX

021-66742368

 $0 < L \leq 4 \quad \pm 0.1$   
 $4 < L \leq 16 \quad \pm 0.2$ 

4/1

CHECK BY

WEBSITE

selfelectronic.com

 $16 < L \leq 63 \quad \pm 0.3$   
 Pin pitch  $\pm 0.2$ 

UNIT

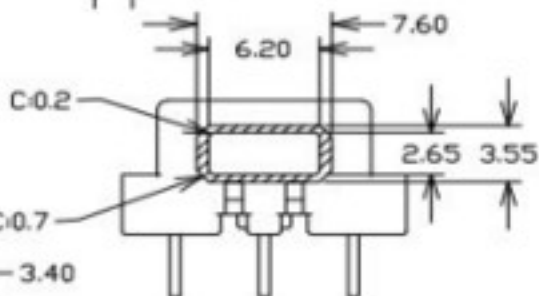
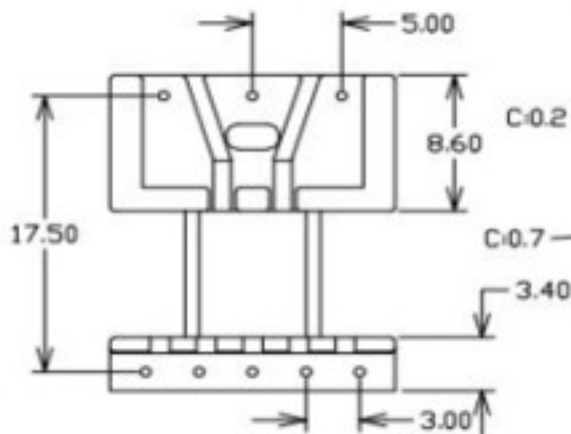
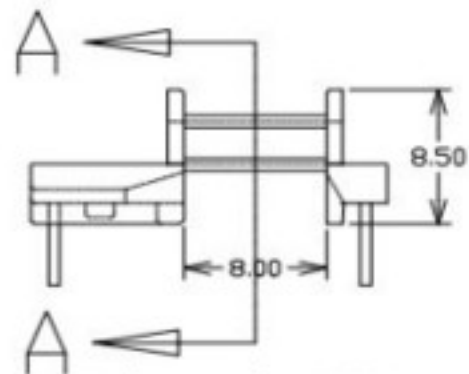
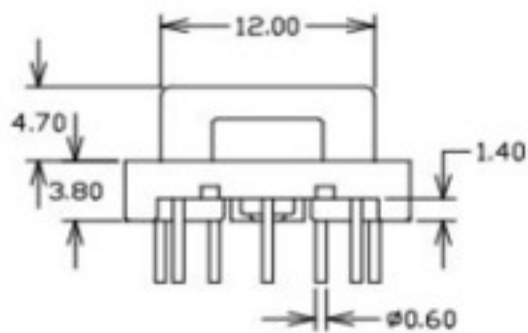
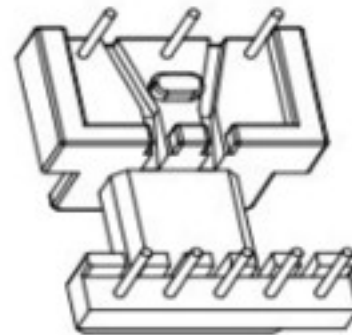
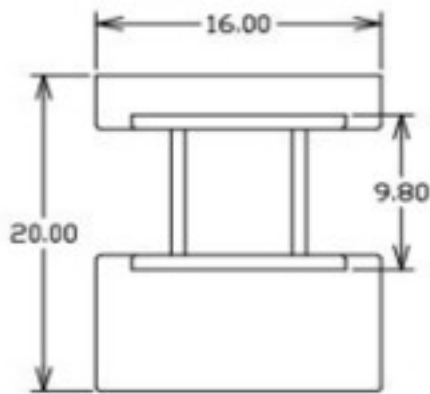
MM

DATE

2015.11.13

(TYPE)

081080162071103



**Self  
Electronic**

MODEL

EFD16 5+3

MATERIAL

PHENOLIC

TEL

021-66745473  
021-66716806

TOLERANCE

SCALE

DRAW BY

FAX

021-66742368

 $0 < L \leq 4 \quad \pm 0.1$   
 $4 < L \leq 16 \quad \pm 0.2$   
 $16 < L \leq 63 \quad \pm 0.3$   
 Pin pitch  $\pm 0.2$ 

4/1

CHECK BY

WEBSITE

selfelectronic.com

UNIT

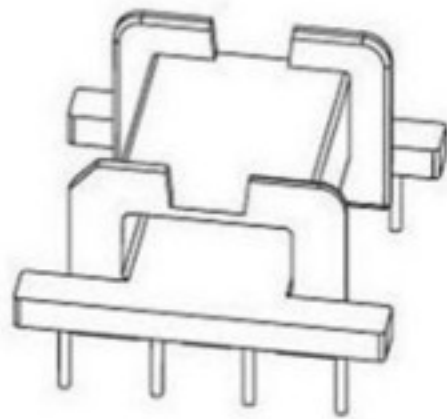
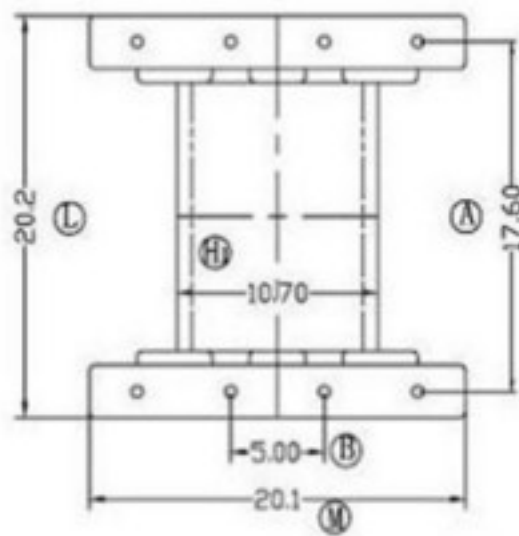
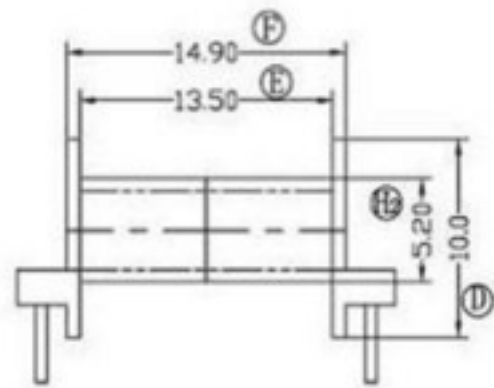
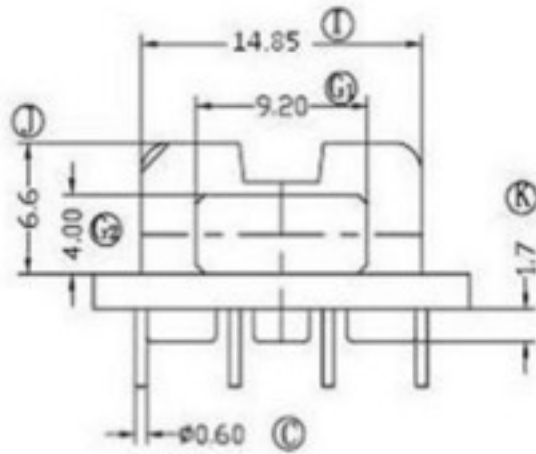
MM

DATE

2015.11.13

(TYPE)

029080202081001



### Self Electronic

MODEL

EFD20/10/6

4+4

MATERIAL

PHENOLIC

TEL

021-66745473  
021-66716806

TOLERANCE

SCALE

DRAW BY

FAX

021-66742368

0 &lt; L ≤ 4 ±0.1

4 &lt; L ≤ 16 ±0.2

16 &lt; L ≤ 63 ±0.3

Pin pitch ±0.2

4/1

CHECK BY

WEBSITE

selfelectronic.com

UNIT

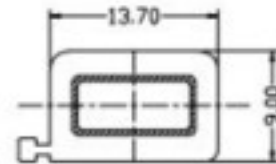
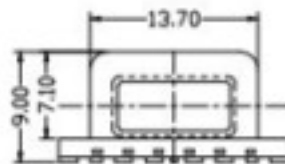
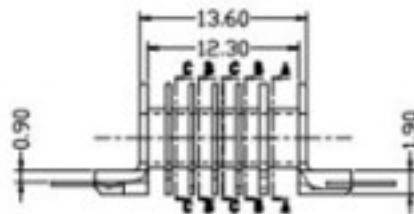
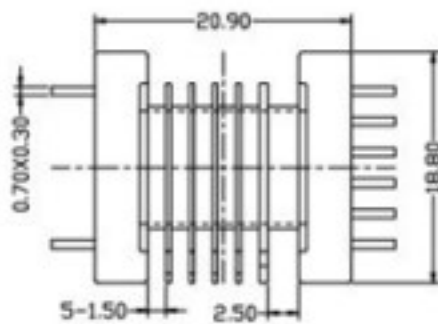
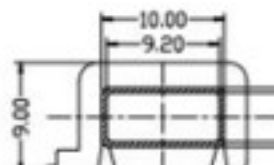
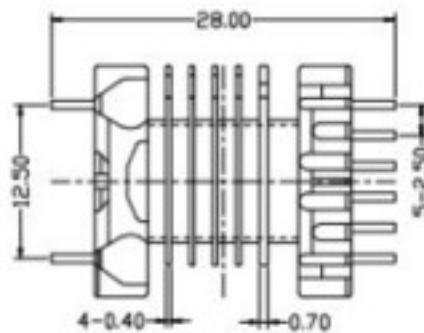
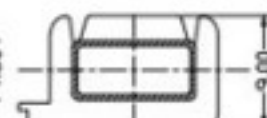
MM

DATE

2014.10.18

(TYPE)

007080202086001

**EFD-20****B-A SECTION****B-B SECTION****B-C SECTION****Self  
Electronic**

MODEL

EFD20/10/6.6 6  
2+6

MATERIAL

LPC E4008

TEL

021-66745473  
021-66716806

TOLERANCE

SCALE

DRAW BY

FAX

021-66742368

0 < L ≤ 4 ±0.1  
4 < L ≤ 16 ±0.2

4/1

CHECK BY

WEBSITE

selfelectronic.com

16 < L ≤ 63 ±0.3  
Pin pitch ±0.2

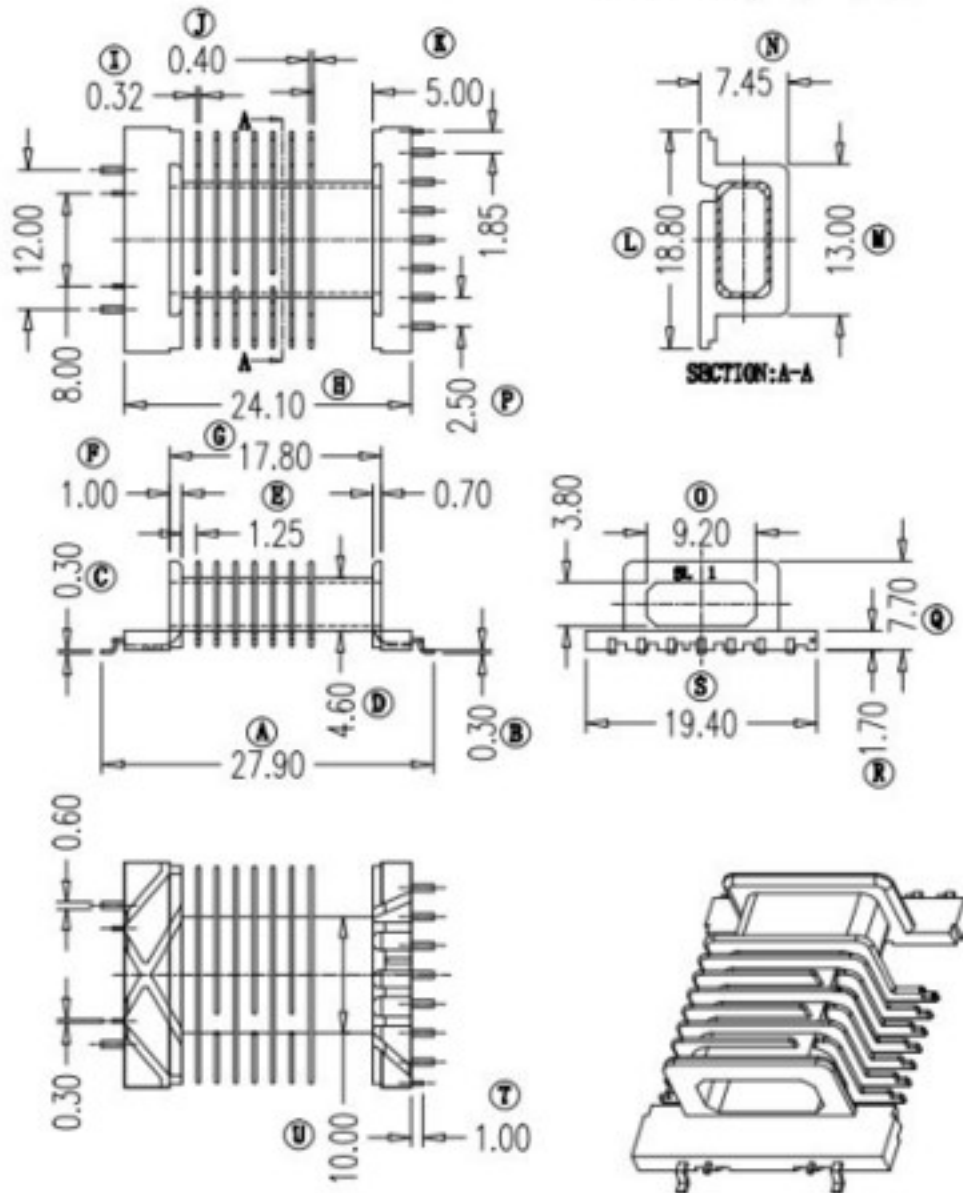
UNIT MM

DATE

2015.11.13

(TYPE)

007080202098001

**EFD-20****Self  
Electronic**

MODEL

EFD20/20/6.6 7+1  
2+7-SMD

MATERIAL

LPC E4008

TEL

021-66745473  
021-66716806

TOLERANCE

SCALE

DRAW BY

FAX

021-66742368

 $0 < L \leq 4$   $\pm 0.1$   
 $4 < L \leq 16$   $\pm 0.2$ 

4/1

CHECK BY

WEBSITE

selfelectronic.com

 $16 < L \leq 63$   $\pm 0.3$   
 Pin pitch  $\pm 0.2$ 

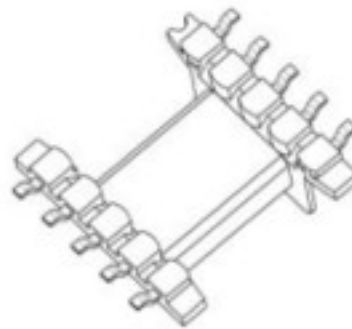
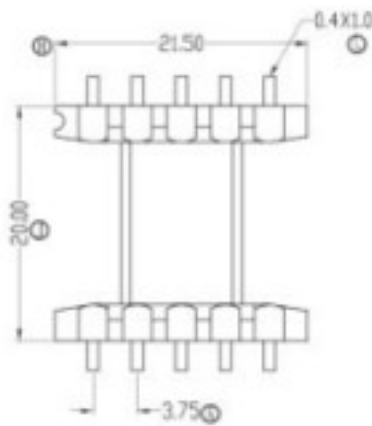
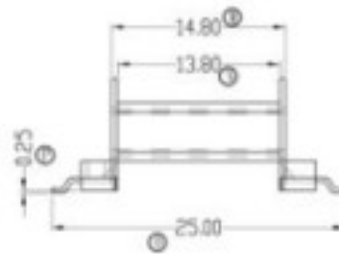
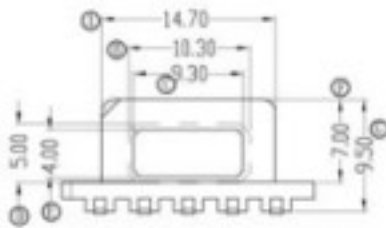
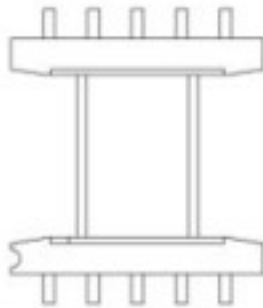
UNIT MM

DATE

2015.11.13

(TYPE)

007080202101001



**Self  
Electronic**

MODEL

EFD20/10/6.6 5+5  
SMD

MATERIAL

LPC E4008

TEL

021-66745473  
021-66716806

TOLERANCE

SCALE

DRAW BY

FAX

021-66742368

 $0 < L \leq 4 \quad \pm 0.1$   
 $4 < L \leq 16 \quad \pm 0.2$ 

4/1

CHECK BY

WEBSITE

selfelectronic.com

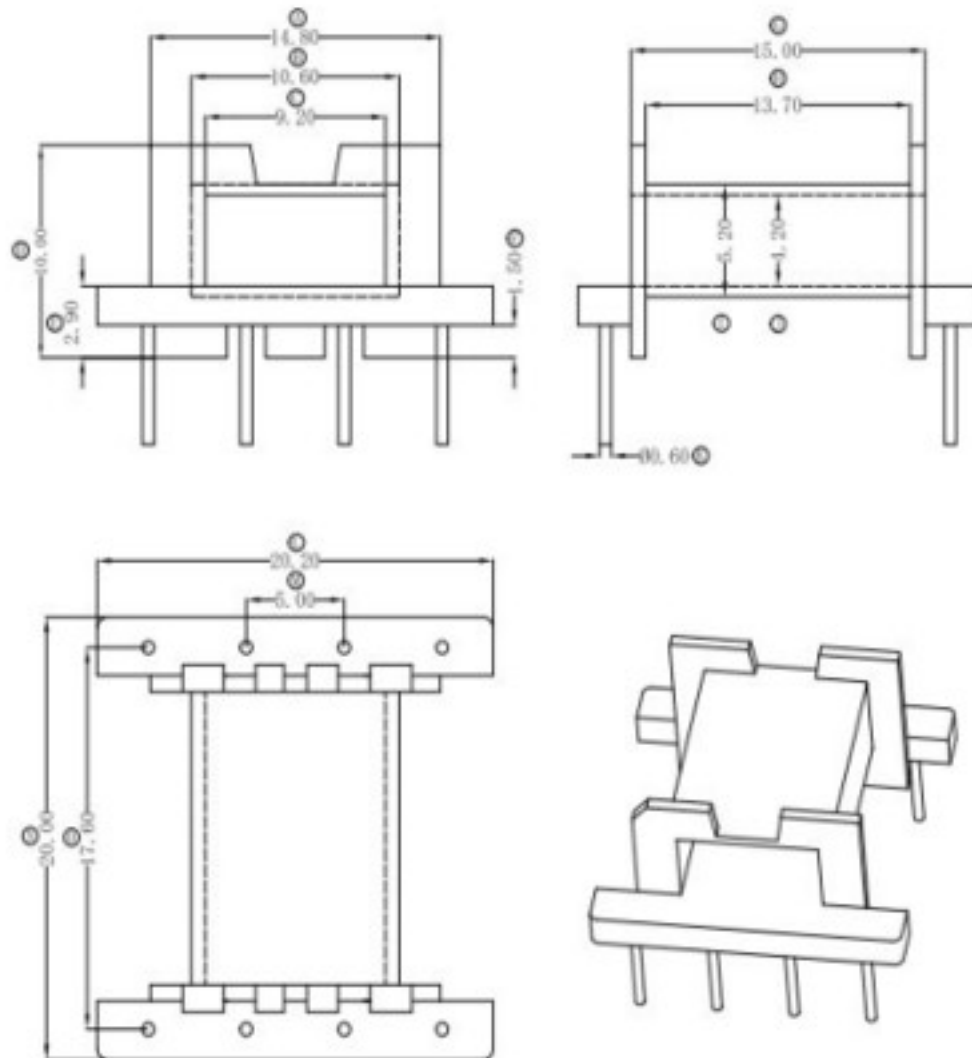
 $16 < L \leq 63 \quad \pm 0.3$   
 Pin pitch  $\pm 0.2$ 

UNIT MM

DATE 2015.11.13

(TYPE)

006080202081001



**Self  
Electronic**

MODEL

EFD20/10/6

4+4

MATERIAL

PHENOLIC

TEL

021-66745473  
021-66716806

TOLERANCE

SCALE

DRAW BY

FAX

021-66742368

0 &lt; L ≤ 4 ±0.1

4 &lt; L ≤ 16 ±0.2

16 &lt; L ≤ 63 ±0.3

Pin pitch ±0.2

4/1

CHECK BY

WEBSITE

selfelectronic.com

UNIT

MM

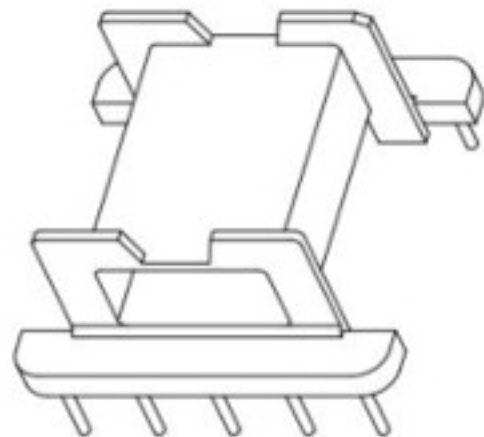
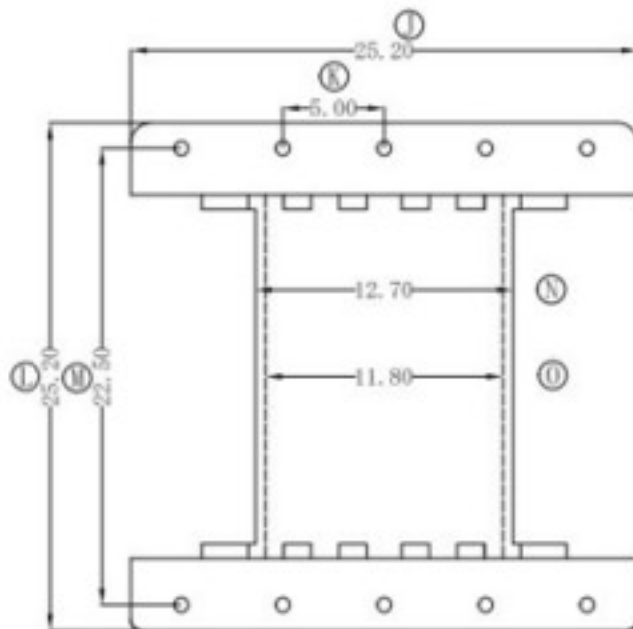
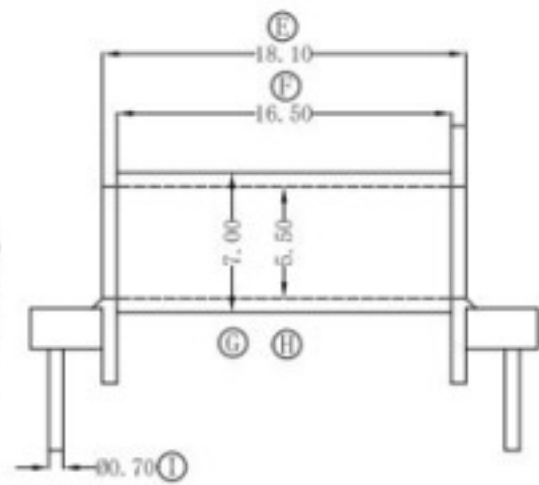
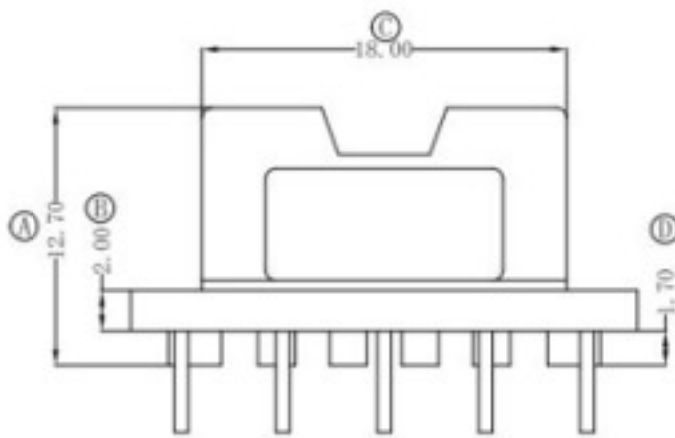
DATE

2014.11.12



(TYPE)

006080252101002



**Self  
Electronic**

MODEL

EFD25/12.5/9 5+5

NAME

12.7mm

MATERIAL

PHENOLIC

TEL

021-66745473  
021-66716806

TOLERANCE

SCALE

DRAW BY

FAX

021-66742368

0 &lt;math&gt;L \leq 4&lt;/math&gt; ±0.1

4 &lt;math&gt;L \leq 16&lt;/math&gt; ±0.2

16 &lt;math&gt;L \leq 63&lt;/math&gt; ±0.3

Pin pitch ±0.2

4/1

CHECK BY

WEBSITE

selfelectronic.com

UNIT

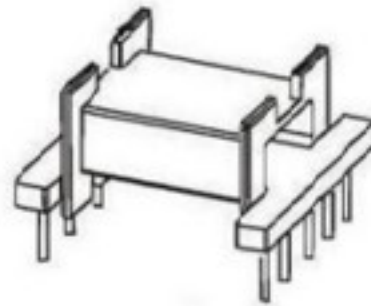
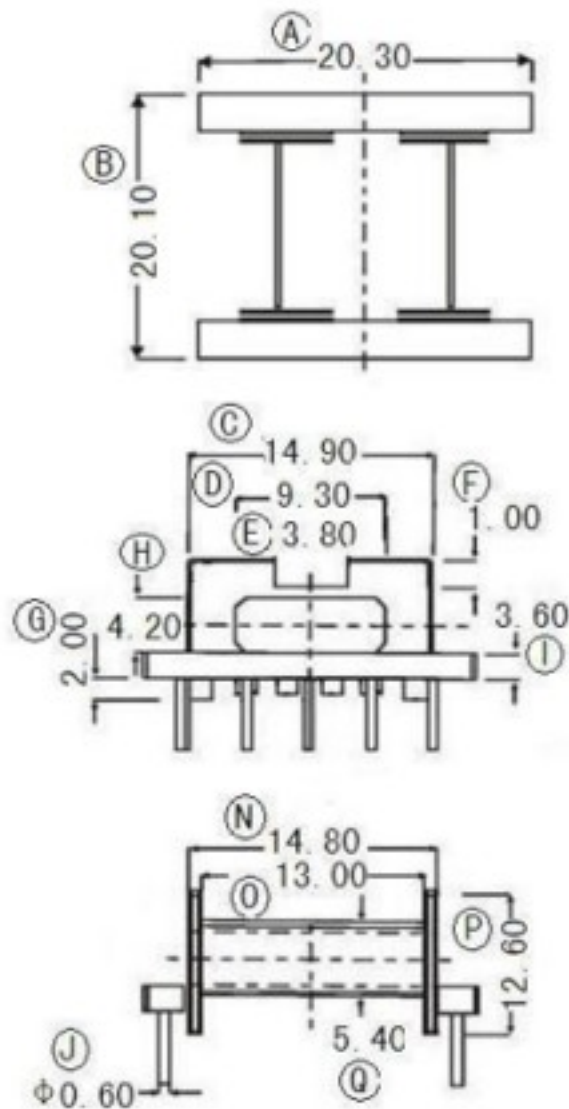
MM

DATE

2015.11.12

(TYPE)

004080202101001



### Self Electronic

MODEL

EFD20/10/6

5+5

MATERIAL

PHENOLIC

TEL

021-66745473  
021-66716806

TOLERANCE

SCALE

DRAW BY

FAX

021-66742368

0 &lt; L ≤ 4 ±0.1

4 &lt; L ≤ 16 ±0.2

16 &lt; L ≤ 63 ±0.3

Pin pitch ±0.2

4/1

CHECK BY

WEBSITE

selfelectronic.com

UNIT

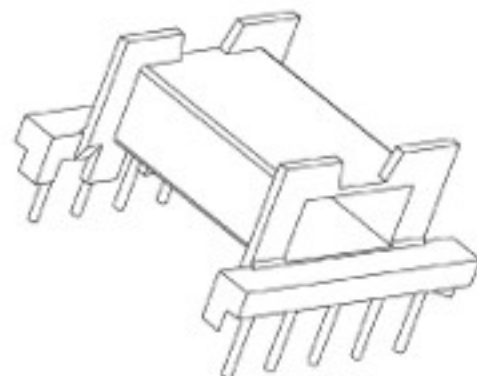
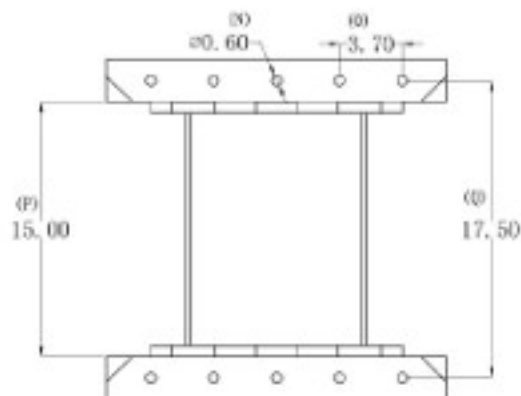
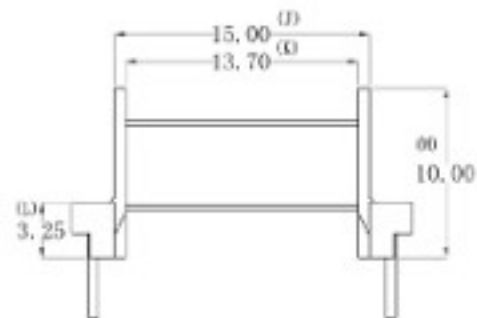
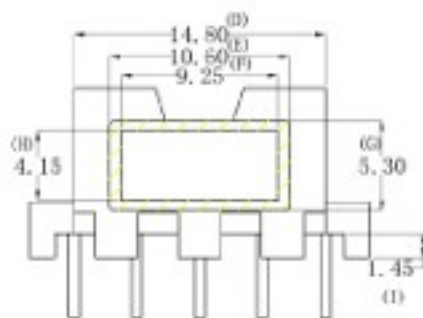
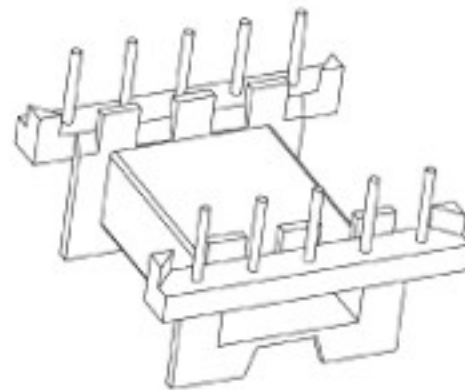
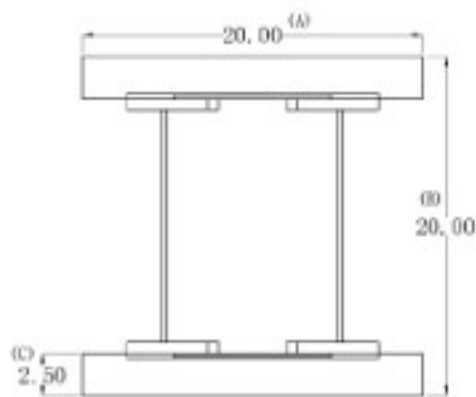
MM

DATE

2014.10.18

(TYPE)

029080202101001



**Self  
Electronic**

MODEL

EFD20/10/6

5+5

MATERIAL

PHENOLIC

TEL

021-66745473  
021-66716806

TOLERANCE

 $0 < L \leq 4 \quad \pm 0.1$   
 $4 < L \leq 16 \quad \pm 0.2$   
 $16 < L \leq 63 \quad \pm 0.3$   
 Pin pitch  $\pm 0.2$ 

SCALE

DRAW BY

FAX

021-66742368

4/1

CHECK BY

WEBSITE

selfelectronic.com

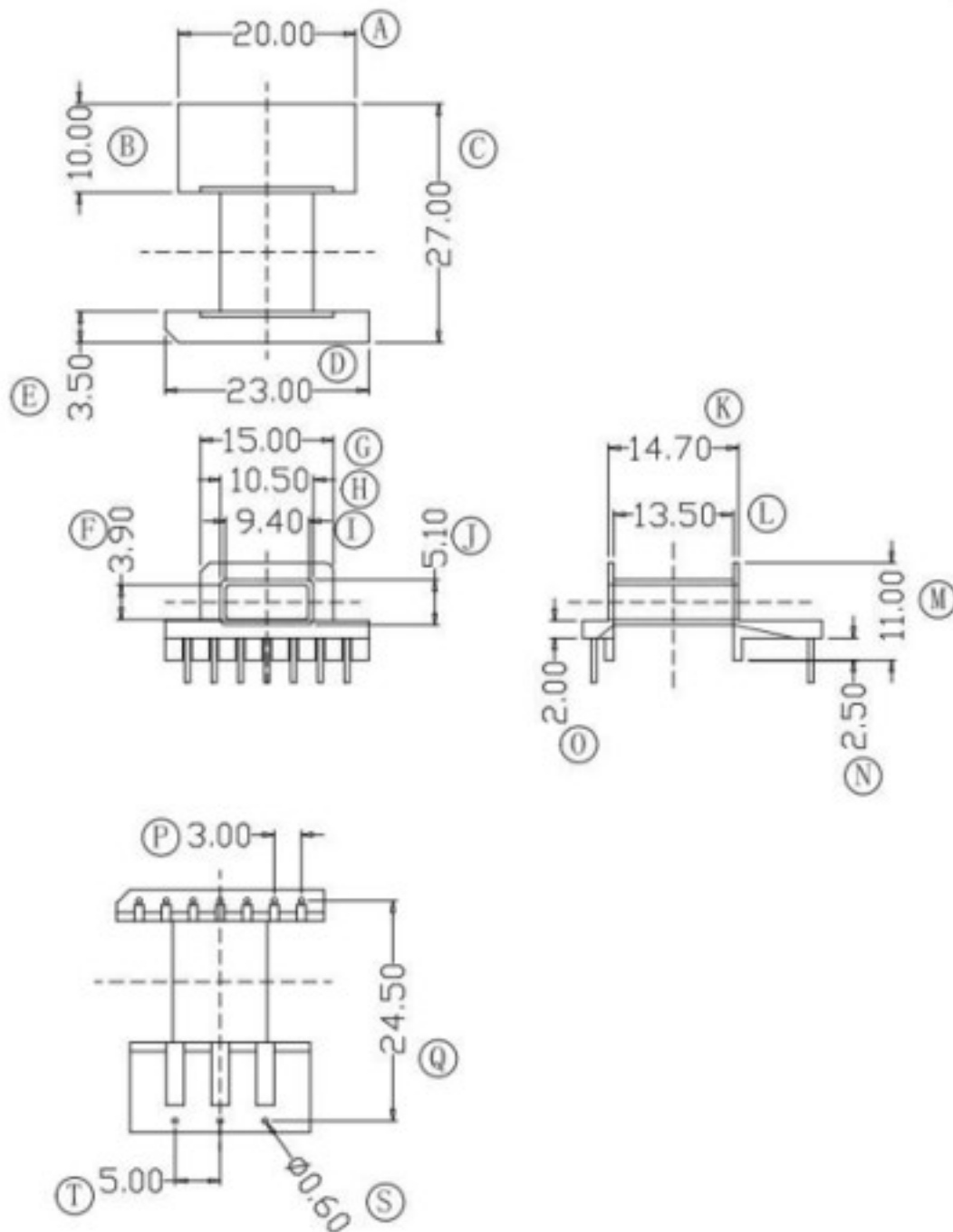
UNIT

MM

DATE

2014.10.18

(TYPE) 006080202101101



### Self Electronic

MODEL EFD20 7+3

MATERIAL PHENOLIC

TEL 021-66745473  
021-66716806

TOLERANCE

SCALE

DRAW BY

FAX 021-66742368

0 &lt; L ≤ 4 ±0.1

4 &lt; L ≤ 16 ±0.2

16 &lt; L ≤ 63 ±0.3

Pin pitch ±0.2

4/1

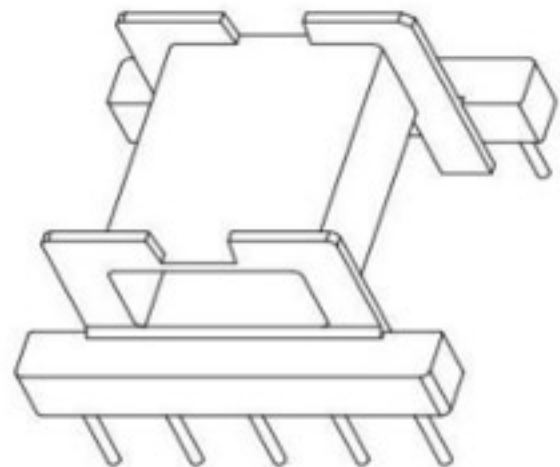
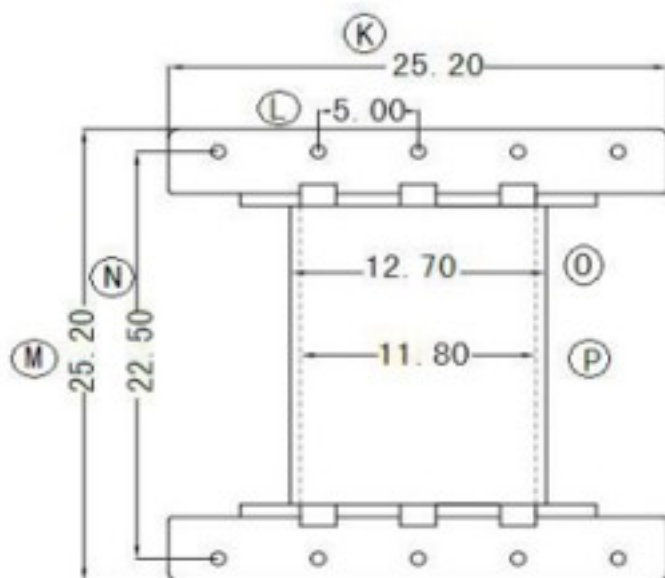
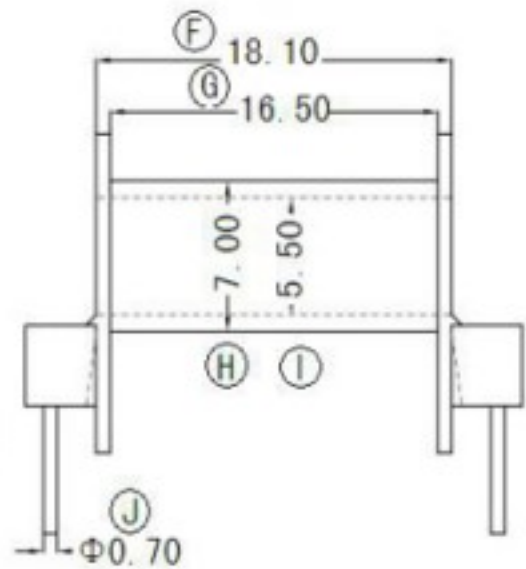
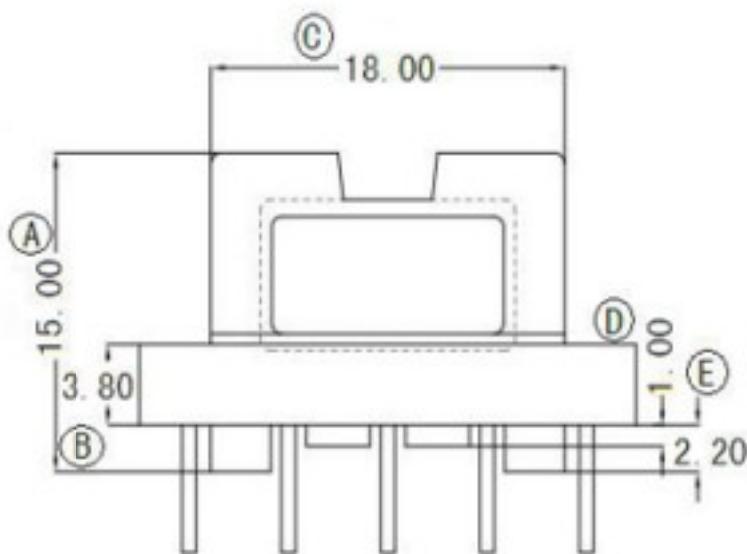
CHECK BY

WEBSITE selfelectronic.com

UNIT MM

DATE 2014.10.18

(TYPE) 006080252101001



**Self  
Electronic**

MODEL EFD25/12.5/9 5+5

MATERIAL PHENOLIC

TEL 021-66745473  
021-66716806

TOLERANCE

SCALE

DRAW BY

FAX 021-66742368

0 < L ≤ 4 ±0.1  
4 < L ≤ 16 ±0.2

4/1

CHECK BY

WEBSITE selfelectronic.com

16 < L ≤ 63 ±0.3  
Pin pitch ±0.2

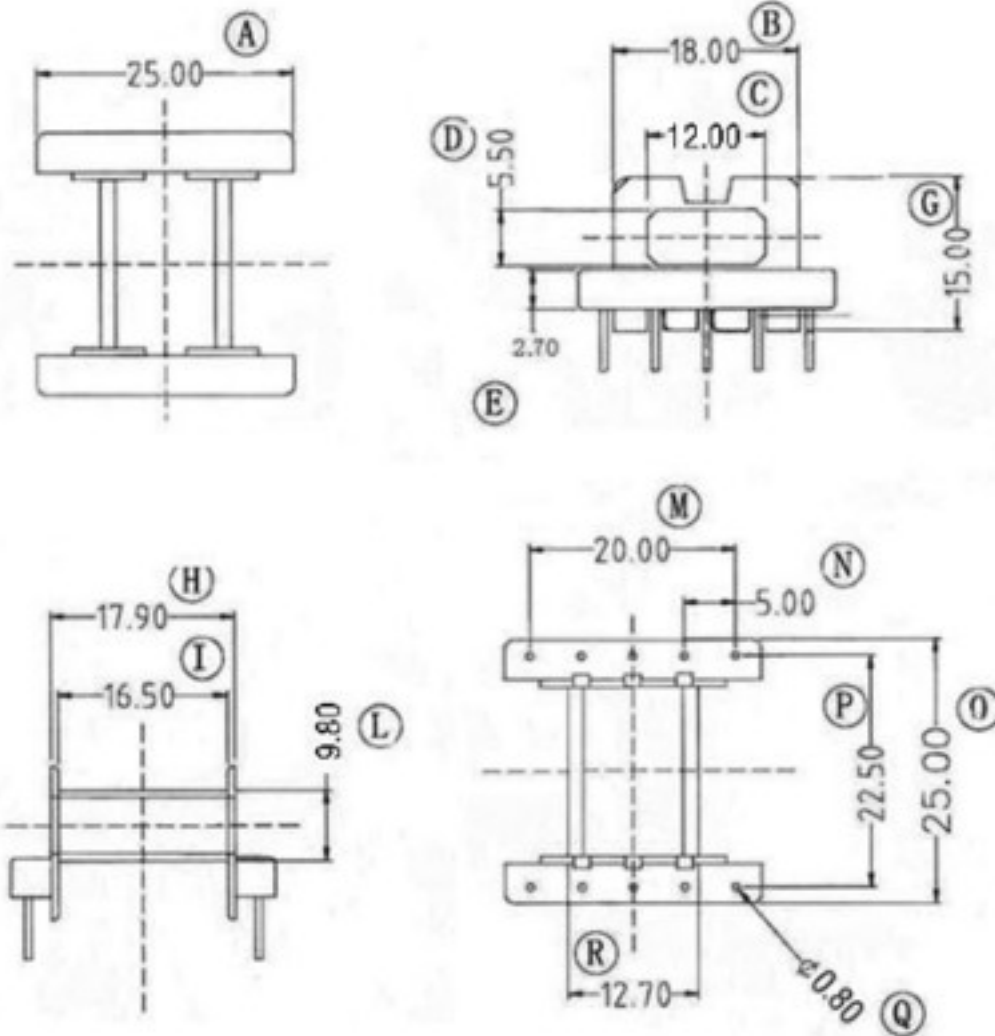
UNIT MM

DATE

2014.10.18

(TYPE)

001080252101001



### Self Electronic

MODEL EFD25/12.5/9 5+5

MATERIAL PHENOLIC

TEL 021-66745473  
021-66716806

TOLERANCE

SCALE

DRAW BY

FAX 021-66742368

 $0 < L \leq 4 \quad \pm 0.1$   
 $4 < L \leq 16 \quad \pm 0.2$ 

4/1

CHECK BY

WEBSITE selfelectronic.com

 $16 < L \leq 63 \quad \pm 0.3$   
 Pin pitch  $\pm 0.2$ 

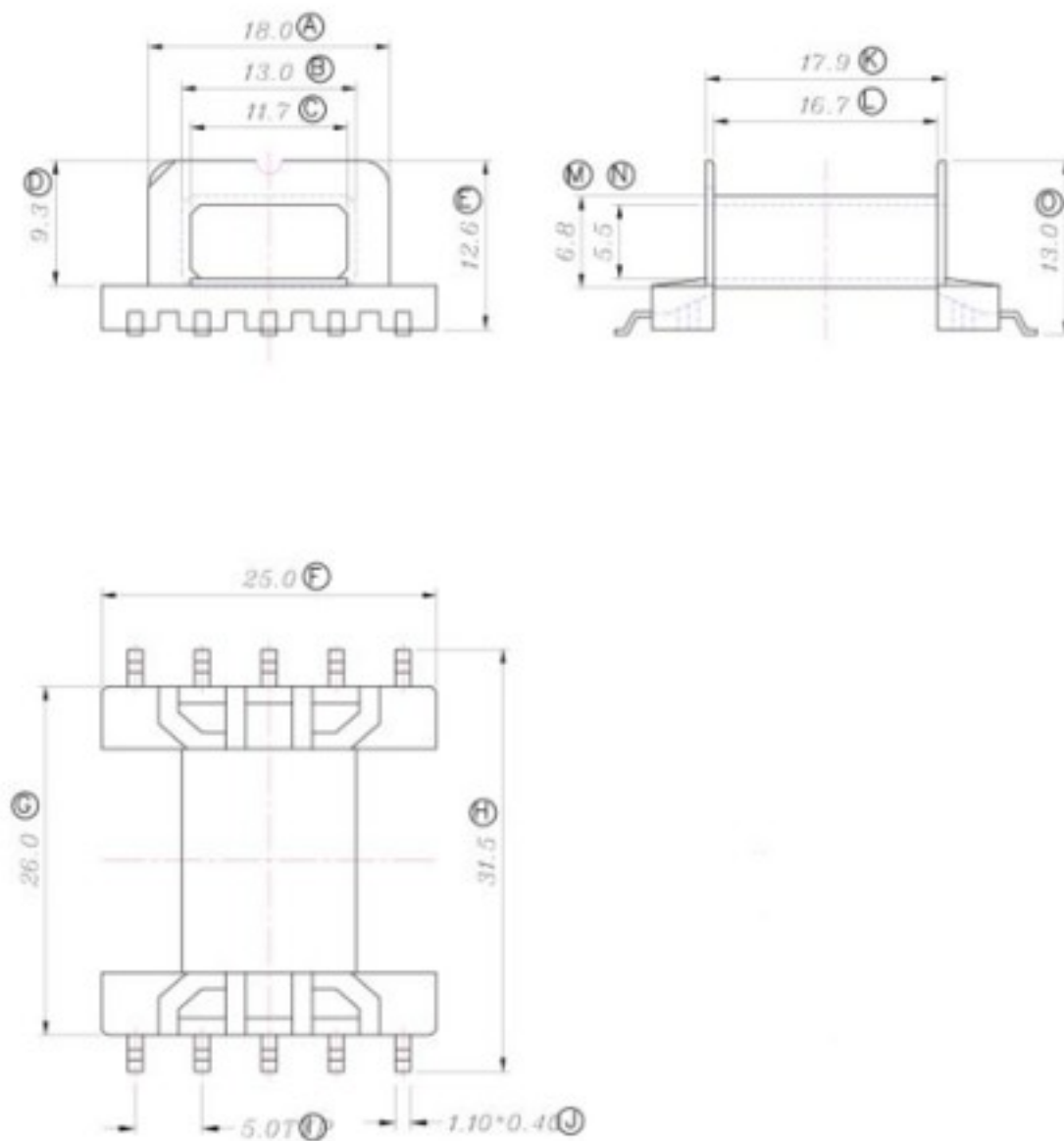
UNIT MM

DATE

2014.10.18

(TYPE)

007080252101001



### Self Electronic

MODEL  
NAME

EFD25/25/9 5+5-SMD

MATERIAL

PHENOLIC

TEL

021-66745473  
021-66716806

TOLERANCE

SCALE

DRAW BY

FAX

021-66742368

 $0 < L \leq 4 \quad \pm 0.1$   
 $4 < L \leq 16 \quad \pm 0.2$ 

4/1

CHECK BY

WEBSITE

selfelectronic.com

 $16 < L \leq 63 \quad \pm 0.3$   
 Pin pitch  $\pm 0.2$ 

UNIT

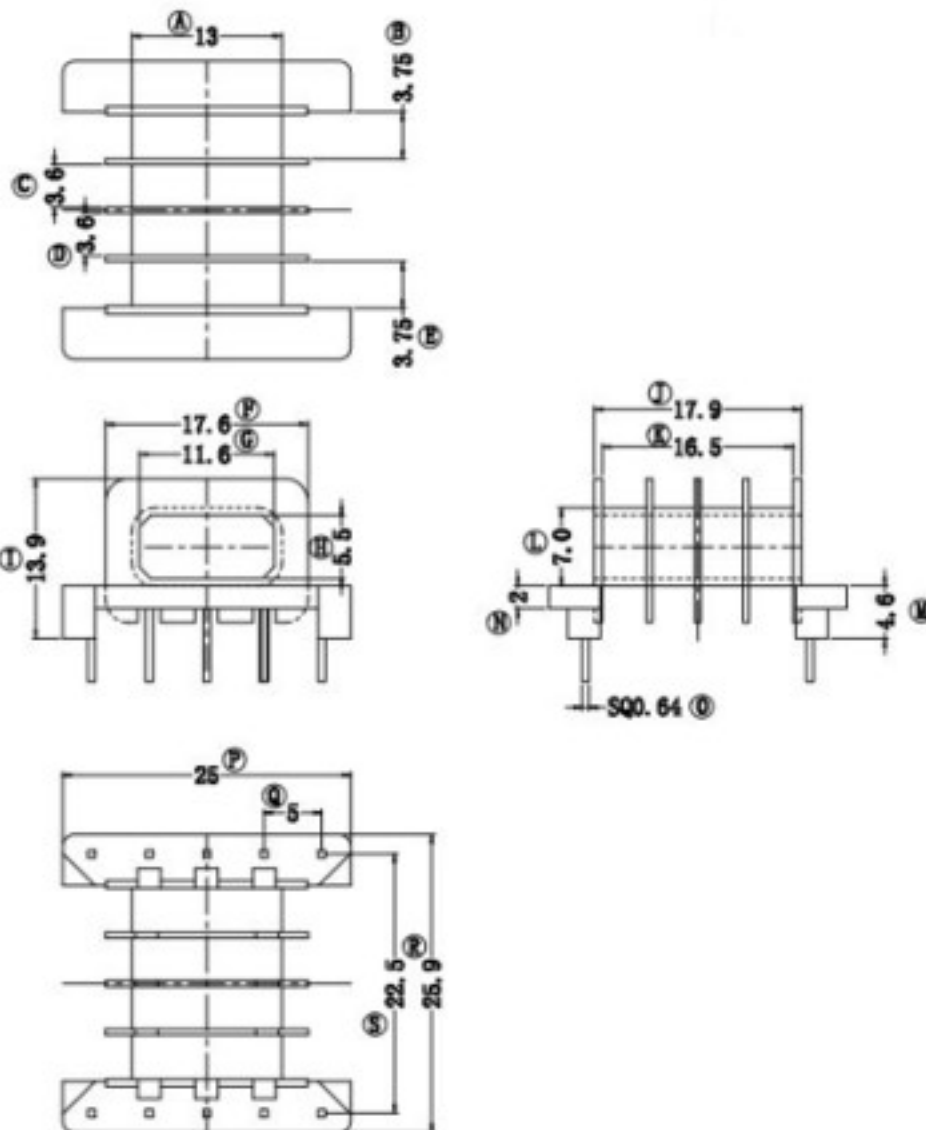
MM

DATE

2015.11.14

(TYPE)

031080252201001



**Self  
Electronic**

MODEL

EFD25

5+5

MATERIAL

PHENOLIC

TEL

021-66745473  
021-66716806

TOLERANCE

SCALE

DRAW BY

FAX

021-66742368

0 &lt; L ≤ 4 ±0.1

4 &lt; L ≤ 16 ±0.2

16 &lt; L ≤ 63 ±0.3

Pin pitch ±0.2

4/1

CHECK BY

WEBSITE

selfelectronic.com

UNIT

MM

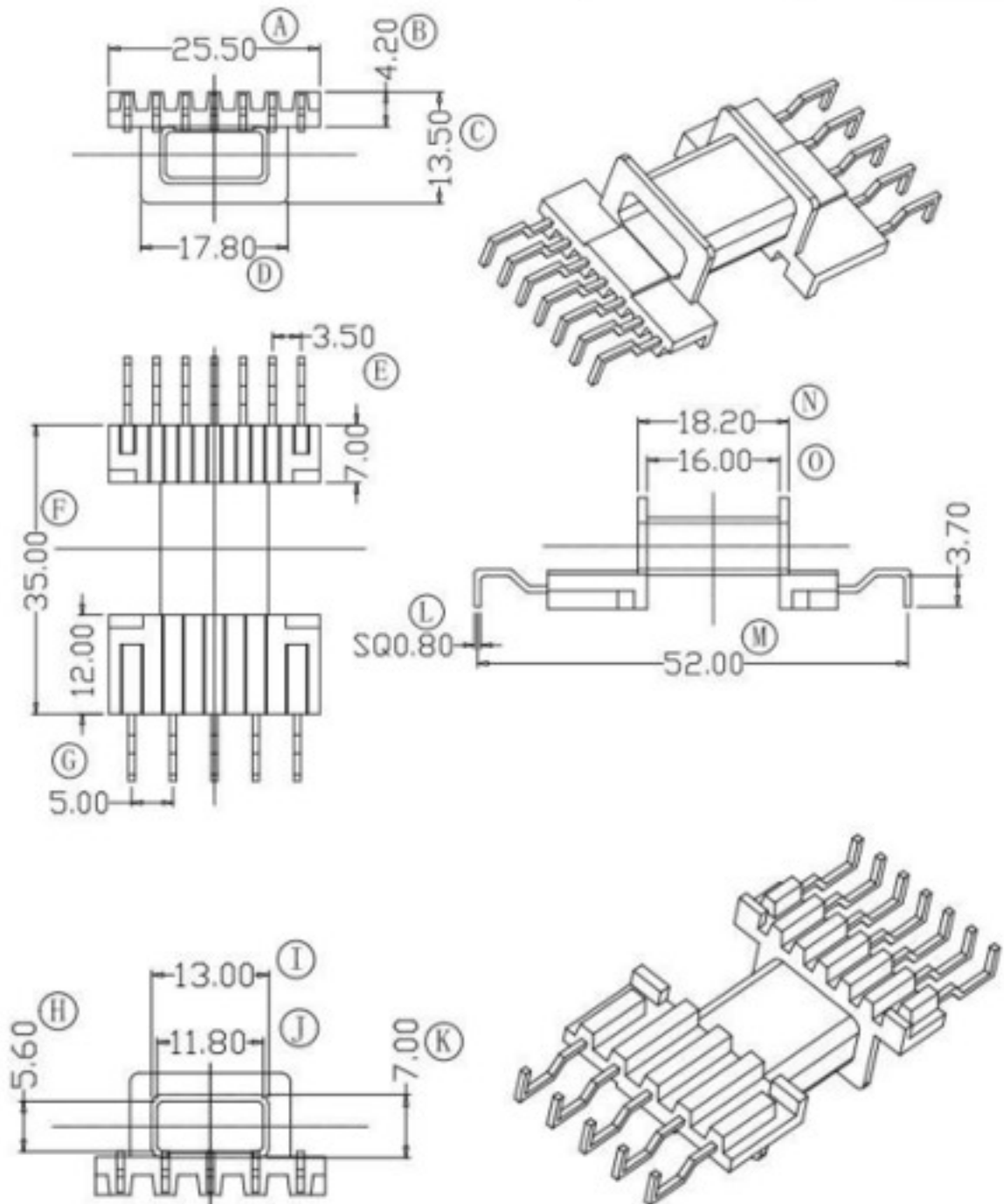
DATE

2015.11.11



(TYPE)

00608025210100



### Self Electronic

MODEL

EFD25L 5+7

MATERIAL

PHENOLIC

TEL

021-66745473  
021-66716806

TOLERANCE

SCALE

DRAW BY

FAX

021-66742368

0 &lt; L ≤ 4 ±0.1

4 &lt; L ≤ 16 ±0.2

16 &lt; L ≤ 63 ±0.3

Pin pitch ±0.2

4/1

CHECK BY

WEBSITE

selfelectronic.com

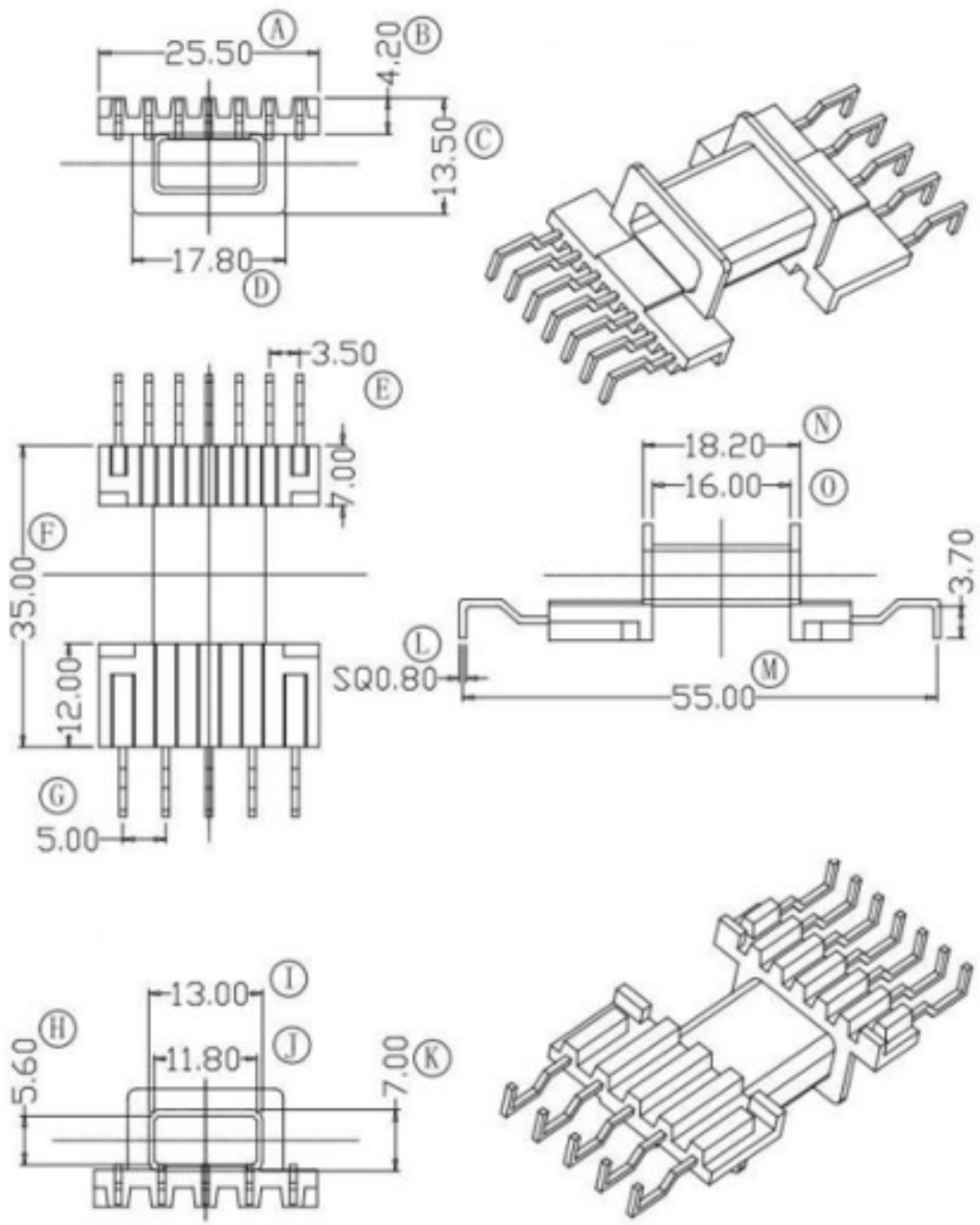
UNIT

MM

DATE

2014.10.18

(TYPE) 006080252101006

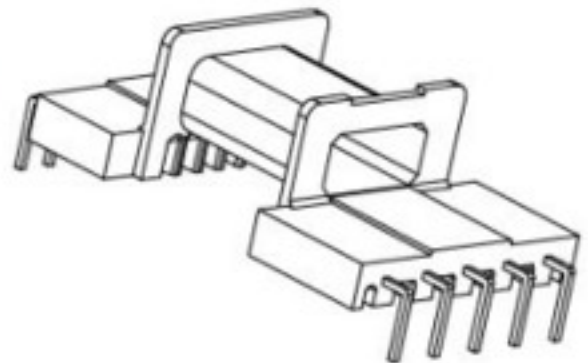
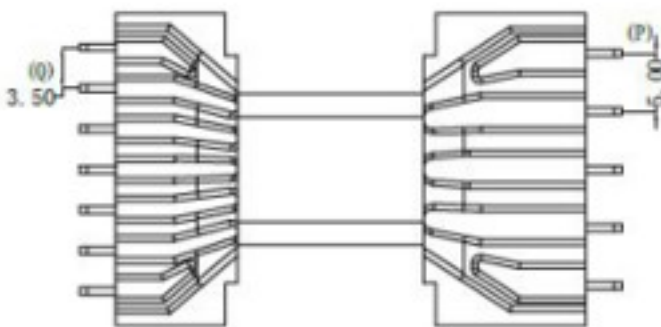
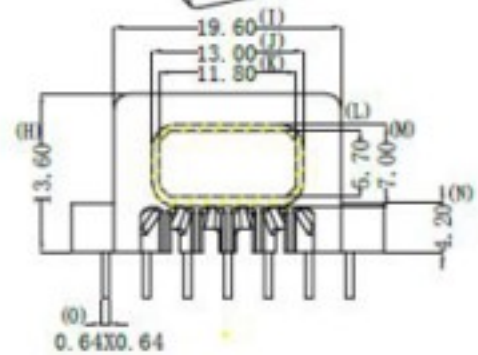
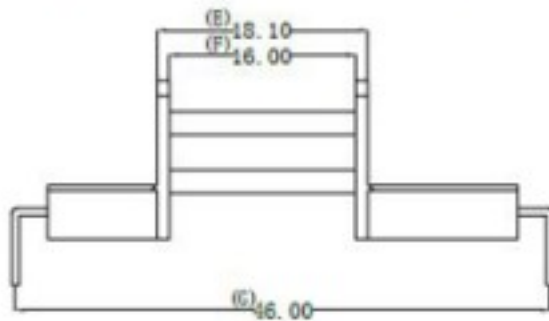
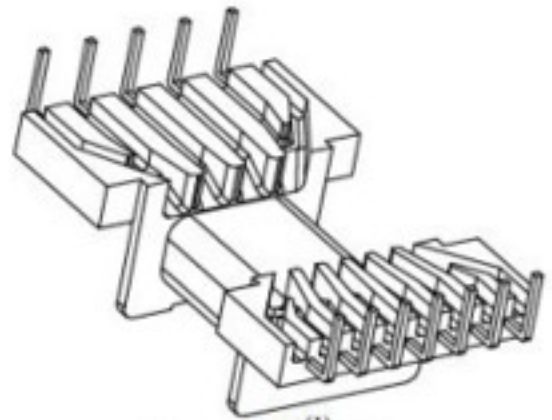
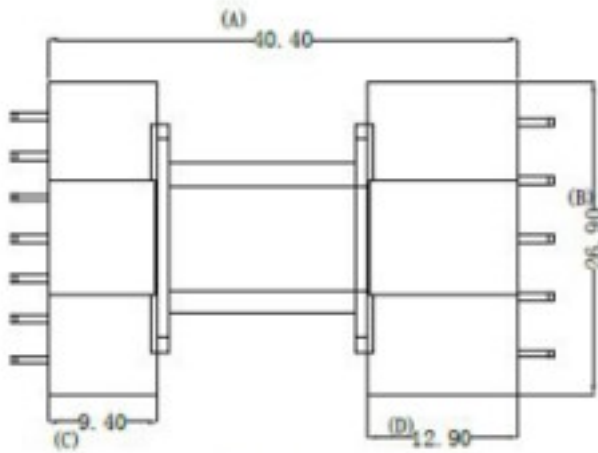


**Self Electronic**

MODEL	EFD25L	5+7
MATERIAL	PET	
SCALE	DRAW BY	
4/1	CHECK BY	
UNIT	MM	DATE
		2014.10.18

TEL	021-66745473 021-66716806	TOLERANCE
FAX	021-66742368	0 < L ≤ 4 ±0.1 4 < L ≤ 16 ±0.2 16 < L ≤ 63 ±0.3 Pin pitch ±0.2
WEBSITE	selfelectronic.com	

(TYPE) 029080252121002



**Self Electronic**

MODEL EFD25L 5+7

MATERIAL PHENOLIC

TEL 021-66745473  
021-66716806

TOLERANCE

SCALE DRAW BY

FAX 021-66742368

0 < L ≤ 4 ±0.1  
4 < L ≤ 16 ±0.2

4/1 CHECK BY

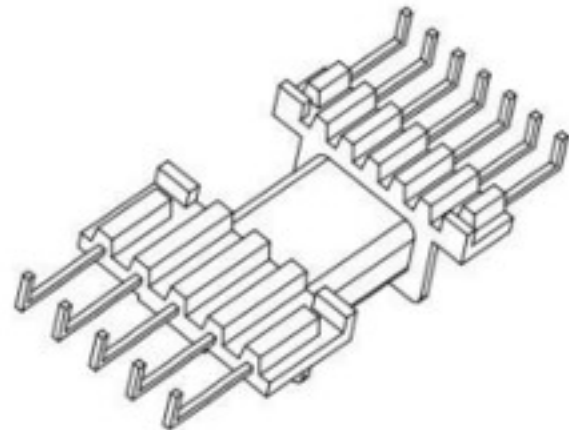
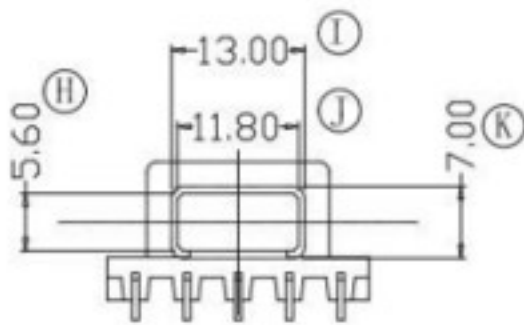
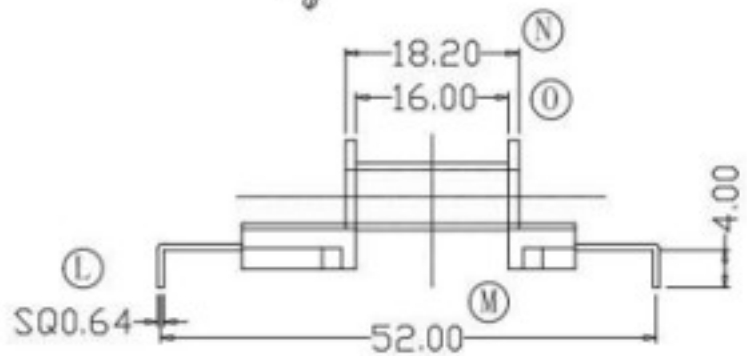
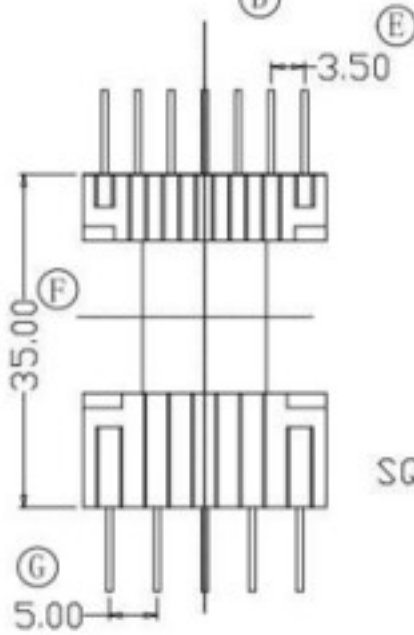
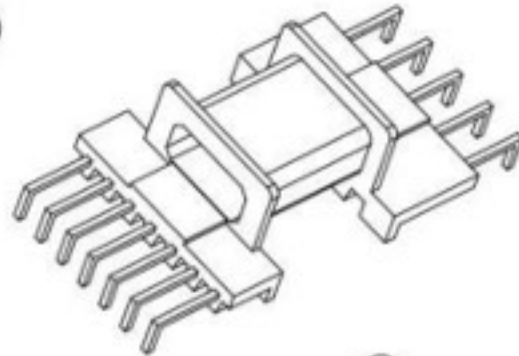
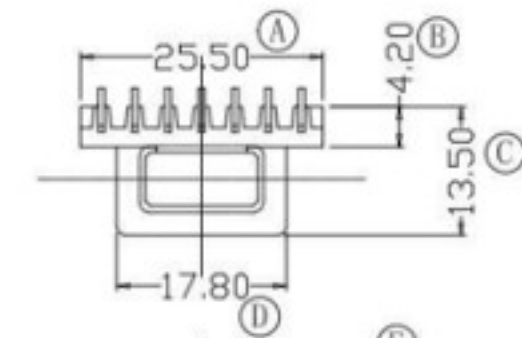
WEBSITE selfelectronic.com

16 < L ≤ 63 ±0.3  
Pin pitch ±0.2

UNIT MM DATE 2014.10.18

(TYPE)

006080252101007



**Self Electronic**

MODEL EFD25L 5+7

MATERIAL PHENOLIC

TEL 021-66745473  
021-66716806

TOLERANCE

SCALE DRAW BY

FAX 021-66742368

0 < L ≤ 4 ±0.1  
4 < L ≤ 16 ±0.2

4/1 CHECK BY

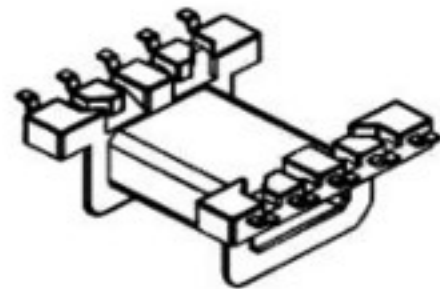
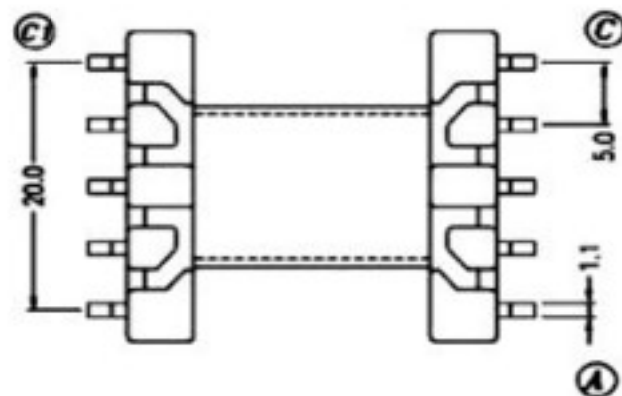
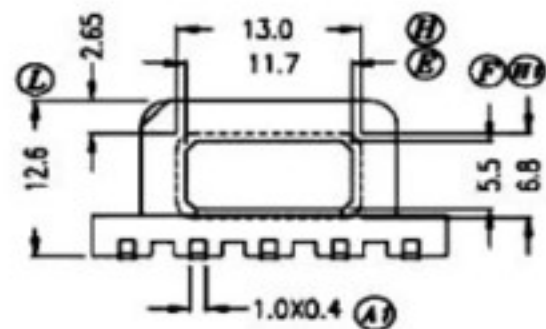
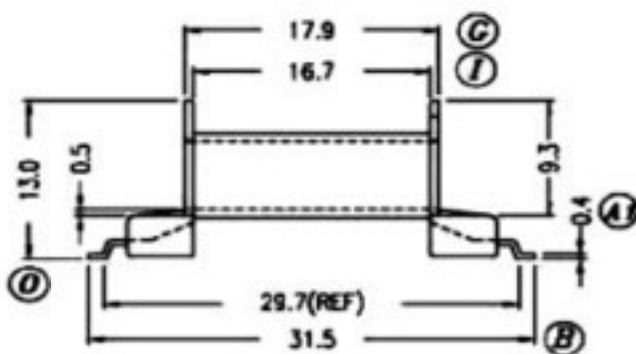
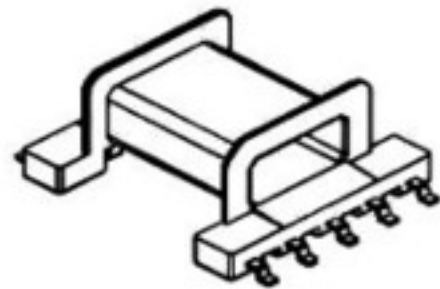
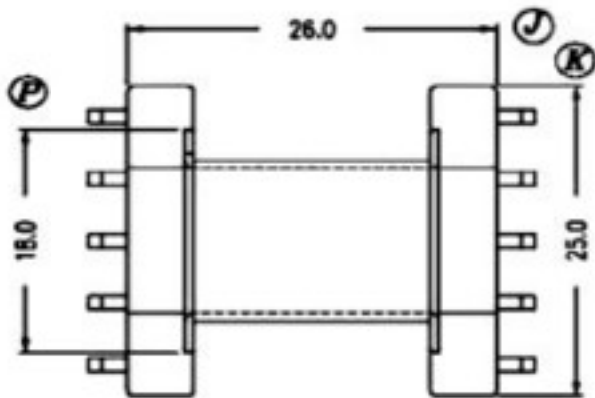
WEBSITE selfelectronic.com

16 < L ≤ 63 ±0.3  
Pin pitch ±0.2

UNIT MM DATE 2014.10.18

(TYPE)

007080252101001



**Self  
Electronic**

MODEL

EFD25/25/9 5+5  
(SMD)

MATERIAL

PHENOLIC

TEL

021-66745473  
021-66716806

TOLERANCE

SCALE

DRAW BY

FAX

021-66742368

0 &lt;math&gt;L \le 4&lt;/math&gt; ±0.1

4 &lt;math&gt;L \le 16&lt;/math&gt; ±0.2

16 &lt;math&gt;L \le 63&lt;/math&gt; ±0.3

Pin pitch ±0.2

4/1

CHECK BY

WEBSITE

selfelectronic.com

UNIT

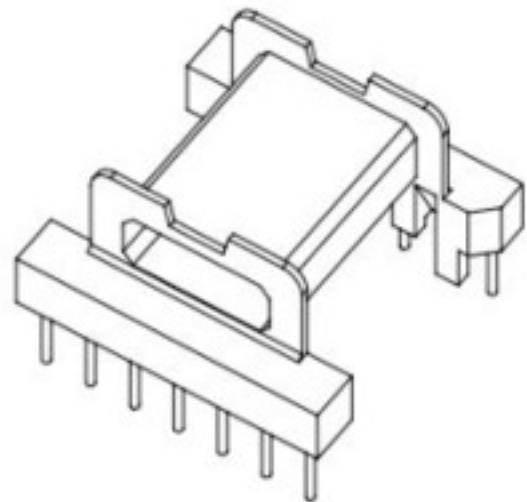
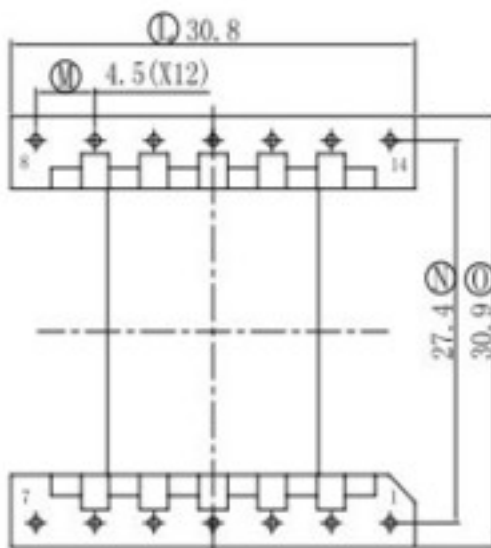
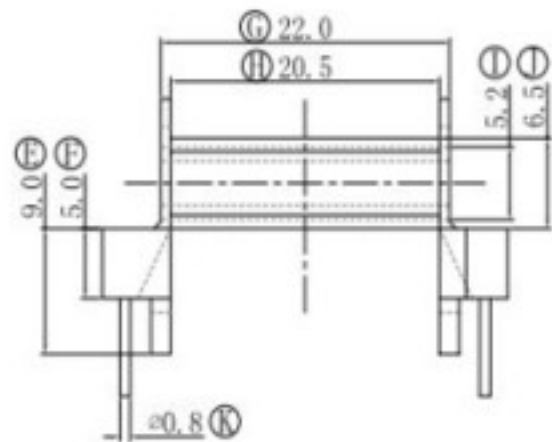
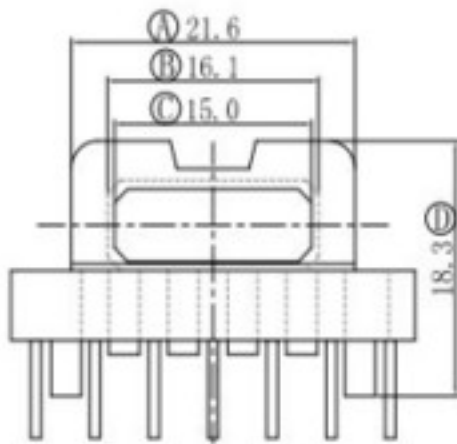
MM

DATE

2014.10.10

(TYPE)

011080302141001



**Self  
Electronic**

MODEL

EFD30 7+7

MATERIAL

PHENOLIC

TEL

021-66745473  
021-66716806

TOLERANCE

SCALE

DRAW BY

FAX

021-66742368

0 &lt; L ≤ 4 ±0.1

4 &lt; L ≤ 16 ±0.2

16 &lt; L ≤ 63 ±0.3

Pin pitch ±0.2

4/1

CHECK BY

WEBSITE

selfelectronic.com

UNIT

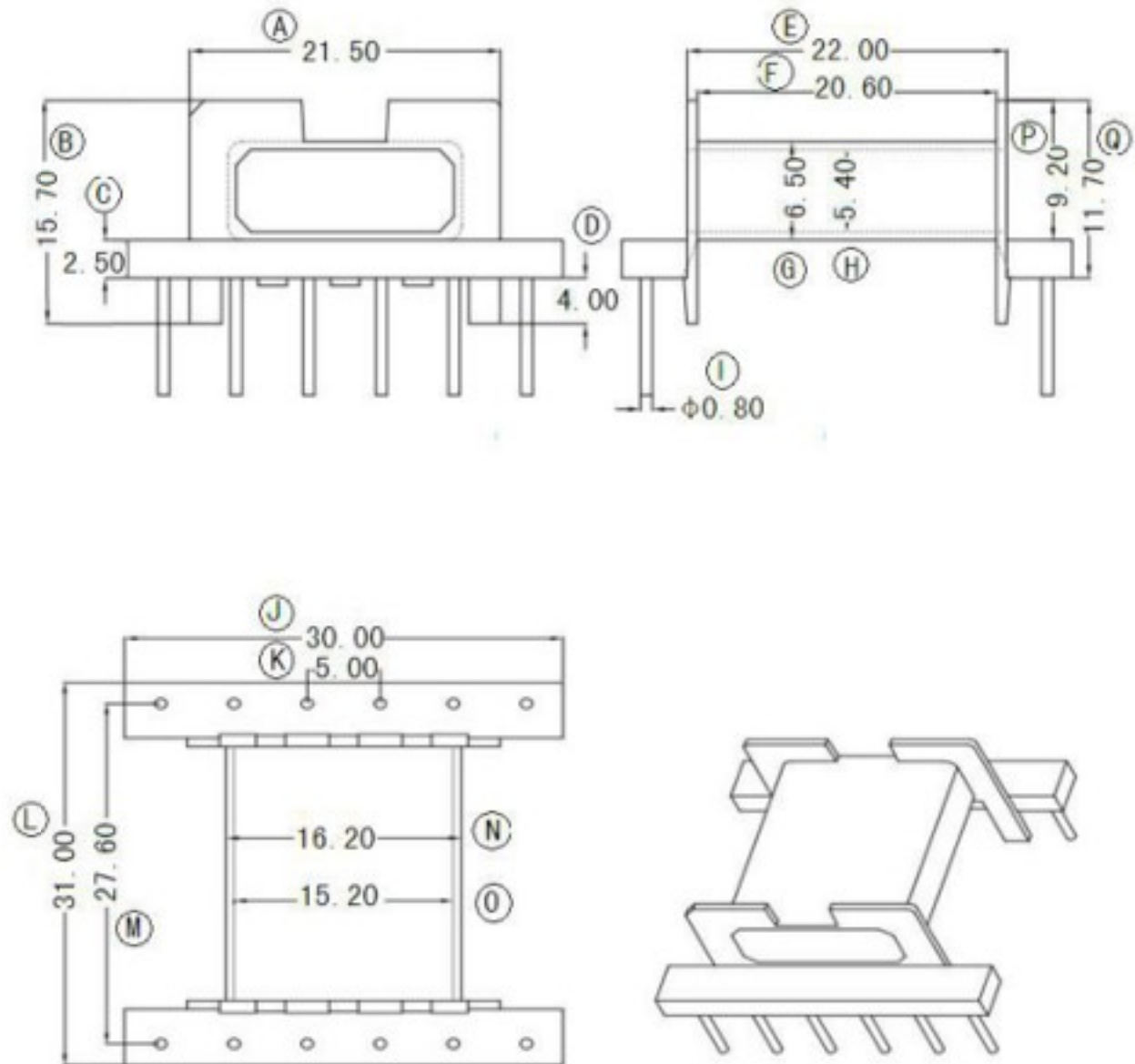
MM

DATE

2015.11.12

(TYPE)

006080302121002



### Self Electronic

MODEL

EFD30/15/9

6+6

MATERIAL

PHENOLIC

TEL

021-66745473  
021-66716806

TOLERANCE

SCALE

DRAW BY

FAX

021-66742368

0 &lt; L ≤ 4 ±0.1

4 &lt; L ≤ 16 ±0.2

16 &lt; L ≤ 63 ±0.3

Pin pitch ±0.2

4/1

CHECK BY

WEBSITE

selfelectronic.com

JNIT

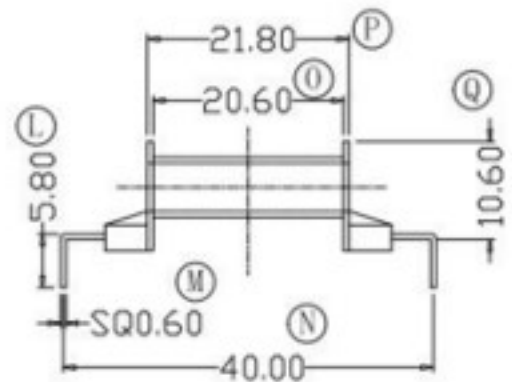
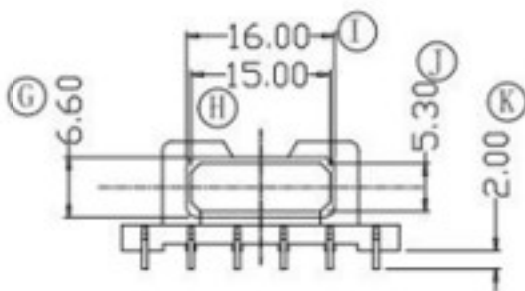
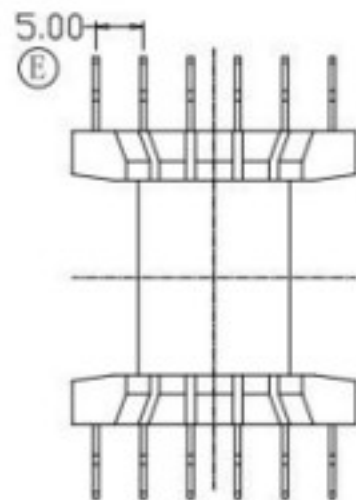
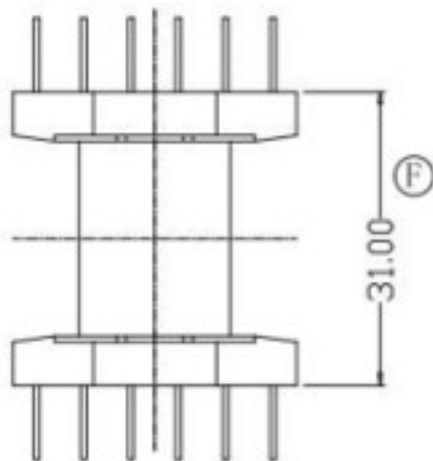
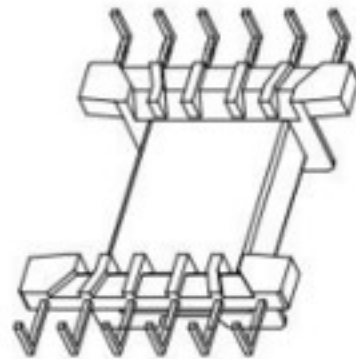
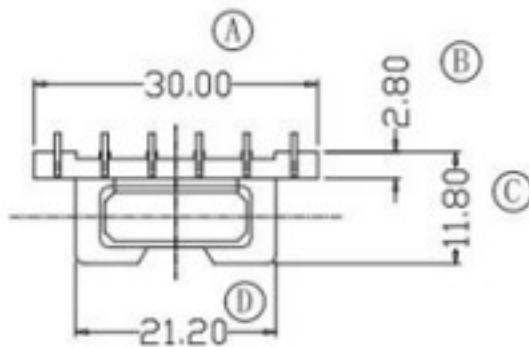
MM

DATE

2014.10.18

(TYPE)

006080302121001



### Self Electronic

MODEL

EFD30L 6+6

MATERIAL

PHENOLIC

TEL

021-66745473  
021-66716806

TOLERANCE

 $0 < L \leq 4 \quad \pm 0.1$   
 $4 < L \leq 16 \quad \pm 0.2$   
 $16 < L \leq 63 \quad \pm 0.3$   
 Pin pitch  $\pm 0.2$ 

SCALE

4/1

DRAW BY

CHECK BY

WEBSITE

selfelectronic.com

UNIT

MM

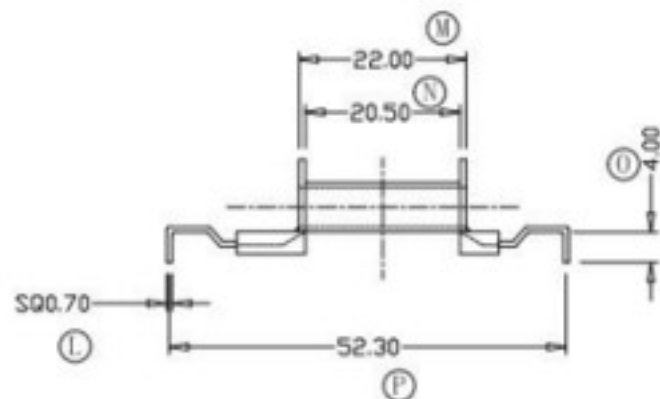
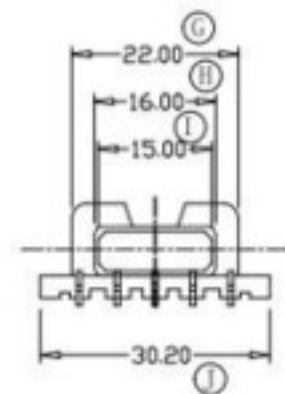
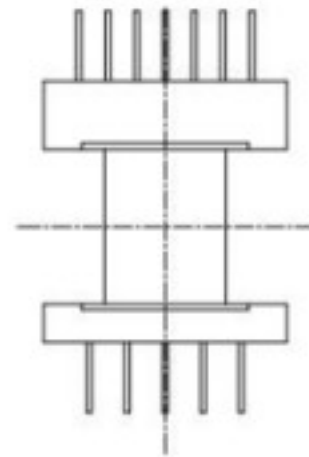
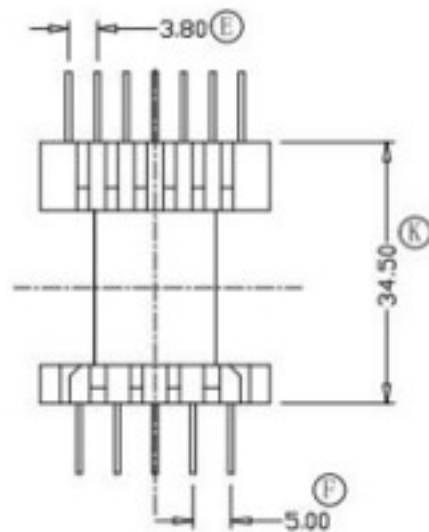
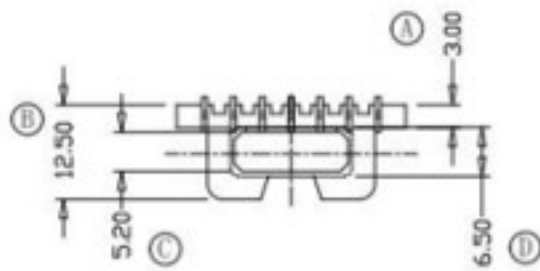
DATE

2014.10.18



(TYPE)

006080302121004



**Self  
Electronic**

MODEL

EFD30

5+7

MATERI

PHENOLIC

TEL

021-66745473  
021-66716806

TOLERANCE

SCALE

DRAW BY

FAX

021-66742368

0 &lt; L ≤ 4 ±0.1

4 &lt; L ≤ 16 ±0.2

16 &lt; L ≤ 63 ±0.3

Pin pitch ±0.2

4/1

CHECK BY

WEBSITE

selfelectronic.com

UNIT

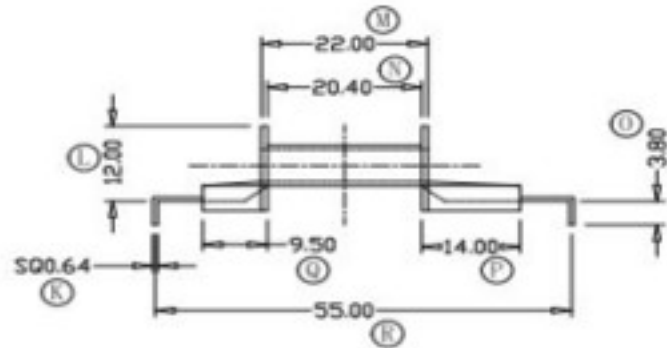
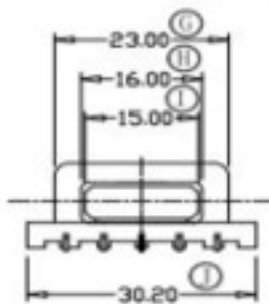
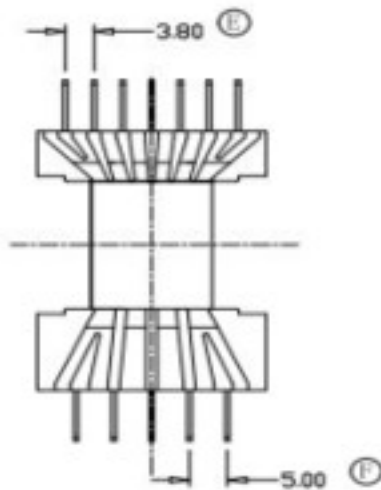
M  
M

DATE

2014.10.18

(TYPE)

006080302121003



**Self  
Electronic**

MODEL

EFD30

5+7 L

NAME

55mm

MATERIAL

PHENOLIC

TEL

021-66745473  
021-66716806

TOLERANCE

SCALE

DRAW BY

FAX

021-66742368

0 &lt;math&gt;L \le 4&lt;/math&gt; ±0.1

4 &lt;math&gt;L \le 16&lt;/math&gt; ±0.2

16 &lt;math&gt;L \le 63&lt;/math&gt; ±0.3

Pin pitch ±0.2

4/1

CHECK BY

WEBSITE

selfelectronic.com

UNIT

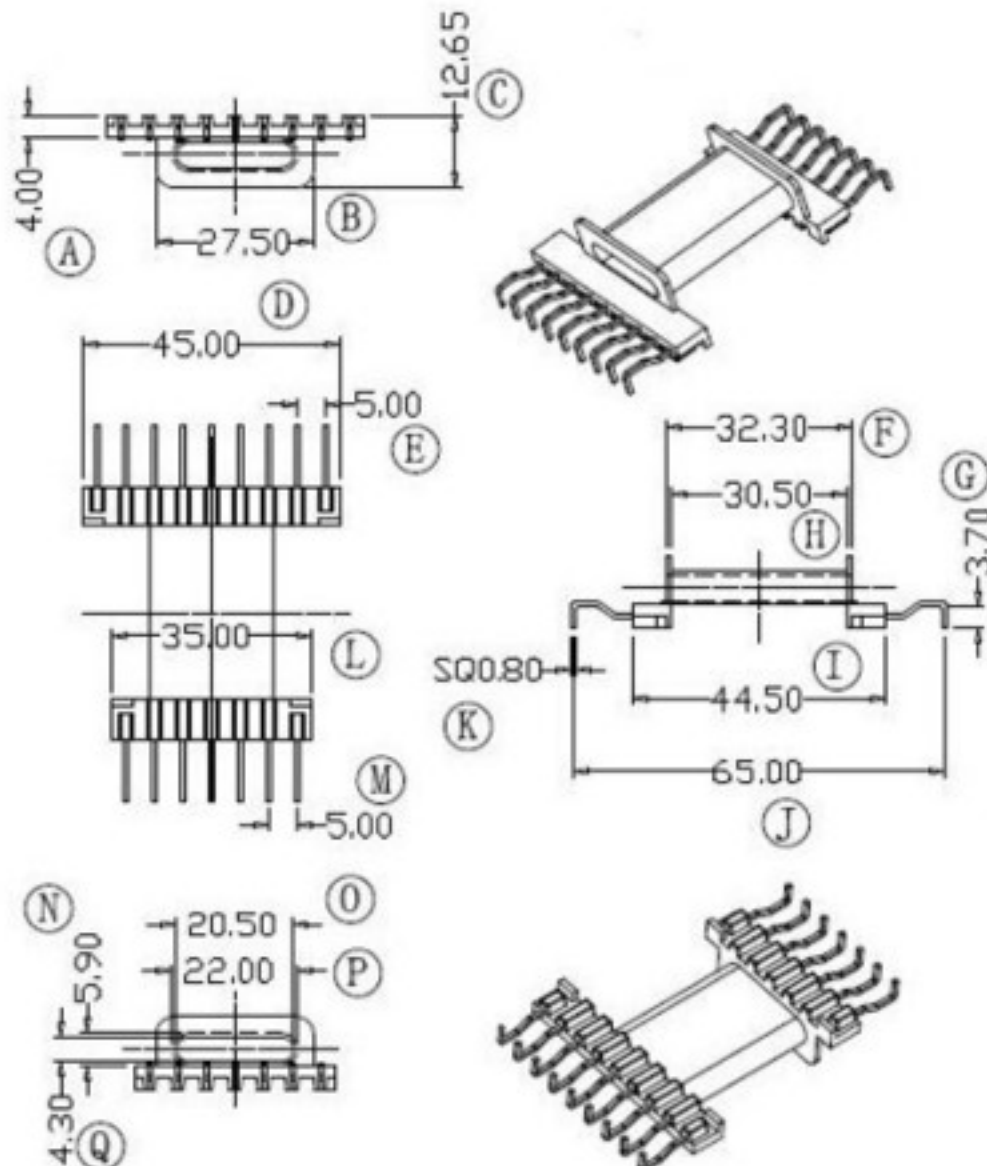
M

DATE

2015.11.12

(TYPE)

006080402161101



**Self  
Electronic**

MODEL

EFD40L 7+9

MATERIAL

PHENOLIC

TEL

021-66745473  
021-66716806

TOLERANCE

SCALE

DRAW BY

FAX

021-66742368

0 &lt; L ≤ 4 ±0.1

4 &lt; L ≤ 16 ±0.2

16 &lt; L ≤ 63 ±0.3

Pin pitch ±0.2

4/1

CHECK BY

WEBSITE

selfelectronic.com

UNIT

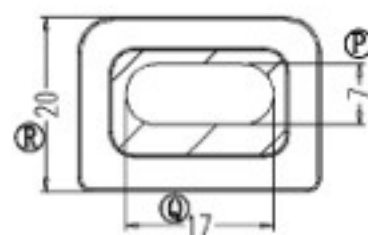
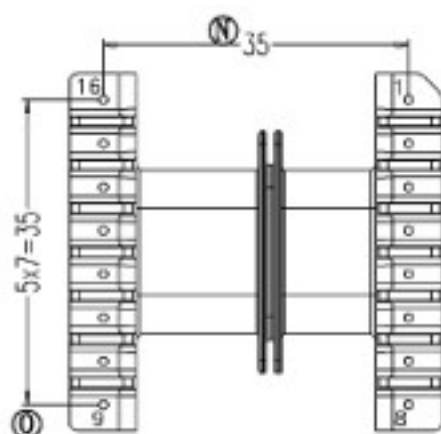
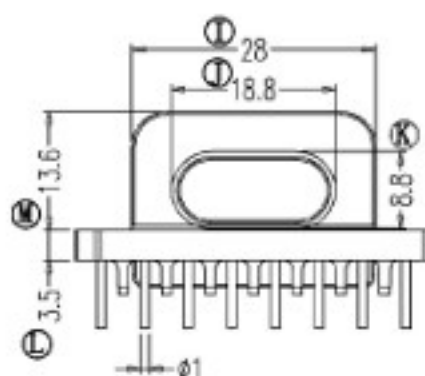
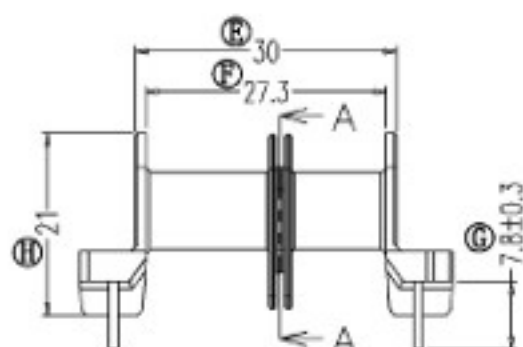
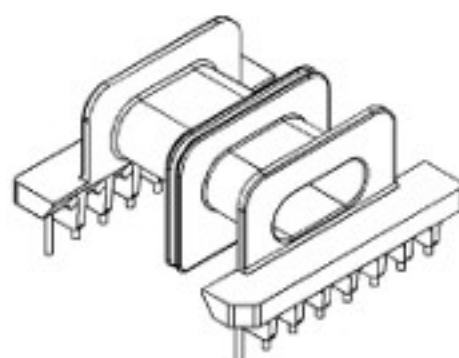
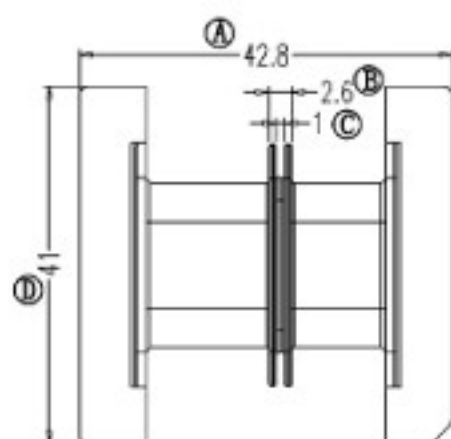
MM

DATE

2014.10.18

(TYPE)

031080402162001



SECTION A-A

**Self  
Electronic**

MODEL

EFD40

(8+8)

MATERIAL

PHENOLIC

TEL

021-66745473  
021-66716806

TOLERANCE

SCALE

DRAW BY

FAX

021-66742368

0 < L ≤ 4 ±0.1  
4 < L ≤ 16 ±0.2

4/1

CHECK BY

WEBSITE

selfelectronic.com

16 < L ≤ 63 ±0.3  
Pin pitch ±0.2

UNIT

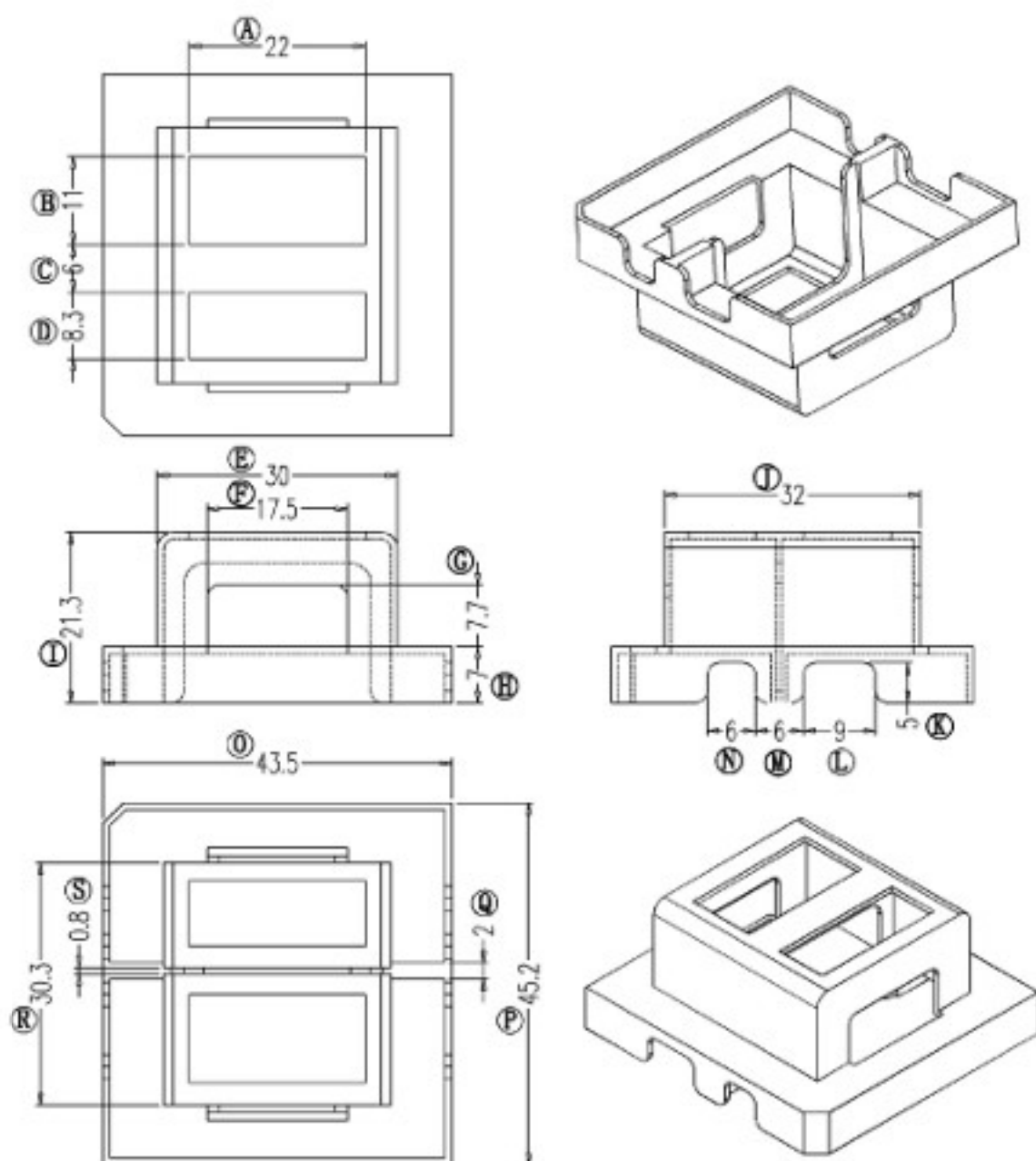
MM

DATE

2014.12.09

(TYPE)

031080402101001



**Self  
Electronic**

MODEL

EFD-40

MATERIAL

PBT-VG30(BK)

TEL

021-66745473  
021-66716806

TOLERANCE

SCALE

DRAW BY

FAX

021-66742368

 $0 < L \leq 4 \quad \pm 0.1$   
 $4 < L \leq 16 \quad \pm 0.2$ 

4/1

CHECK BY

WEBSITE

selfelectronic.com

 $16 < L \leq 63 \quad \pm 0.3$   
 Pin pitch  $\pm 0.2$ 

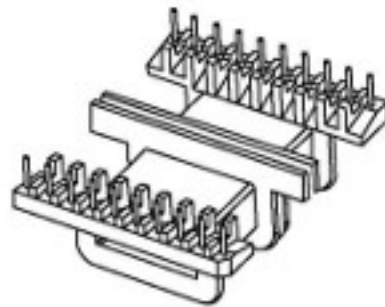
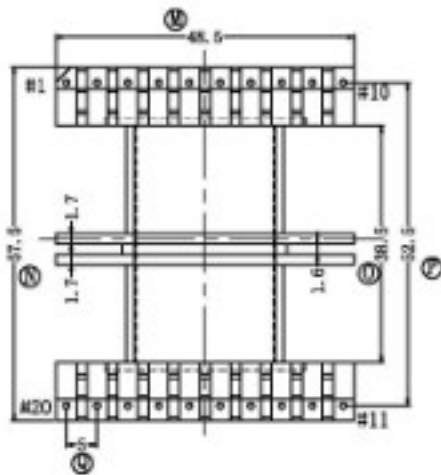
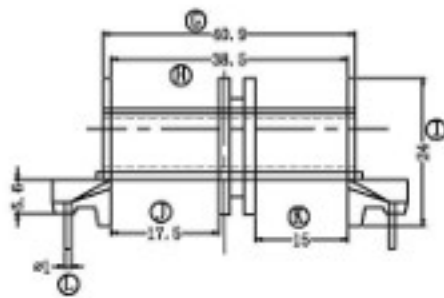
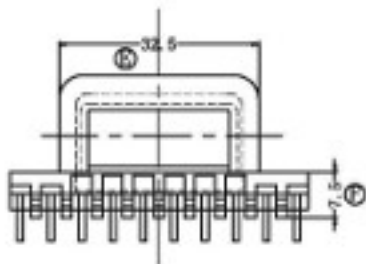
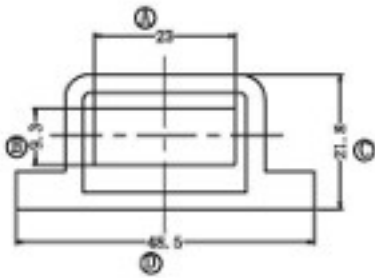
UNIT

MM

DATE

2014.12.09

(TYPE) 005080502201001



**Self  
Electronic**

MODEL

EFD50/30/13.5

NAME

10+10

MATERIAL

PHENOLIC

TEL

021-66745473  
021-66716806

TOLERANCE

SCALE

DRAW BY

FAX

021-66742368

$0 < L \leq 4$   $\pm 0.1$

$4 < L \leq 16$   $\pm 0.2$

$16 < L \leq 63$   $\pm 0.3$

Pin pitch  $\pm 0.2$

4/1

CHECK BY

WEBSITE

selfelectronic.com

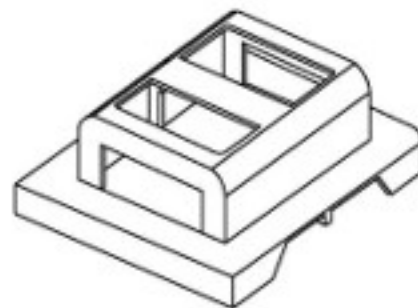
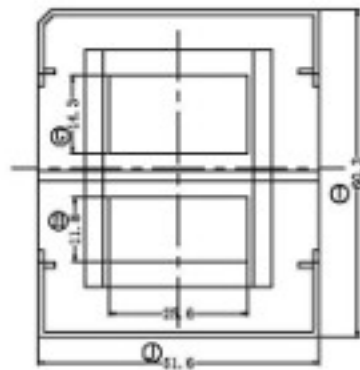
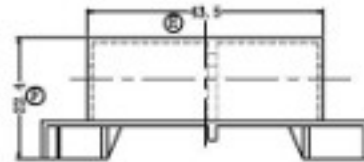
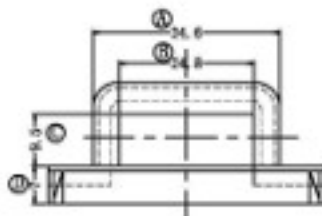
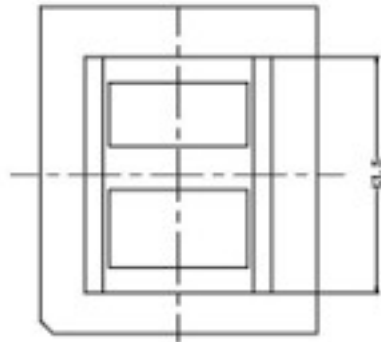
UNIT

MM

DATE

2014.10.18

(TYPE) 005080502201001



**Self  
Electronic**

MODEL EFD50/30/13.5

NAME 10+10

MATERIAL PBT

TEL 021-66745473  
021-66716806

TOLERANCE

SCALE DRAW BY

FAX 021-66742368

0 < L ≤ 4 ±0.1

4 < L ≤ 16 ±0.2

16 < L ≤ 63 ±0.3

Pin pitch ±0.2

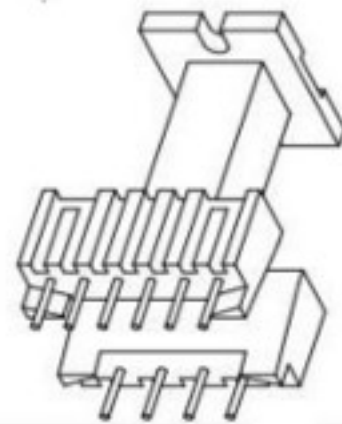
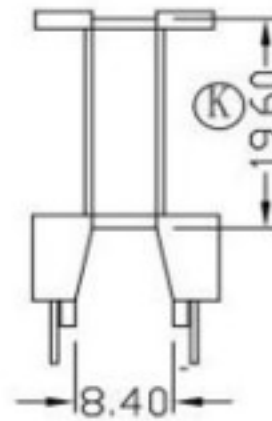
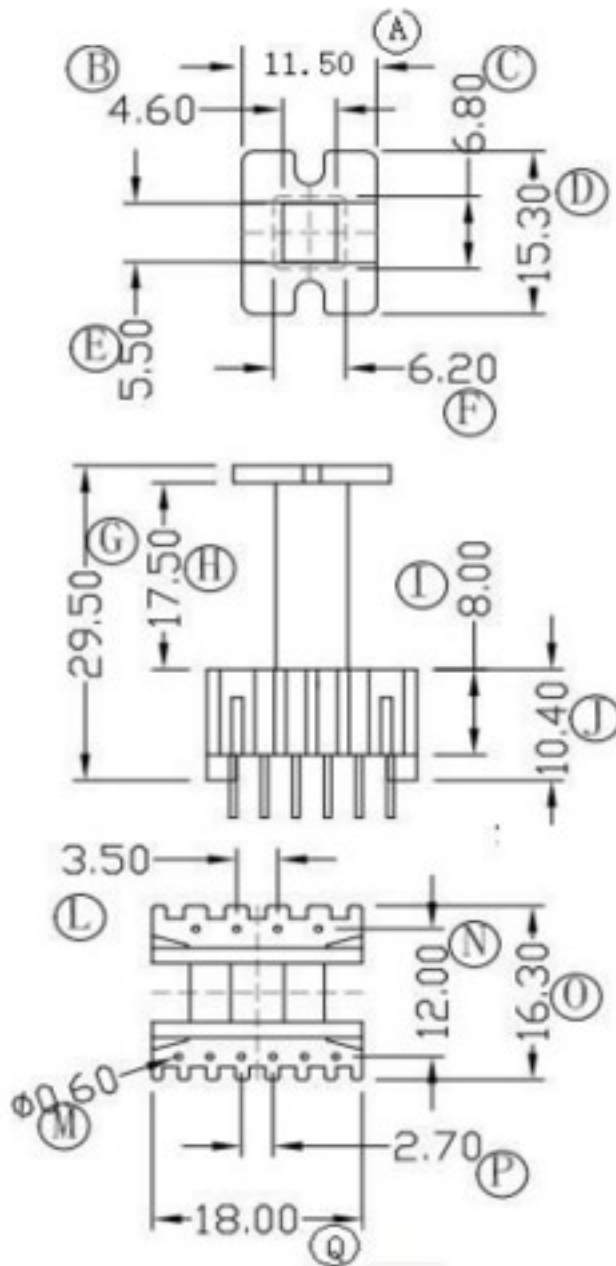
4/1 CHECK BY

WEBSITE selfelectronic.com

UNIT MM DATE 2014.10.18

(TYPE)

006060161101101



### Self Electronic

MODEL

EEL16/12.5/5

4+6

NAME

MATERIAL

PHENOLIC

TEL

021-66745473  
021-66716806

TOLERANCE

SCALE

DRAW BY

FAX

021-66742368

0 &lt; L ≤ 4 ±0.1

4 &lt; L ≤ 16 ±0.2

16 &lt; L ≤ 63 ±0.3

Pin pitch ±0.2

4/1

CHECK BY I

WEBSITE

selfelectronic.com

UNIT

MM

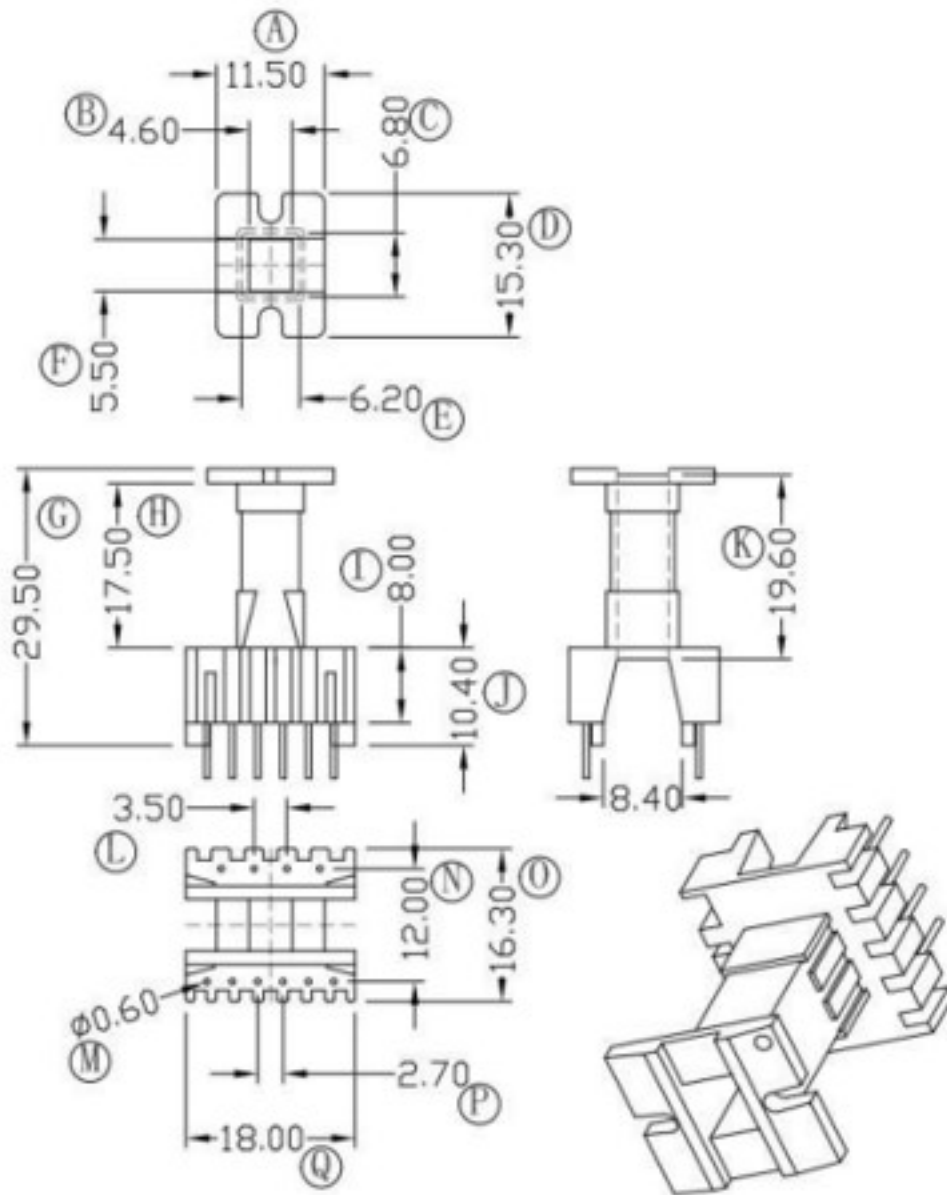
DATE

2014.10.18



(TYPE)

006060161101102



### Self Electronic

MODEL

EEL16/12.5/5

4+6

NAME

MATERIAL

PHENOLIC

TEL

021-66745473  
021-66716806

TOLERANCE

SCALE

DRAW BY

FAX

021-66742368

 $0 < L \leq 4 \quad \pm 0.1$   
 $4 < L \leq 16 \quad \pm 0.2$   
 $16 < L \leq 63 \quad \pm 0.3$   
 Pin pitch  $\pm 0.2$ 

4/1

CHECK BY B

WEBSITE

selfelectronic.com

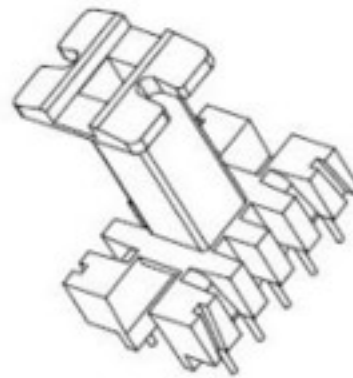
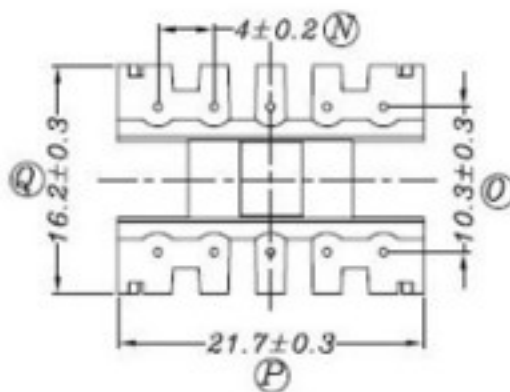
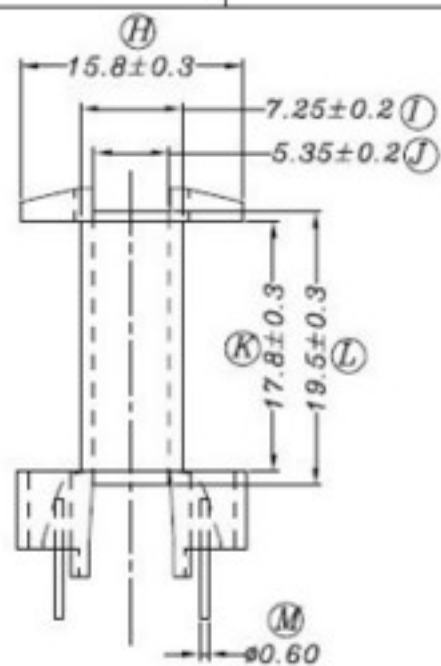
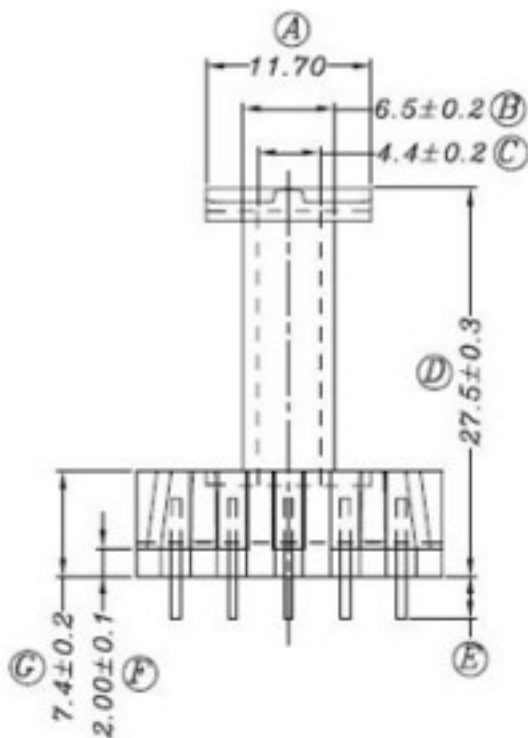
UNIT MM

DATE

2014.10.18

(TYPE)

010060161101002



**Self  
Electronic**

MODEL EEL16/12.5/5 5+5

NAME

MATERIAL

PHENOLIC

TEL

021-66745473  
021-66716806

TOLERANCE

SCALE

DRAW BY

FAX

021-66742368

 $0 < L \leq 4 \quad \pm 0.1$  $4 < L \leq 16 \quad \pm 0.2$  $16 < L \leq 63 \quad \pm 0.3$ Pin pitch  $\pm 0.2$ 

4/1

CHECK BY

WEBSITE

selfelectronic.com

UNIT

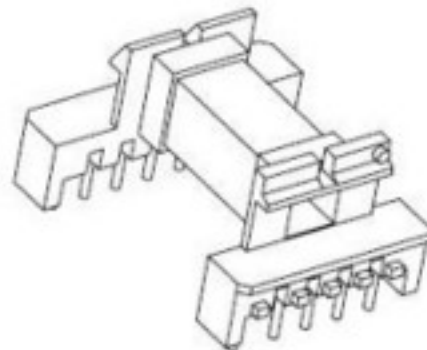
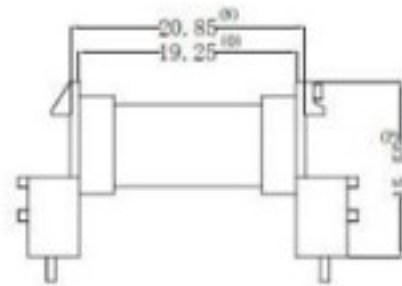
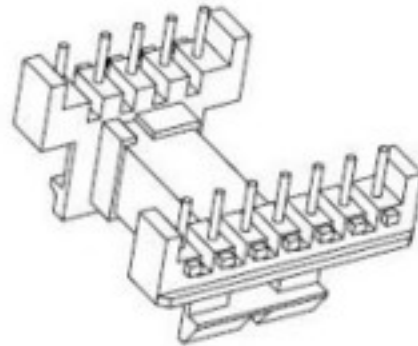
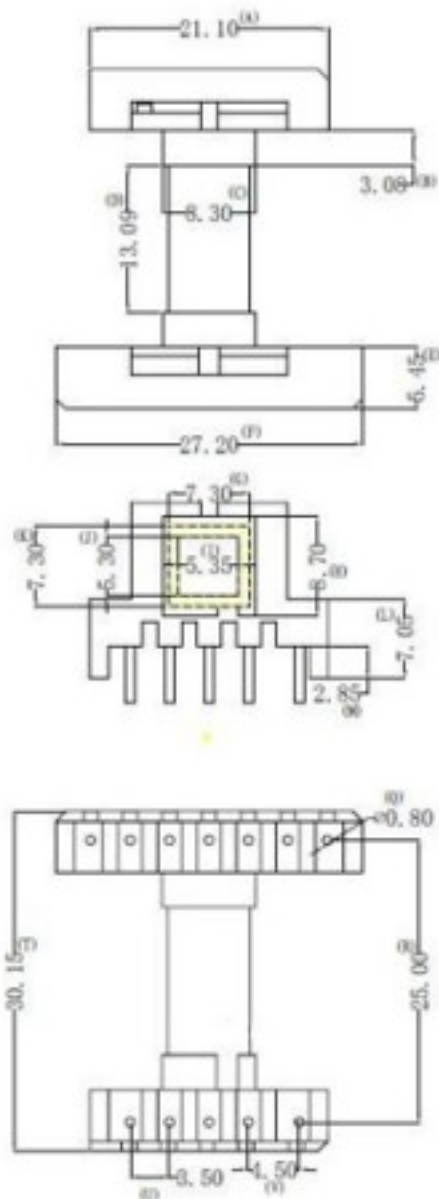
MM

DATE

2014.10.18

(TYPE)

006060192121001



**Self  
Electronic**

MODEL

EEL19/13.5/5

5+7

NAME

MATERIAL

PHENOLIC

TEL

021-66745473  
021-66716806

TOLERANCE

SCALE

DRAW BY J

FAX

021-66742368

0 &lt; L ≤ 4 ±0.1

4 &lt; L ≤ 16 ±0.2

16 &lt; L ≤ 63 ±0.3

Pin pitch ±0.2

4/1

CHECK BY E

WEBSITE

selfelectronic.com

UNIT

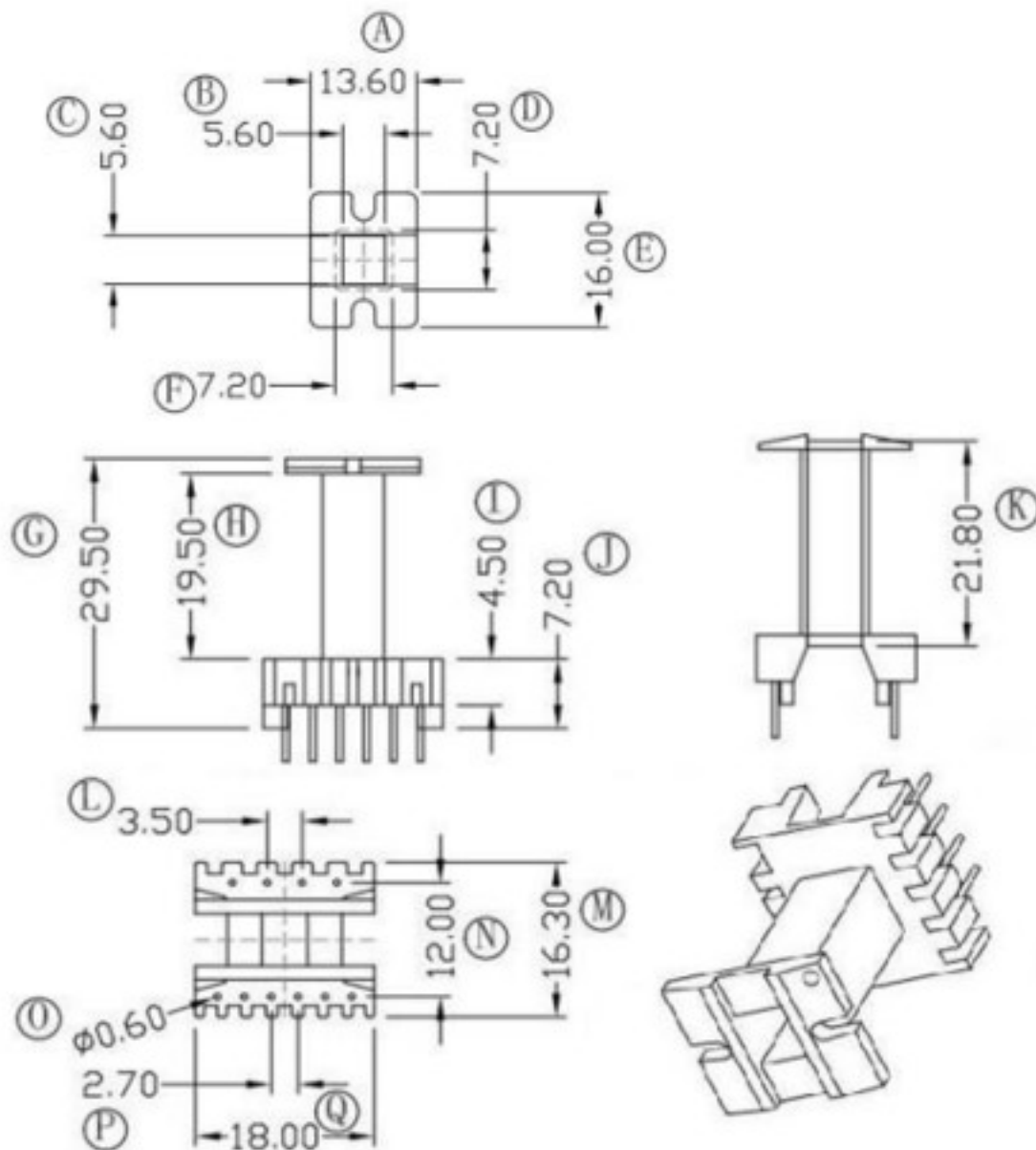
MM

DATE

2014.10.18

(TYPE)

006060191101101



**Self  
Electronic**

MODEL

EEL19/13.5/5

4+6

NAME

MATERIAL

PHENOLIC

TEL

021-66745473  
021-66716806

TOLERANCE

SCALE

DRAW BY

FAX

021-66742368

0 &lt; L ≤ 4 ±0.1

4 &lt; L ≤ 16 ±0.2

16 &lt; L ≤ 63 ±0.3

Pin pitch ±0.2

4/1

CHECK BY

WEBSITE

selfelectronic.com

UNIT

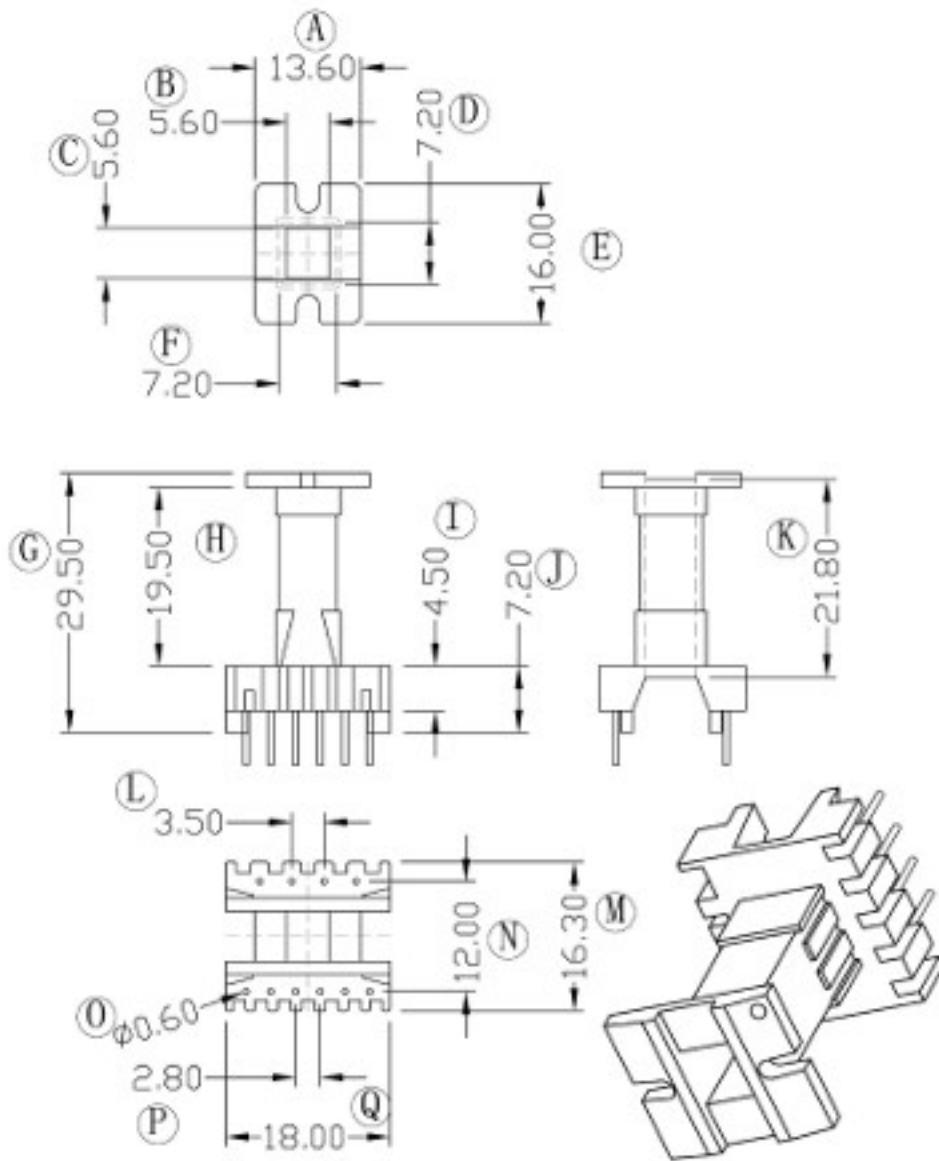
MM

DATE

2014.10.18

(TYPE)

006060191101102



**Self  
Electronic**

MODEL

EEL19/13.5/5

4+6

NAME

MATERIAL

PHENOLIC

TEL

021-66745473  
021-66716806

TOLERANCE

 $0 < L \leq 4 \quad \pm 0.1$   
 $4 < L \leq 16 \quad \pm 0.2$   
 $16 < L \leq 63 \quad \pm 0.3$   
 Pin pitch  $\pm 0.2$ 

SCALE

4/1

DRAW BY

CHECK BY I

WEBSITE

selfelectronic.com

UNIT

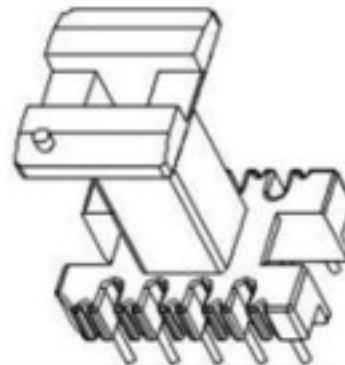
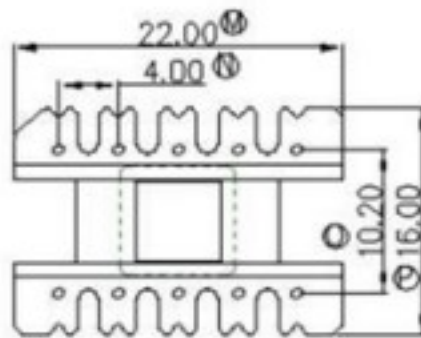
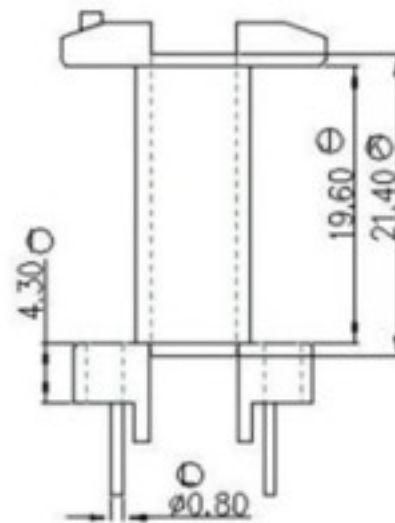
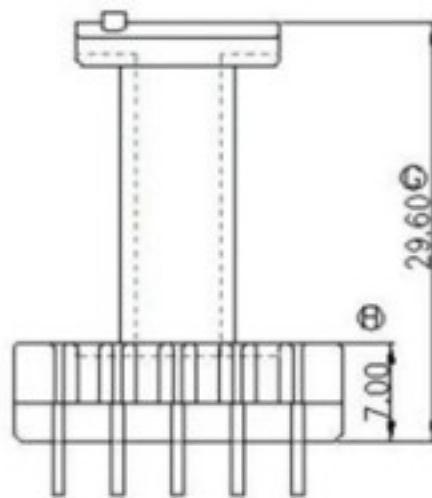
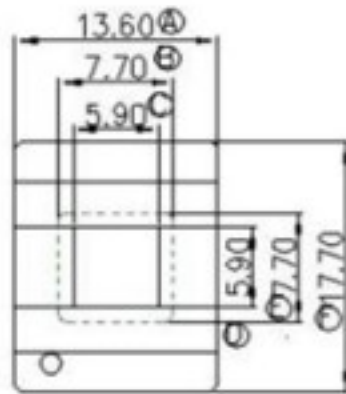
MM

DATE

2014.10.18

(TYPE)

010060191101002



**Self  
Electronic**

MODEL

EEL19/13.5/5

5+5

MATERIAL

PHENOLIC

TEL

021-66745473  
021-66716806

TOLERANCE

SCALE

DRAW BY

FAX

021-66742368

0 &lt; L ≤ 4 ±0.1

4 &lt; L ≤ 16 ±0.2

16 &lt; L ≤ 63 ±0.3

Pin pitch ±0.2

4/1

CHECK BY

WEBSITE

selfelectronic.com

UNIT

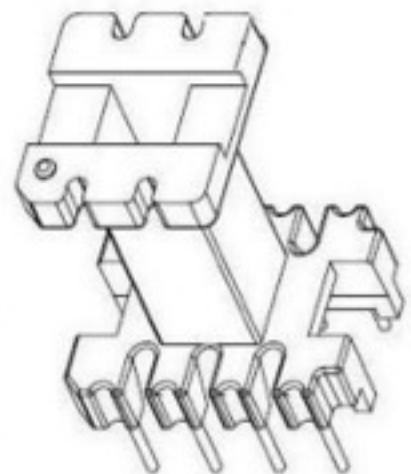
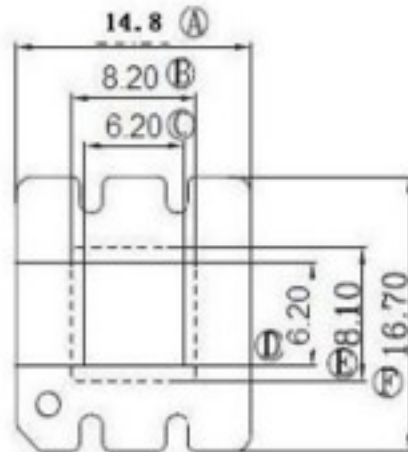
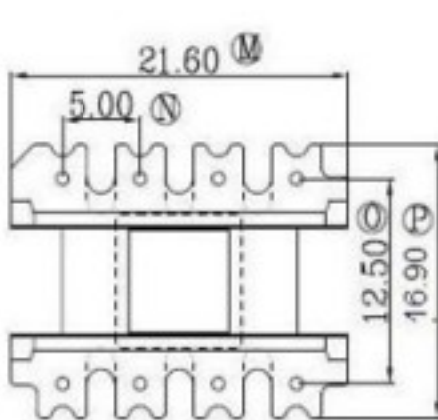
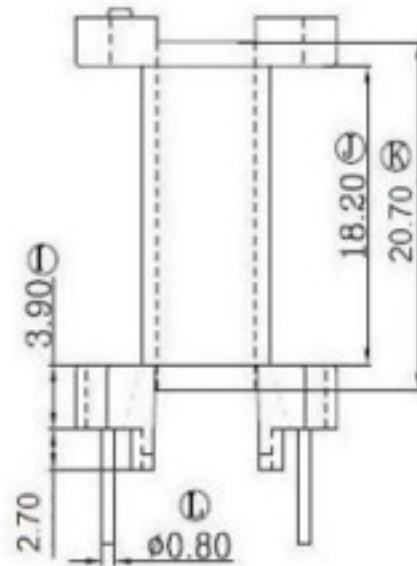
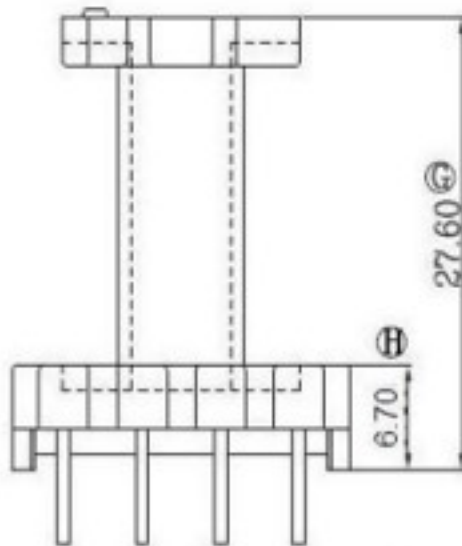
MM

DATE

2014.10.18

(TYPE)

010060221081001



**Self  
Electronic**

MODEL

EEL22/15/6

4+4

MATERIAL

PHENOLIC

TEL

021-66745473  
021-66716806

TOLERANCE

SCALE

DRAW BY

FAX

021-66742368

0 &lt; L ≤ 4 ±0.1

4 &lt; L ≤ 16 ±0.2

16 &lt; L ≤ 63 ±0.3

Pin pitch ±0.2

4/1

CHECK BY

WEBSITE

selfelectronic.com

UNIT

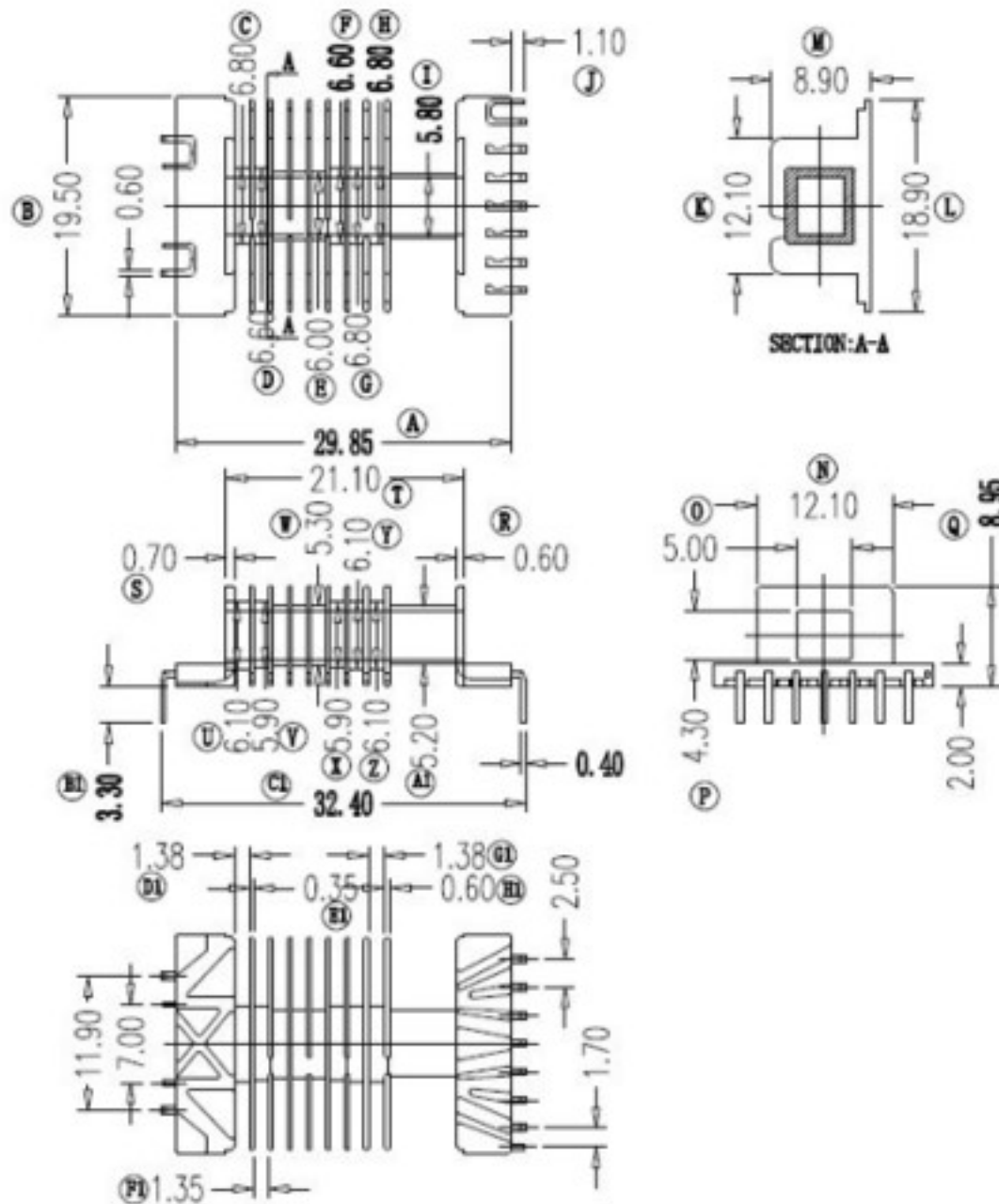
MM

DATE

2014.10.18

(TYPE)

007060192099002



**Self  
Electronic**

MODEL

EEL19/13.5/5

NAME

8+1 2+7 SMD L

MATERIAL

LCP E4008

TEL

021-66745473  
021-66716806

TOLERANCE

SCALE

DRAW BY

FAX

021-66742368

 $0 < L \leq 4 \quad \pm 0.1$   
 $4 < L \leq 16 \quad \pm 0.2$   
 $16 < L \leq 63 \quad \pm 0.3$   
 Pin pitch  $\pm 0.2$ 

4/1

CHECK BY

WEBSITE

selfelectronic.com

UNIT

MM

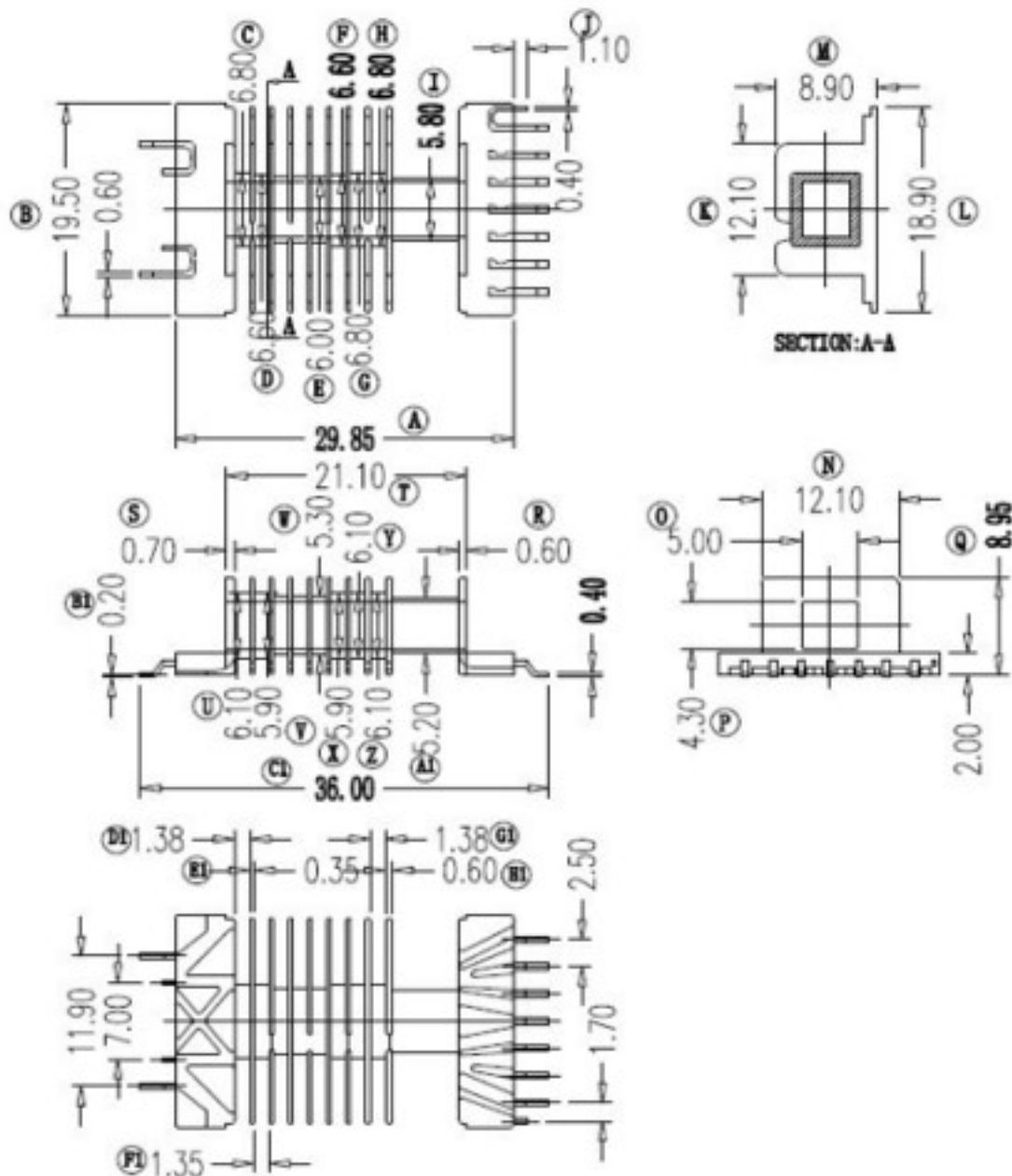
DATE

2014.10.18



(TYPE)

007060192099001



**Self  
Electronic**

MODEL

EEL19/13.5/5

NAME

8+1 2+7

MATERIAL

LCP E4008

TEL

021-66745473  
021-66716806

TOLERANCE

SCALE

DRAW BY

FAX

021-66742368

 $0 < L \leq 4 \quad \pm 0.1$   
 $4 < L \leq 16 \quad \pm 0.2$   
 $16 < L \leq 63 \quad \pm 0.3$   
 Pin pitch  $\pm 0.2$ 

4/1

CHECK BY

WEBSITE

selfelectronic.com

UNIT

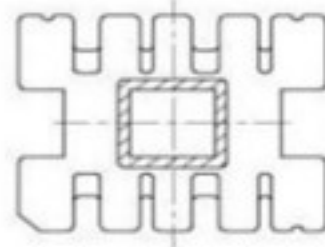
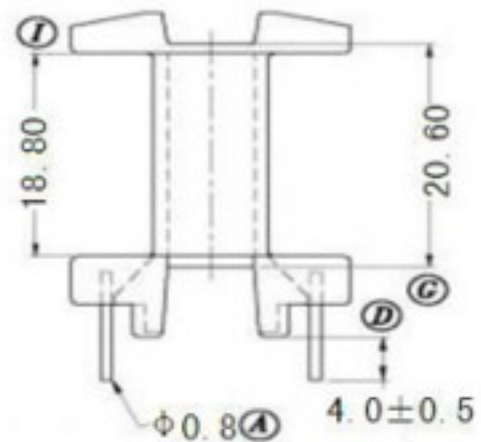
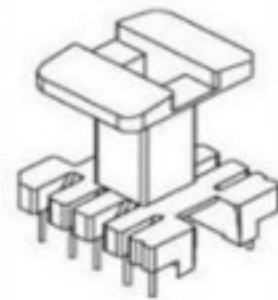
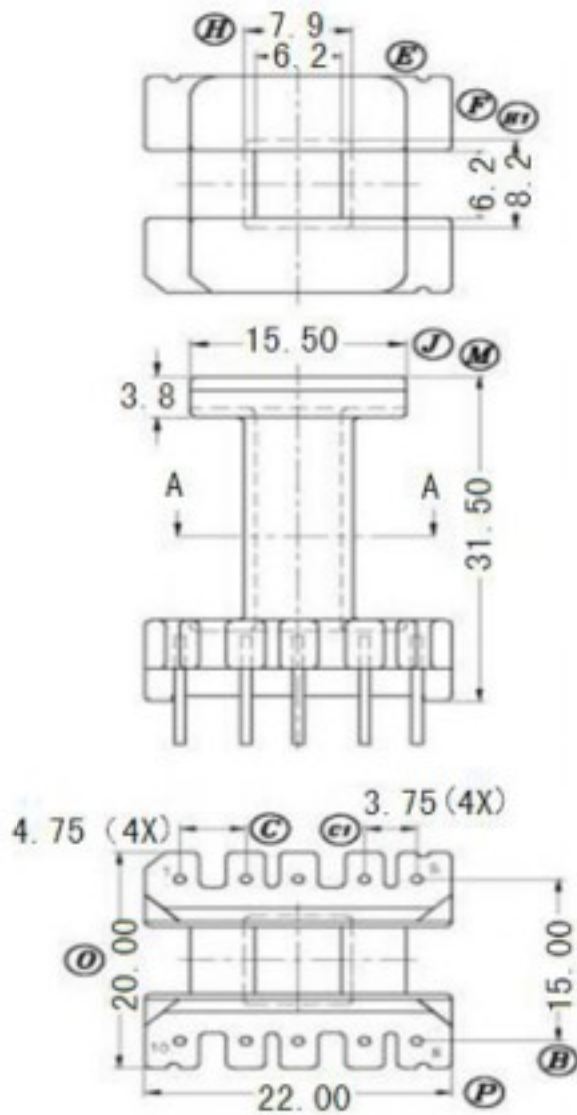
MM

DATE

2014.10.18

(TYPE)

010060221101001



**Self  
Electronic**

MODEL

EEL22/15/6

5+5

MATERIAL

PHENOLIC

TEL

021-66745473  
021-66716806

TOLERANCE

SCALE

DRAW BY

FAX

021-66742368

0 &lt; L ≤ 4 ±0.1

4 &lt; L ≤ 16 ±0.2

16 &lt; L ≤ 63 ±0.3

Pin pitch ±0.2

4/1

CHECK BY

WEBSITE

selfelectronic.com

UNIT

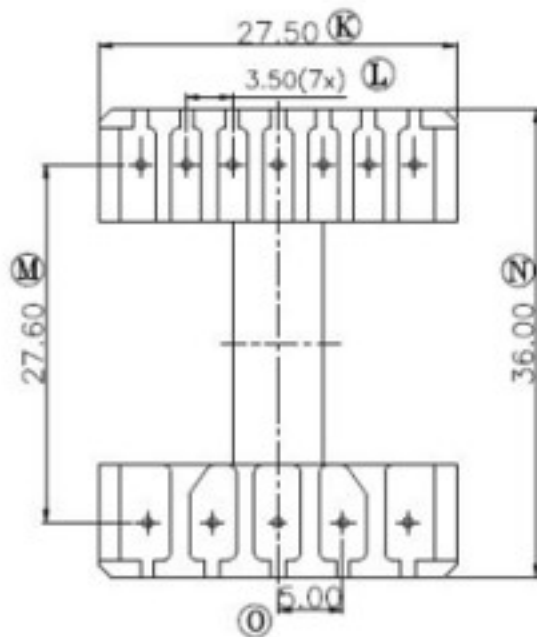
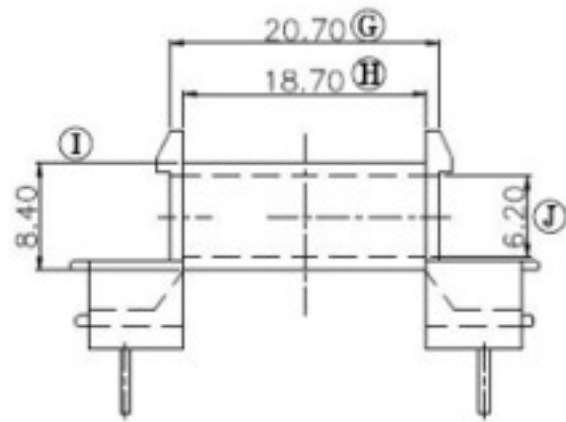
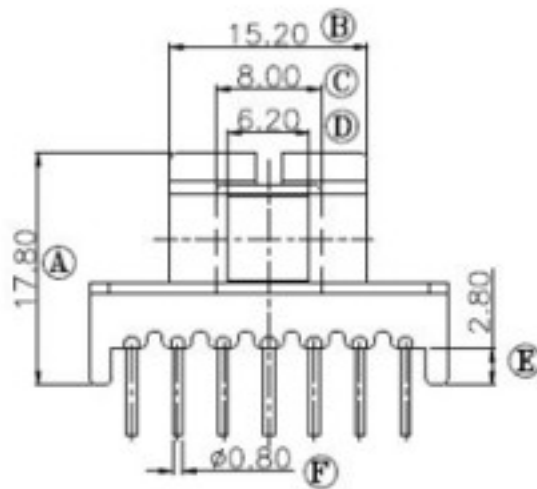
MM

DATE

2014.10.18

(TYPE)

009060222121001



**Self  
Electronic**

MODEL

EEL22/15/6

5+7

NAME

MATERIAL

PHENOLIC

TEL

021-66745473  
021-66716806

TOLERANCE

SCALE

DRAW BY

FAX

021-66742368

0 &lt; L ≤ 4 ±0.1

4 &lt; L ≤ 16 ±0.2

16 &lt; L ≤ 63 ±0.3

Pin pitch ±0.2

4/1

CHECK BY

WEBSITE

selfelectronic.com

UNIT

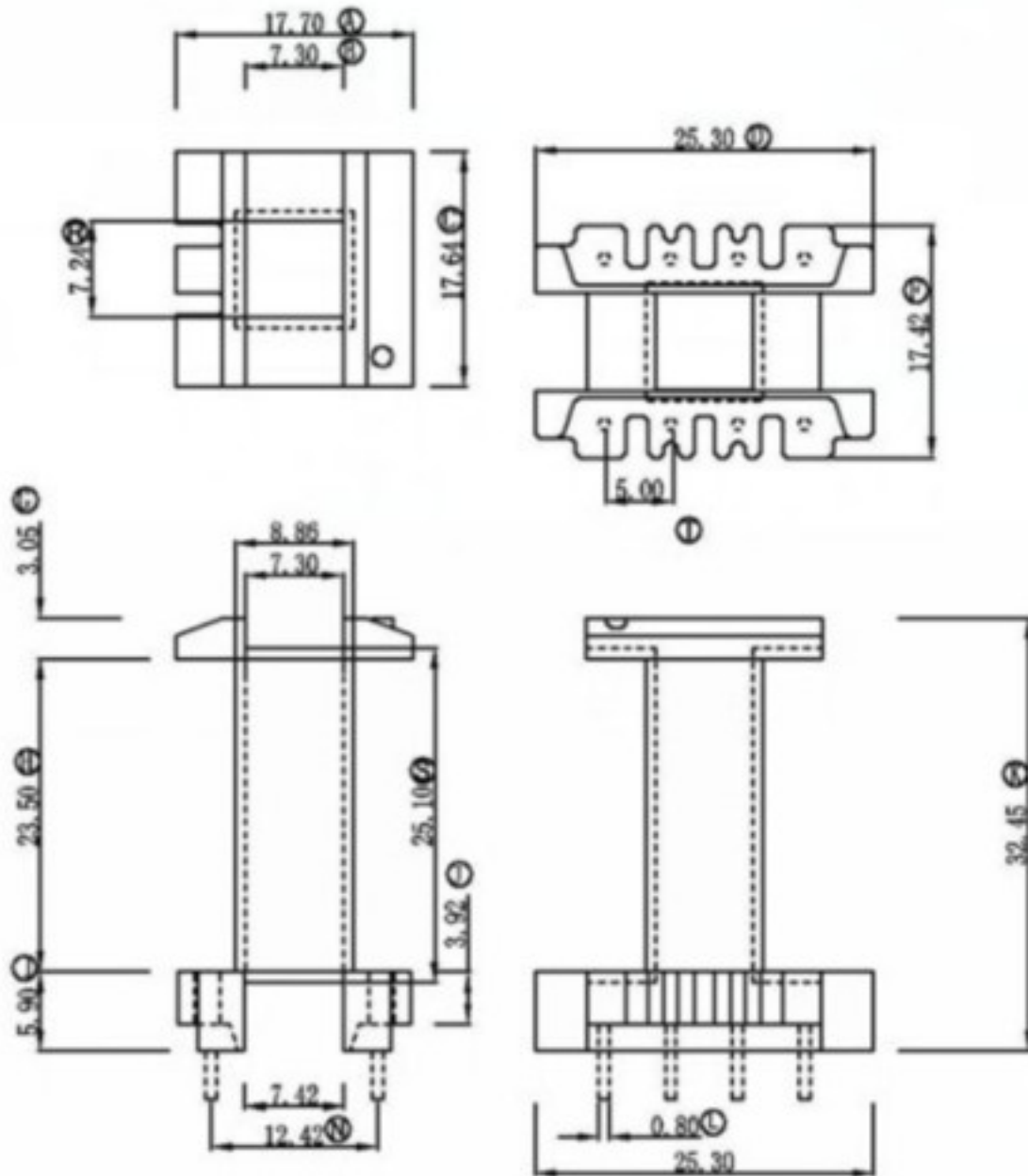
MM

DATE

2014.10.18

(TYPE)

010060251081001



**Self  
Electronic**

MODEL

EEL25/16/6

4+4

NAME

MATERIAL

PHENOLIC

TEL

021-66745473  
021-66716806

TOLERANCE

SCALE

DRAW BY

FAX

021-66742368

0 &lt; L ≤ 4 ±0.1

4 &lt; L ≤ 16 ±0.2

16 &lt; L ≤ 63 ±0.3

Pin pitch ±0.2

4/1

CHECK BY

WEBSITE

selfelectronic.com

UNIT

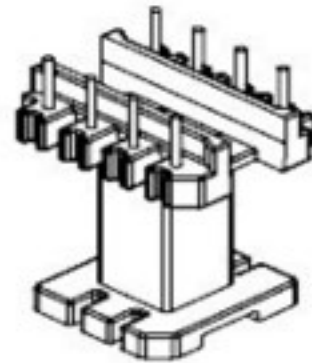
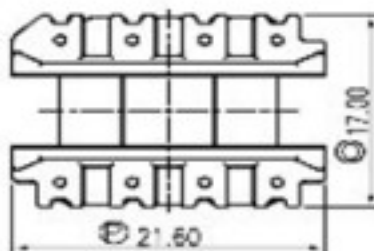
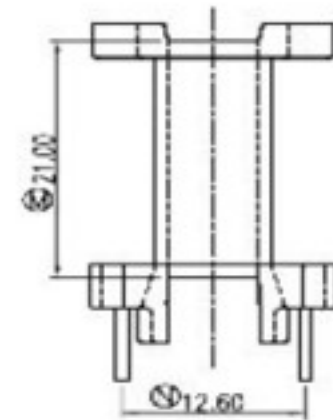
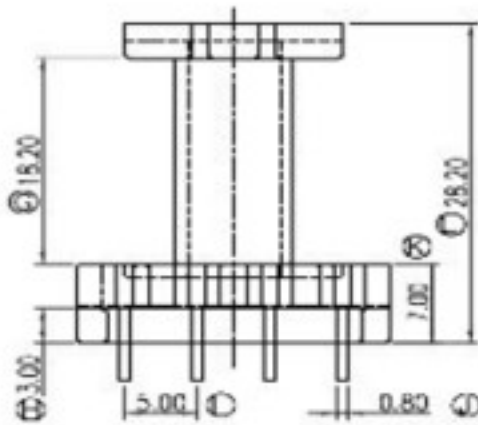
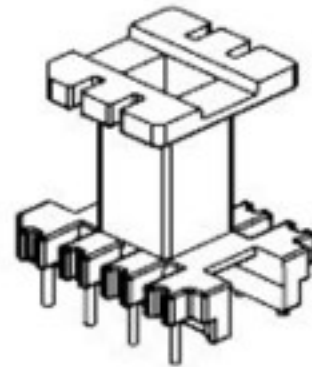
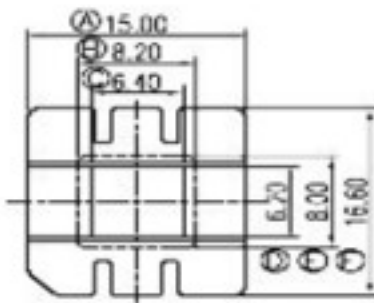
MM

DATE

2014.10.18

(TYPE)

081060221081001



**Self  
Electronic**

MODEL

EEL22/15/

4+4

MATERIAL

PHENOLIC

TEL

021-66745473  
021-66716806

TOLERANCE

SCALE

DRAW BY

FAX

021-66742368

0 &lt; L ≤ 4 ±0.1

4 &lt; L ≤ 16 ±0.2

16 &lt; L ≤ 63 ±0.3

Pin pitch ±0.2

4/1

CHECK BY

WEBSITE

selfelectronic.com

UNIT

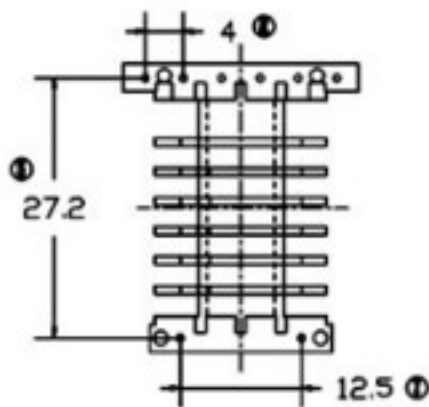
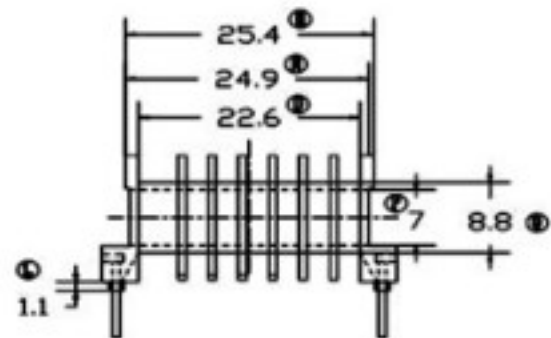
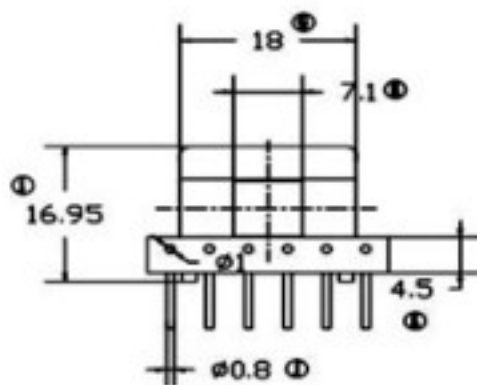
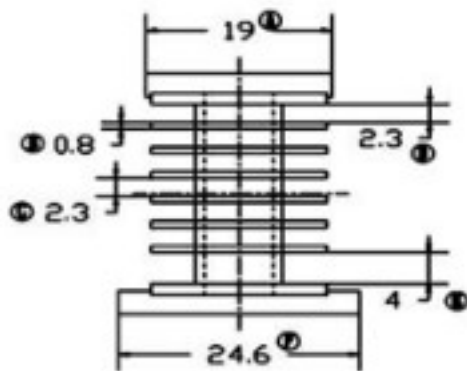
MM

DATE

2014.10.10

TYPE

031060252087001



**Self  
Electronic**

MODEL

EEL25/16/6 7

NAME

2+6

MATERIAL

PBT

TEL

021-66745473  
021-66716806

TOLERANCE

SCALE

DRAW BY

FAX

021-66742368

0 &lt; L ≤ 4 ±0.1

4 &lt; L ≤ 16 ±0.2

16 &lt; L ≤ 63 ±0.3

Pin pitch ±0.2

4/1

CHECK BY

WEBSITE

selfelectronic.com

UNIT

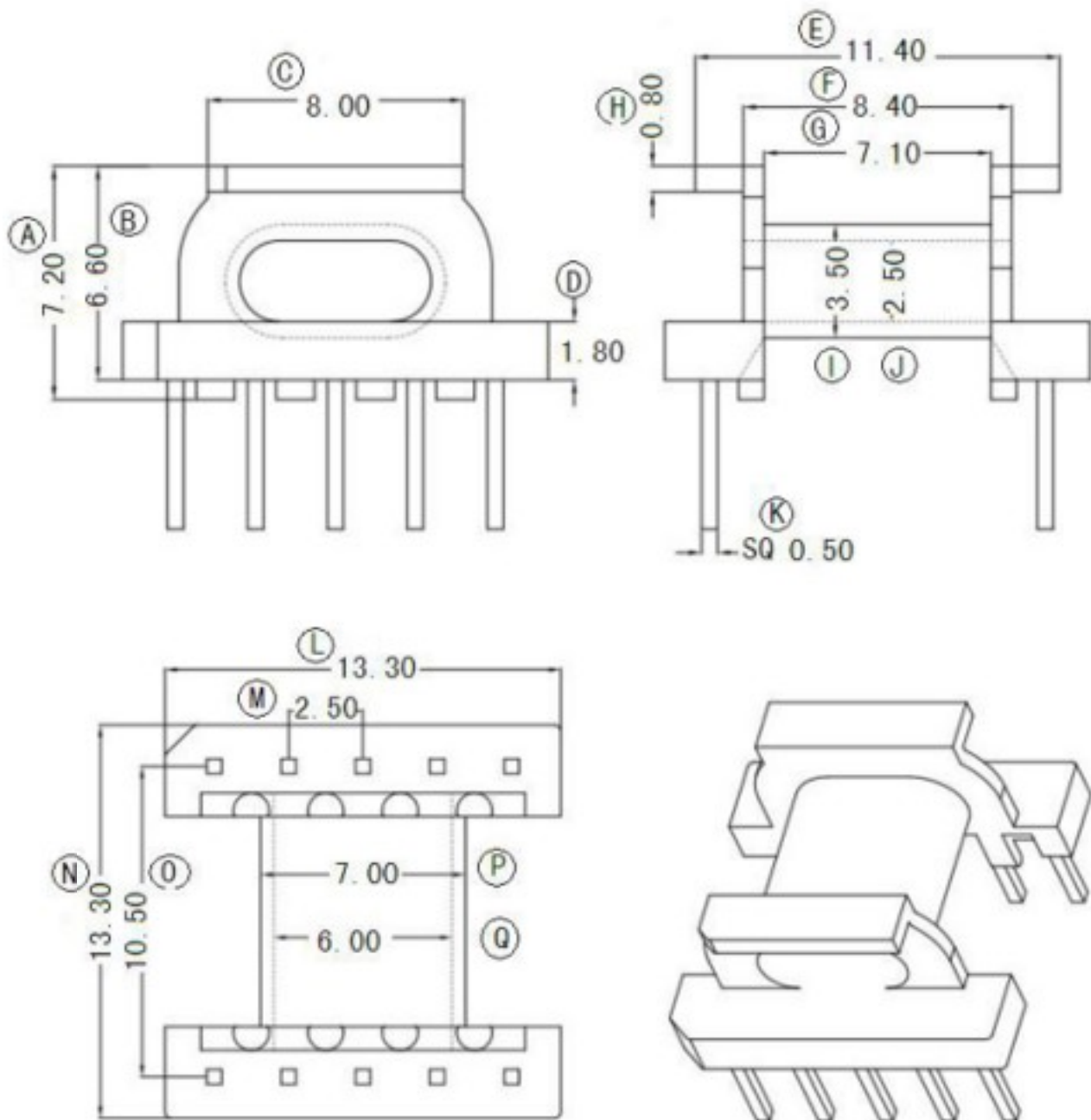
MM

DATE

2014.10.18

( TYPE)

006120132101001



### Self Electronic

MODEL

EPC13/6/5

5+5

MATERIAL

PHENOLIC

TEL

021-66745473  
021-66716806

TOLERANCE

SCALE

DRAW BY

FAX

021-66742368

0 &lt; L ≤ 4 ±0.1

4 &lt; L ≤ 16 ±0.2

16 &lt; L ≤ 63 ±0.3

Pin pitch ±0.2

4/1

CHECK BY

WEBSITE

selfelectronic.com

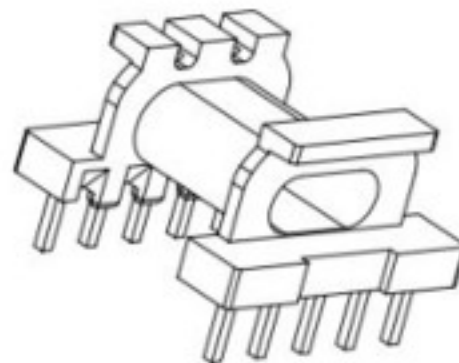
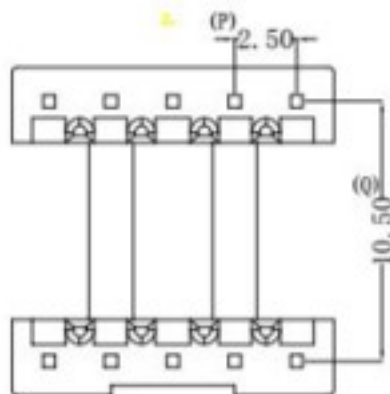
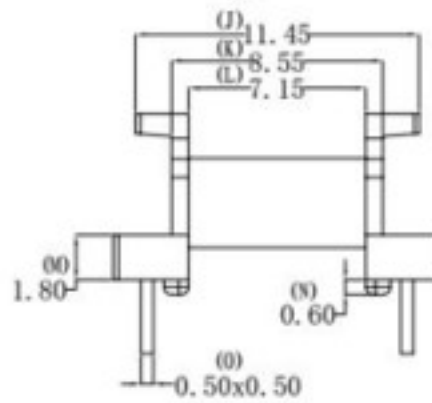
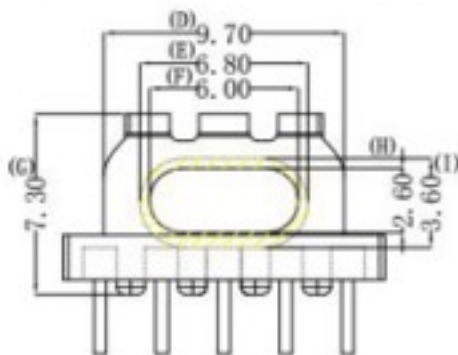
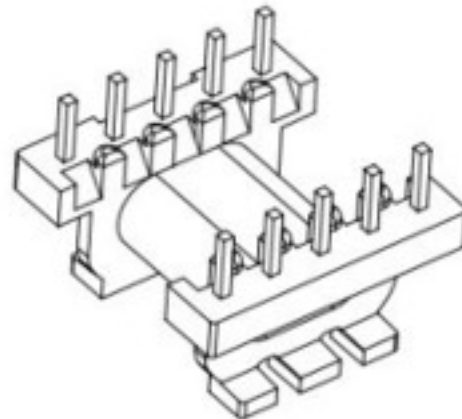
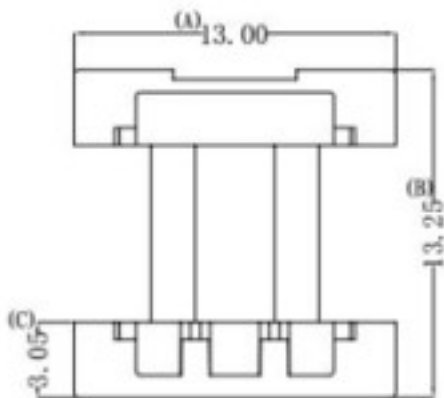
UNIT MM

DATE

2014.10.18

( TYPE)

029120132101102



### Self Electronic

MODEL  
NAME

EPC13/6/5 5+5

MATERIAL

PHENOLIC

TEL

021-66745473  
021-66716806

TOLERANCE

SCALE

DRAW BY

FAX

021-66742368

 $0 < L \leq 4 \quad \pm 0.1$   
 $4 < L \leq 16 \quad \pm 0.2$ 

4/1

CHECK BY

WEBSITE

selfelectronic.com

 $16 < L \leq 63 \quad \pm 0.3$   
 Pin pitch  $\pm 0.2$ 

UNIT

MM

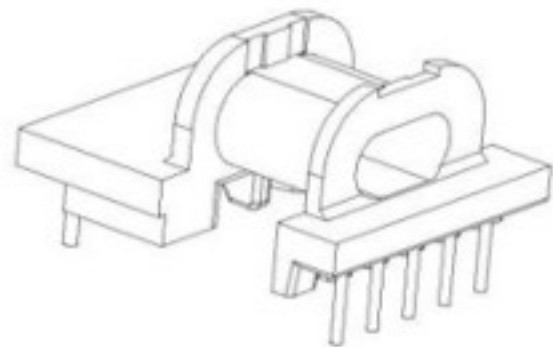
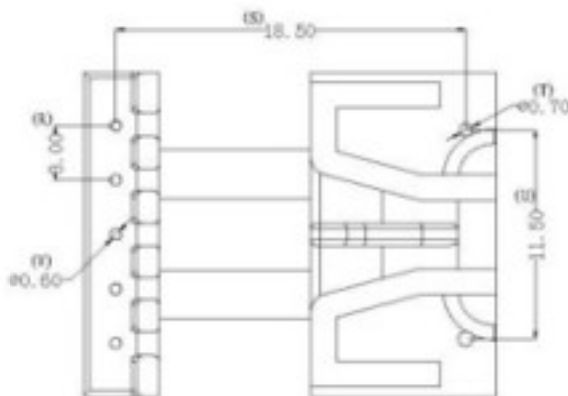
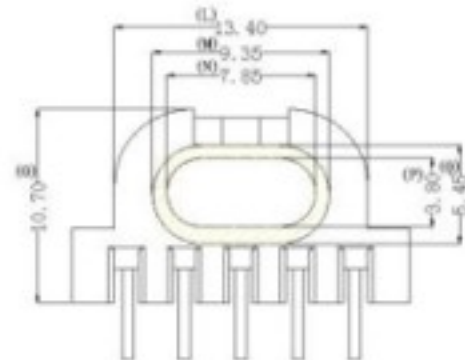
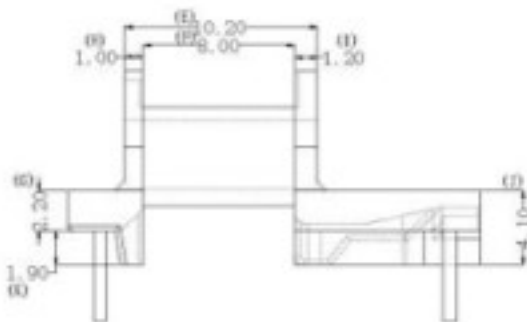
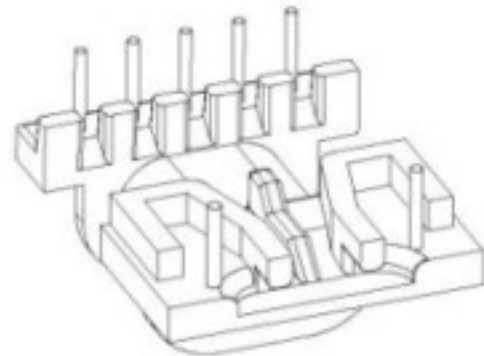
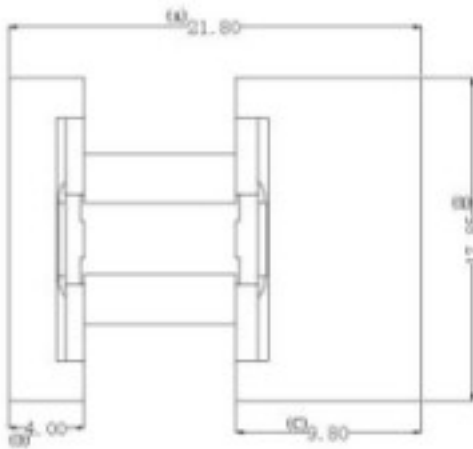
DATE

2015.11.14



( TYPE)

029120172071001



**Self  
Electronic**

MODEL  
NAME

EPC17/8/6 5+2

MATERIAL

PHENOLIC

TEL

021-66745473  
021-66716806

TOLERANCE

SCALE

DRAW BY

FAX

021-66742368

0 &lt; L ≤ 4 ±0.1

4 &lt; L ≤ 16 ±0.2

16 &lt; L ≤ 63 ±0.3

Pin pitch ±0.2

4/1

CHECK BY

WEBSITE

selfelectronic.com

UNIT

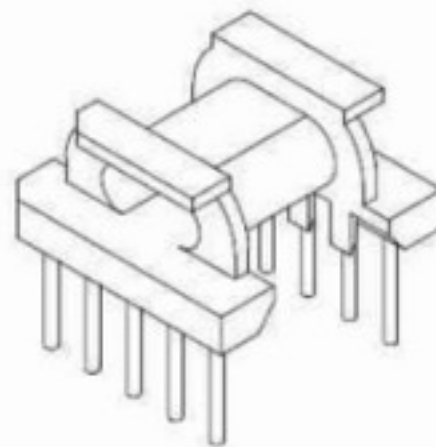
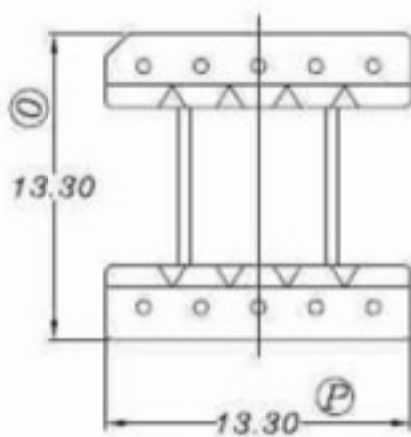
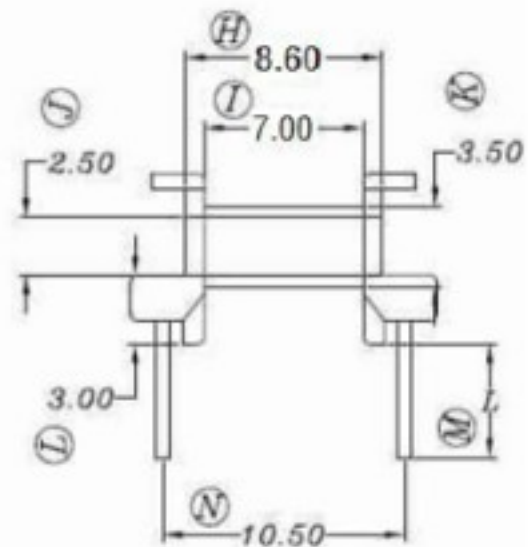
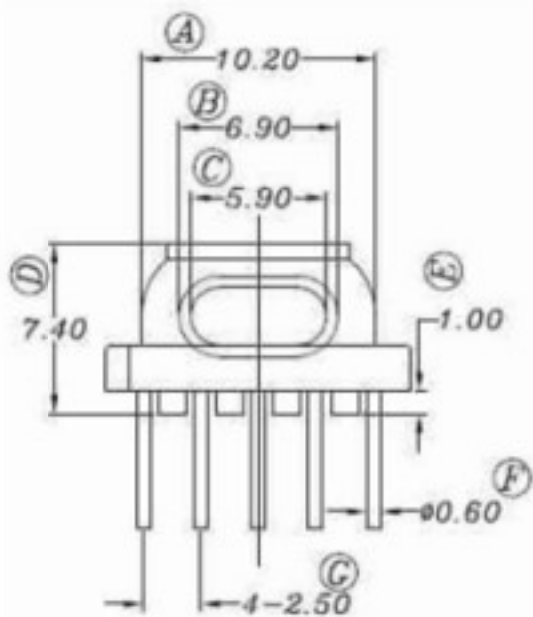
MM

DATE

2015.11.14

( TYPE)

007120132101101



### Self Electronic

MODEL

EPC13/6/5

5+5

MATERIAL

PHENOLIC

TEL

021-66745473  
021-66716806

TOLERANCE

SCALE

DRAW BY

FAX

021-66742368

 $0 < L \leq 4 \quad \pm 0.1$   
 $4 < L \leq 16 \quad \pm 0.2$   
 $16 < L \leq 63 \quad \pm 0.3$ 

4/1

CHECK BY

WEBSITE

selfelectronic.com

Pin pitch  $\pm 0.2$ 

UNIT

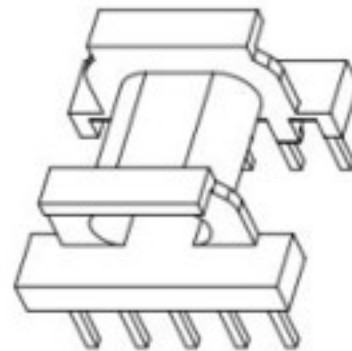
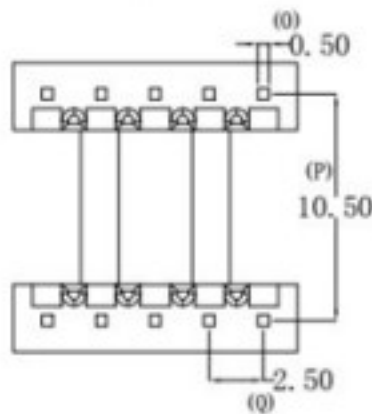
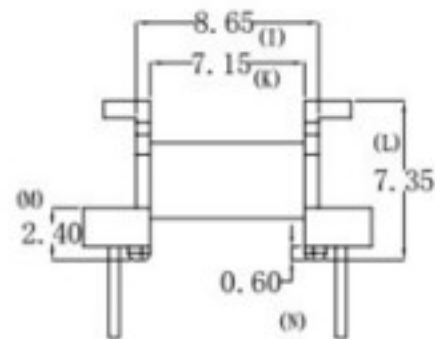
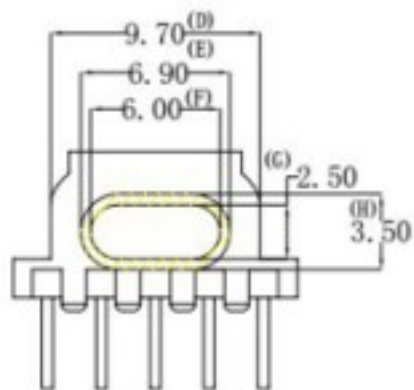
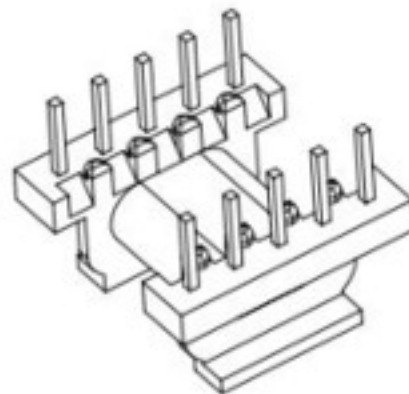
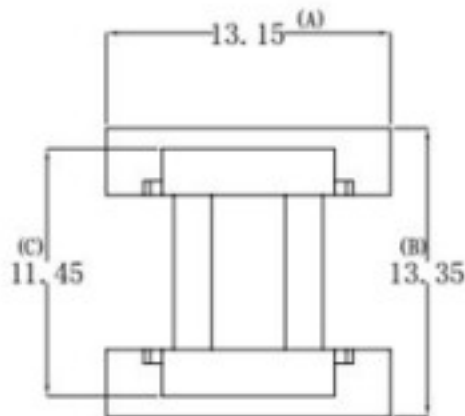
MM

DATE

2014.10.18

( TYPE)

029120132101001



### Self Electronic

MODEL

EPC13/6/5

5+5

MATERIAL

PHENOLIC

TEL

021-66745473  
021-66716806

TOLERANCE

SCALE

DRAW BY

FAX

021-66742368

 $0 < L \leq 4 \quad \pm 0.1$   
 $4 < L \leq 16 \quad \pm 0.2$   
 $16 < L \leq 63 \quad \pm 0.3$ 

4/1

CHECK BY

WEBSITE

selfelectronic.com

Pin pitch  $\pm 0.2$ 

UNIT

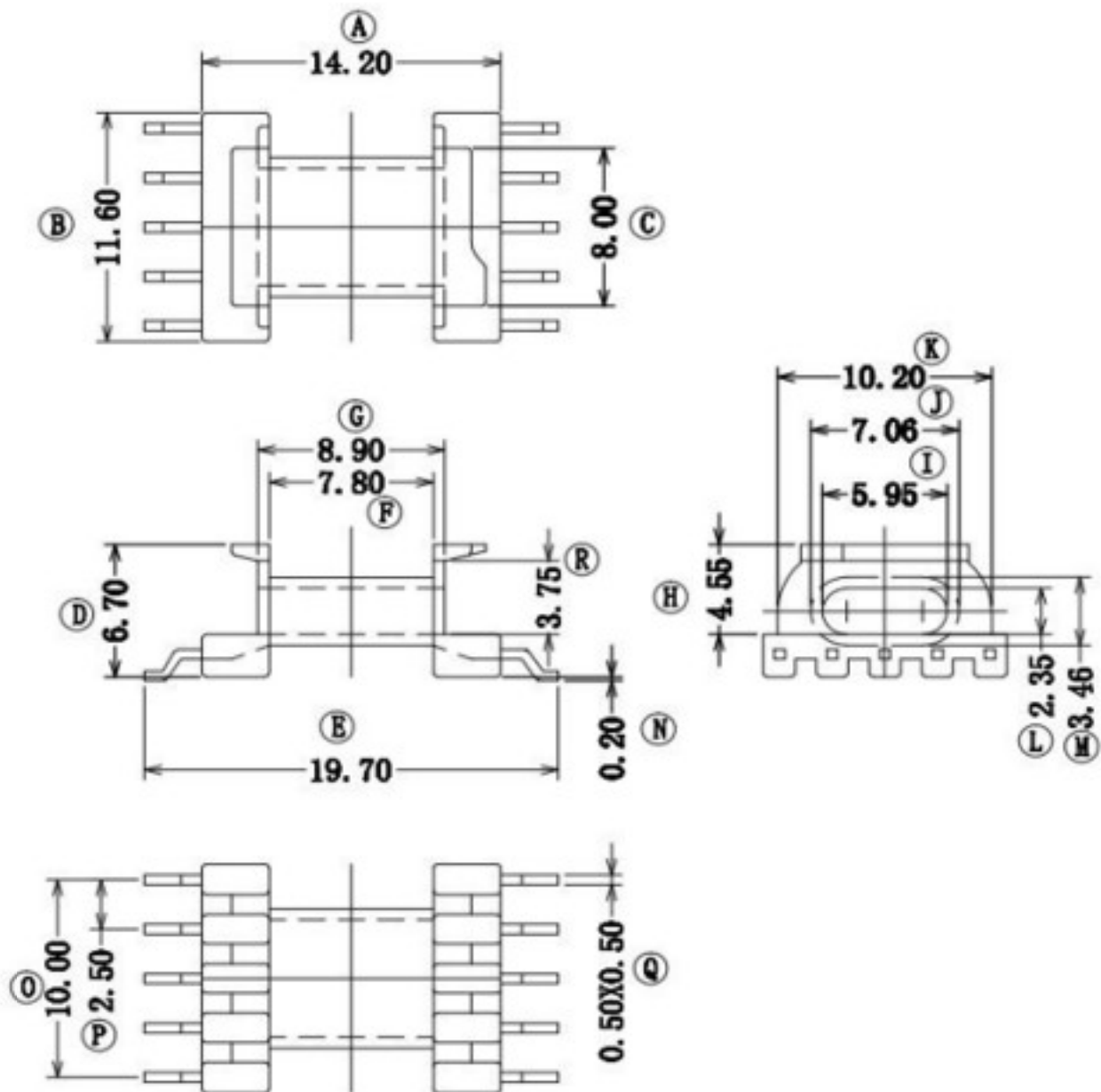
MM

DATE

2015.11.14

( TYPE)

007120132101001



**Self  
Electronic**

MODEL

EPC13/6/5 5+5

NAME

(SMD)

MATERIAL

PHENOLIC

TEL

021-66745473  
021-66716806

TOLERANCE

SCALE

DRAW BY

FAX

021-66742368

 $0 < L \leq 4 \quad \pm 0.1$   
 $4 < L \leq 16 \quad \pm 0.2$   
 $16 < L \leq 63 \quad \pm 0.3$   
 Pin pitch  $\pm 0.2$ 

4/1

CHECK BY

WEBSITE

selfelectronic.com

UNIT

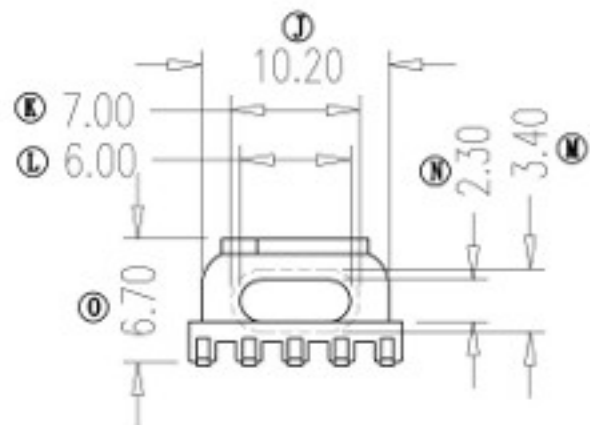
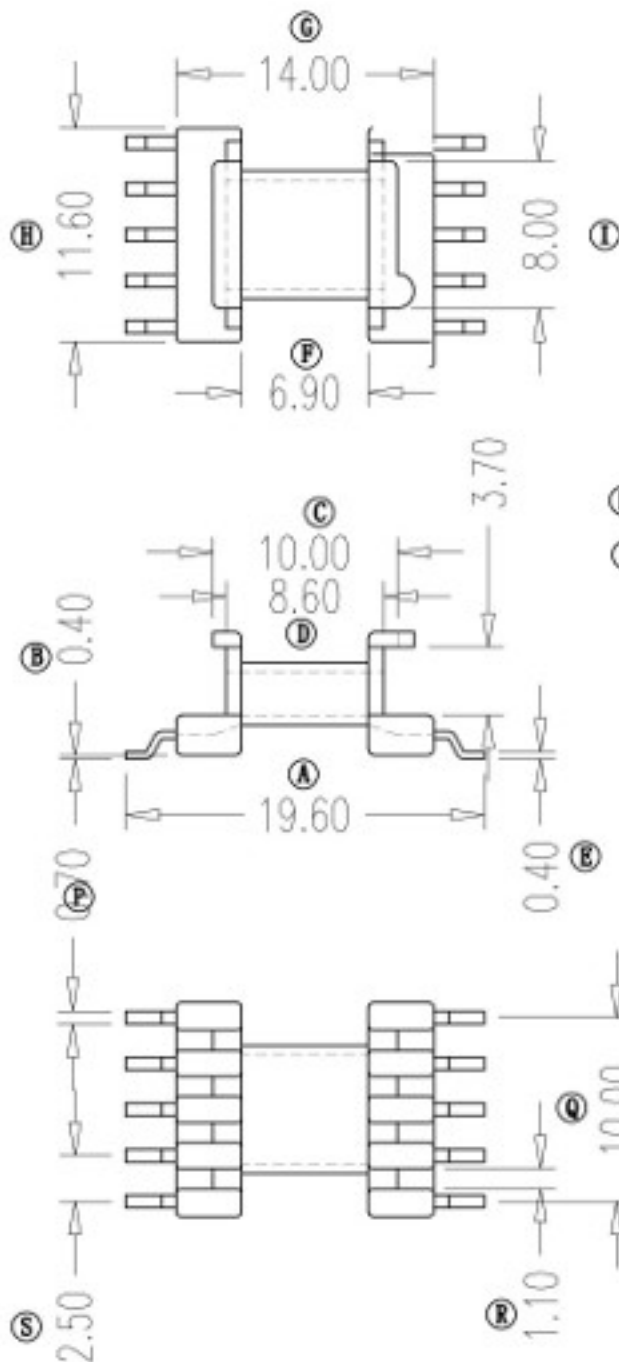
MM

DATE

2014.10.18

(TYPE)

007120132101003



**Self  
Electronic**

MODEL

EPC13/6/5 5+5

NAME

LCP

MATERIAL

LCP

TEL

021-66745473  
021-66716806

TOLERANCE

SCALE

DRAW BY

FAX

021-66742368

 $0 < L \leq 4 \quad \pm 0.1$   
 $4 < L \leq 16 \quad \pm 0.2$ 

4/1

CHECK BY

WEBSITE

selfelectronic.com

 $16 < L \leq 63 \quad \pm 0.3$   
 Pin pitch  $\pm 0.2$ 

UNIT

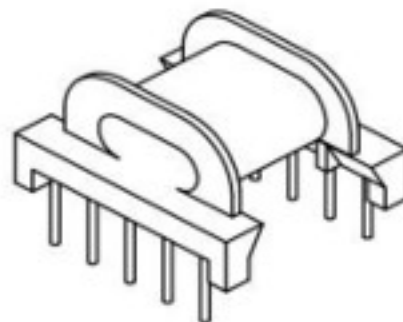
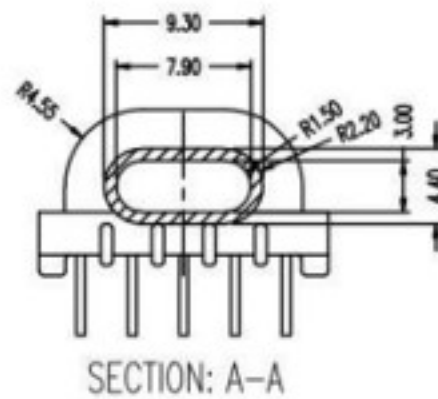
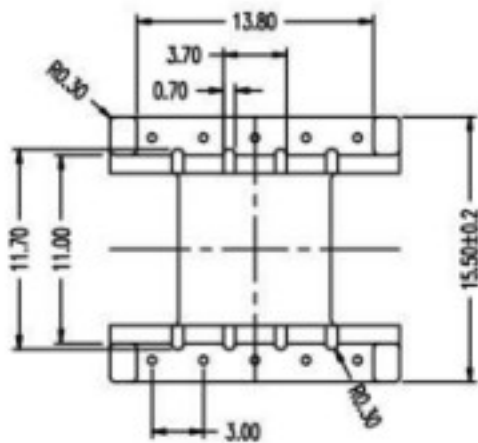
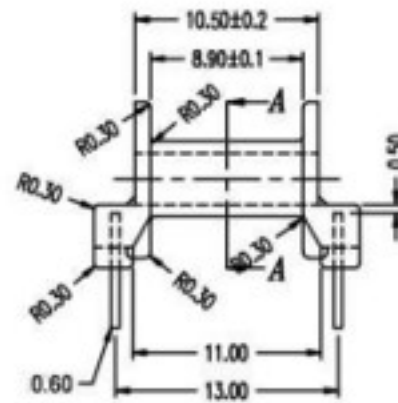
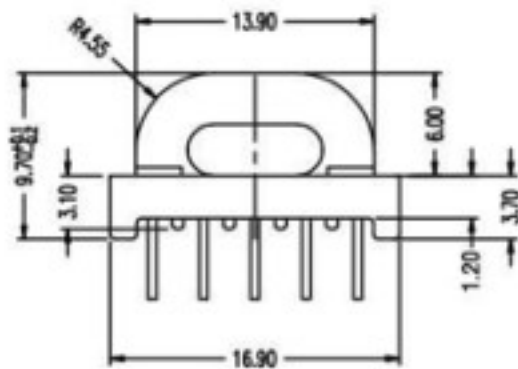
MM

DATE

2014.10.18

(TYPE)

007120172101001



**Self  
Electronic**

MODEL

EPC17/8/6

5+5

MATERIAL

PHENOLIC

TEL

021-66745473  
021-66716806

TOLERANCE

SCALE

DRAW BY

FAX

021-66742368

0 < L ≤ 4 ±0.1  
4 < L ≤ 16 ±0.2

4/1

CHECK BY

WEBSITE

selfelectronic.com

16 < L ≤ 63 ±0.3  
Pin pitch ±0.2

UNIT

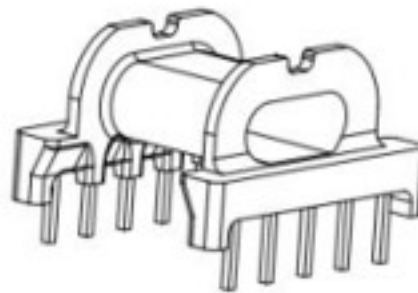
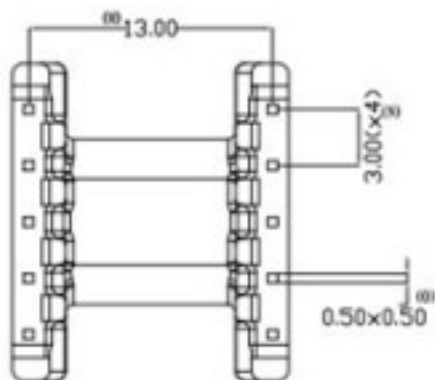
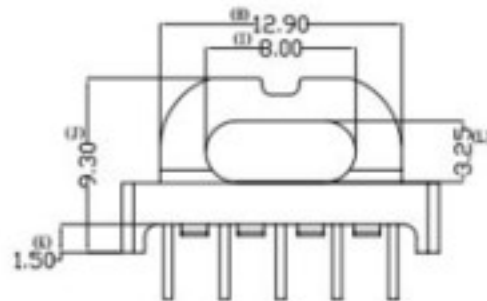
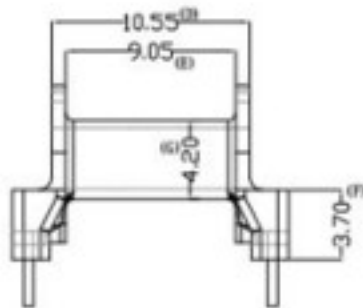
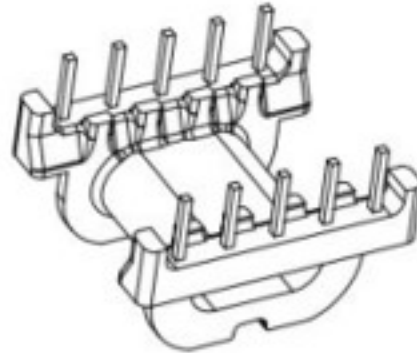
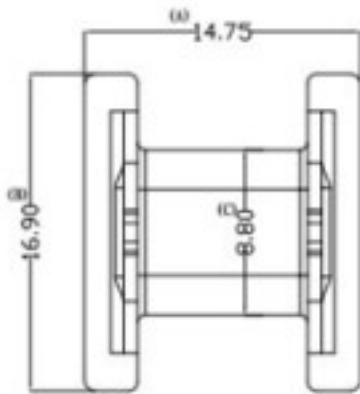
MM

DATE

2014.10.18

(TYPE)

029120172101001



**Self  
Electronic**

MODEL

EPC17/8/6 5+5

MATERIAL

PHENOLIC

TEL

021-66745473  
021-66716806

TOLERANCE

SCALE

DRAW BY

FAX

021-66742368

 $0 < L \leq 4 \quad \pm 0.1$   
 $4 < L \leq 16 \quad \pm 0.2$ 

4/1

CHECK BY

WEBSITE

selfelectronic.com

 $16 < L \leq 63 \quad \pm 0.3$   
 Pin pitch  $\pm 0.2$ 

UNIT

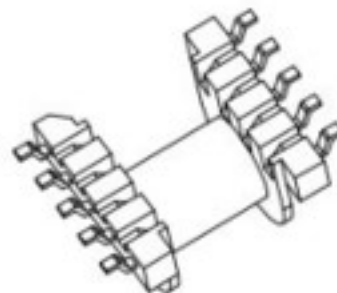
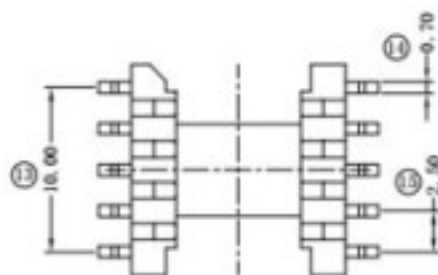
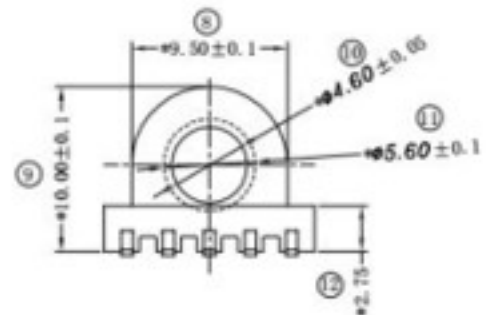
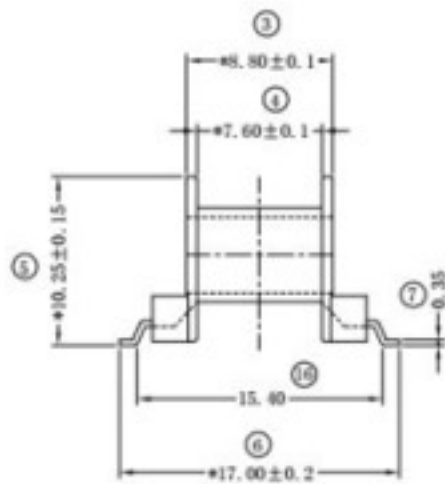
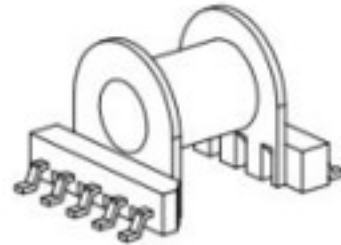
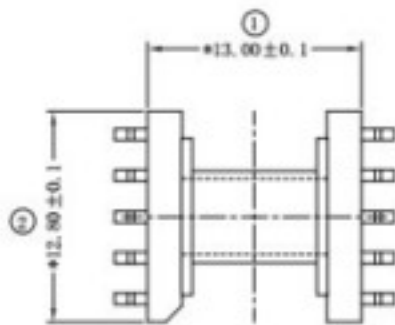
MM

DATE

2015.11.14

(TYPE)

050110132101101



**Self  
Electronic**

MODEL

EP13

5-SMD

MATERIAL

PHENOLIC

TEL

021-66745473  
021-66716806

TOLERANCE

SCALE

DRAW BY

FAX

021-66742368

0 < L ≤ 4 ±0.1  
4 < L ≤ 16 ±0.2

4/1

CHECK BY

WEBSITE

selfelectronic.com

16 < L ≤ 63 ±0.3  
Pin pitch ±0.2

UNIT

MM

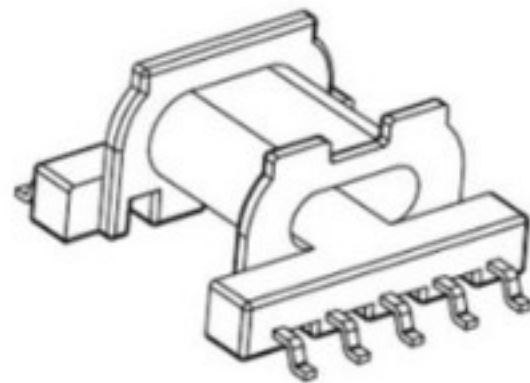
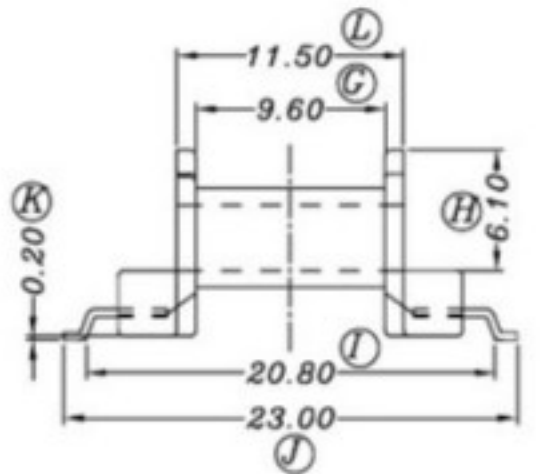
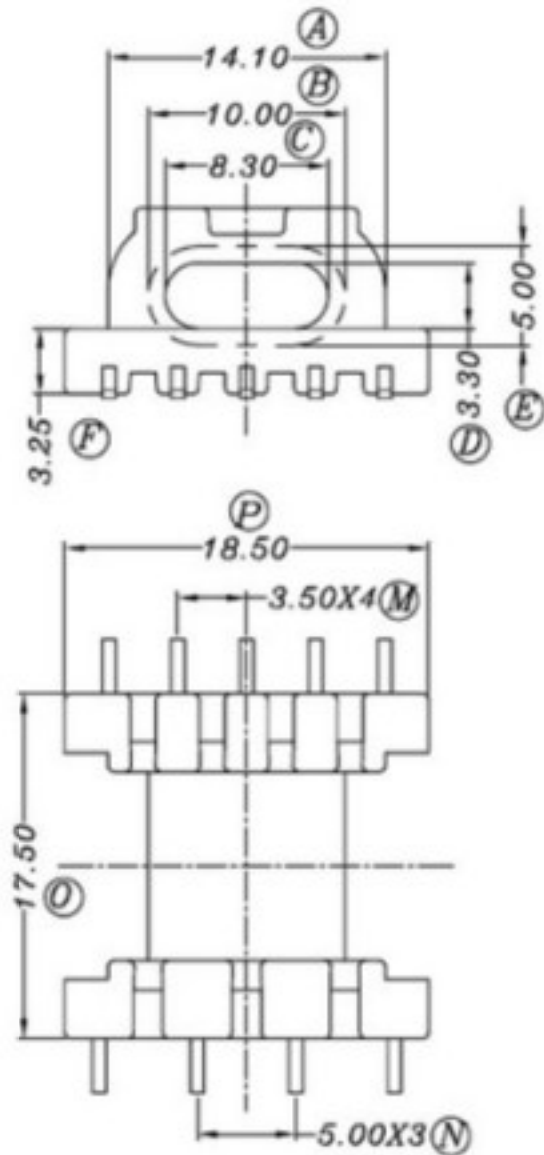
DATE

2015.11.14



(TYPE)

010120171091101



### Self Electronic

MODEL

EPC17

SMD

MATERIAL

PHENOLIC

TEL

021-66745473  
021-66716806

TOLERANCE

SCALE

DRAW BY

FAX

021-66742368

 $0 < L \leq 4 \quad \pm 0.1$   
 $4 < L \leq 16 \quad \pm 0.2$ 

4/1

CHECK BY

WEBSITE

selfelectronic.com

 $16 < L \leq 63 \quad \pm 0.3$   
 Pin pitch  $\pm 0.2$ 

UNIT

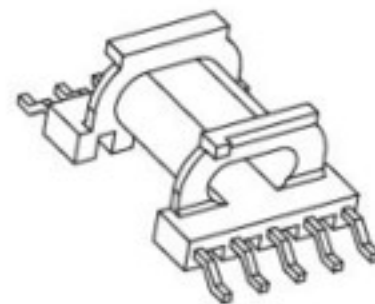
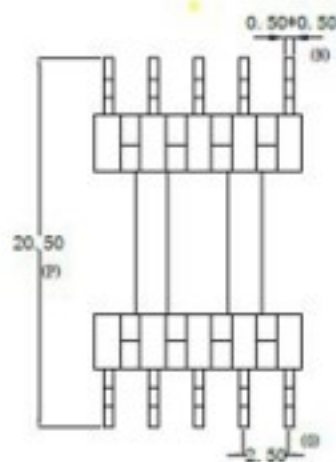
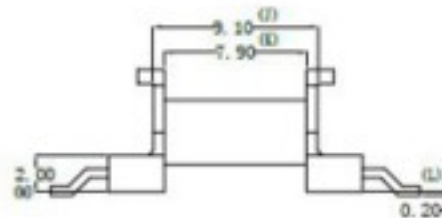
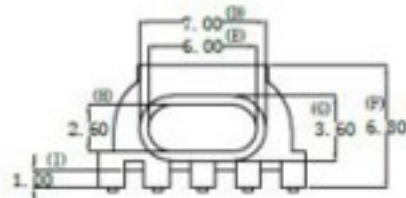
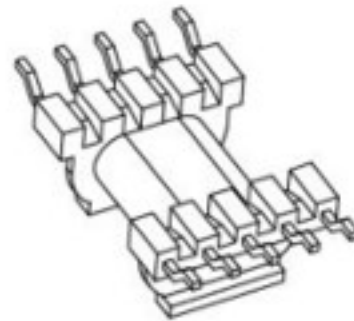
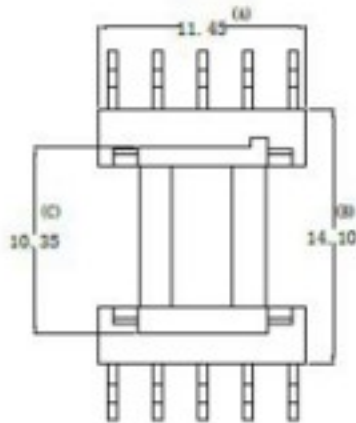
MM

DATE

2015.11.14

( TYPE)

029120132101101

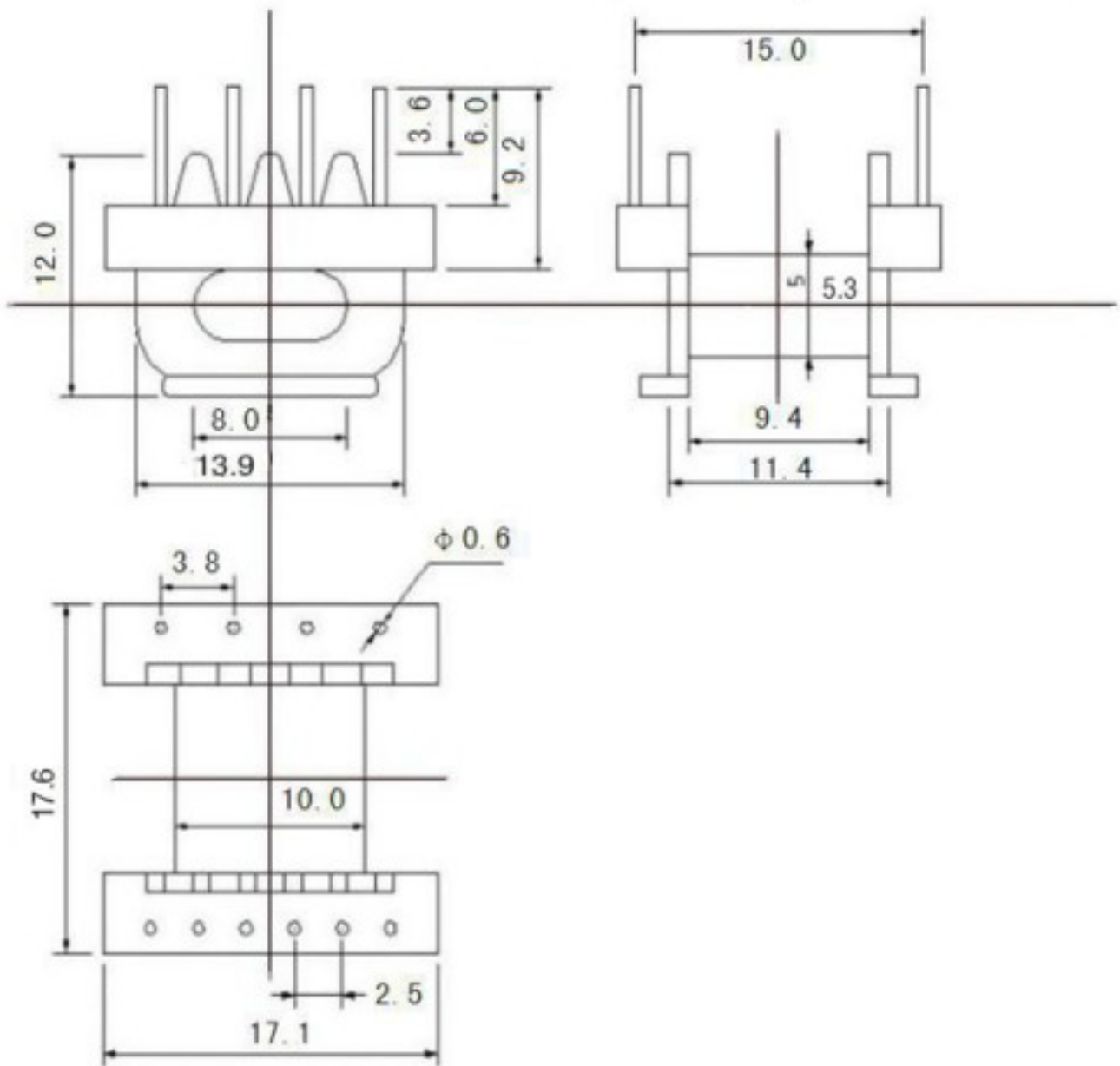


### Self Electronic

			MODEL NAME	EPC13/6/5 5+5 SMD
			MATERIAL	PHENOLIC
TEL	021-66745473 021-66716806	TOLERANCE	SCALE	DRAW BY
FAX	021-66742368	0 < L ≤ 4 ±0.1 4 < L ≤ 16 ±0.2 16 < L ≤ 63 ±0.3 Pin pitch ±0.2	4/1	CHECK BY
WEBSITE	selfelectronic.com		UNIT MM	DATE 2015.11.14

(TYPE)

072120172101101



### Self Electronic

MODEL

EPC17/8/6

4+6

MATERIAL

PHENOLIC

TEL

021-66745473  
021-66716806

TOLERANCE

SCALE

DRAW BY

FAX

021-66742368

 $0 < L \leq 4 \quad \pm 0.1$   
 $4 < L \leq 16 \quad \pm 0.2$   
 $16 < L \leq 63 \quad \pm 0.3$ 

4/1

CHECK BY

WEBSITE

selfelectronic.com

Pin pitch  $\pm 0.2$ 

UNIT

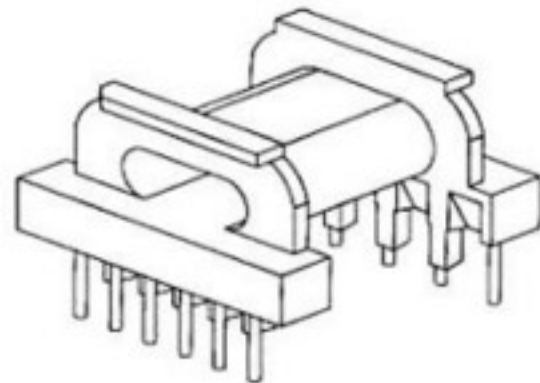
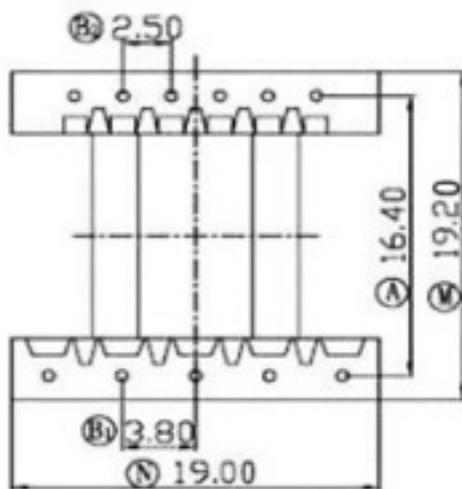
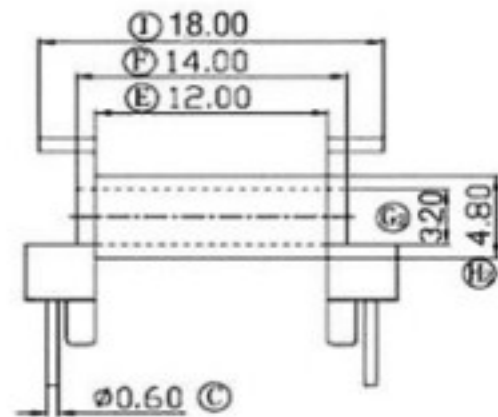
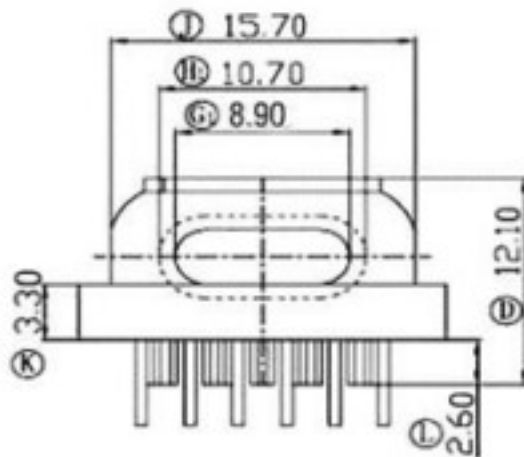
MM

DATE

2014.10.18

( TYPE)

010120192111001



### Self Electronic

MODEL

EPC19/10/6

5+6

MATERIAL

PHENOLIC

TEL

021-66745473  
021-66716806

TOLERANCE

SCALE

DRAW BY

FAX

021-66742368

0 &lt; L ≤ 4 ±0.1

4 &lt; L ≤ 16 ±0.2

16 &lt; L ≤ 63 ±0.3

Pin pitch ±0.2

4/1

CHECK BY

WEBSITE

selfelectronic.com

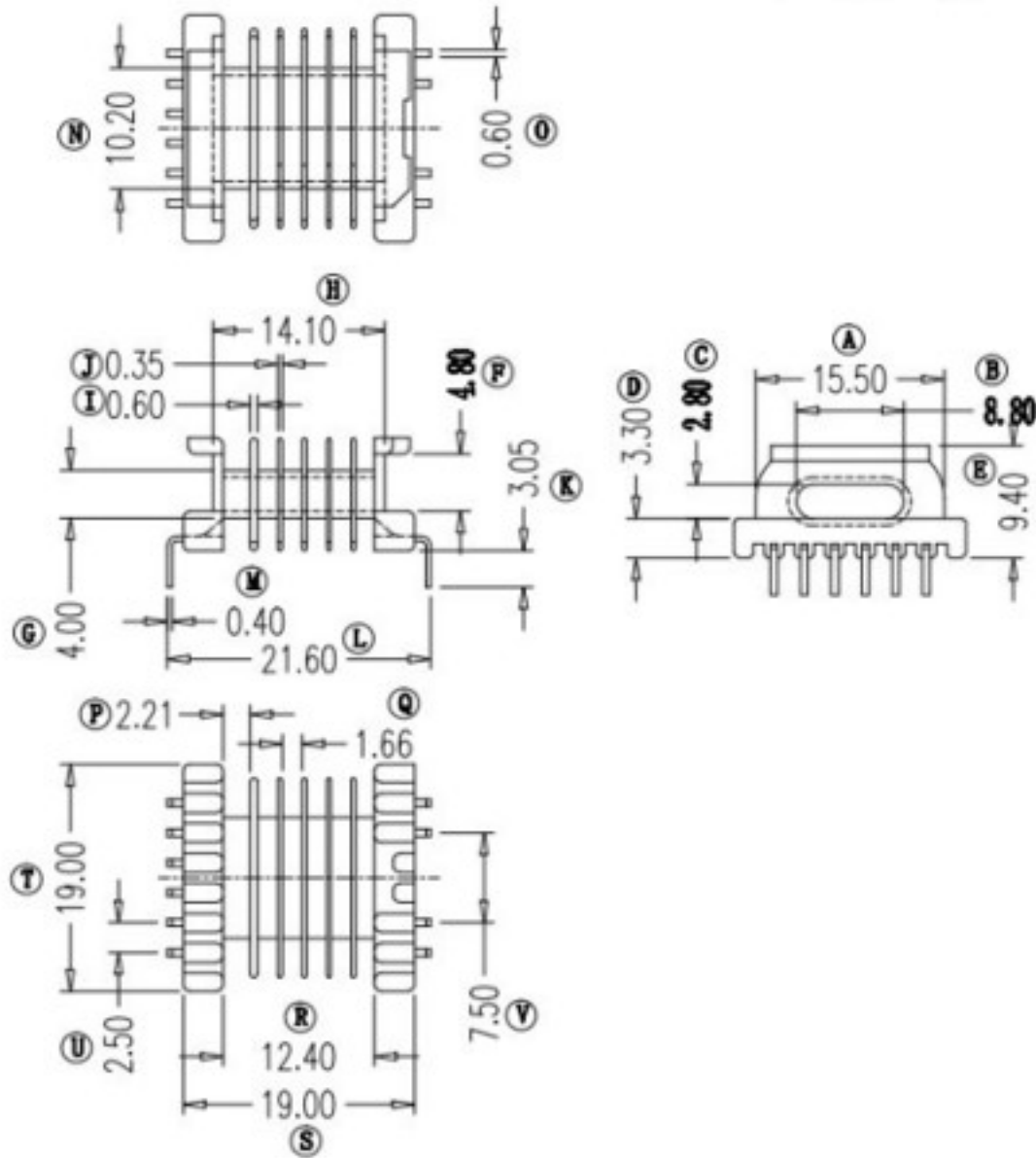
UNIT MM

DATE

2014.10.18

( TYPE)

007120192106001



### Self Electronic

MODEL  
NAMEEPC19/20/6 6  
4+6

MATERIAL

LCP

TEL

021-66745473  
021-66716806

TOLERANCE

SCALE

DRAW BY

FAX

021-66742368

 $0 < L \leq 4 \quad \pm 0.1$   
 $4 < L \leq 16 \quad \pm 0.2$   
 $16 < L \leq 63 \quad \pm 0.3$   
 Pin pitch  $\pm 0.2$ 

4/1

CHECK BY

WEBSITE

selfelectronic.com

UNIT

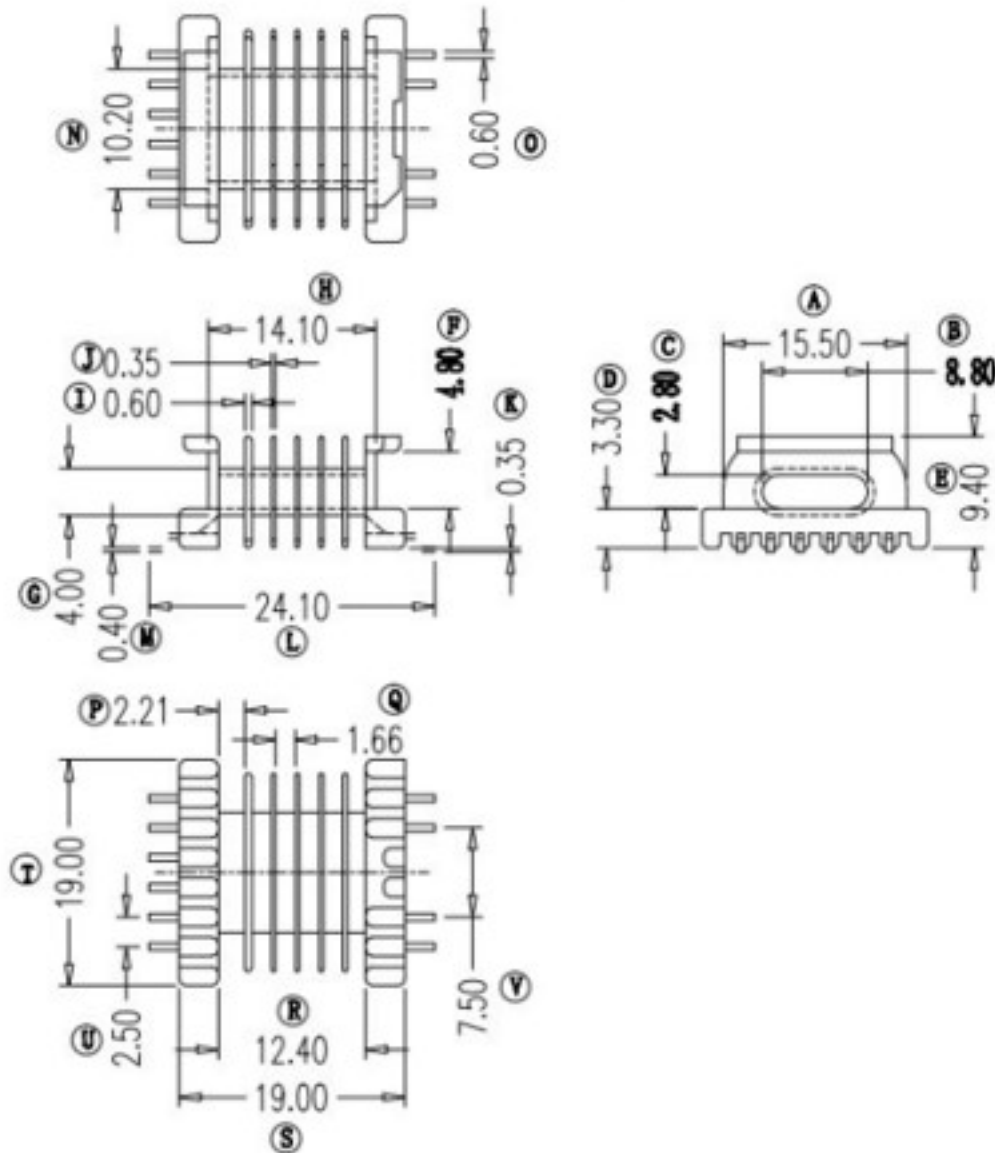
MM

DATE

2015.11.14

( TYPE)

007120192106002



### Self Electronic

MODEL  
NAMEEPC19/20/6 6  
4+6

MATERIAL

LCP

TEL

021-66745473  
021-66716806

TOLERANCE

SCALE

DRAW BY

FAX

021-66742368

 $0 < L \leq 4 \quad \pm 0.1$   
 $4 < L \leq 16 \quad \pm 0.2$   
 $16 < L \leq 63 \quad \pm 0.3$   
 Pin pitch  $\pm 0.2$ 

4/1

CHECK BY

WEBSITE

selfelectronic.com

UNIT

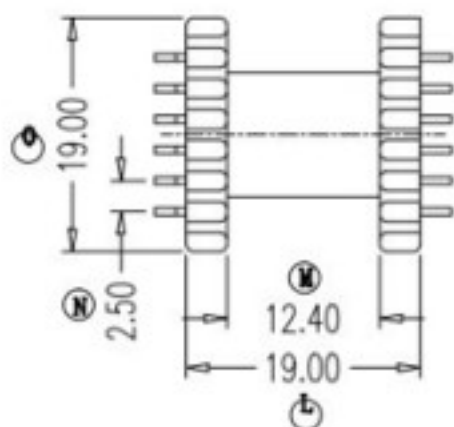
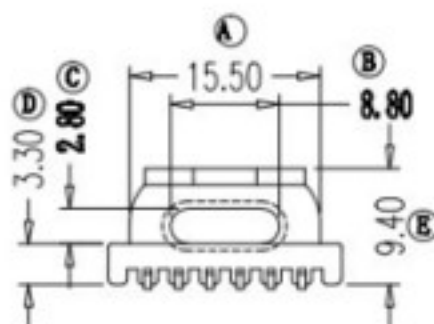
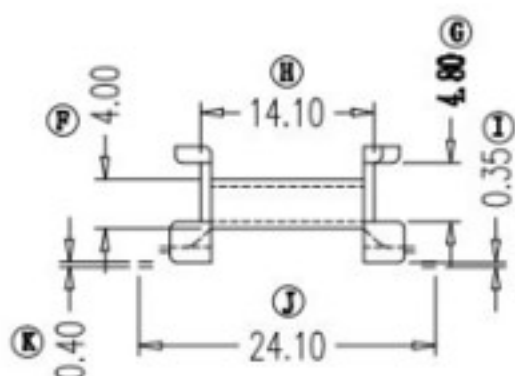
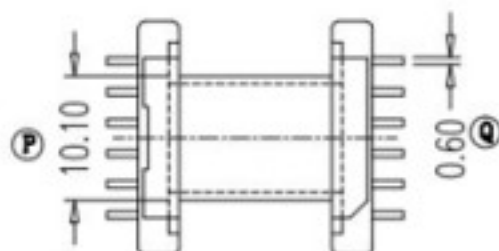
MM

DATE

2015.11.14

(TYPE)

007120192121001



**Self  
Electronic**

MODEL  
NAME

EPC19/20/6 6+6

MATERIAL

LCP

TEL

021-66745473  
021-66716806

TOLERANCE

SCALE

DRAW BY

FAX

021-66742368

0 &lt; L ≤ 4 ±0.1

4 &lt; L ≤ 16 ±0.2

16 &lt; L ≤ 63 ±0.3

Pin pitch ±0.2

4/1

CHECK BY

WEBSITE

selfelectronic.com

UNIT

MM

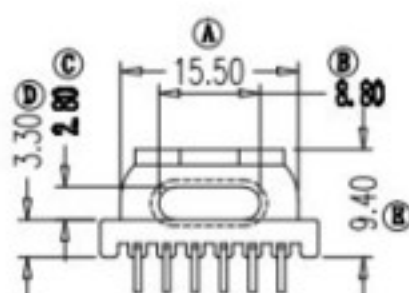
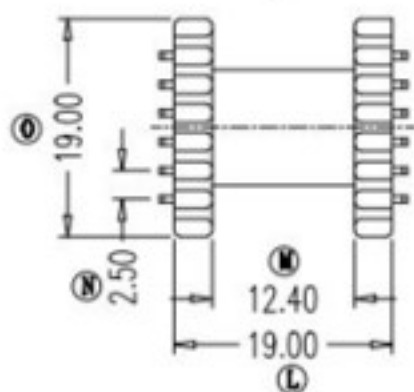
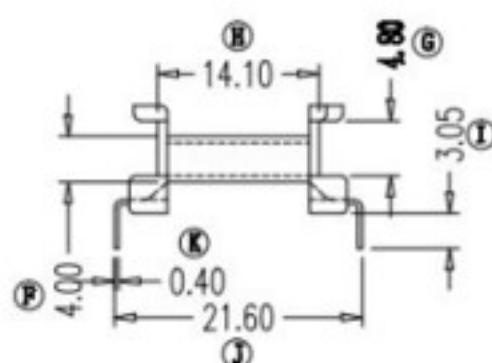
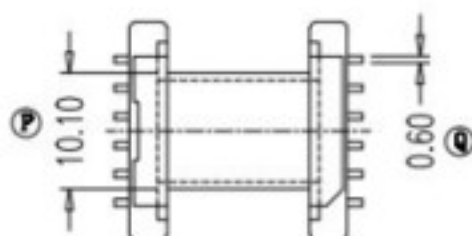
DATE

2015.11.14

(TYPE)

007120192121101

## EPC-19 L脚



**Self  
Electronic**

MODEL  
NAMEEPC19/20/6  
L 6+6

MATERIAL

LCP

TEL

021-66745473  
021-66716806

TOLERANCE

SCALE

DRAW BY

FAX

021-66742368

 $0 < L \leq 4 \quad \pm 0.1$   
 $4 < L \leq 16 \quad \pm 0.2$   
 $16 < L \leq 63 \quad \pm 0.3$ 

4/1

CHECK BY

WEBSITE

selfelectronic.com

Pin pitch  $\pm 0.2$ 

UNIT

MM

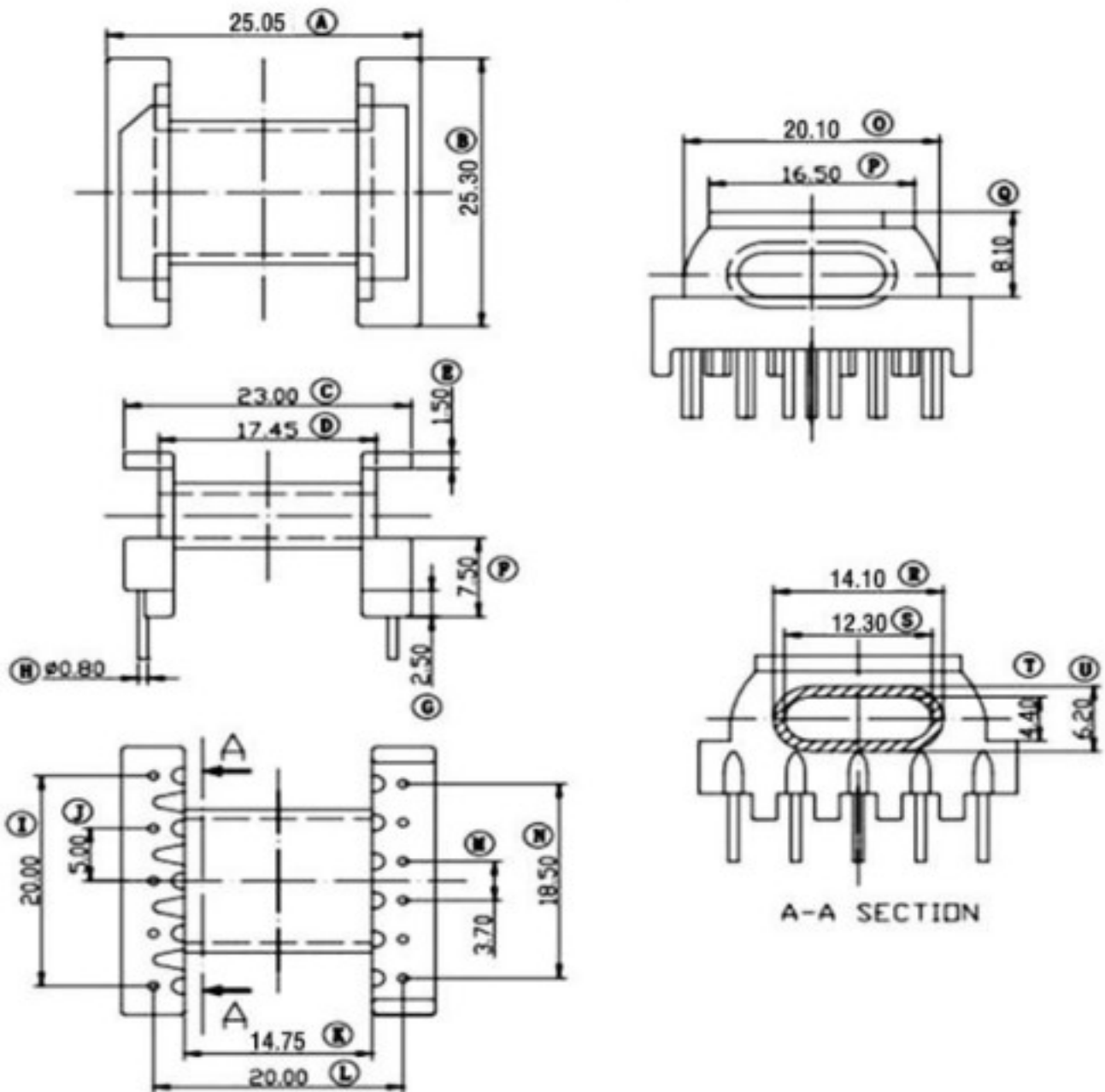
DATE

2014.10.10



(TYPE)

072120252111101



### Self Electronic

MODEL

EPC25/13/8

5+6

MATERIAL

PHENOLIC

TEL

021-66745473  
021-66716806

TOLERANCE

SCALE

DRAW BY

FAX

021-66742368

 $0 < L \leq 4$   $\pm 0.1$  $4 < L \leq 16$   $\pm 0.2$  $16 < L \leq 63$   $\pm 0.3$ Pin pitch  $\pm 0.2$ 

4/1

CHECK BY

WEBSITE

selfelectronic.com

UNIT

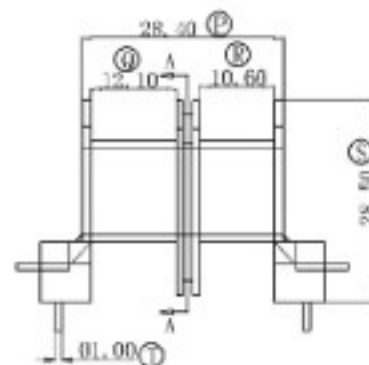
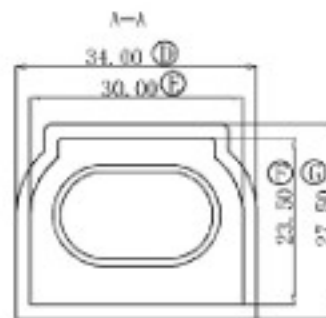
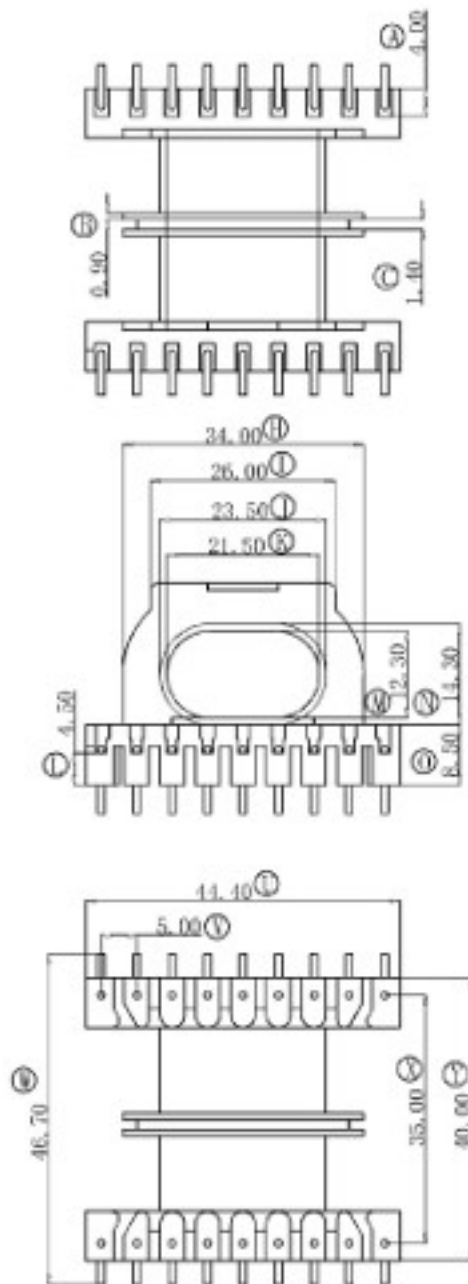
MM

DATE

2014.10.18

(TYPE)

006120462181101



**Self  
Electronic**

MODEL

EPC46

9+9

MATERIAL

PHENOLIC

TEL

021-66745473  
021-66716806

TOLERANCE

SCALE

DRAW BY

:

FAX

021-66742368

0 &lt; L ≤ 4 ±0.1

4 &lt; L ≤ 16 ±0.2

16 &lt; L ≤ 63 ±0.3

Pin pitch ±0.2

4/1

CHECK BY

:

WEBSITE

selfelectronic.com

UNIT

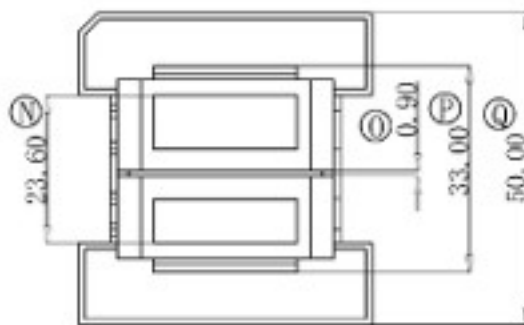
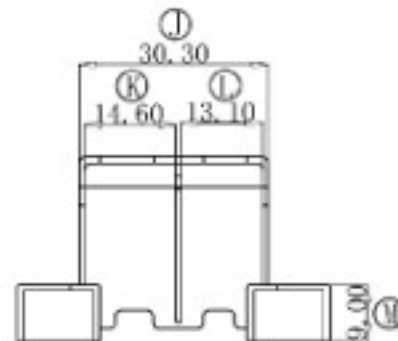
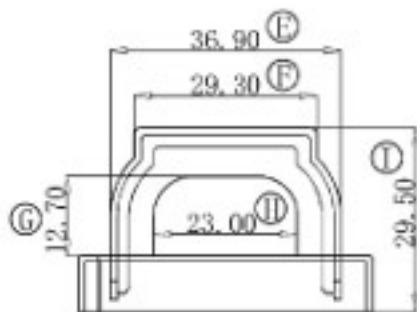
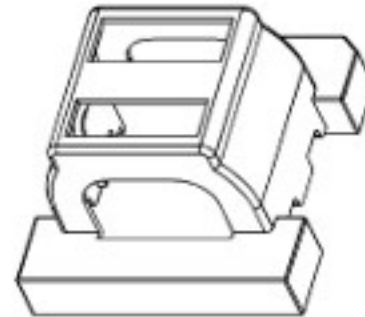
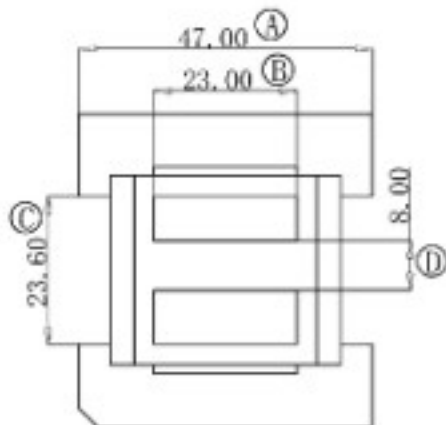
MM

DATE

2014.10.10

(TYPE)

006120462181102



**Self  
Electronic**

MODEL

EPC46

MATERIAL

PHENOLIC

TEL

021-66745473  
021-66716806

TOLERANCE

SCALE

DRAW BY

FAX

021-66742368

0 &lt; L ≤ 4 ±0.1

4 &lt; L ≤ 16 ±0.2

16 &lt; L ≤ 63 ±0.3

Pin pitch ±0.2

4/1

CHECK BY

WEBSITE

selfelectronic.com

UNIT

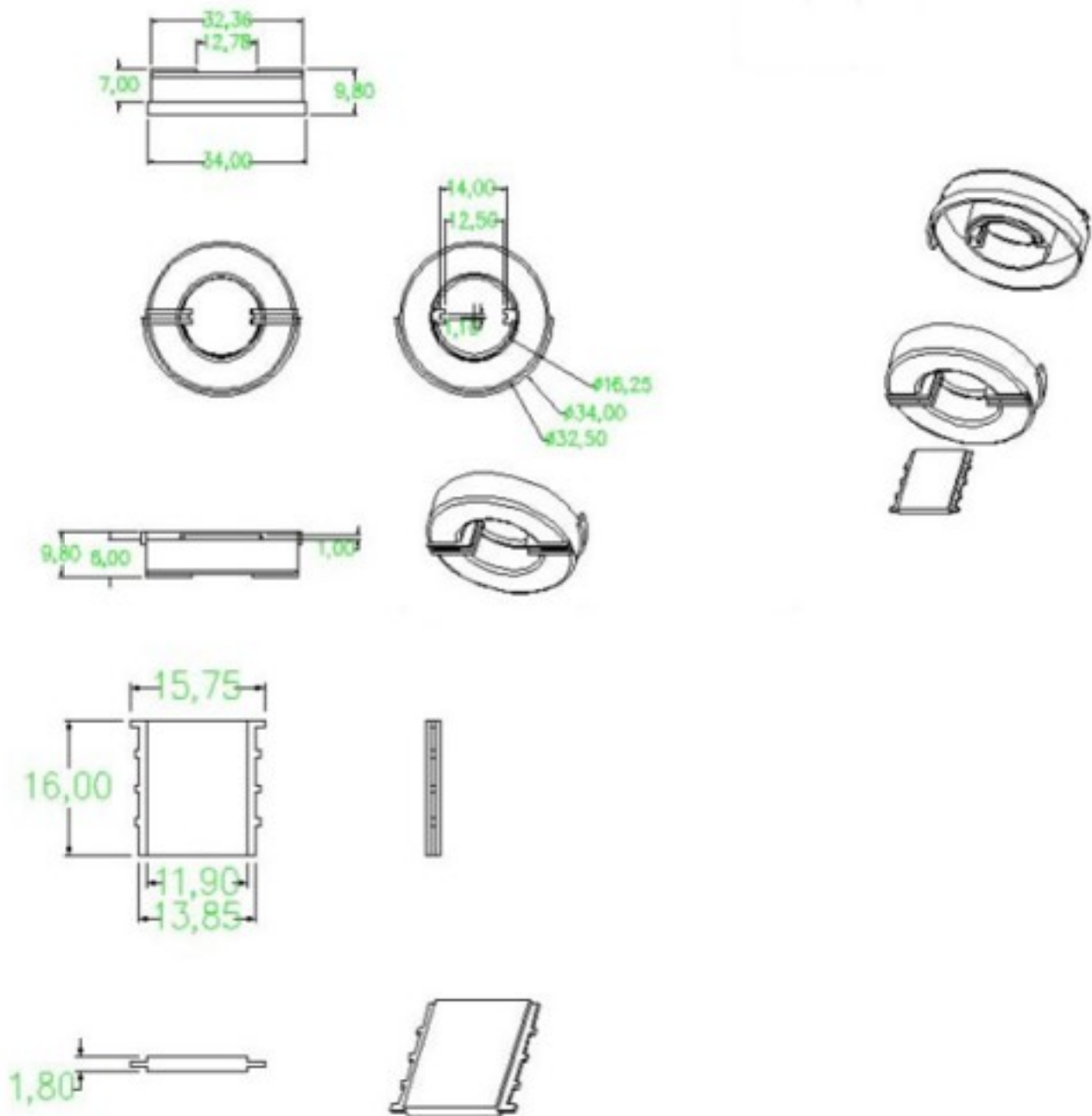
MM

DATE

2014.10.10

(TYPE)

026240311001003



**Self  
Electronic**

MODEL NAME

T31\*19\*13

MATERIAL

PET

TEL

021-66745473  
021-66716806

TOLERANCE

SCALE

DRAW BY

FAX

021-66742368

 $0 < L \leq 4 \quad \pm 0.1$   
 $4 < L \leq 16 \quad \pm 0.2$   
 $16 < L \leq 63 \quad \pm 0.3$   
 Pin pitch  $\pm 0.2$ 

4/1

CHECK BY

WEBSITE

selfelectronic.com

UNIT

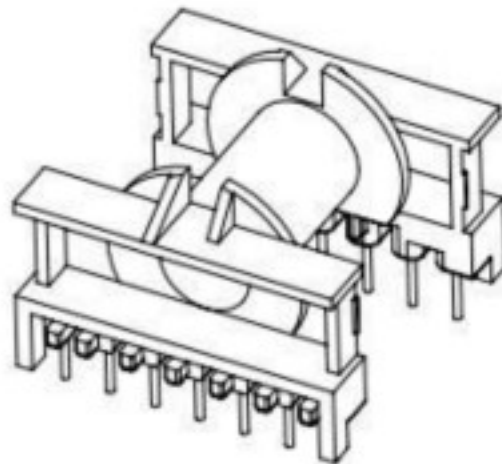
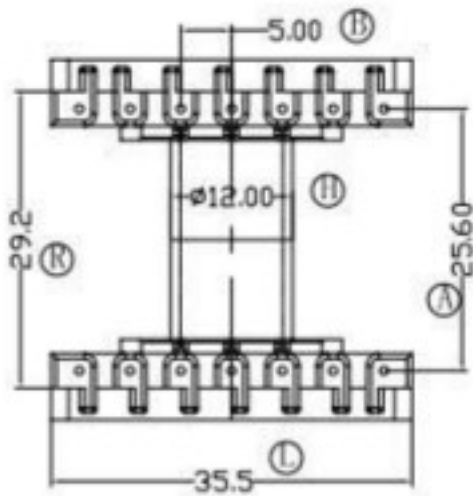
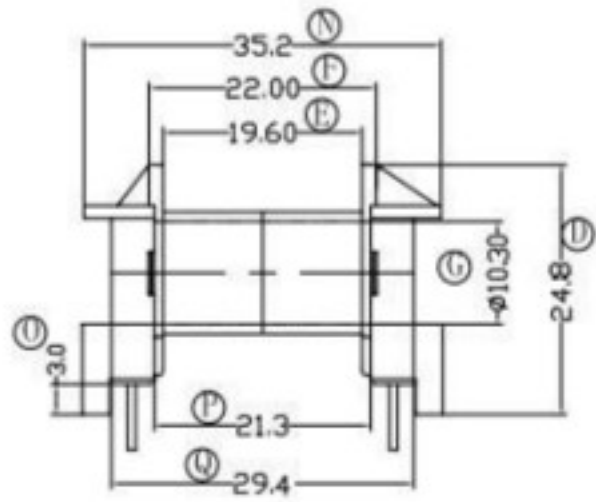
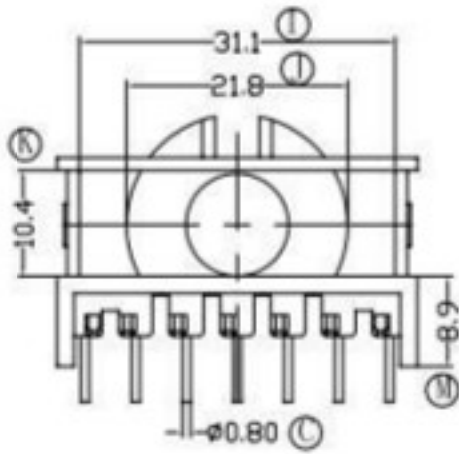
MM

DATE

2015.11.14

(TYPE)

075140292141101



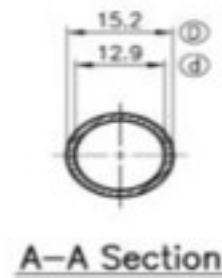
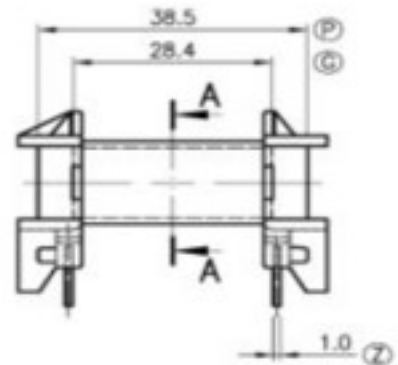
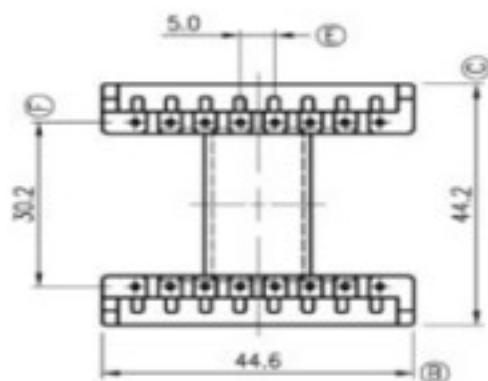
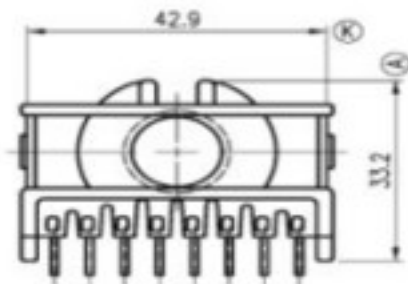
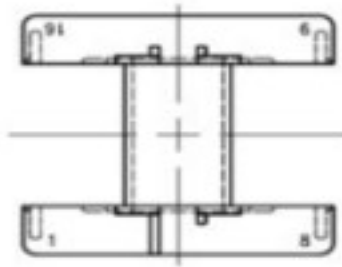
**Self Electronic**

MODEL	ETD29/15/10 7+7		
MATERIAL	PHENOLIC		
SCALE	DRAW BY		
4/1	CHECK BY		
UNIT	MM	DATE	2014.10.18

TEL	021-66745473 021-66716806	TOLERANCE
FAX	021-66742368	0 < L ≤ 4 ±0.1 4 < L ≤ 16 ±0.2 16 < L ≤ 63 ±0.3 Pin pitch ±0.2
WEBSITE	selfelectronic.com	

(TYPE)

010140392161002



A-A Section

### Self Electronic

MODEL

ETD39/20/13

8+8

MATERIAL

PHENOLIC

TEL

021-66745473  
021-66716806

TOLERANCE

SCALE

DRAW BY

FAX

021-66742368

0 &lt; L ≤ 4 ±0.1

4 &lt; L ≤ 16 ±0.2

16 &lt; L ≤ 63 ±0.3

Pin pitch ±0.2

4/1

CHECK BY

WEBSITE

selfelectronic.com

UNIT

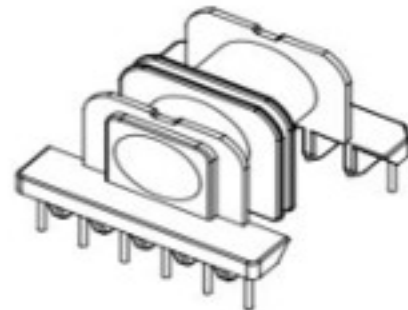
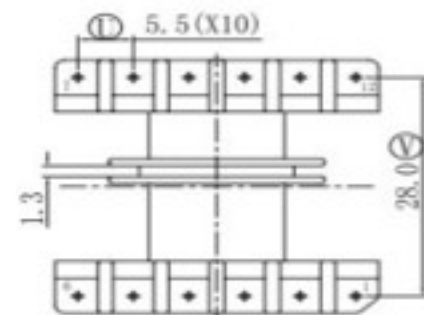
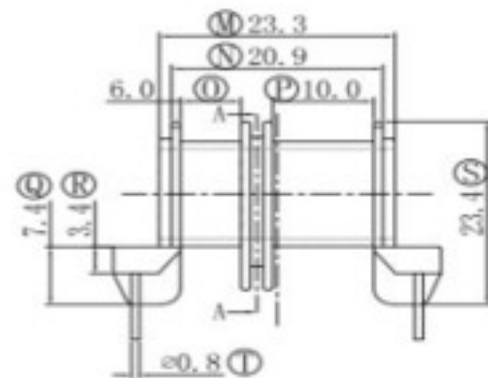
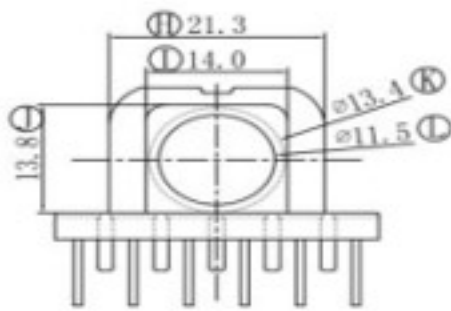
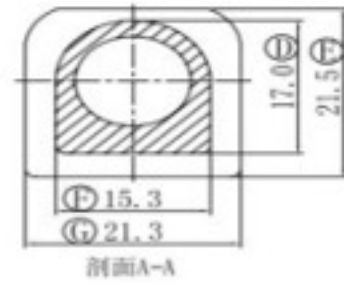
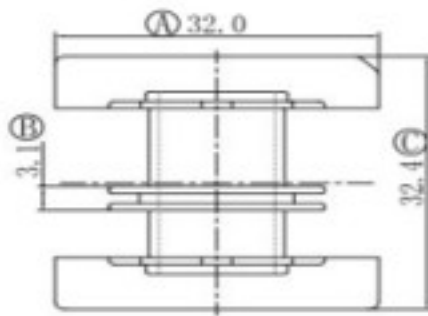
MM

DATE

2015.11.17

(TYPE)

010140342122001



**Self  
Electronic**

MODEL

ETD34/17/11  
6+6

MATERIAL

PHENOLIC

TEL

021-66745473  
021-66716806

TOLERANCE

SCALE

DRAW BY

FAX

021-66742368

0 < L ≤ 4 ±0.1  
4 < L ≤ 16 ±0.2

4/1

CHECK BY

WEBSITE

selfelectronic.com

16 < L ≤ 63 ±0.3  
Pin pitch ±0.2

UNIT

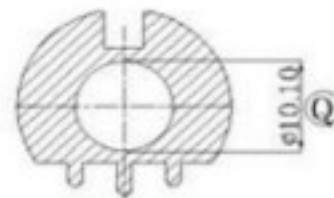
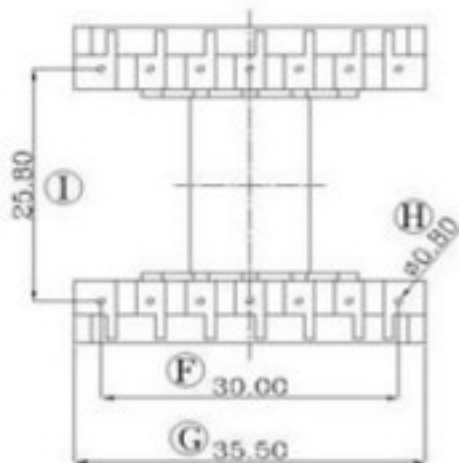
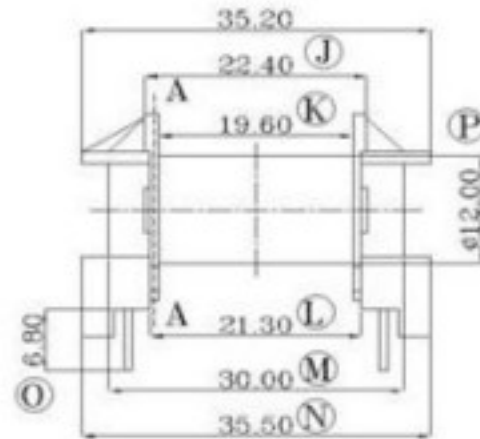
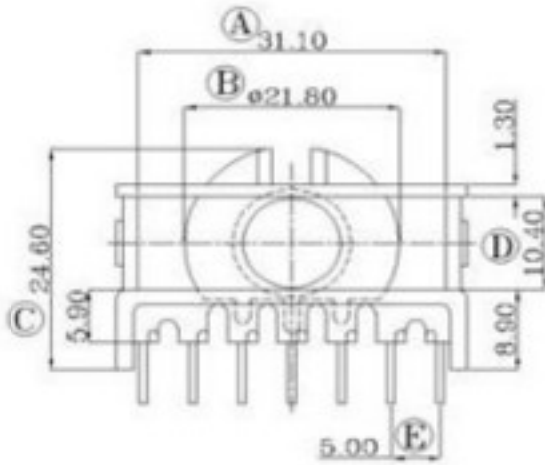
MM

DATE

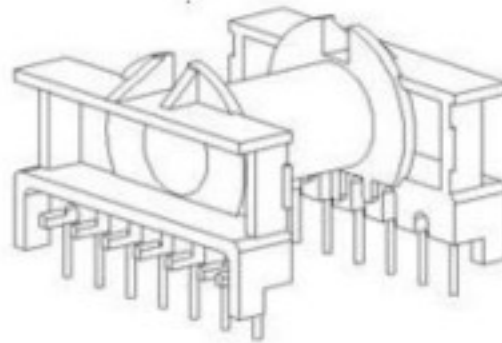
2015.11.17

(TYPE)

010140292141001



SEC A-A



**Self  
Electronic**

MODEL

ETD29/15/10

7+7

MATERIAL

PHENOLIC

TEL

021-66745473  
021-66716806

TOLERANCE

SCALE

DRAW BY

FAX

021-66742368

0 &lt; L ≤ 4 ±0.1

4 &lt; L ≤ 16 ±0.2

16 &lt; L ≤ 63 ±0.3

Pin pitch ±0.2

4/1

CHECK BY

WEBSITE

selfelectronic.com

UNIT

MM

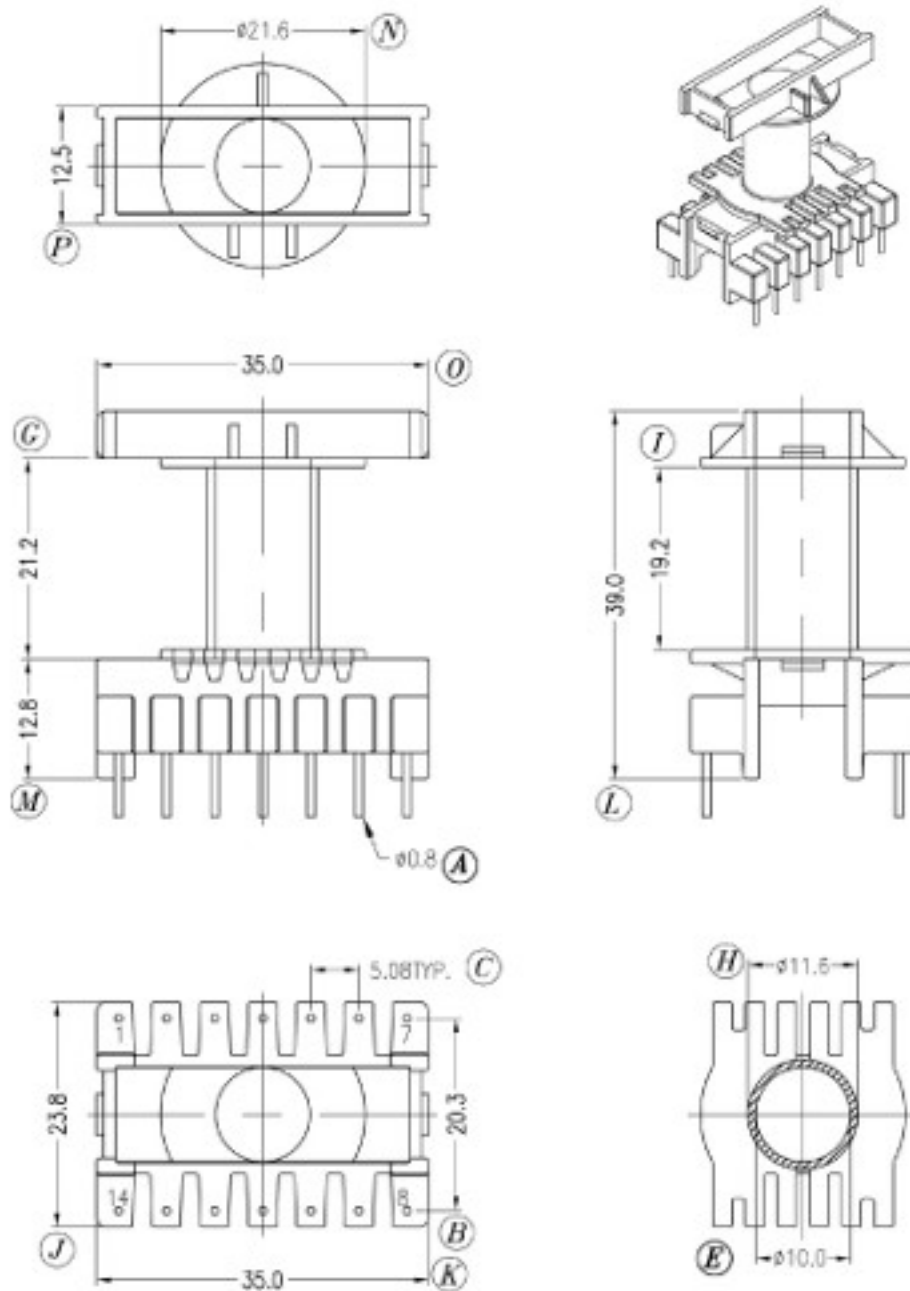
DATE

2015.11.17



(TYPE)

078140291141001



### Self Electronic

MODEL

ETD29/15/10

7+7

MATERIAL

PHENOLIC

TEL

021-66745473  
021-66716806

TOLERANCE

SCALE

DRAW BY

FAX

021-66742368

0 &lt; L ≤ 4 ±0.1

4 &lt; L ≤ 16 ±0.2

16 &lt; L ≤ 63 ±0.3

Pin pitch ±0.2

4/1

CHECK BY

WEBSITE

selfelectronic.com

UNIT

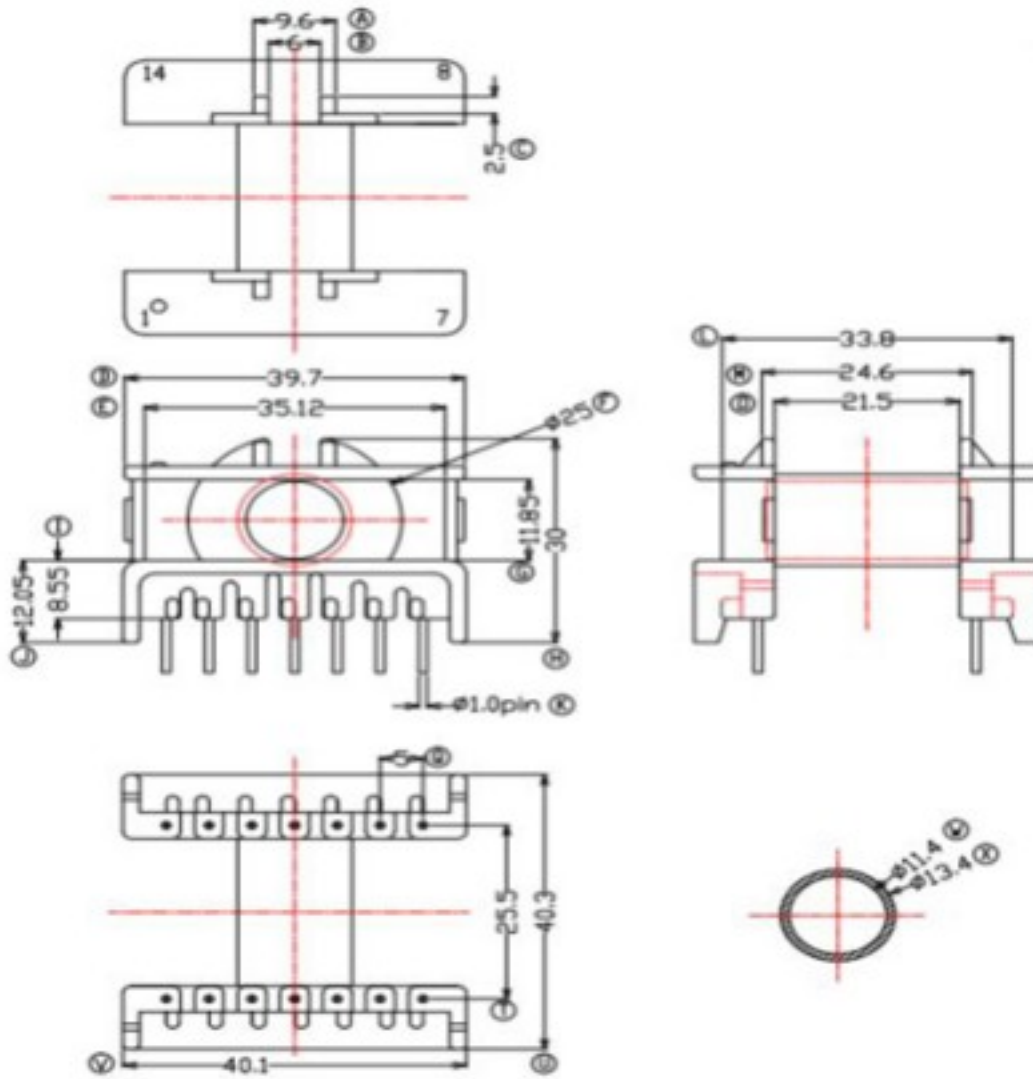
MM

DATE

2014.10.18

(TYPE)

010140342141002



**Self Electronic**

MODEL

ETD34/17/11 7+7

MATERIAL

PHENOLIC

TEL

021-66745473  
021-66716806

TOLERANCE

SCALE

DRAW BY

FAX

021-66742368

0 < L ≤ 4 ±0.1  
4 < L ≤ 16 ±0.2  
16 < L ≤ 63 ±0.3  
Pin pitch ±0.2

4/1

CHECK BY

WEBSITE

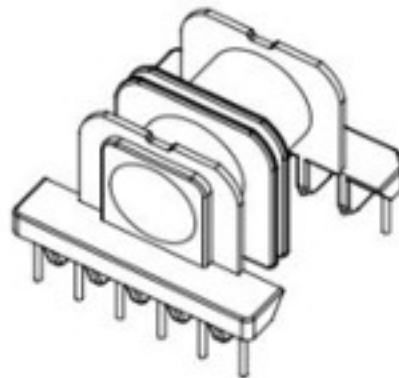
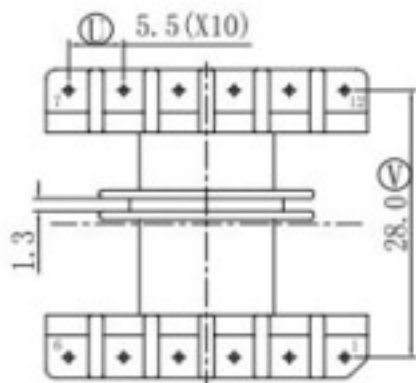
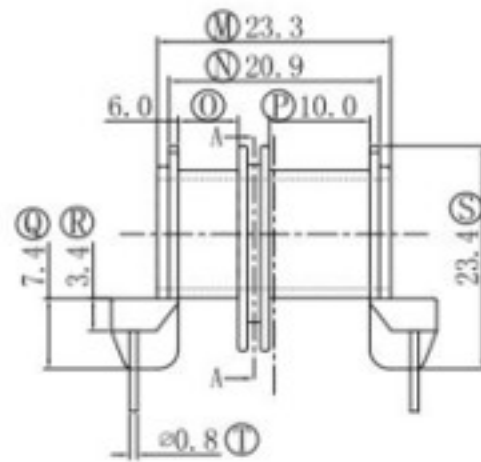
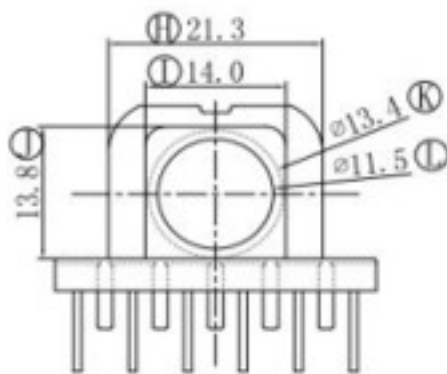
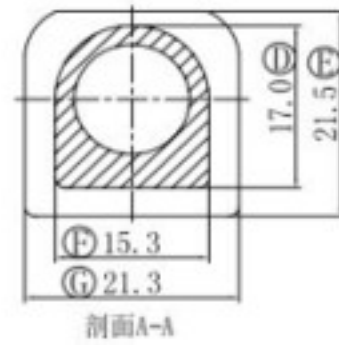
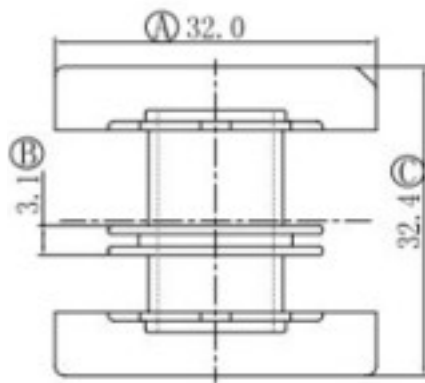
selfelectronic.com

UNIT MM

DATE 2015.11.16

(TYPE)

010140342122001



**Self  
Electronic**

MODEL

ETD34/17/11

6+6

MATERIAL

PHENOLIC

TEL

021-66745473  
021-66716806

TOLERANCE

SCALE

DRAW BY

FAX

021-66742368

0 &lt; L ≤ 4 ±0.1

4 &lt; L ≤ 16 ±0.2

16 &lt; L ≤ 63 ±0.3

Pin pitch ±0.2

4/1

CHECK BY

WEBSITE

selfelectronic.com

UNIT

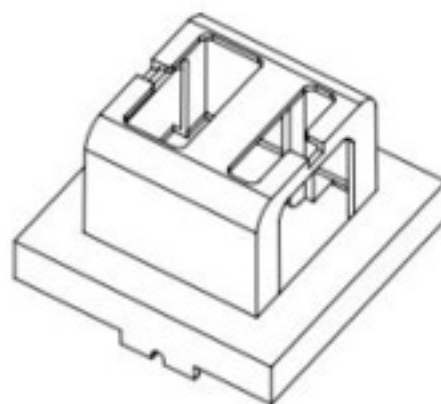
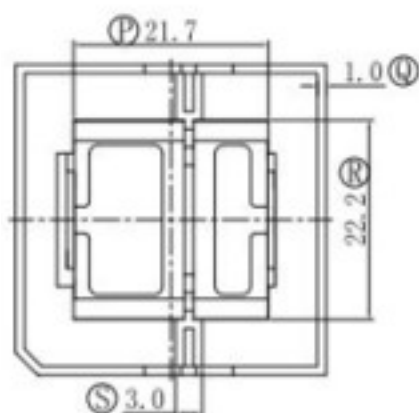
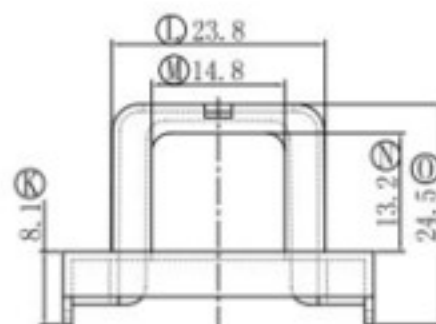
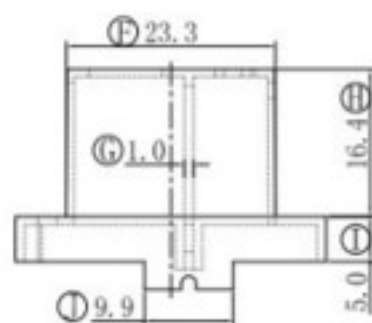
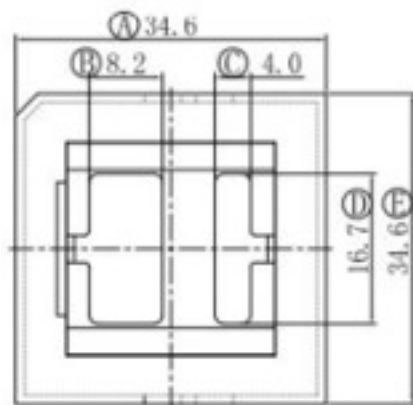
MM

DATE

2015.11.16

(TYPE)

010140342122001



**Self  
Electronic**

MODEL

ETD34/17/11

6+6

MATERIAL

PHENOLIC

TEL

021-66745473  
021-66716806

TOLERANCE

SCALE

DRAW BY

FAX

021-66742368

 $0 < L \leq 4 \quad \pm 0.1$   
 $4 < L \leq 16 \quad \pm 0.2$ 

4/1

CHECK BY

WEBSITE

selfelectronic.com

 $16 < L \leq 63 \quad \pm 0.3$   
 Pin pitch  $\pm 0.2$ 

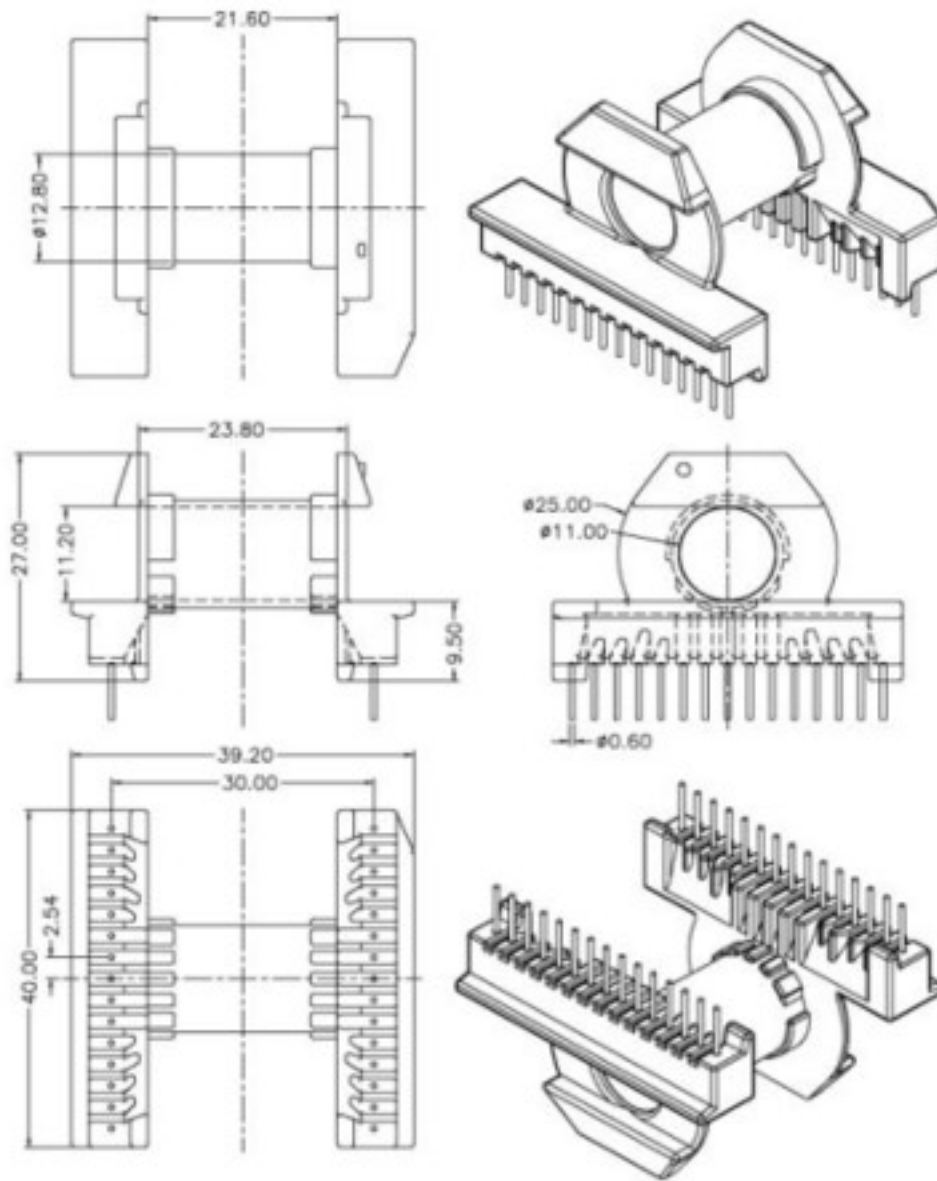
UNIT MM

DATE

2015.11.16

(TYPE)

010140342301101



**Self  
Electronic**

MODEL

ETD34/17/11

15+15

MATERIAL

PHENOLIC

TEL

021-66745473  
021-66716806

TOLERANCE

SCALE

DRAW BY

FAX

021-66742368

0 &lt; L ≤ 4 ±0.1

4 &lt; L ≤ 16 ±0.2

16 &lt; L ≤ 63 ±0.3

Pin pitch ±0.2

4/1

CHECK BY

WEBSITE

selfelectronic.com

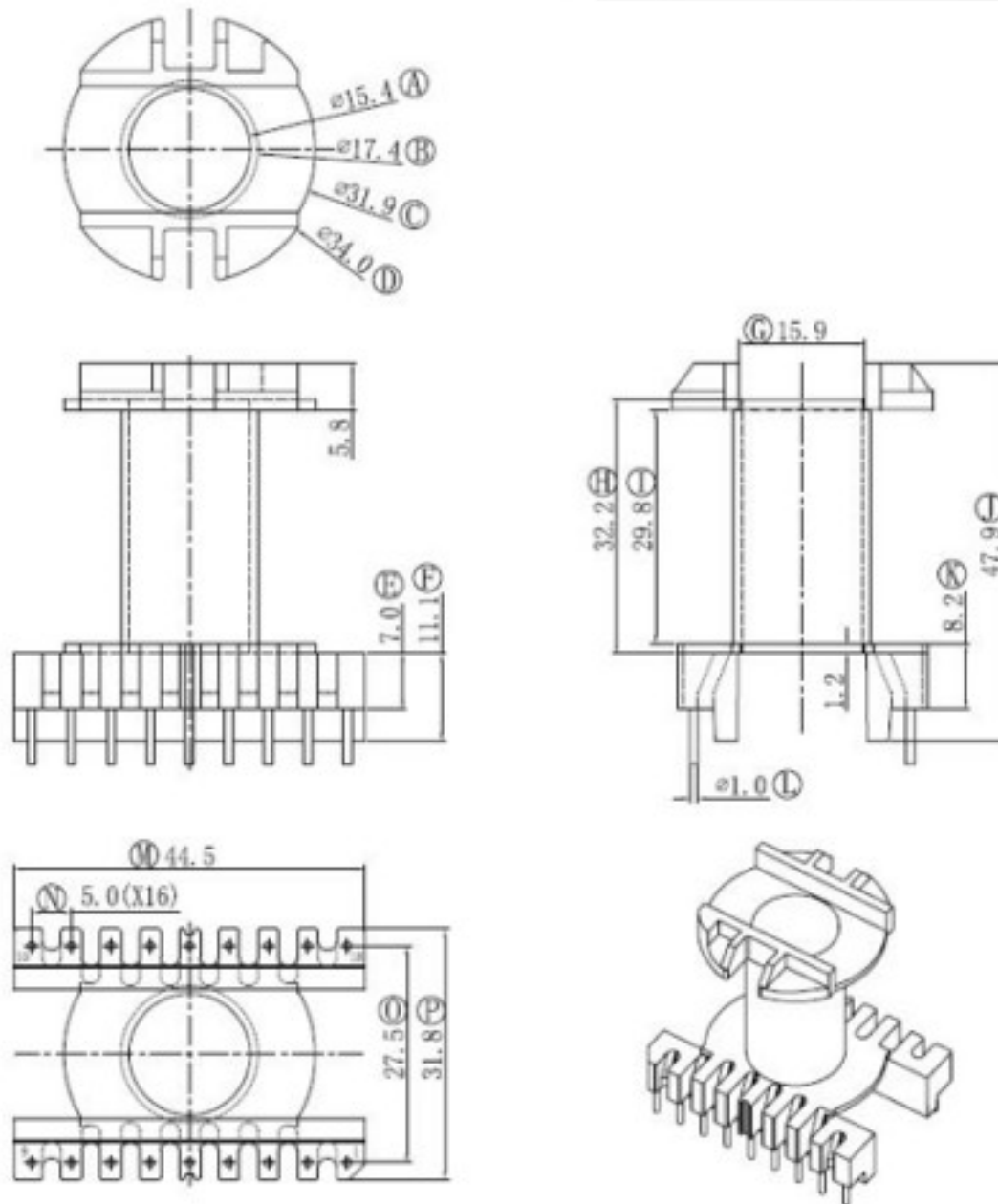
UNIT MM

DATE

2015.11.16

(TYPE)

010140441181001



**Self  
Electronic**

MODEL

ETD44/22/15

9+9

MATERIAL

PHENOLIC

TEL

021-66745473  
021-66716806

TOLERANCE

SCALE

DRAW BY

FAX

021-66742368

0 &lt; L ≤ 4 ±0.1

4 &lt; L ≤ 16 ±0.2

16 &lt; L ≤ 63 ±0.3

Pin pitch ±0.2

4/1

CHECK BY

WEBSITE

selfelectronic.com

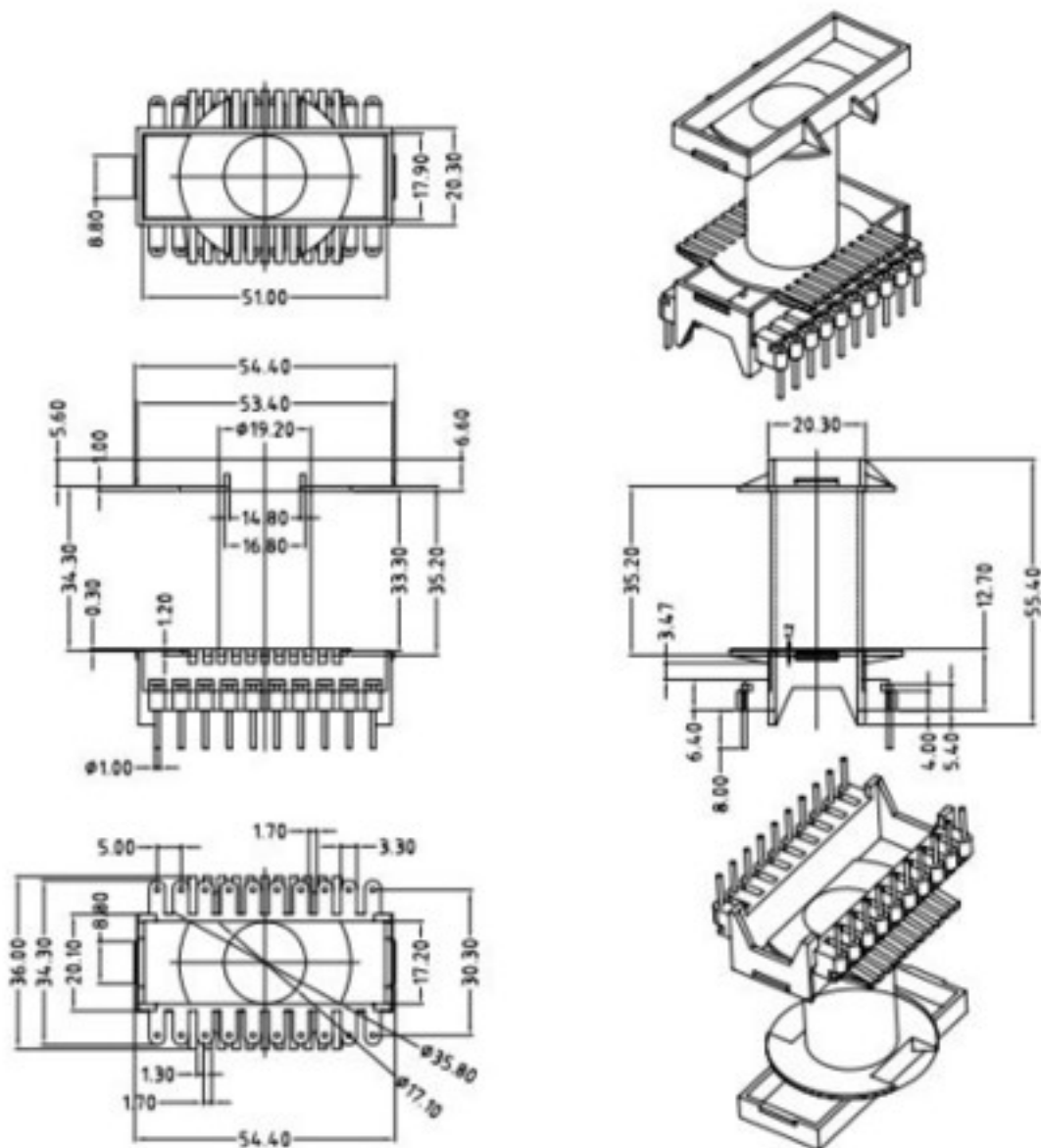
UNIT MM

DATE

2015.11.16

(TYPE)

010140491201001



**Self  
Electronic**

MODEL

ETD49/25/16

10+10

MATERIAL

PET

TEL

021-66745473  
021-66716806

TOLERANCE

SCALE

DRAW BY

FAX

021-66742368

 $0 < L \leq 4 \quad \pm 0.1$   
 $4 < L \leq 16 \quad \pm 0.2$ 

4/1

CHECK BY

WEBSITE

selfelectronic.com

 $16 < L \leq 63 \quad \pm 0.3$   
 Pin pitch  $\pm 0.2$ 

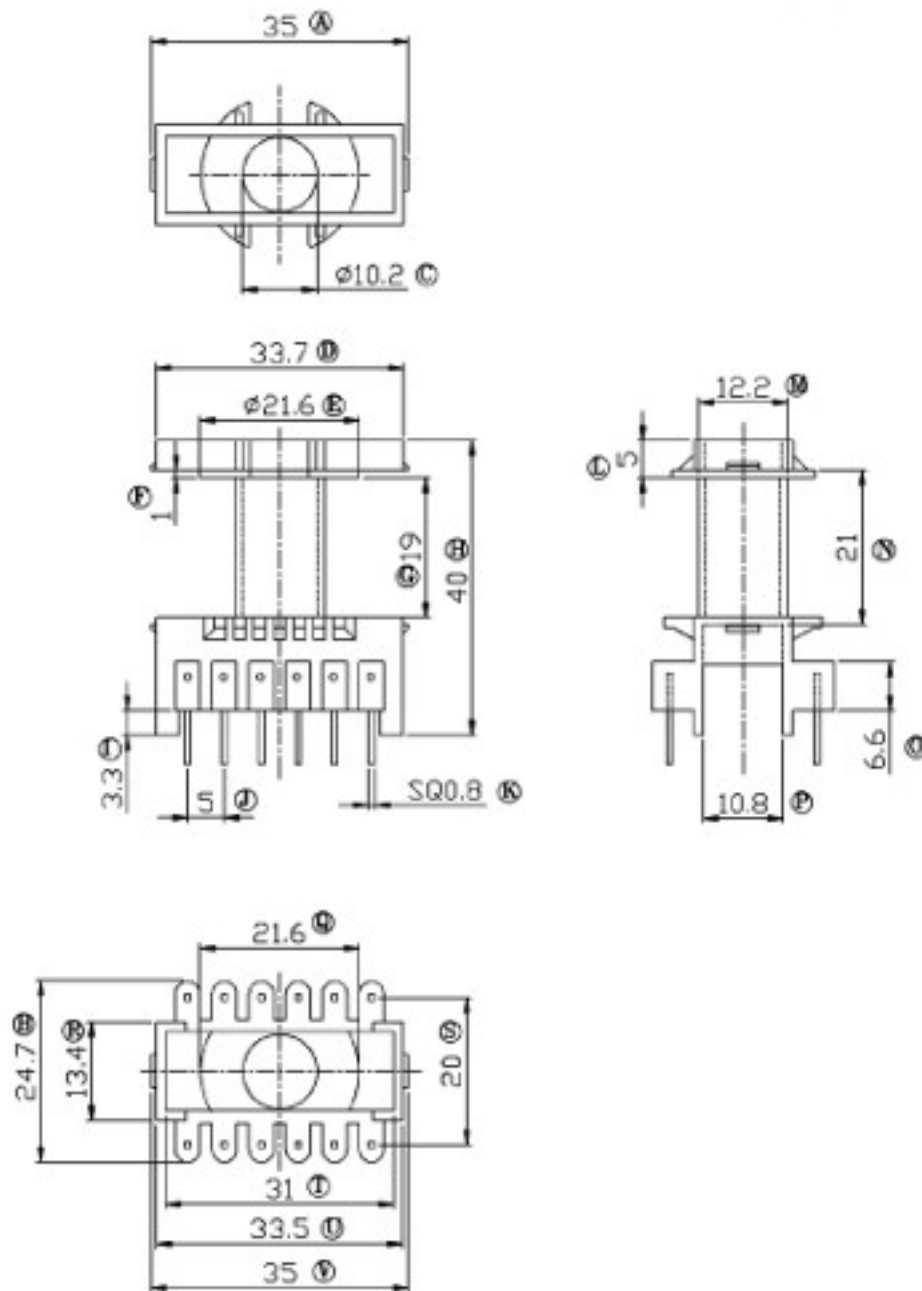
UNIT MM

DATE

2015.11.16

(TYPE)

031140291121001



### Self Electronic

MODEL ETD29/15/10 6+6

MATERIAL PET

TEL 021-66745473  
021-66716806

TOLERANCE

SCALE DRAW BY

FAX 021-66742368

0 &lt; L ≤ 4 ±0.1

4 &lt; L ≤ 16 ±0.2

16 &lt; L ≤ 63 ±0.3

Pin pitch ±0.2

4/1 CHECK BY

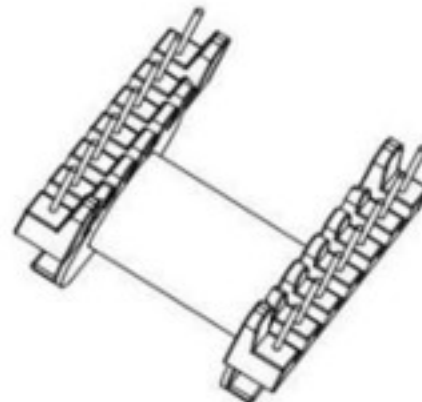
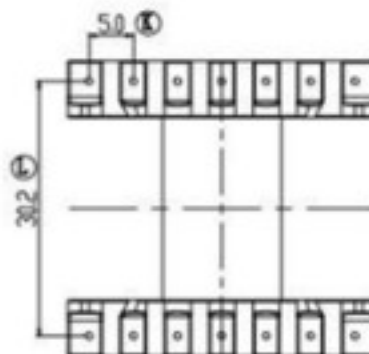
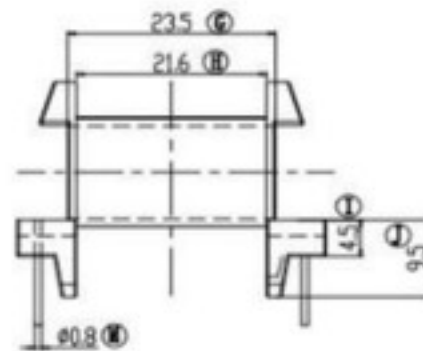
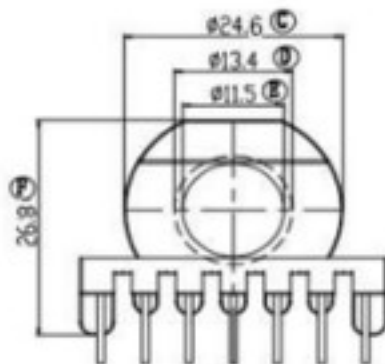
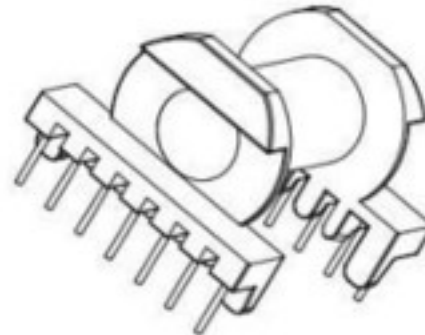
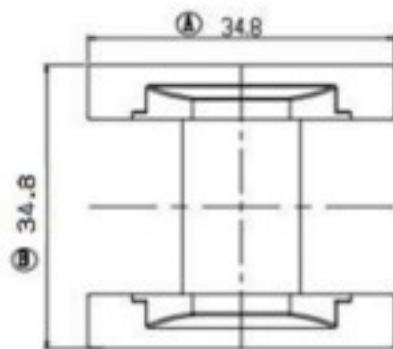
WEBSITE selfelectronic.com

UNIT MM DATE 2014.10.18



(TYPE)

031140342141001



**Self  
Electronic**

MODEL

ETD34/17/11 7+7

MATERIAL

PHENOLIC

TEL

021-66745473  
021-66716806

TOLERANCE

SCALE

DRAW BY

FAX

021-66742368

0 &lt; L ≤ 4 ±0.1

4 &lt; L ≤ 16 ±0.2

16 &lt; L ≤ 63 ±0.3

Pin pitch ±0.2

4/1

CHECK BY

WEBSITE

selfelectronic.com

UNIT

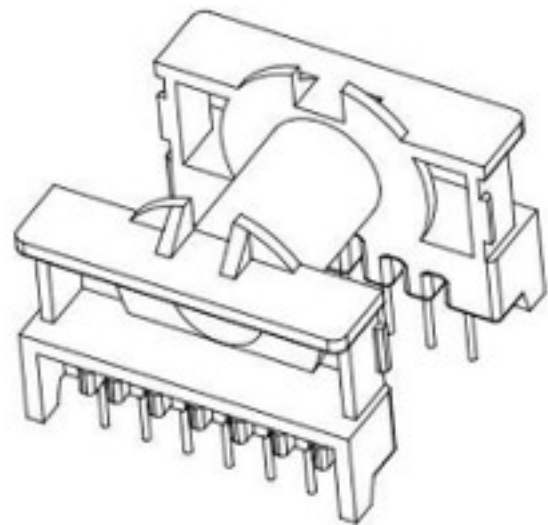
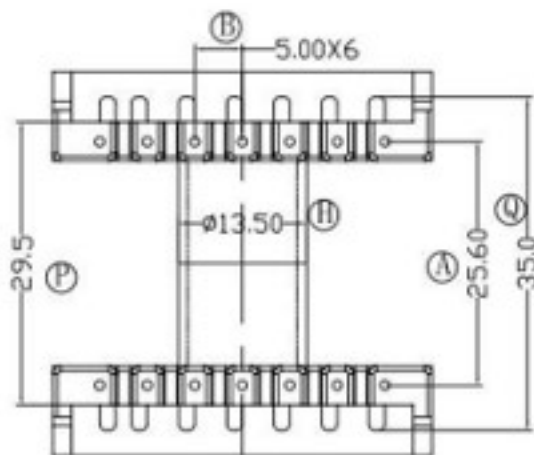
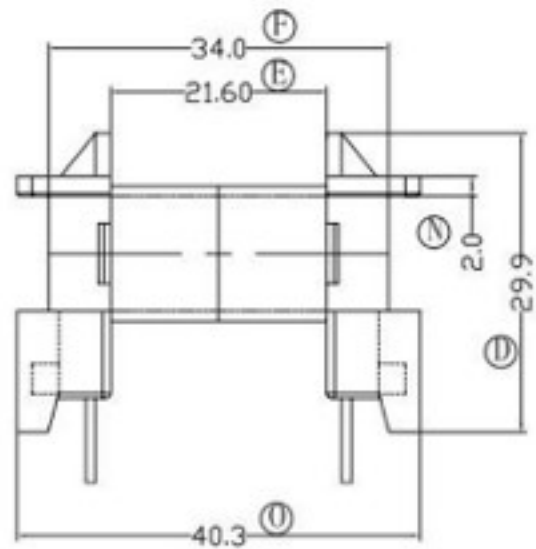
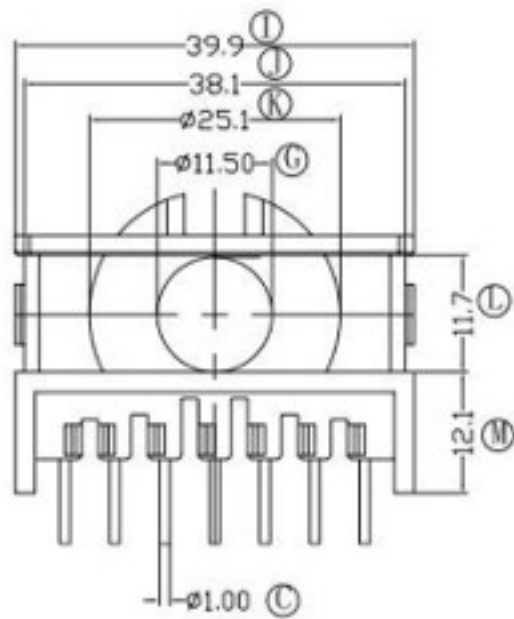
MM

DATE

2014.10.18

(TYPE)

005140342141101



**Self  
Electronic**

MODEL

ETD34/17/11 7+7

MATERIAL

PHENOLIC

TEL

021-66745473  
021-66716806

TOLERANCE

SCALE

DRAW BY

FAX

021-66742368

0 &lt; L ≤ 4 ±0.1

4 &lt; L ≤ 16 ±0.2

16 &lt; L ≤ 63 ±0.3

Pin pitch ±0.2

4/1

CHECK BY

WEBSITE

selfelectronic.com

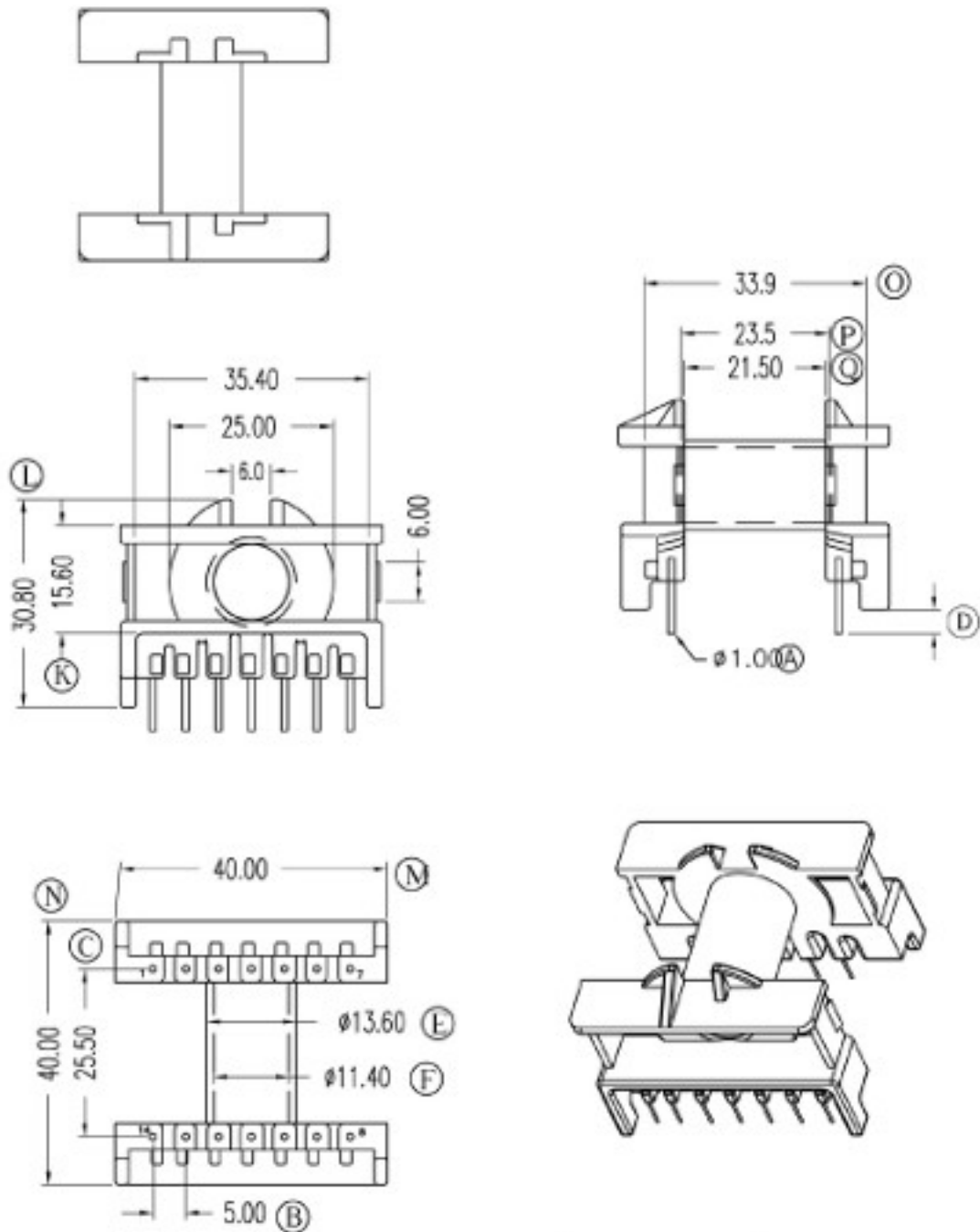
UNIT

MM

DATE

2014.10.18

(TYPE) 078140342141101



**Self  
Electronic**

MODEL

ETD34/17/11 7+7

MATERIAL

PHENOLIC

TEL

021-66745473  
021-66716806

TOLERANCE

SCALE

DRAW BY

FAX

021-66742368

0 < L ≤ 4 ±0.1  
4 < L ≤ 16 ±0.2  
16 < L ≤ 63 ±0.3  
Pin pitch ±0.2

4/1

CHECK BY

WEBSITE

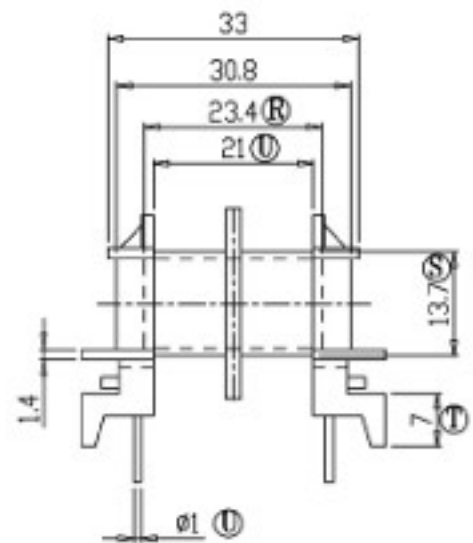
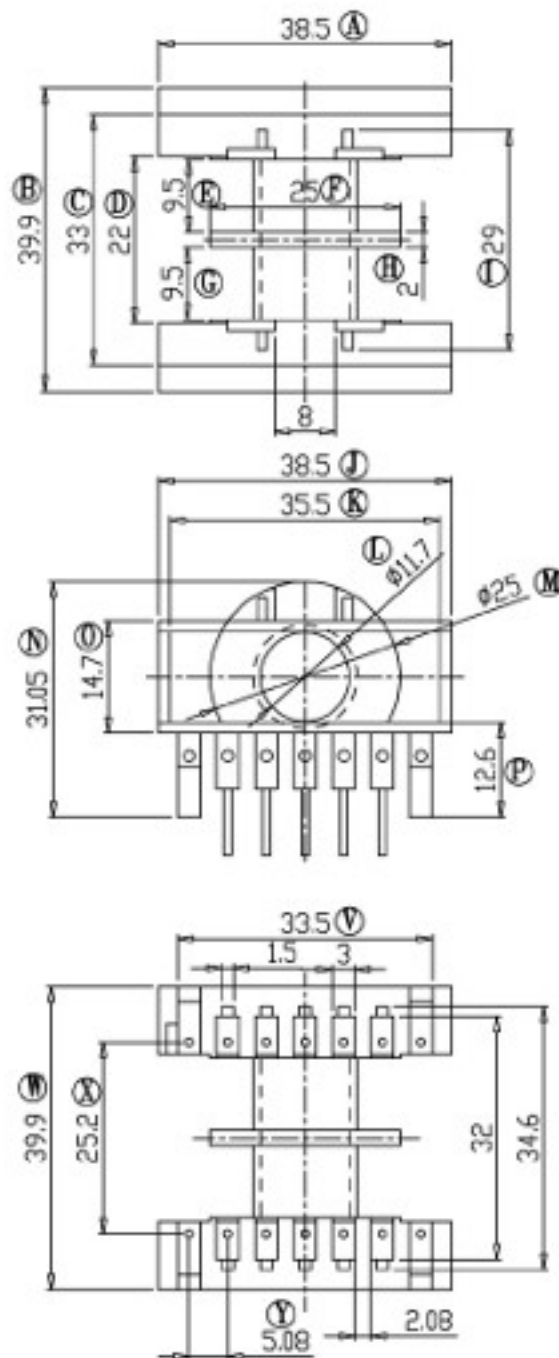
selfelectronic.com

UNIT MM

DATE 2014.10.18

(TYPE)

031140342142001



**Self  
Electronic**

MODEL

ETD34/17/11  
7+7

MATERIAL

PHENOLIC

TEL

021-66745473  
021-66716806

TOLERANCE

SCALE

DRAW BY

FAX

021-66742368

$0 < L \leq 4$      $\pm 0.1$   
 $4 < L \leq 16$     $\pm 0.2$   
 $16 < L \leq 63$     $\pm 0.3$   
 Pin pitch     $\pm 0.2$

4/1

CHECK BY

WEBSITE

selfelectronic.com

UNIT

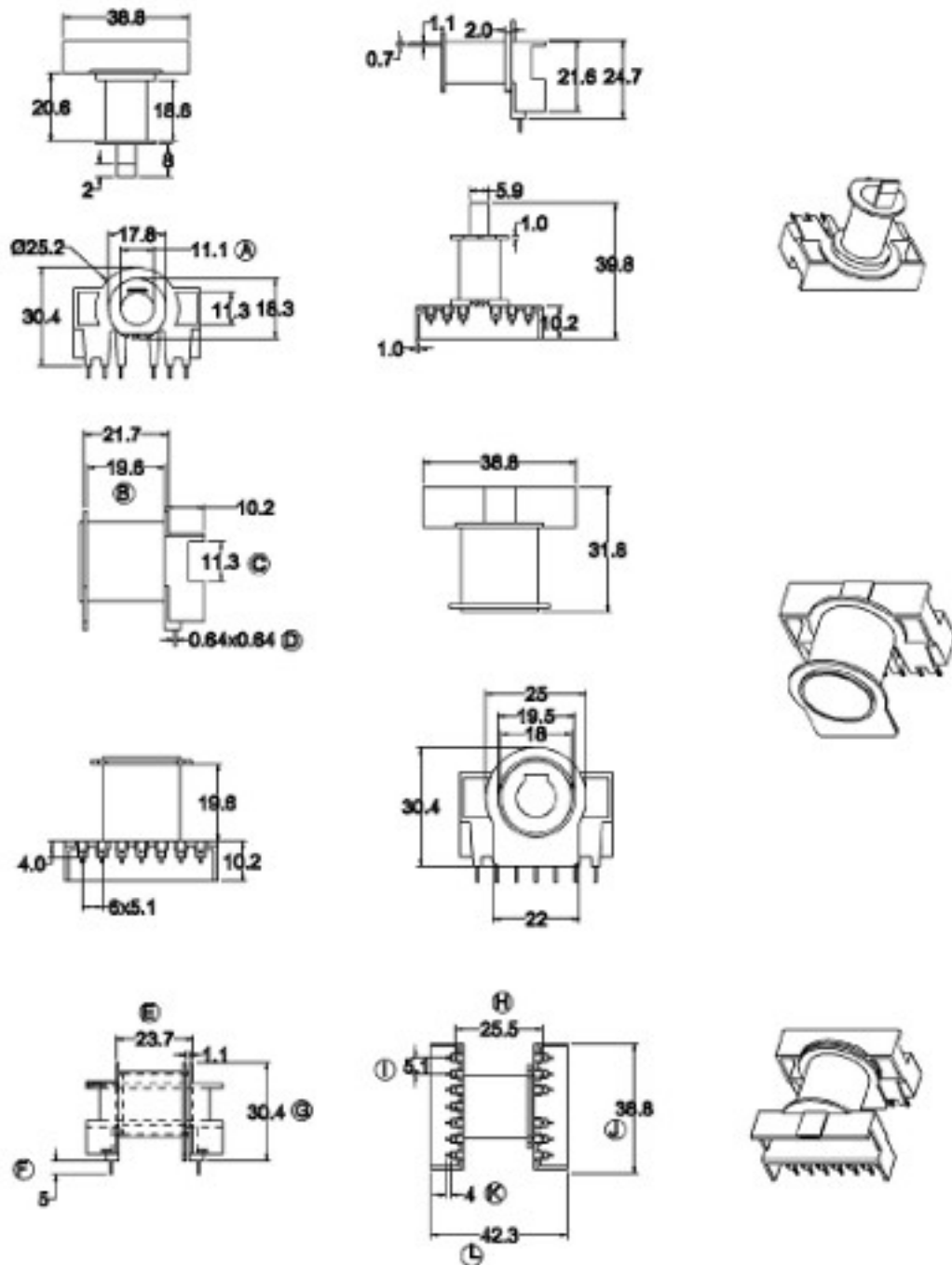
MM

DATE

2014.10.18

(TYPE)

031140342131101



### Self Electronic

MODEL

ETD34 7+6

MATERIAL

nylon (Red)

TEL

021-66745473  
021-66716806

TOLERANCE

SCALE

DRAW BY

FAX

021-66742368

0 &lt; L ≤ 4 ±0.1

4 &lt; L ≤ 16 ±0.2

16 &lt; L ≤ 63 ±0.3

Pin pitch ±0.2

4/1

CHECK BY

WEBSITE

selfelectronic.com

UNIT

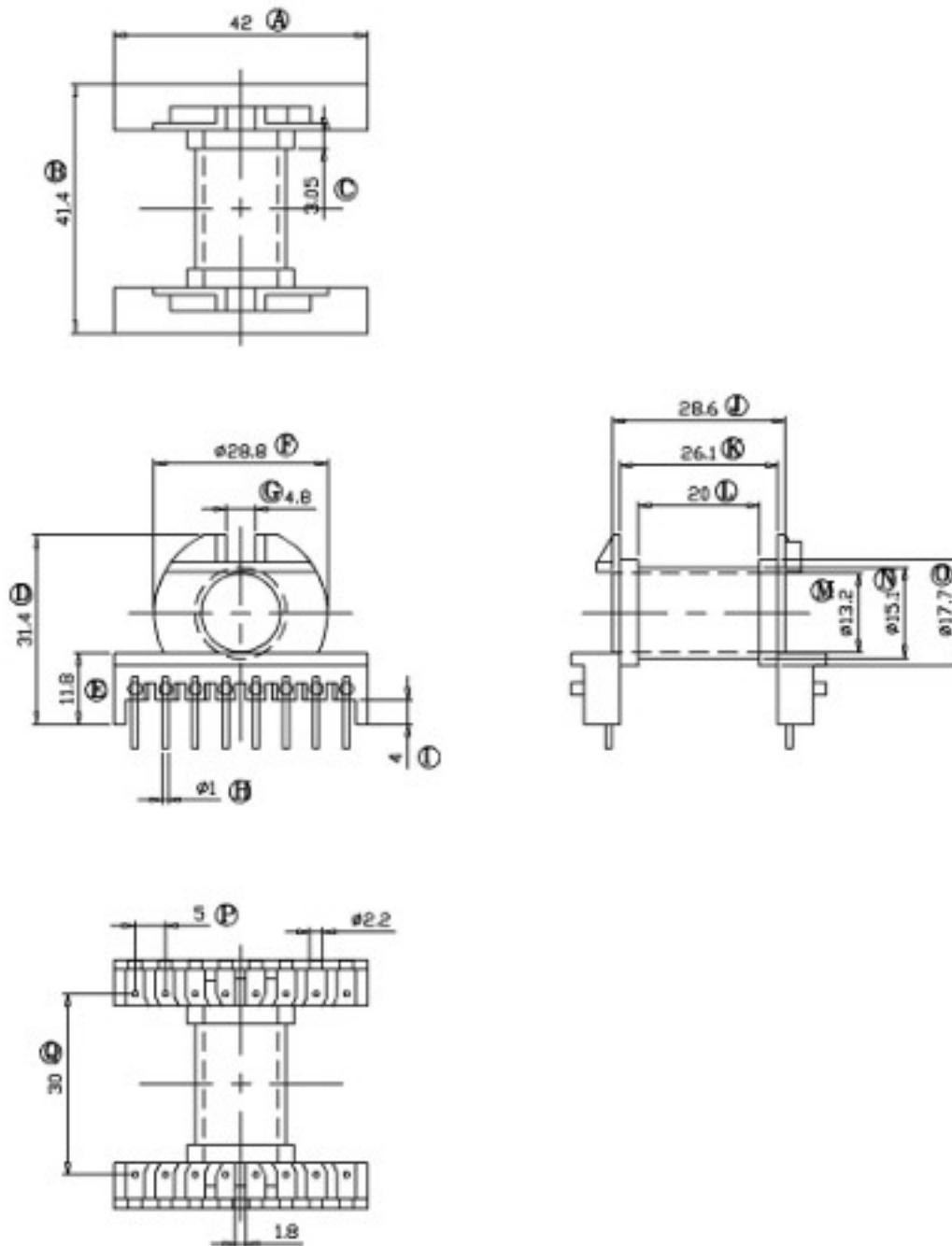
MM

DATE

2014.10.18

(TYPE)

031140392161001



### Self Electronic

MODEL ETD39/20/13 8+8

MATERIA PHENOLIC

TEL 021-66745473  
021-66716806

TOLERANCE

SCALE DRAW BY

FAX 021-66742368

0 &lt; L ≤ 4 ±0.1

4 &lt; L ≤ 16 ±0.2

4/1 CHECK BY

WEBSITE selfelectronic.com

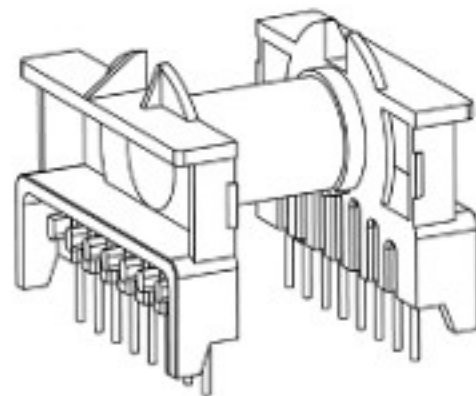
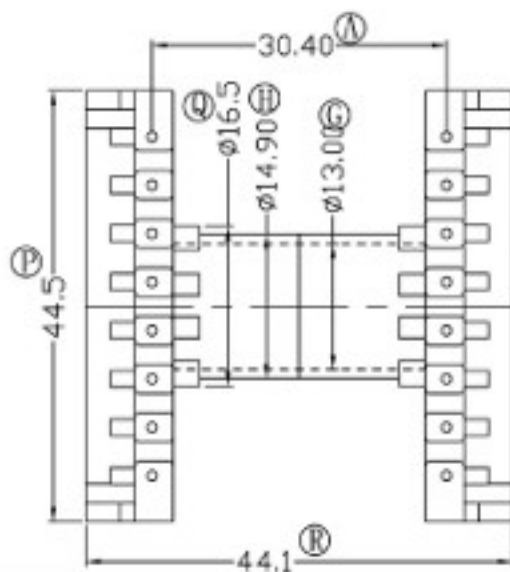
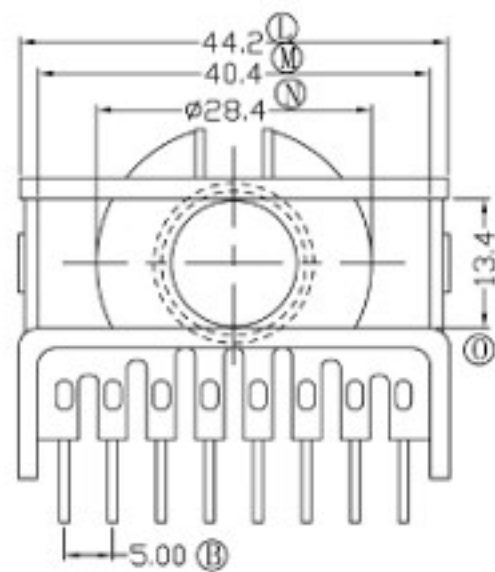
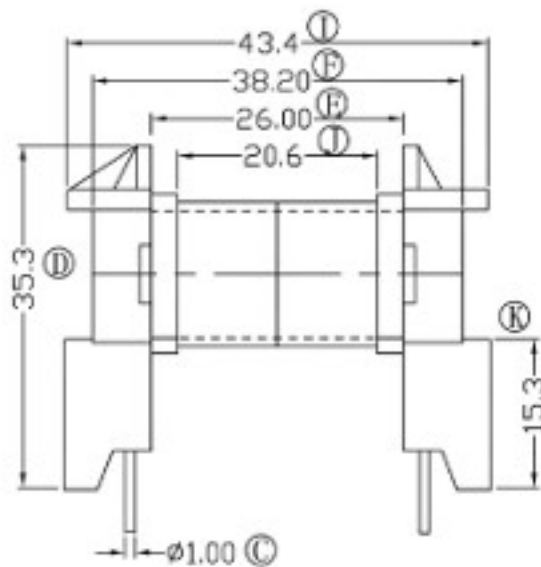
16 &lt; L ≤ 63 ±0.3

Pin pitch ±0.2

UNIT MM DATE 2014.10.18

(TYPE)

005140392161101



**Self  
Electronic**

MODEL

ETD39/20/13

8+8

MATERIAL

PHENOLIC

TEL

021-66745473  
021-66716806

TOLERANCE

SCALE

DRAW BY

FAX

021-66742368

 $0 < L \leq 4 \quad \pm 0.1$   
 $4 < L \leq 16 \quad \pm 0.2$ 

4/1

CHECK BY

WEBSITE

selfelectronic.com

 $16 < L \leq 63 \quad \pm 0.3$   
 Pin pitch  $\pm 0.2$ 

UNIT

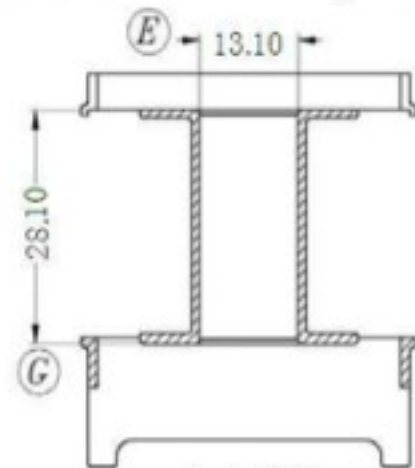
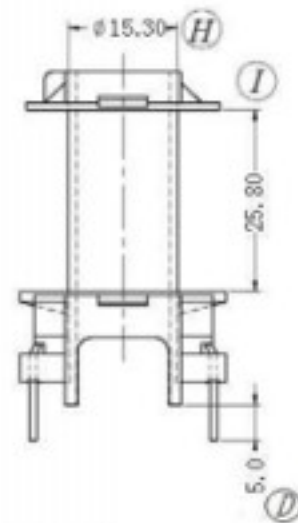
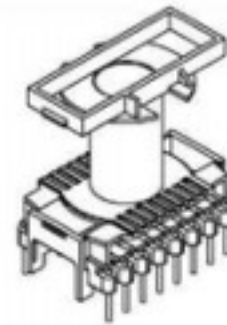
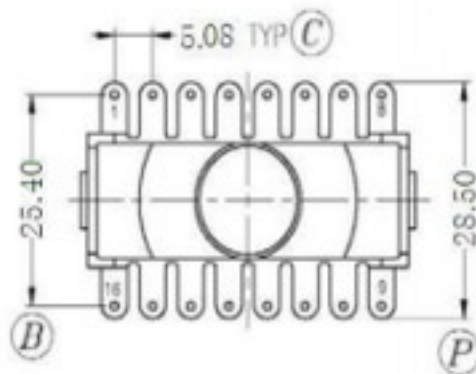
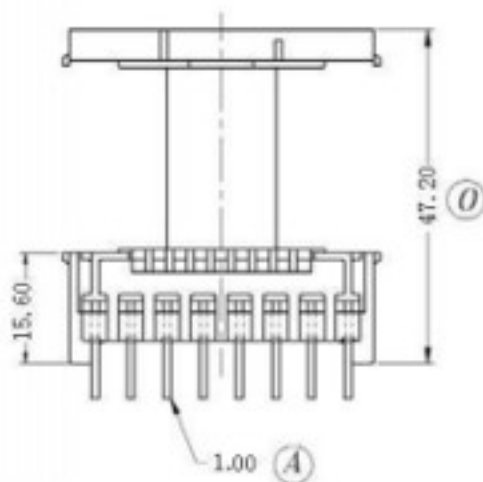
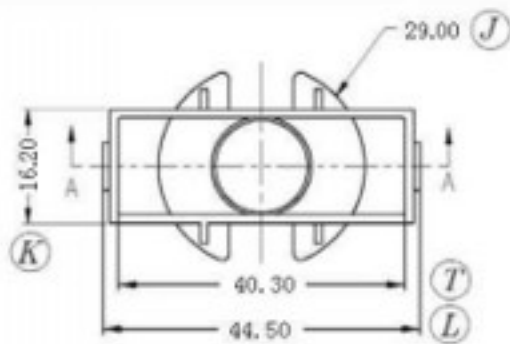
MM

DATE

2014.10.18

(TYPE)

010140391161001



A-A VIEW

### Self Electronic

MODEL

ETD39 : 8+8

MATERIAL

PET

TEL

021-66745473  
021-66716806

TOLERANCE

SCALE

DRAW BY

FAX

021-66742368

0 < L ≤ 4 ±0.1  
4 < L ≤ 16 ±0.2

4/1

CHECK BY

WEBSITE

selfelectronic.com

16 < L ≤ 63 ±0.3  
Pin pitch ±0.2

UNIT

MM

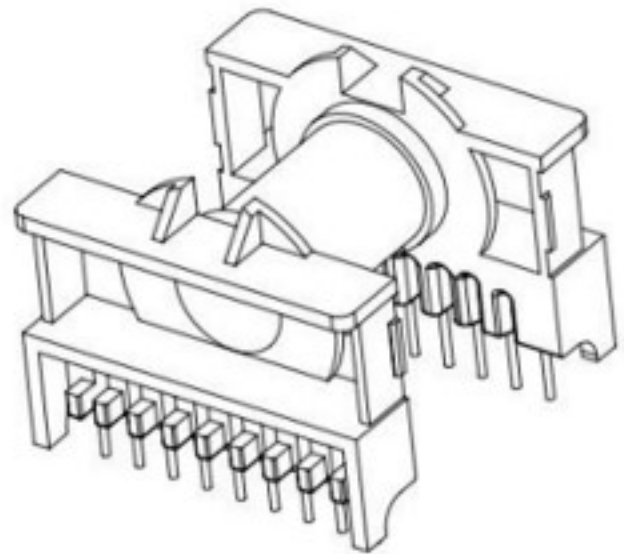
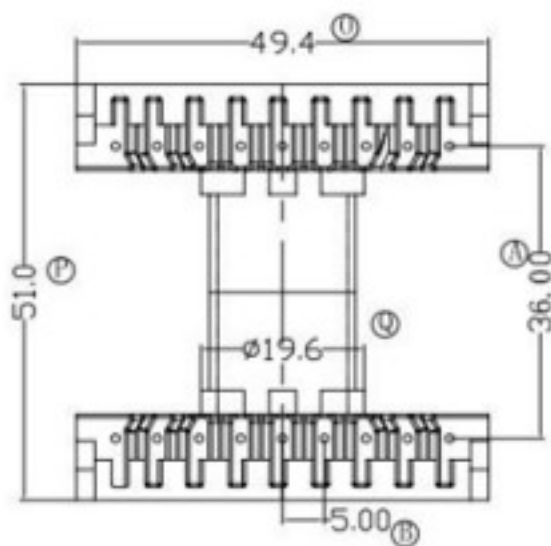
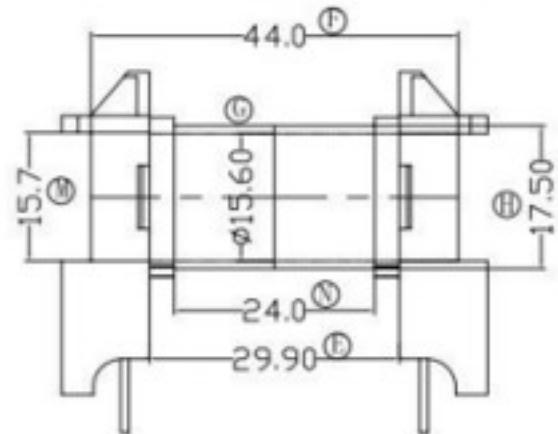
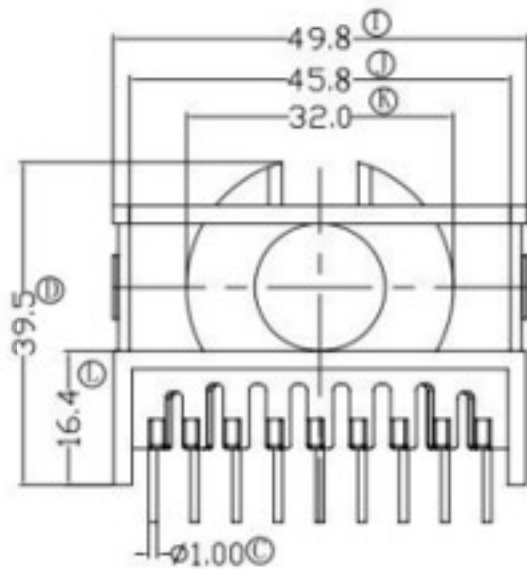
DATE

2014.10.18



(TYPE)

010140442181001



**Self  
Electronic**

MODEL

ETD44/22/15

9+9

MATERIAL

PHENOLIC

TEL

021-66745473  
021-66716806

TOLERANCE

SCALE

DRAW BY

FAX

021-66742368

 $0 < L \leq 4$   $\pm 0.1$  $4 < L \leq 16$   $\pm 0.2$  $16 < L \leq 63$   $\pm 0.3$ Pin pitch  $\pm 0.2$ 

4/1

CHECK BY

WEBSITE

selfelectronic.com

UNIT

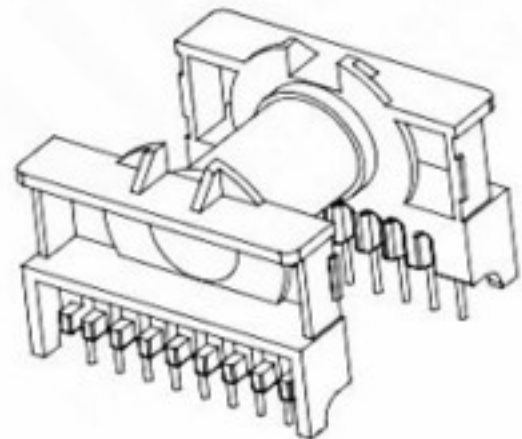
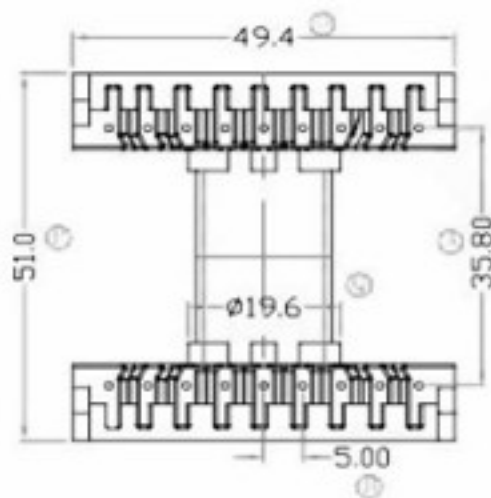
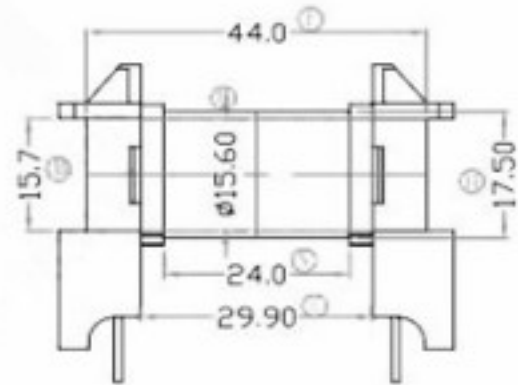
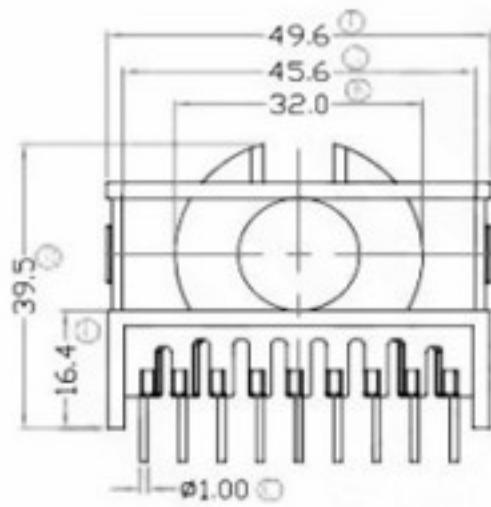
MM

DATE

2014.10.18

(TYPE)

005140442181101



**Self  
Electronic**

MODEL

ETD44/22/15

MATERIAL

PHENOLIC

TEL

021-66745473  
021-66716806

TOLERANCE

SCALE

DRAW BY

FAX

021-66742368

0 &lt;math&gt;L \leq 4&lt;/math&gt; ±0.1

4 &lt;math&gt;L \leq 16&lt;/math&gt; ±0.2

16 &lt;math&gt;L \leq 63&lt;/math&gt; ±0.3

Pin pitch ±0.2

4/1

CHECK BY

WEBSITE

selfelectronic.com

UNIT

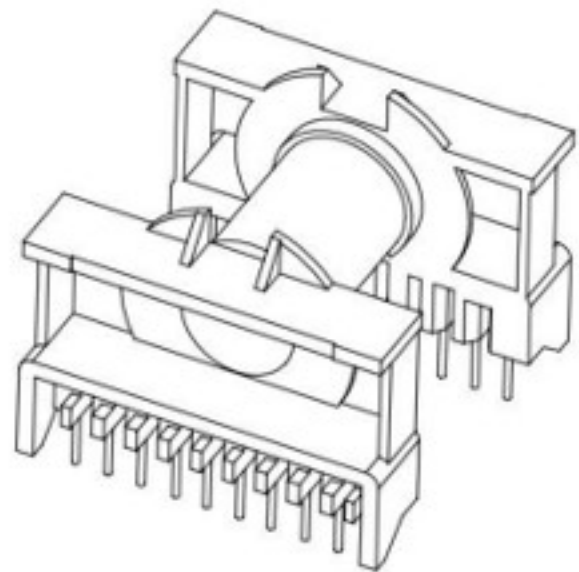
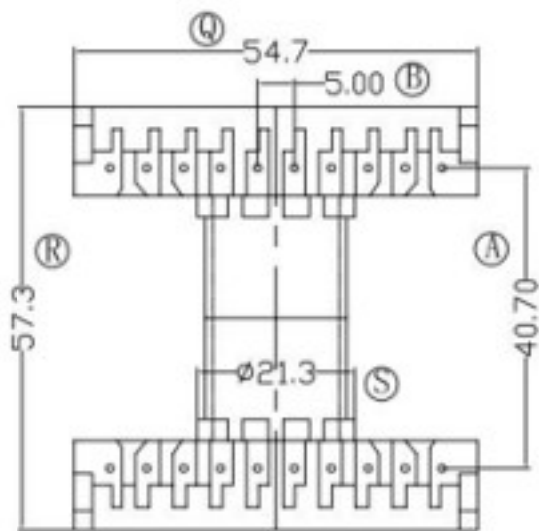
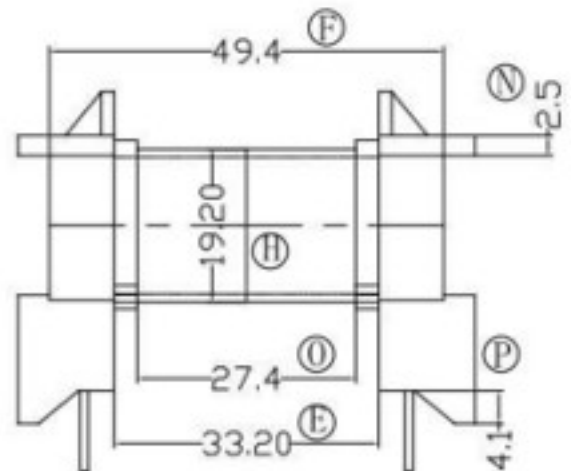
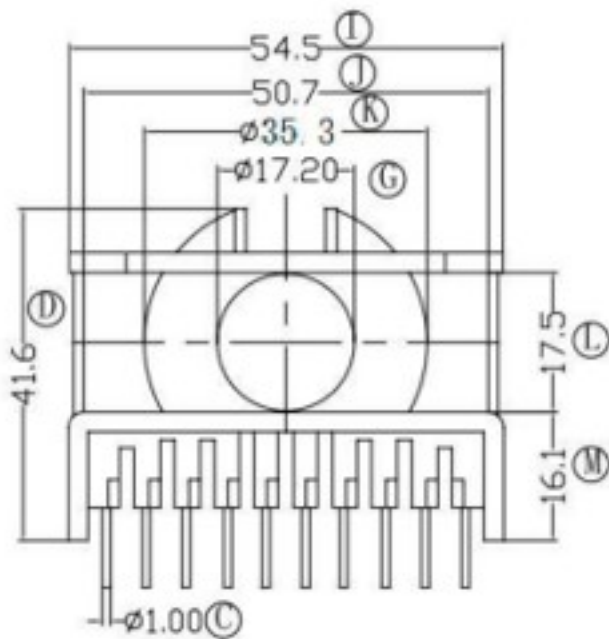
MM

DATE

2015.11.16

(TYPE)

005140492201101



**Self  
Electronic**

MODEL

ETD49/25/16

10+10

MATERIAL

PHENOLIC

TEL

021-66745473  
021-66716806

TOLERANCE

SCALE

DRAW BY

FAX

021-66742368

0 &lt; L ≤ 4 ±0.1

4 &lt; L ≤ 16 ±0.2

16 &lt; L ≤ 63 ±0.3

Pin pitch ±0.2

4/1

CHECK BY

WEBSITE

selfelectronic.com

UNIT

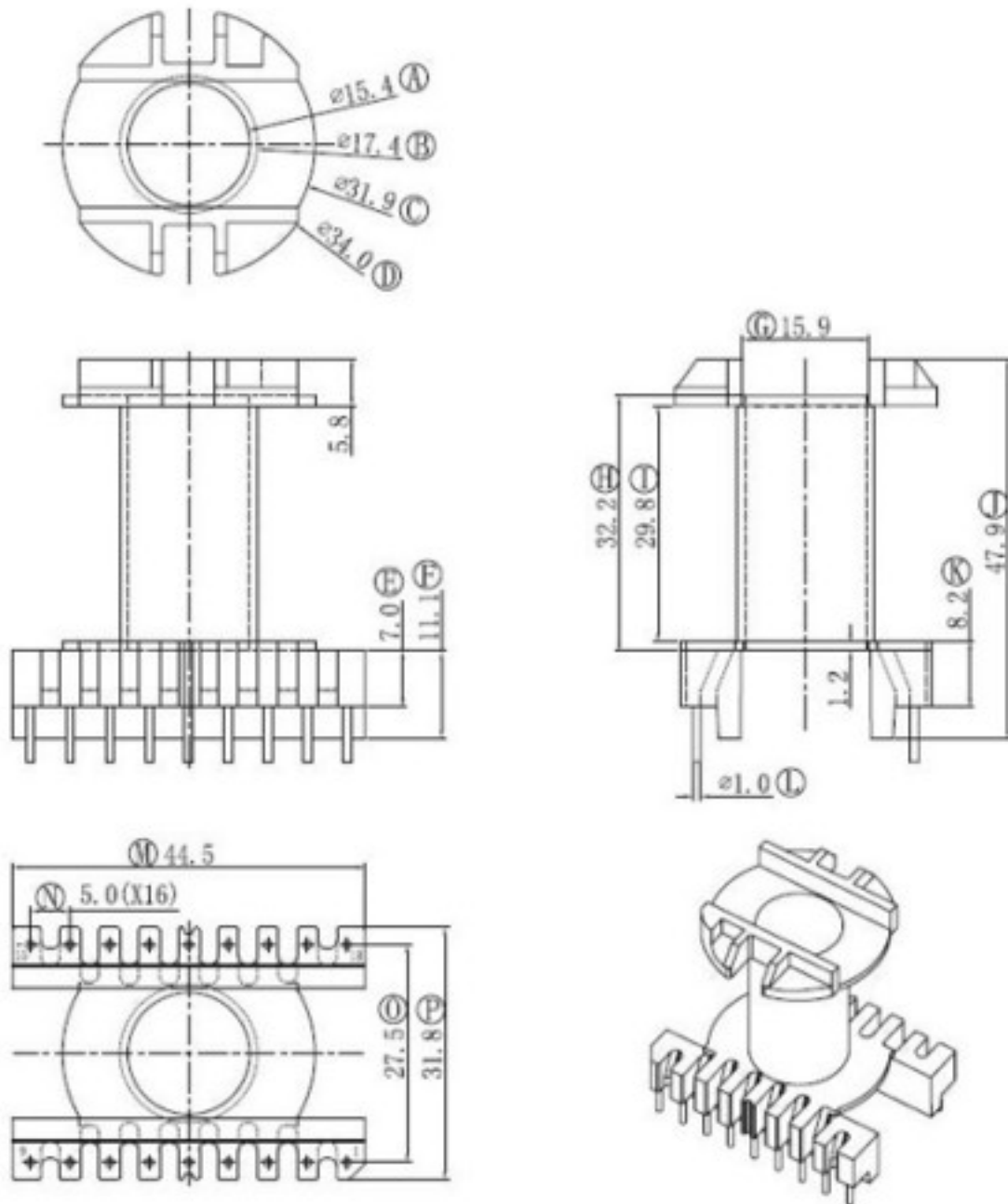
MM

DATE

2014.10.18

(TYPE)

010140441181001



**Self  
Electronic**

MODEL

ETD44/22/15 9+9

MATERIAL

PHENOLIC

TEL

021-66745473  
021-66716806

TOLERANCE

SCALE

DRAW BY

FAX

021-66742368

0 &lt; L ≤ 4 ±0.1

4 &lt; L ≤ 16 ±0.2

16 &lt; L ≤ 63 ±0.3

Pin pitch ±0.2

4/1

CHECK BY

WEBSITE

selfelectronic.com

UNIT

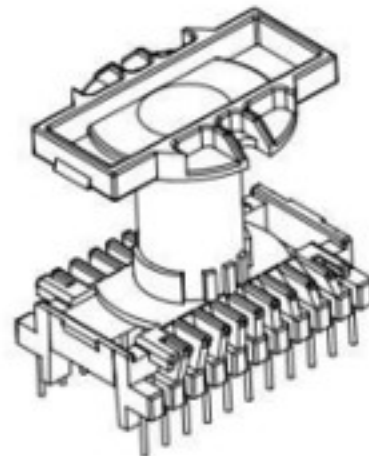
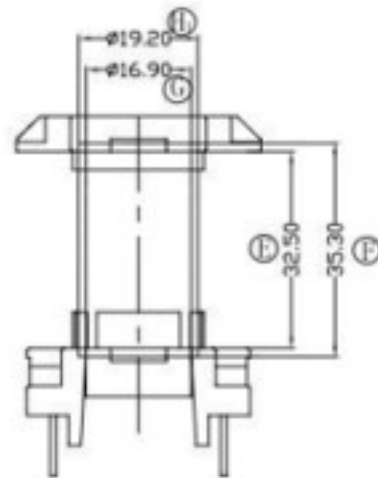
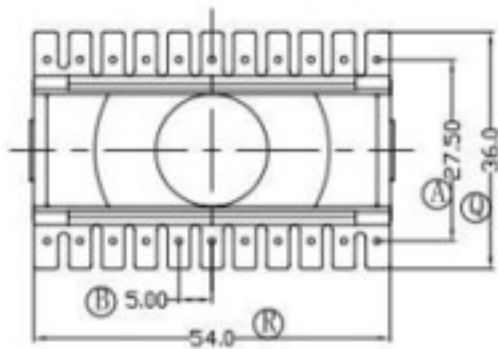
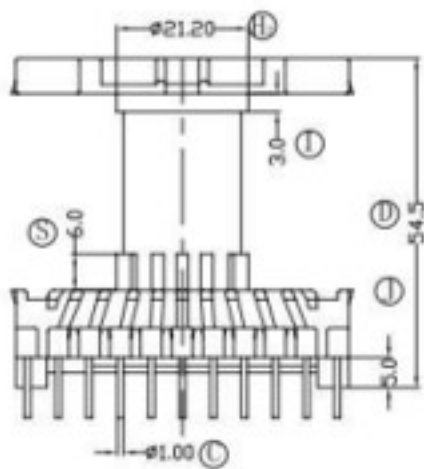
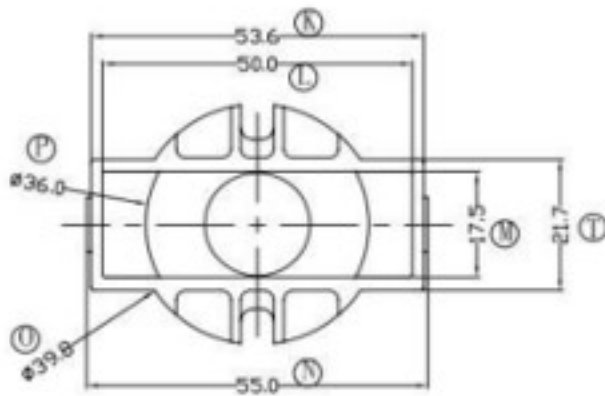
MM

DATE

2014.10.10

(TYPE)

010140491221001



### Self Electronic

MODEL

ETD49

11+11

MATERIAL

PHENOLIC

TEL

021-66745473  
021-66716806

TOLERANCE

SCALE

DRAW BY

FAX

021-66742368

0 &lt; L ≤ 4 ±0.1

4 &lt; L ≤ 16 ±0.2

16 &lt; L ≤ 63 ±0.3

Pin pitch ±0.2

4/1

CHECK BY

WEBSITE

selfelectronic.com

UNIT

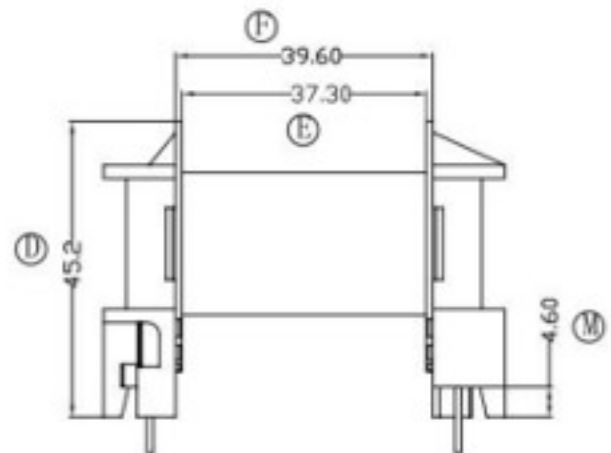
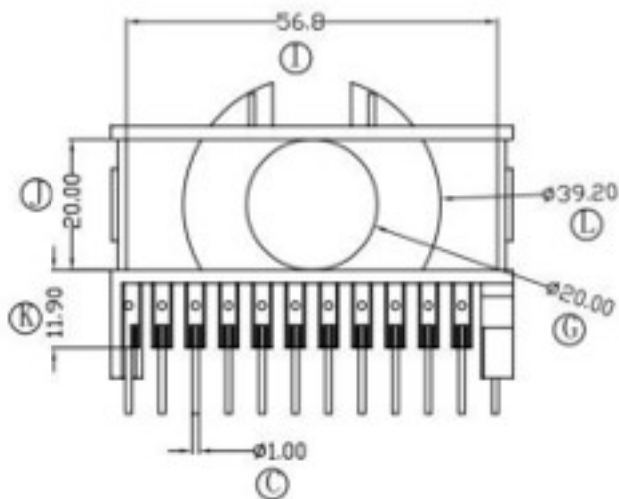
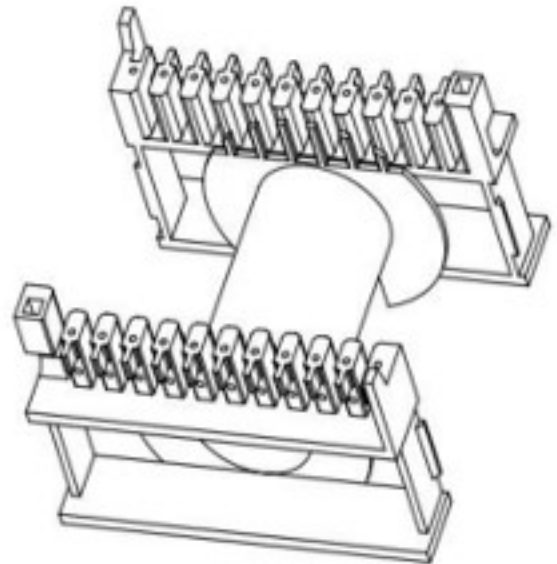
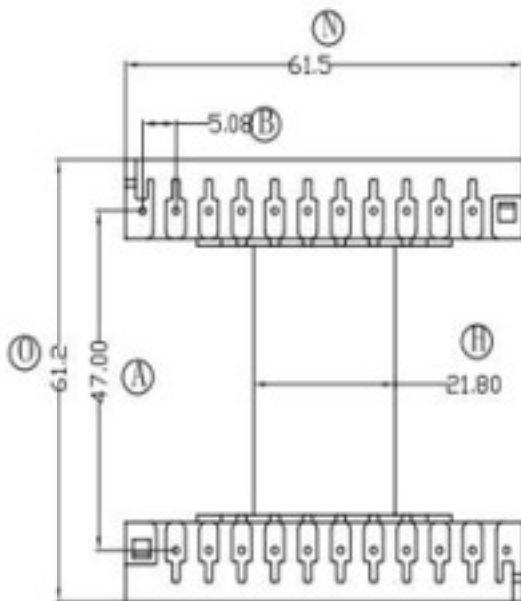
MM

DATE

2014.10.18

(TYPE)

005140542221101



### Self Electronic

MODEL

ETD54

11+11

MATERIAL

PET

TEL

021-66745473  
021-66716806

TOLERANCE

SCALE

DRAW BY

FAX

021-66742368

0 &lt; L ≤ 4 ±0.1

4 &lt; L ≤ 16 ±0.2

16 &lt; L ≤ 63 ±0.3

Pin pitch ±0.2

4/1

CHECK BY

WEBSITE

selfelectronic.com

UNIT

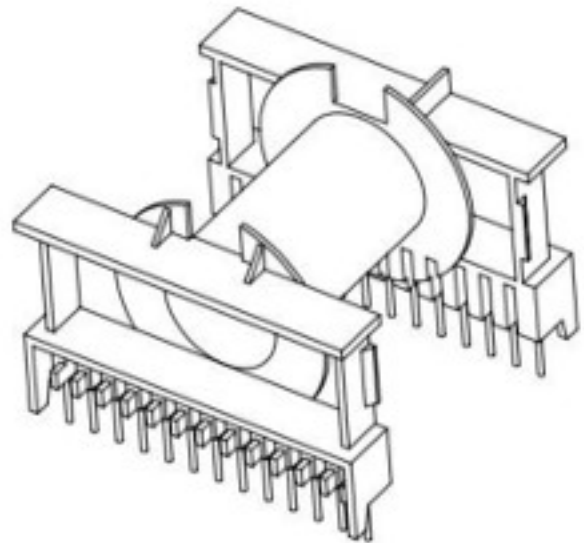
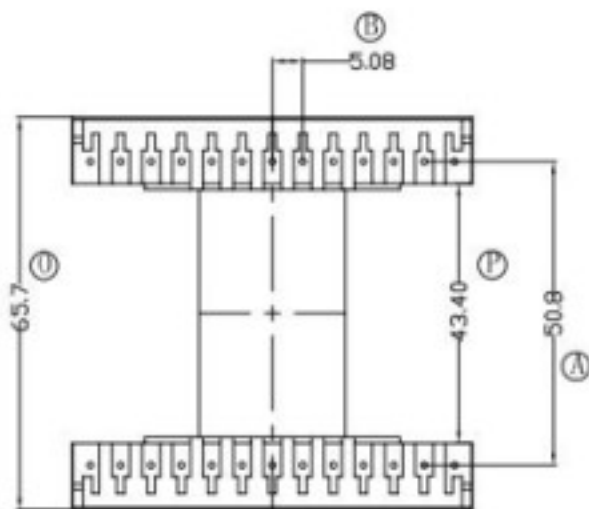
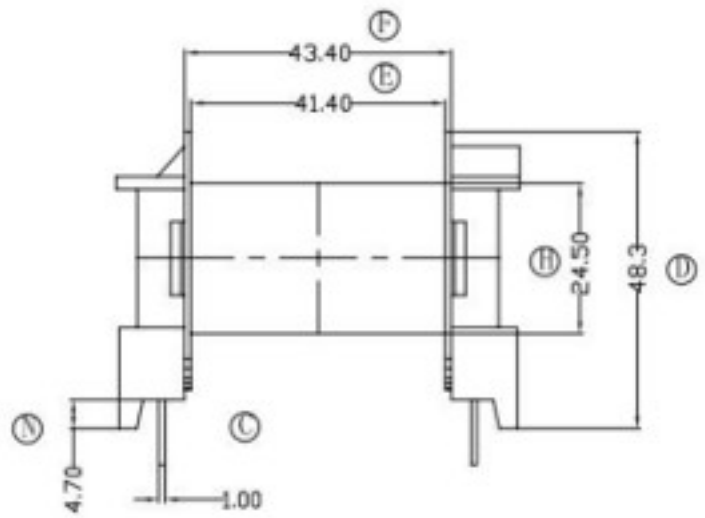
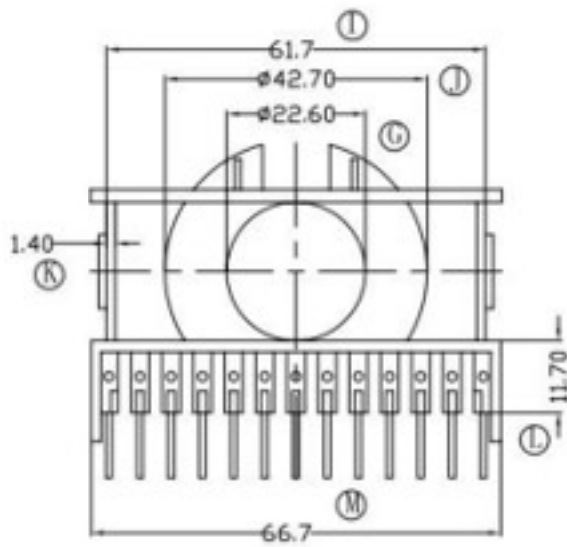
MM

DATE

2014.10.18

(TYPE)

005140592261101



### Self Electronic

MODEL

ETD59

13+13

MATERIAL

PET(BLACK)

TEL

021-66745473  
021-66716806

TOLERANCE

SCALE

DRAW BY

FAX

021-66742368

0 &lt; L ≤ 4 ±0.1

4 &lt; L ≤ 16 ±0.2

16 &lt; L ≤ 63 ±0.3

Pin pitch ±0.2

4/1

CHECK BY

WEBSITE

selfelectronic.com

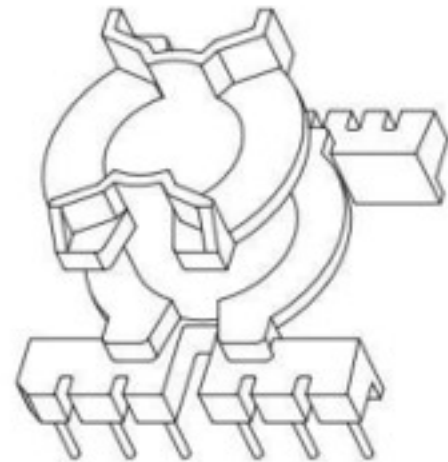
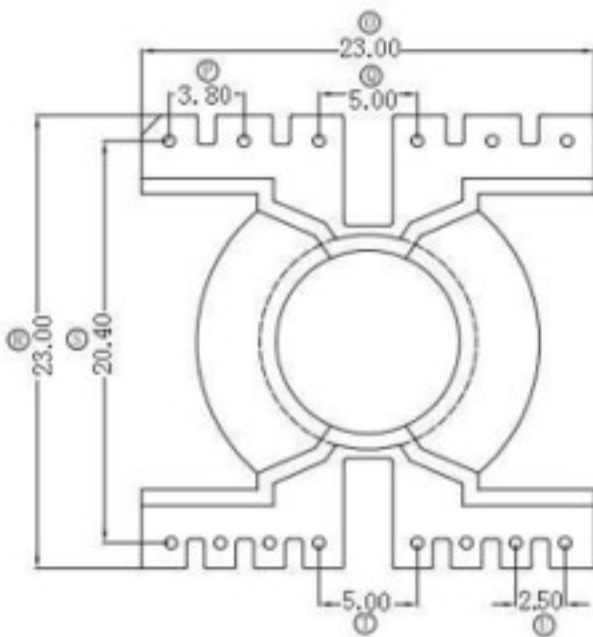
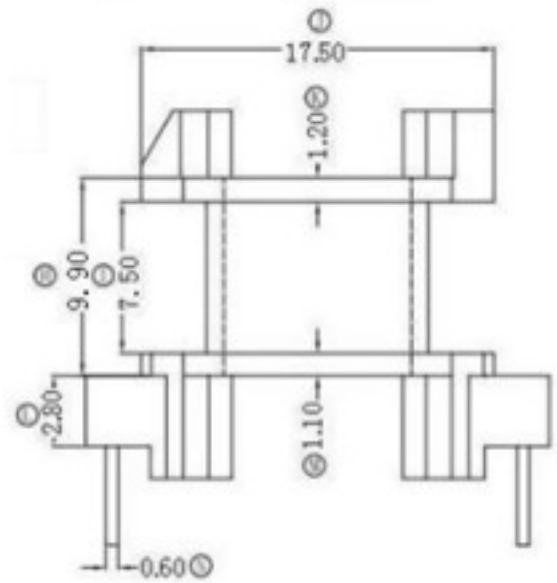
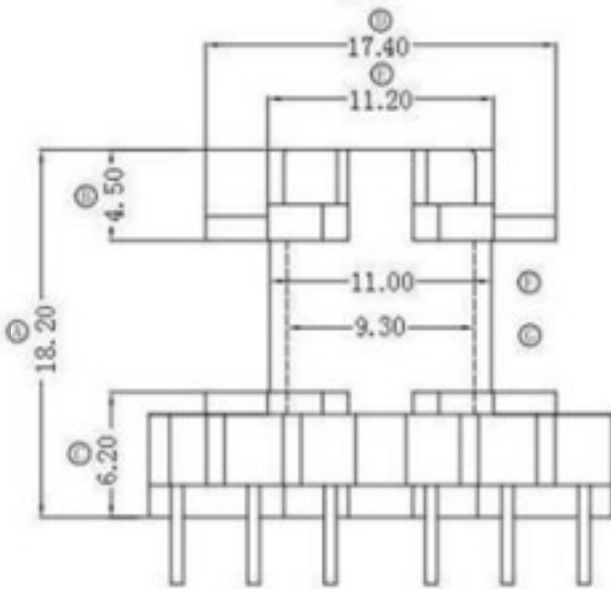
UNIT

MM

DATE

2014.10.18

(TYPE) 029160201141001



**Self  
Electronic**

MODEL PQ20/16 6+8

MATERIAL PHENOLIC

TEL 021-66745473  
021-66716806

TOLERANCE

SCALE

DRAW BY

FAX 021-66742368

0 < L ≤ 4 ±0.1

4 < L ≤ 16 ±0.2

4/1

CHECK BY

WEBSITE selfelectronic.com

16 < L ≤ 63 ±0.3

Pin pitch ±0.2

UNIT

MM

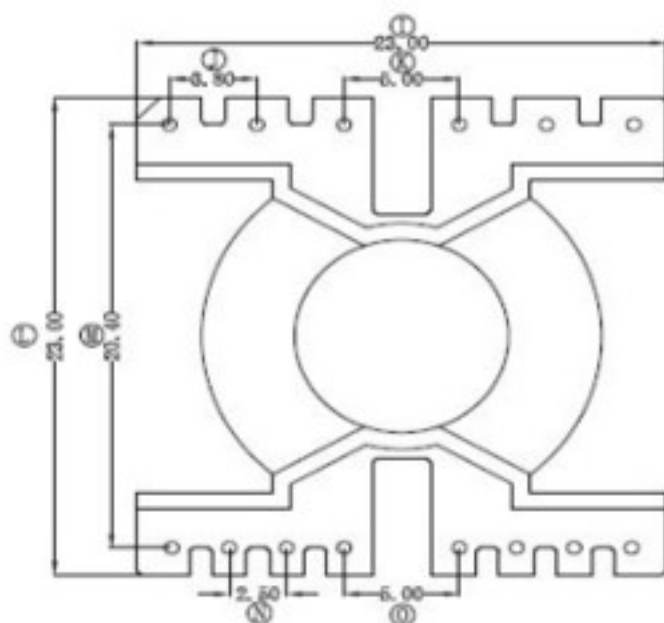
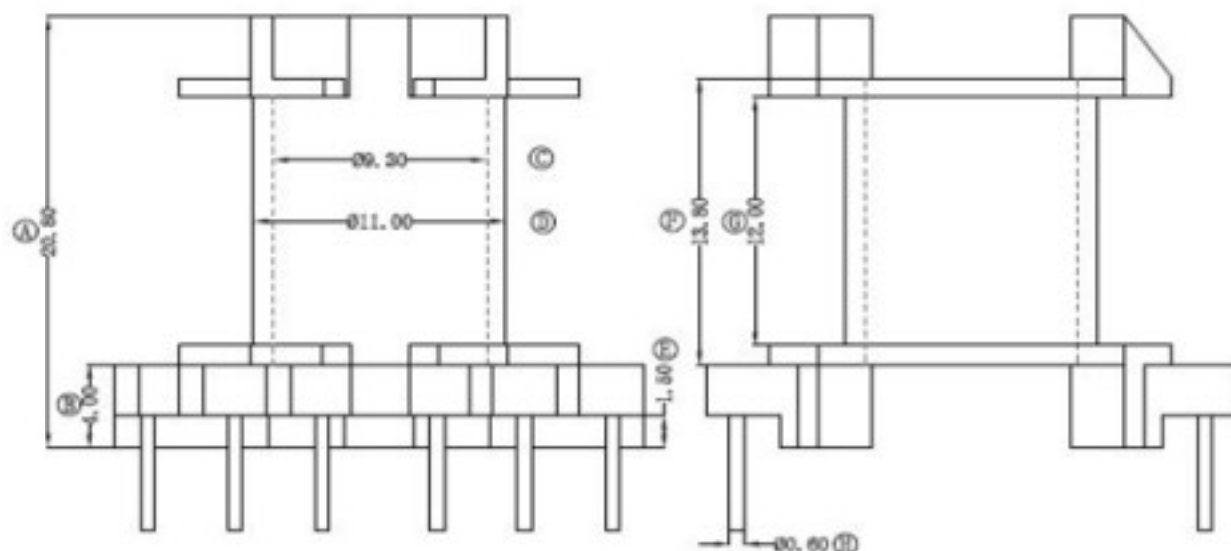
DATE

2014.10.18



(TYPE)

006160201141002



**Self  
Electronic**

MODEL

PQ20/20

6+8

MATERIAL

PHENOLIC

TEL

021-66745473  
021-66716806

TOLERANCE

SCALE

DRAW BY

FAX

021-66742368

 $0 < L \leq 4 \quad \pm 0.1$   
 $4 < L \leq 16 \quad \pm 0.2$   
 $16 < L \leq 63 \quad \pm 0.3$ 

4/1

CHECK BY

WEBSITE

selfelectronic.com

Pin pitch  $\pm 0.2$ 

UNIT

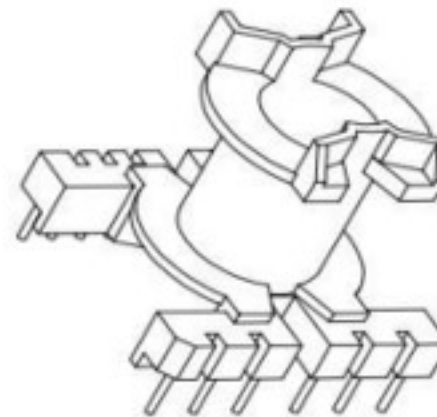
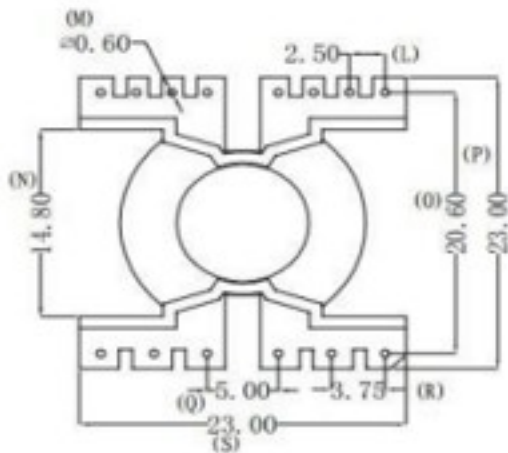
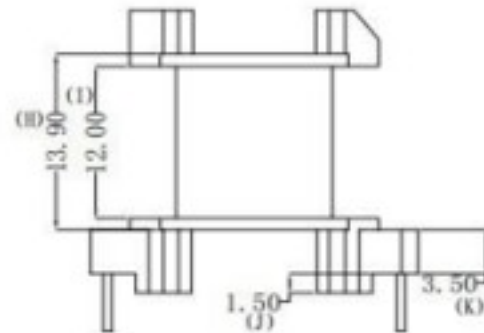
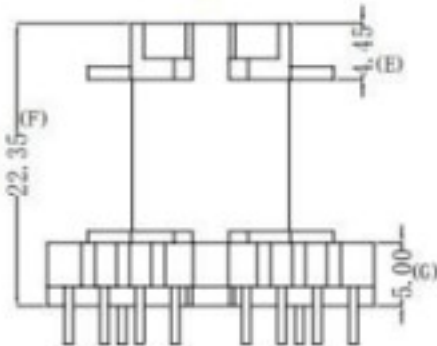
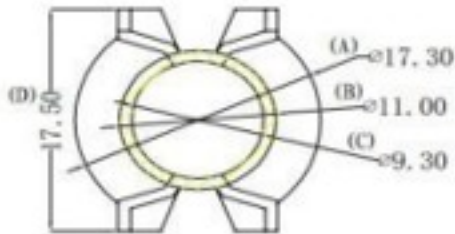
MM

DATE

2014.10.10

(TYPE)

029160201141001



### Self Electronic

MODEL

PQ20/20

6+8

MATERIAL

PHENOLIC

TEL

021-66745473  
021-66716806

TOLERANCE

SCALE

DRAW BY

FAX

021-66742368

 $0 < L \leq 4 \quad \pm 0.1$   
 $4 < L \leq 16 \quad \pm 0.2$ 

4/1

CHECK BY

WEBSITE

selfelectronic.com

 $16 < L \leq 63 \quad \pm 0.3$   
 Pin pitch  $\pm 0.2$ 

UNIT

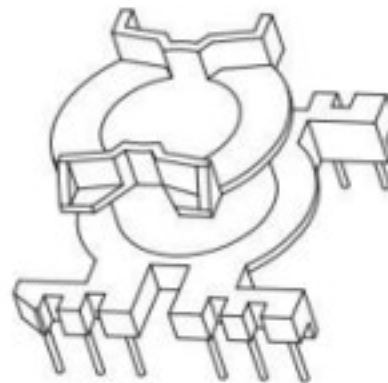
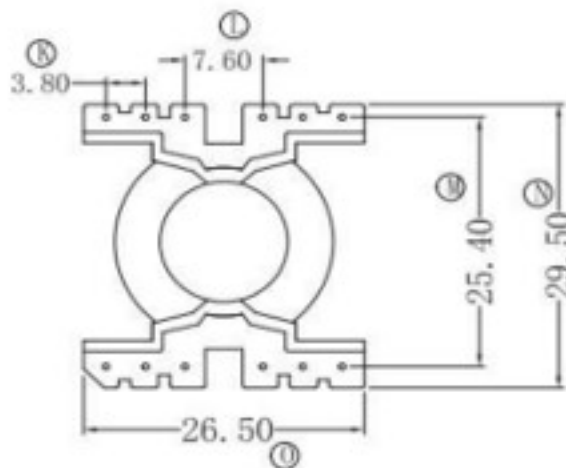
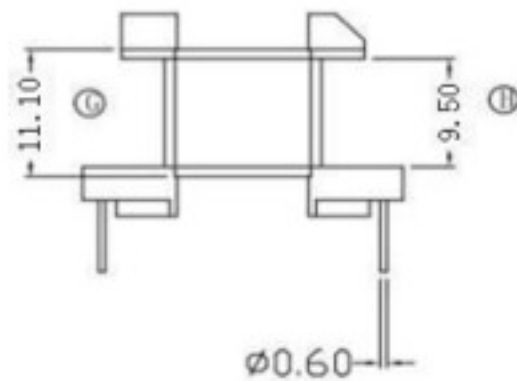
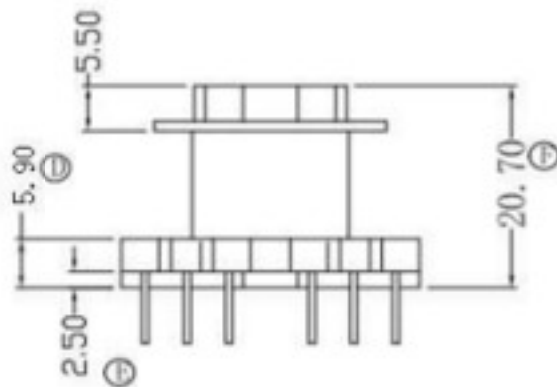
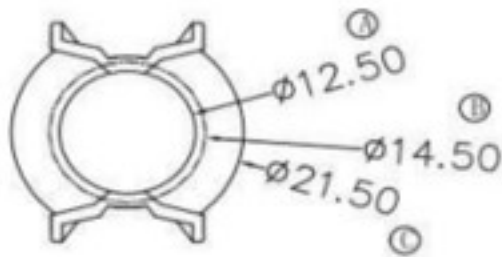
MM

DATE

2014.10.18

( TYPE)

006160261121001



### Self Electronic

MODEL

PQ26/20

6+6

MATERIAL

PHENOLIC

TEL

021-66745473  
021-66716806

TOLERANCE

SCALE

DRAW BY

FAX

021-66742368

 $0 < L \leq 4$   $\pm 0.1$  $4 < L \leq 16$   $\pm 0.2$  $16 < L \leq 63$   $\pm 0.3$ Pin pitch  $\pm 0.2$ 

4/1

CHECK BY

WEBSITE

selfelectronic.com

UNIT

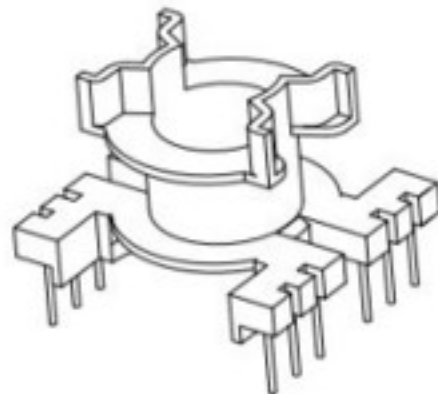
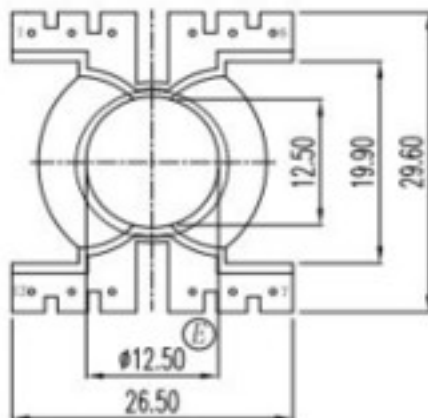
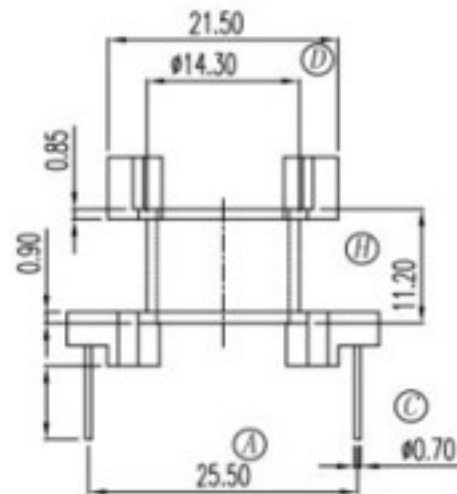
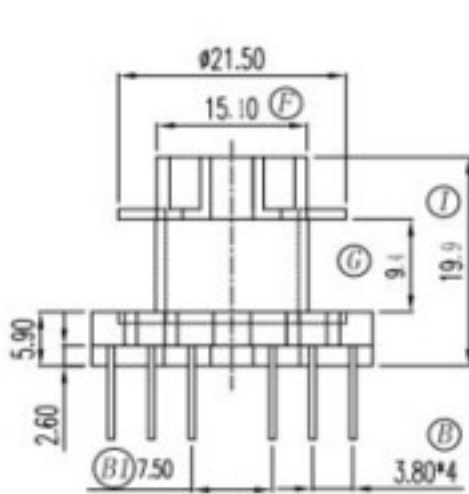
MM

DATE

2013.01.15

( TYPE)

078160261121001



**Self  
Electronic**

MODEL

PQ26/20

6+6

MATERIAL

PHENOLIC

TEL

021-66745473  
021-66716806

TOLERANCE

SCALE

DRAW BY

FAX

021-66742368

 $0 < L \leq 4 \quad \pm 0.1$   
 $4 < L \leq 16 \quad \pm 0.2$   
 $16 < L \leq 63 \quad \pm 0.3$ 

4/1

CHECK BY

WEBSITE

selfelectronic.com

Pin pitch  $\pm 0.2$ 

UNIT

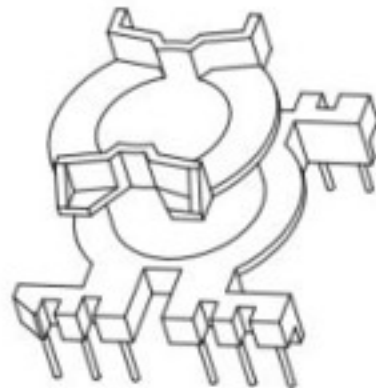
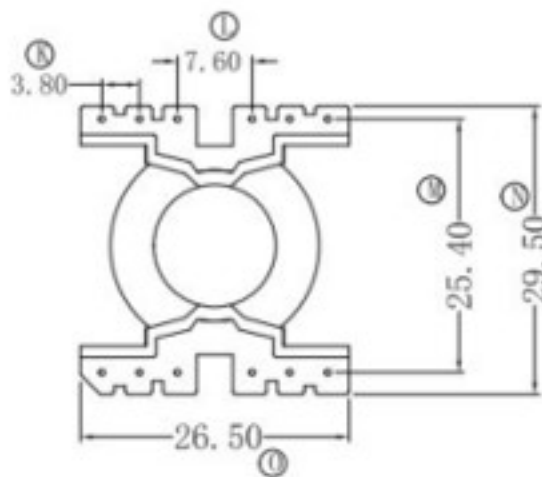
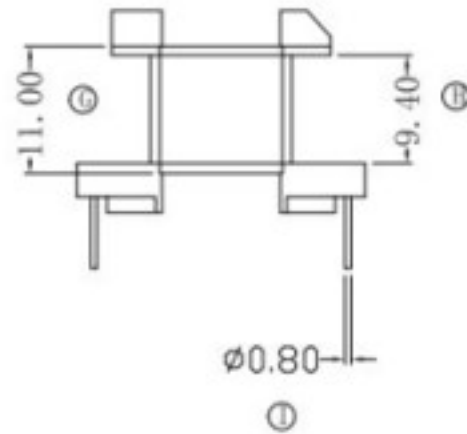
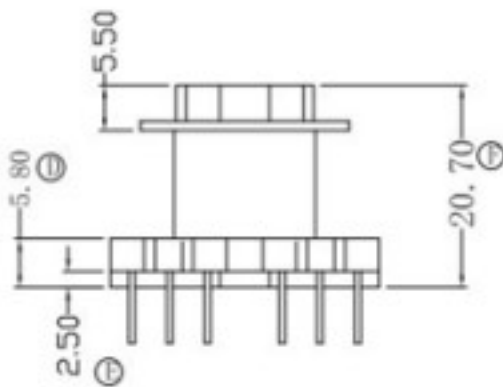
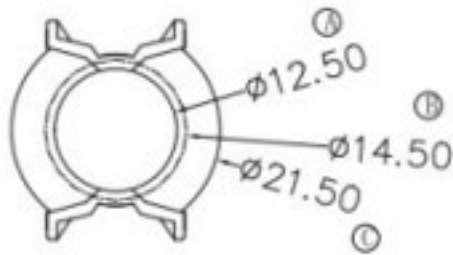
MM

DATE

2013.01.15

( TYPE)

006160261121007



**Self  
Electronic**

MODEL

PQ26/20 6+6

MATERIAL

PHENOLIC

TEL

021-66745473  
021-66716806

TOLERANCE

SCALE

DRAW BY

FAX

021-66742368

 $0 < L \leq 4 \quad \pm 0.1$   
 $4 < L \leq 16 \quad \pm 0.2$   
 $16 < L \leq 63 \quad \pm 0.3$   
 Pin pitch  $\pm 0.2$ 

4/1

CHECK BY

WEBSITE

selfelectronic.com

UNIT

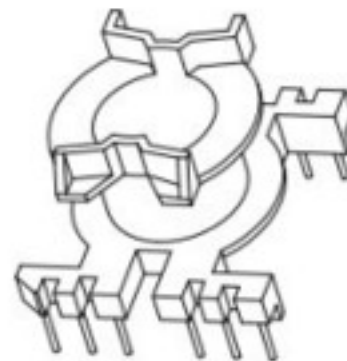
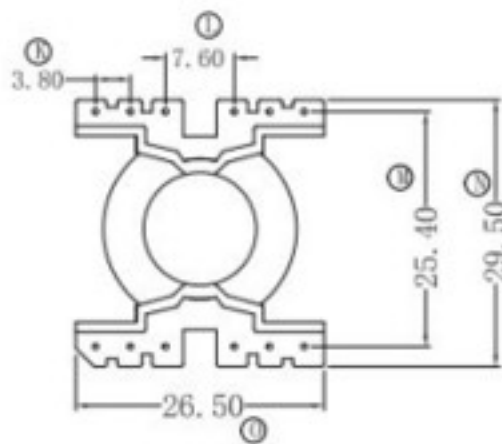
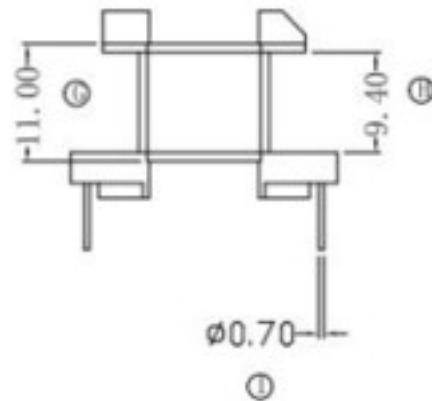
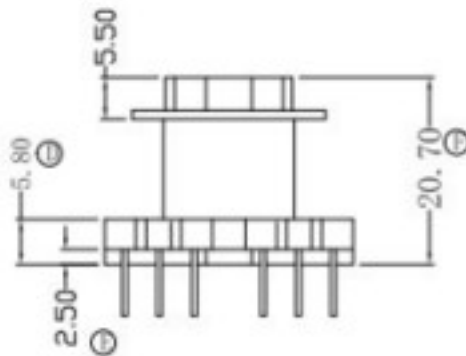
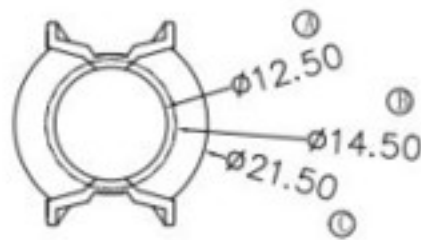
MM

DATE

2015.11.16

( TYPE )

006160261121009



**Self  
Electronic**

MODEL NAME

PQ26/20 6+6  
0.7mm

MATERIAL

PHENOLIC

TEL

021-66745473  
021-66716806

TOLERANCE

SCALE

DRAW BY

FAX

021-66742368

 $0 < L \leq 4 \quad \pm 0.1$   
 $4 < L \leq 16 \quad \pm 0.2$   
 $16 < L \leq 63 \quad \pm 0.3$   
 Pin pitch  $\pm 0.2$ 

4/1

CHECK BY

WEBSITE

selfelectronic.com

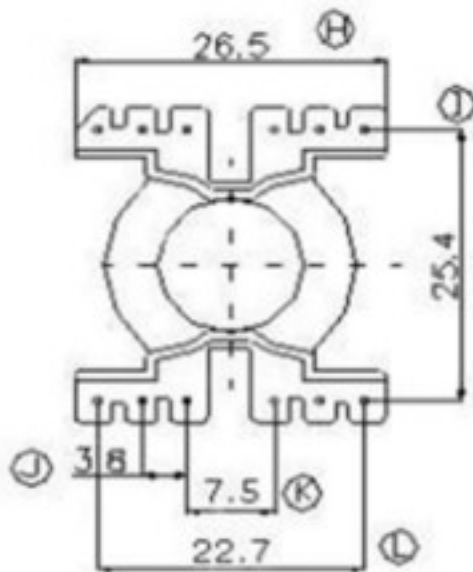
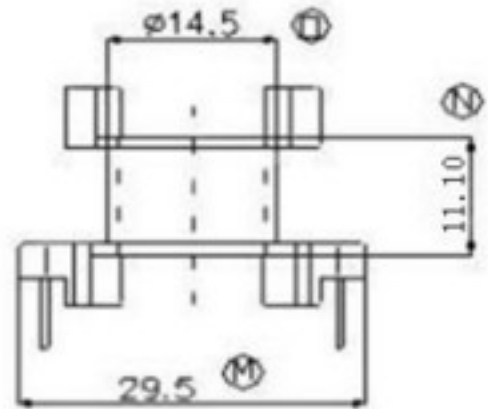
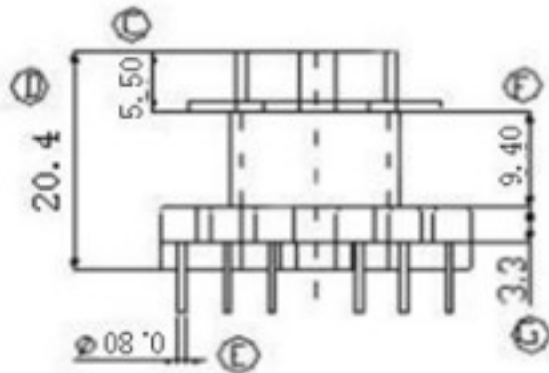
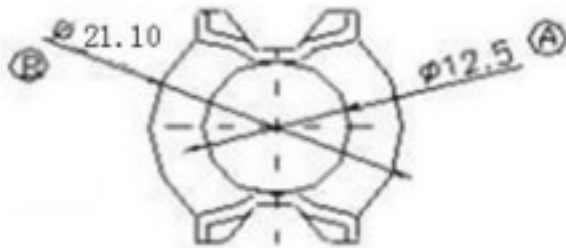
UNIT

MM

DATE

2015.11.16

(TYPE) 001160261121001



**Self  
Electronic**

MODEL PQ26/20 6+6

MATERIAL PHENOLIC

TEL 021-66745473  
021-66716806

TOLERANCE

SCALE

DRAW BY

FAX 021-66742368

0 < L ≤ 4 ±0.1

4 < L ≤ 16 ±0.2

16 < L ≤ 63 ±0.3

Pin pitch ±0.2

4/1

CHECK BY

WEBSITE selfelectronic.com

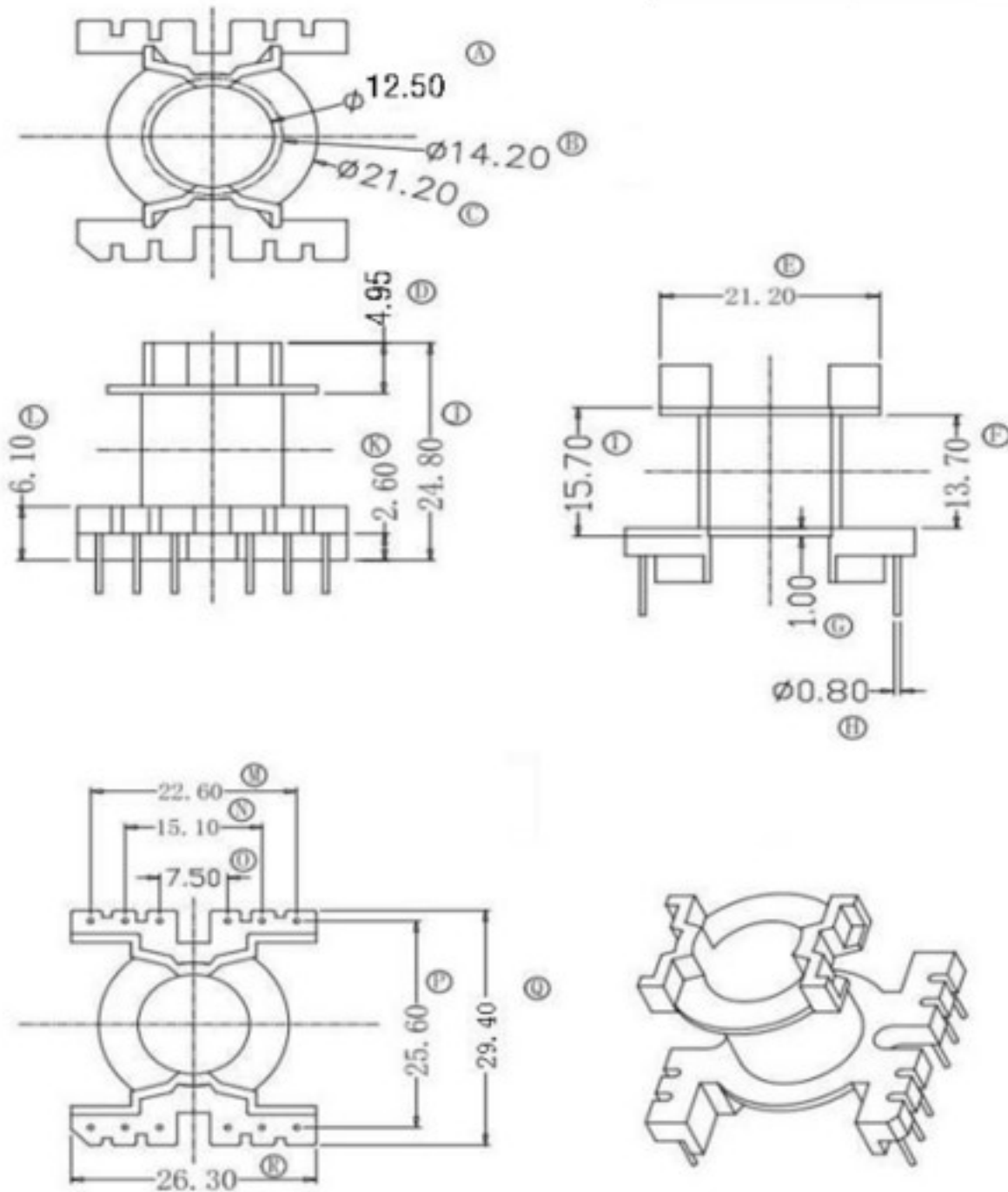
UNIT

MM

DATE

2014.10.18

(TYPE) 006160261121004



**Self  
Electronic**

MODEL PQ26/25 6+6

MATERIAL PHENOLIC

TEL 021-66745473  
021-66716806

TOLERANCE

SCALE DRAW BY

FAX 021-66742368

$0 < L \leq 4 \pm 0.1$   
 $4 < L \leq 16 \pm 0.2$   
 $16 < L \leq 63 \pm 0.3$

4/1 CHECK BY

WEBSITE selfelectronic.com

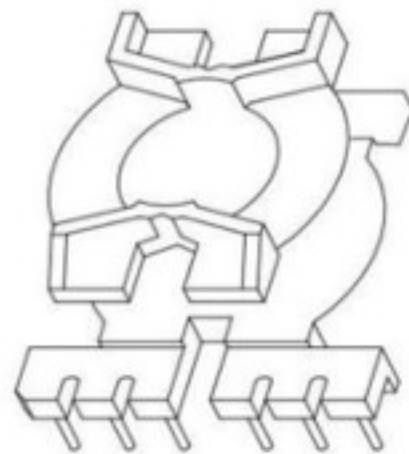
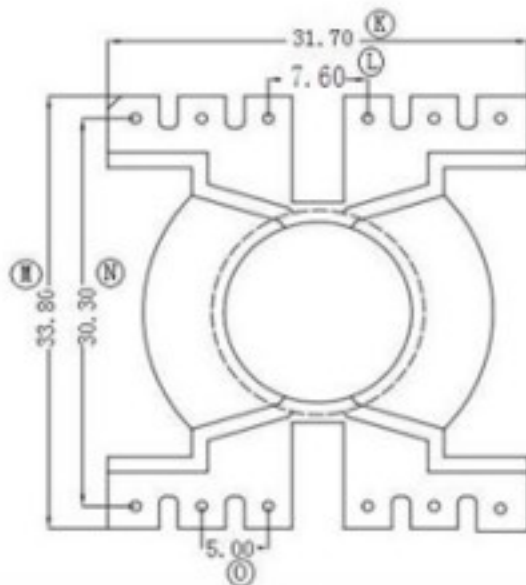
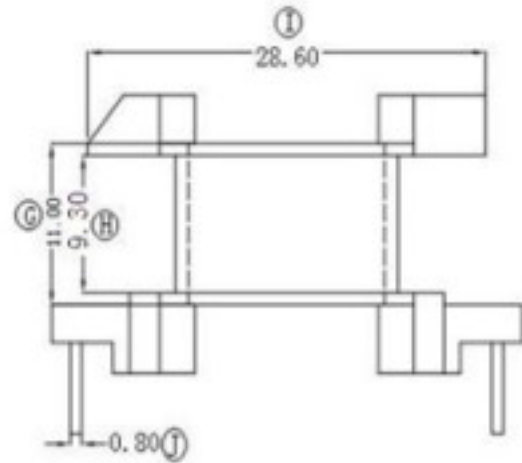
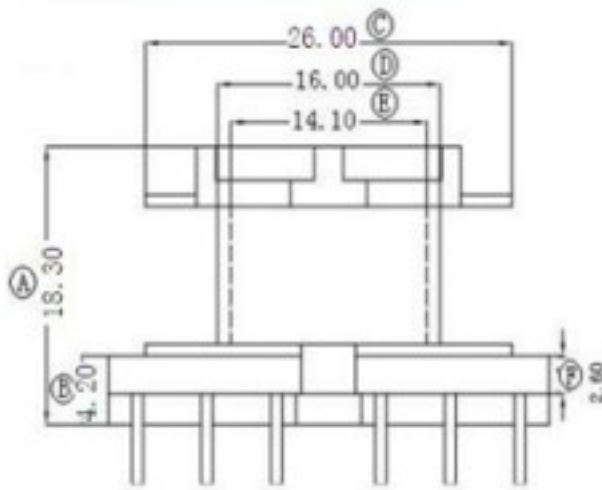
Pin pitch  $\pm 0.2$

UNIT MM DATE 2014.10.18



( TYPE)

001160321121001



**Self  
Electronic**

MODEL

PQ32/20

6+6

MATERIAL

PHENOLIC

TEL

021-66745473  
021-66716806

TOLERANCE

SCALE

DRAW BY

FAX

021-66742368

0 &lt; L ≤ 4 ±0.1

4 &lt; L ≤ 16 ±0.2

16 &lt; L ≤ 63 ±0.3

Pin pitch ±0.2

4/1

CHECK BY

WEBSITE

selfelectronic.com

UNIT

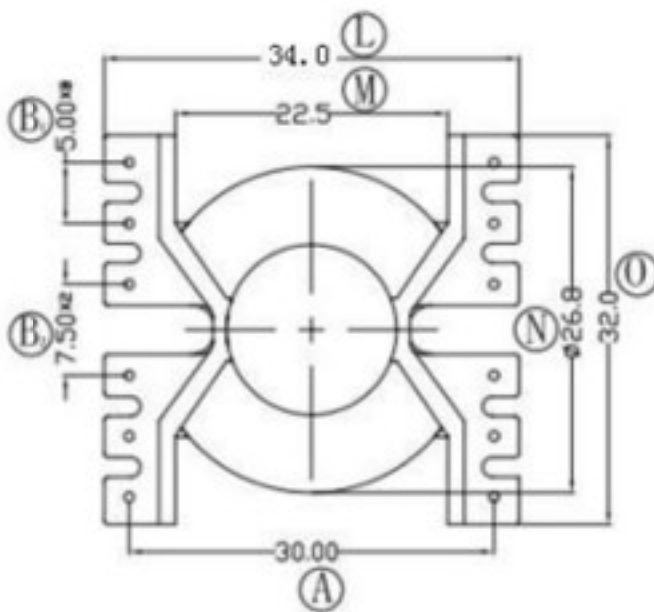
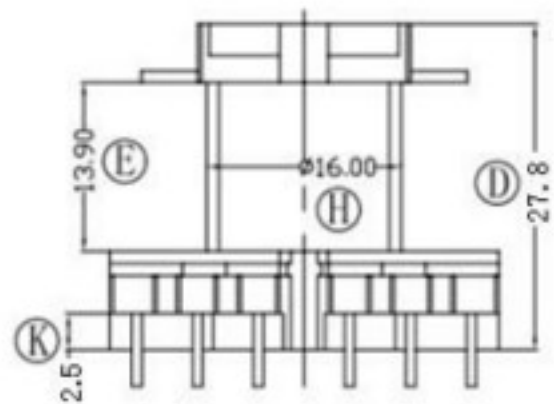
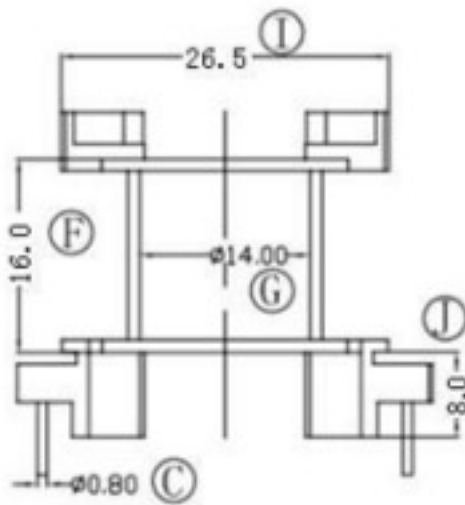
MM

DATE

2014.10.18

(TYPE)

005160321121001



### Self Electronic

MODEL

PQ32/25 6+6

MATERIAL

PHENOLIC

TEL

021-66745473  
021-66716806

TOLERANCE

SCALE

DRAW BY

FAX

021-66742368

0 &lt; L ≤ 4 ±0.1

4 &lt; L ≤ 16 ±0.2

16 &lt; L ≤ 63 ±0.3

Pin pitch ±0.2

4/1

CHECK BY

WEBSITE

selfelectronic.com

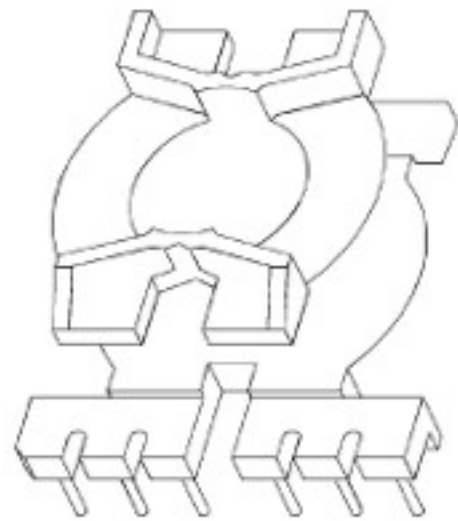
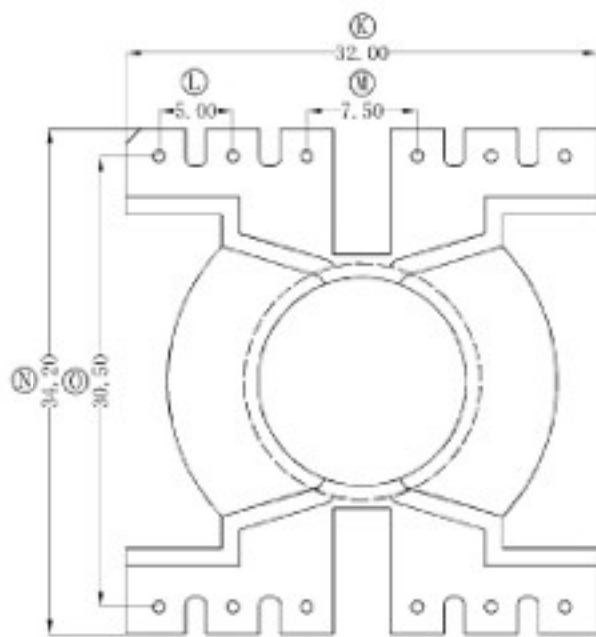
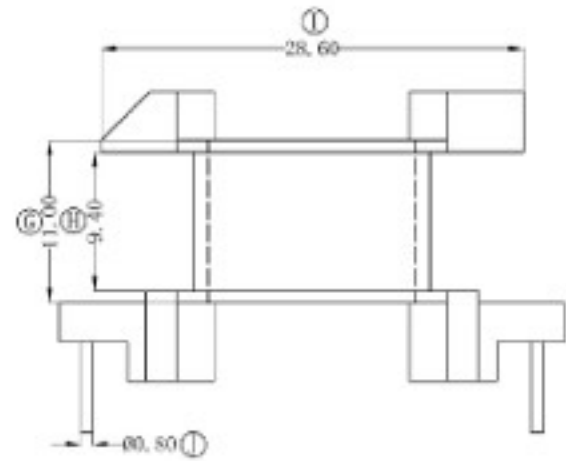
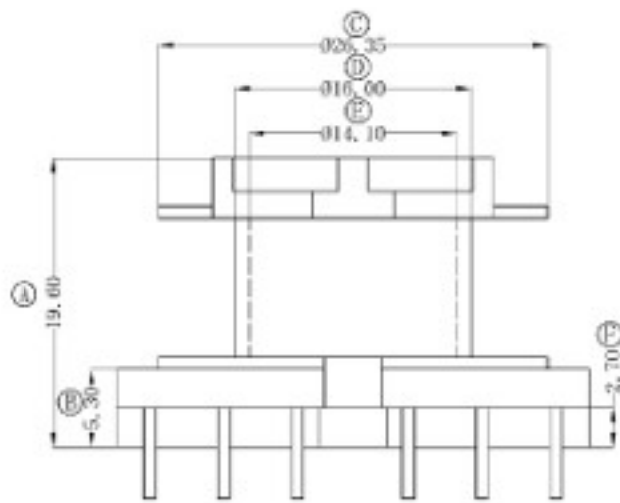
UNIT MM

DATE

2014.10.18

(TYPE)

006160321121001



**Self  
Electronic**

MODEL

PQ32/20 6+6

MATERIAL

PHENOLIC

TEL

021-66745473  
021-66716806

TOLERANCE

SCALE

DRAW BY

FAX

021-66742368

 $0 < L \leq 4 \quad \pm 0.1$   
 $4 < L \leq 16 \quad \pm 0.2$   
 $16 < L \leq 63 \quad \pm 0.3$   
 Pin pitch  $\pm 0.2$ 

4/1

CHECK BY

WEBSITE

selfelectronic.com

UNIT

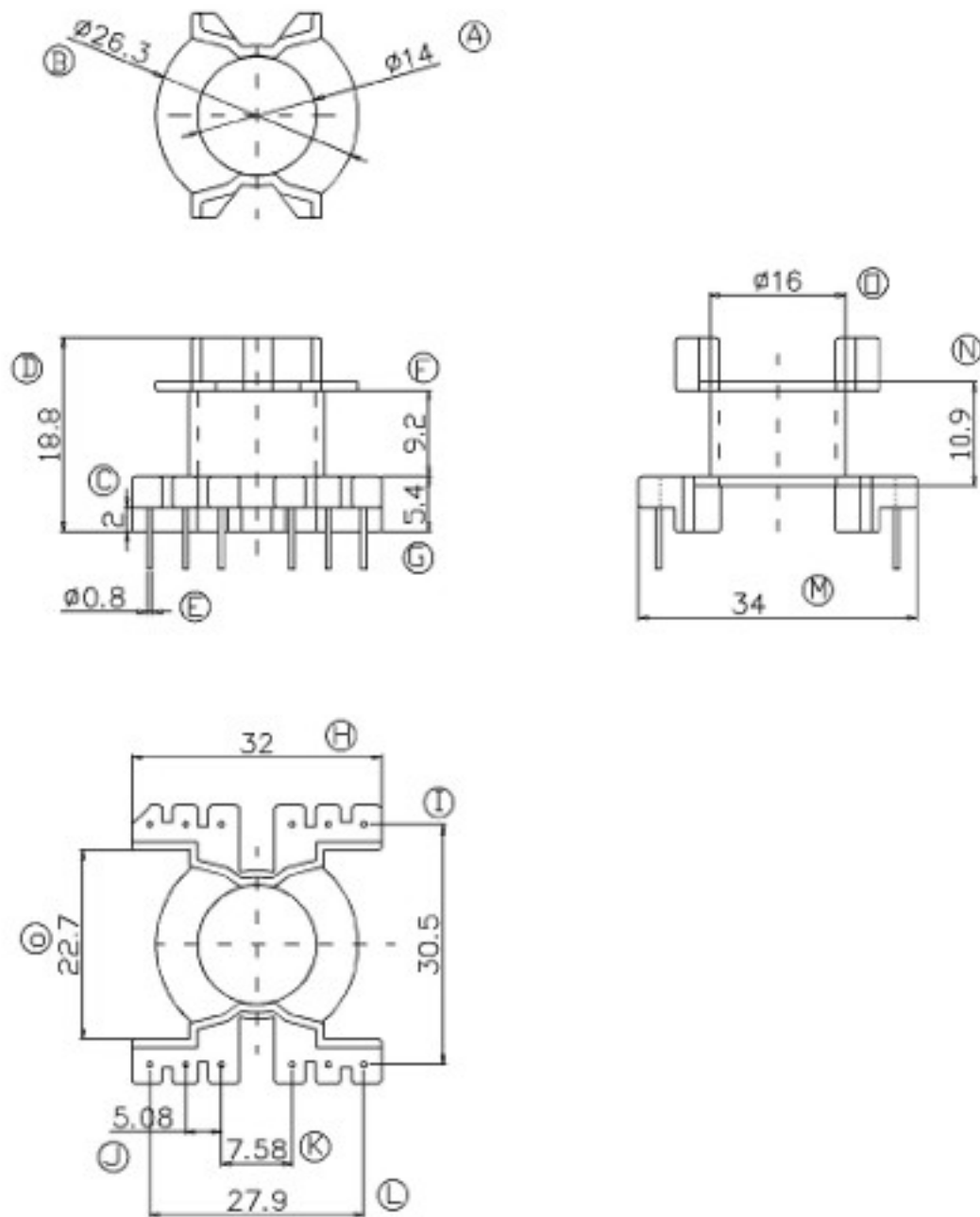
MM

DATE

2014.10.10

(TYPE)

031160321121001



**Self  
Electronic**

MODEL

PQ32/20 6+6

MATERIAL

PHENOLIC

TEL

021-66745473  
021-66716806

TOLERANCE

SCALE

DRAW BY

FAX

021-66742368

 $0 < L \leq 4 \quad \pm 0.1$   
 $4 < L \leq 16 \quad \pm 0.2$ 

4/1

CHECK BY

WEBSITE

selfelectronic.com

 $16 < L \leq 63 \quad \pm 0.3$   
 Pin pitch  $\pm 0.2$ 

UNIT

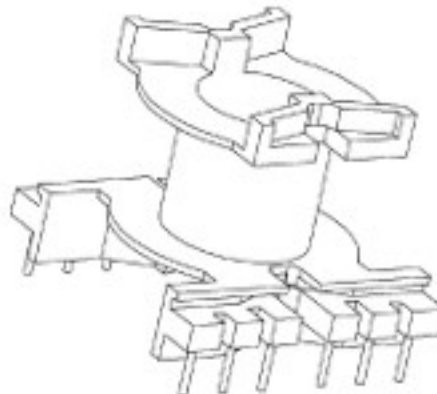
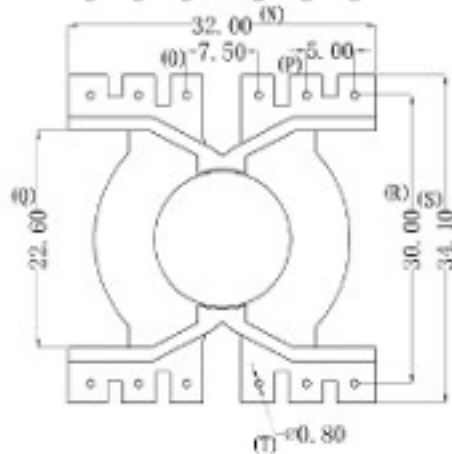
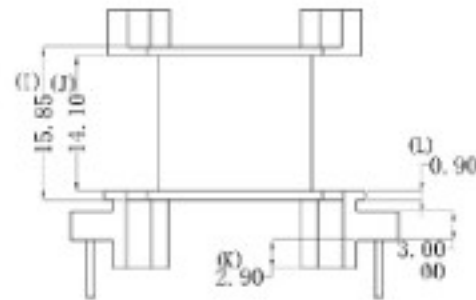
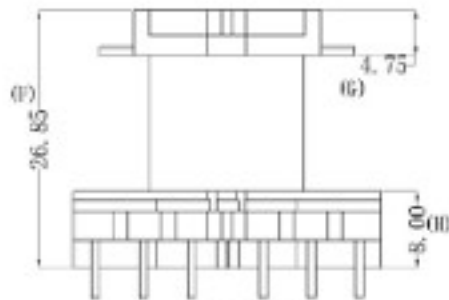
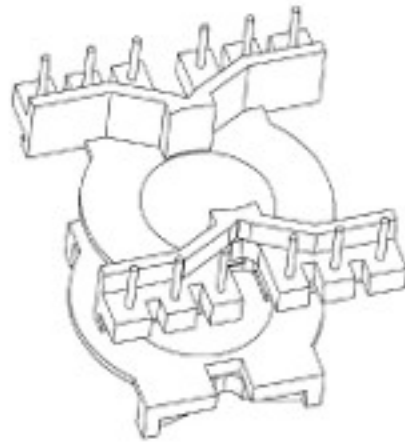
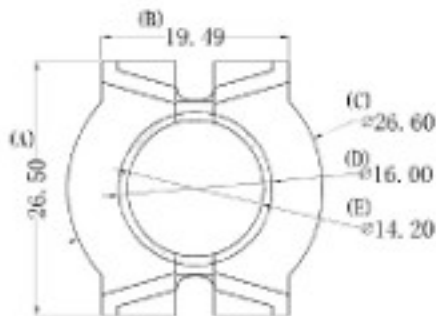
MM

DATE

2014.10.10

(TYPE)

029160321121003



**Self  
Electronic**

MODEL

PQ32/25 6+6  
26.85mm

MATERIAL

PHENOLIC

TEL

021-66745473  
021-66716806

TOLERANCE

SCALE

DRAW BY

FAX

021-66742368

0 < L ≤ 4 ±0.1  
4 < L ≤ 16 ±0.2

4/1

CHECK BY

WEBSITE

selfelectronic.com

16 < L ≤ 63 ±0.3  
Pin pitch ±0.2

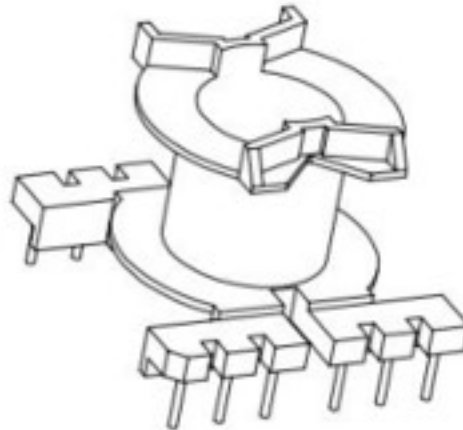
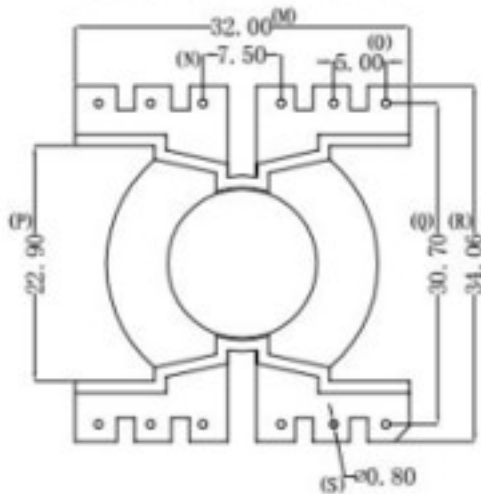
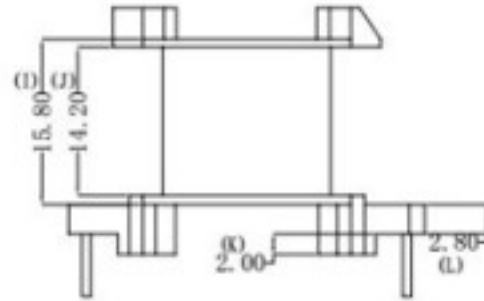
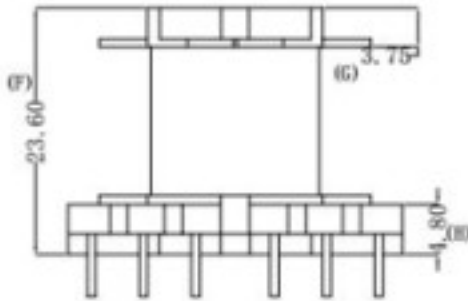
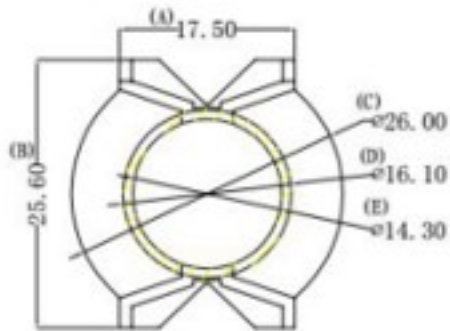
UNIT MM

DATE

2014.10.18

(TYPE)

029160321121003



**Self  
Electronic**

MODEL

PQ32/25 6+6  
23.6mm

MATERIAL

PHENOLIC

TEL

021-66745473  
021-66716806

TOLERANCE

SCALE

DRAW BY

FAX

021-66742368

 $0 < L \leq 4 \quad \pm 0.1$   
 $4 < L \leq 16 \quad \pm 0.2$ 

4/1

CHECK BY

WEBSITE

selfelectronic.com

 $16 < L \leq 63 \quad \pm 0.3$   
 Pin pitch  $\pm 0.2$ 

UNIT

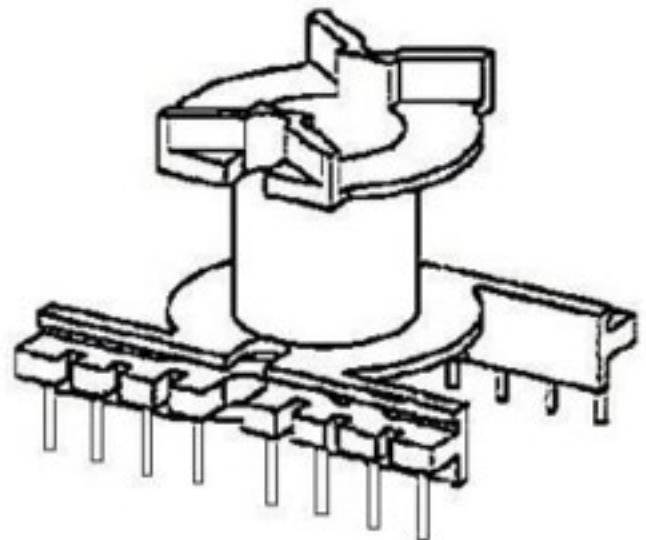
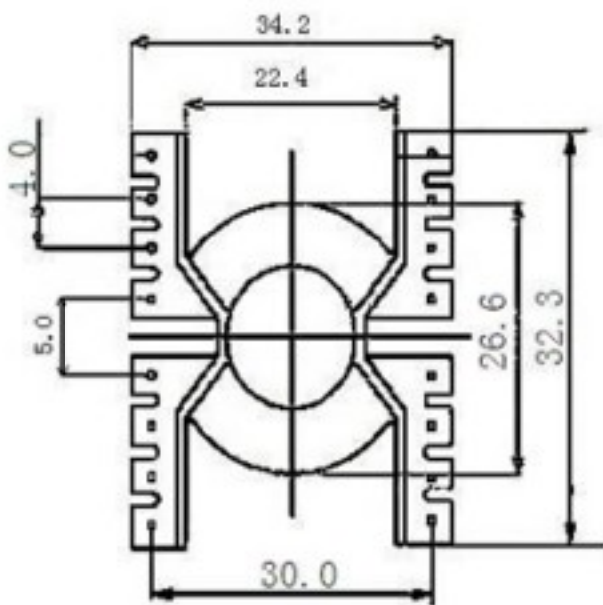
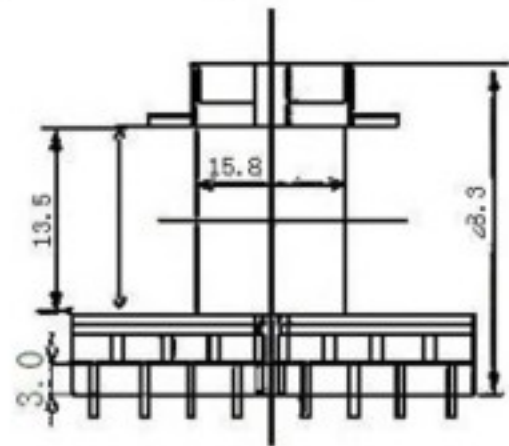
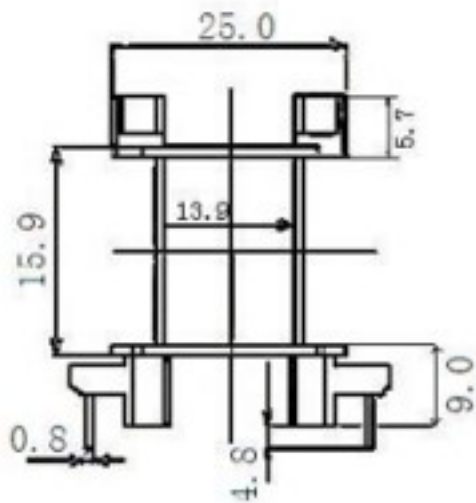
MM

DATE

2014.10.18

(TYPE)

002160321161001



**Self  
Electronic**

MODEL

PQ32/25

8+8

MATERIAL

PHENOLIC

TEL

021-66745473  
021-66716806

TOLERANCE

SCALE

DRAW BY

FAX

021-66742368

0 &lt; L ≤ 4 ±0.1

4 &lt; L ≤ 16 ±0.2

16 &lt; L ≤ 63 ±0.3

Pin pitch ±0.2

4/1

CHECK BY

WEBSITE

selfelectronic.com

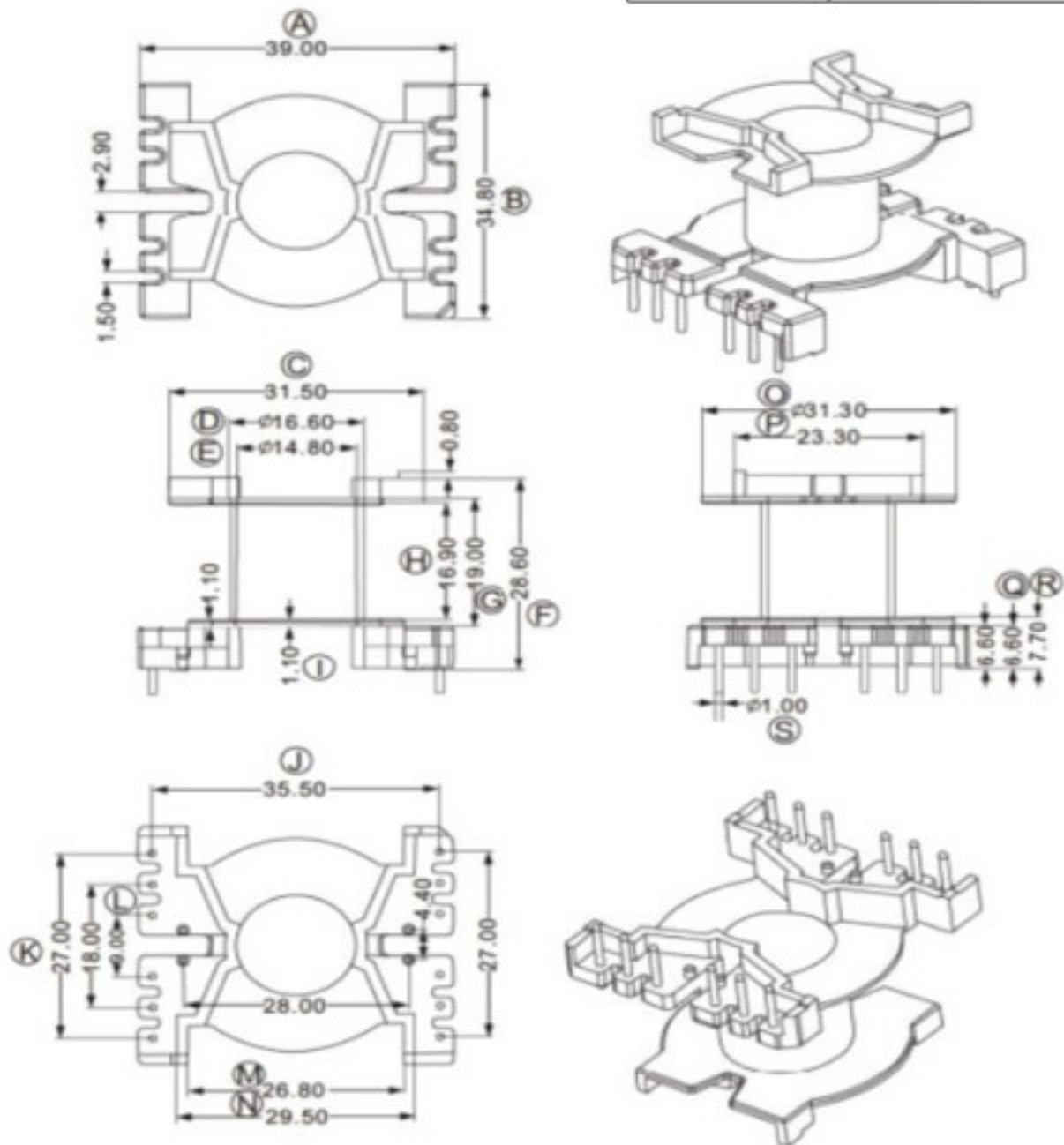
UNIT MM

DATE

2014.10.18

(TYPE)

058160351121001



### Self Electronic

MODEL

PQ35/30

6+6

MATERIAL

PHENOLIC

TEL

021-66745473  
021-66716806

TOLERANCE

SCALE

DRAW BY

FAX

021-66742368

 $0 < L \leq 4 \quad \pm 0.1$   
 $4 < L \leq 16 \quad \pm 0.2$ 

4/1

CHECK BY

WEBSITE

selfelectronic.com

 $16 < L \leq 63 \quad \pm 0.3$   
 Pin pitch  $\pm 0.2$ 

UNIT

MM

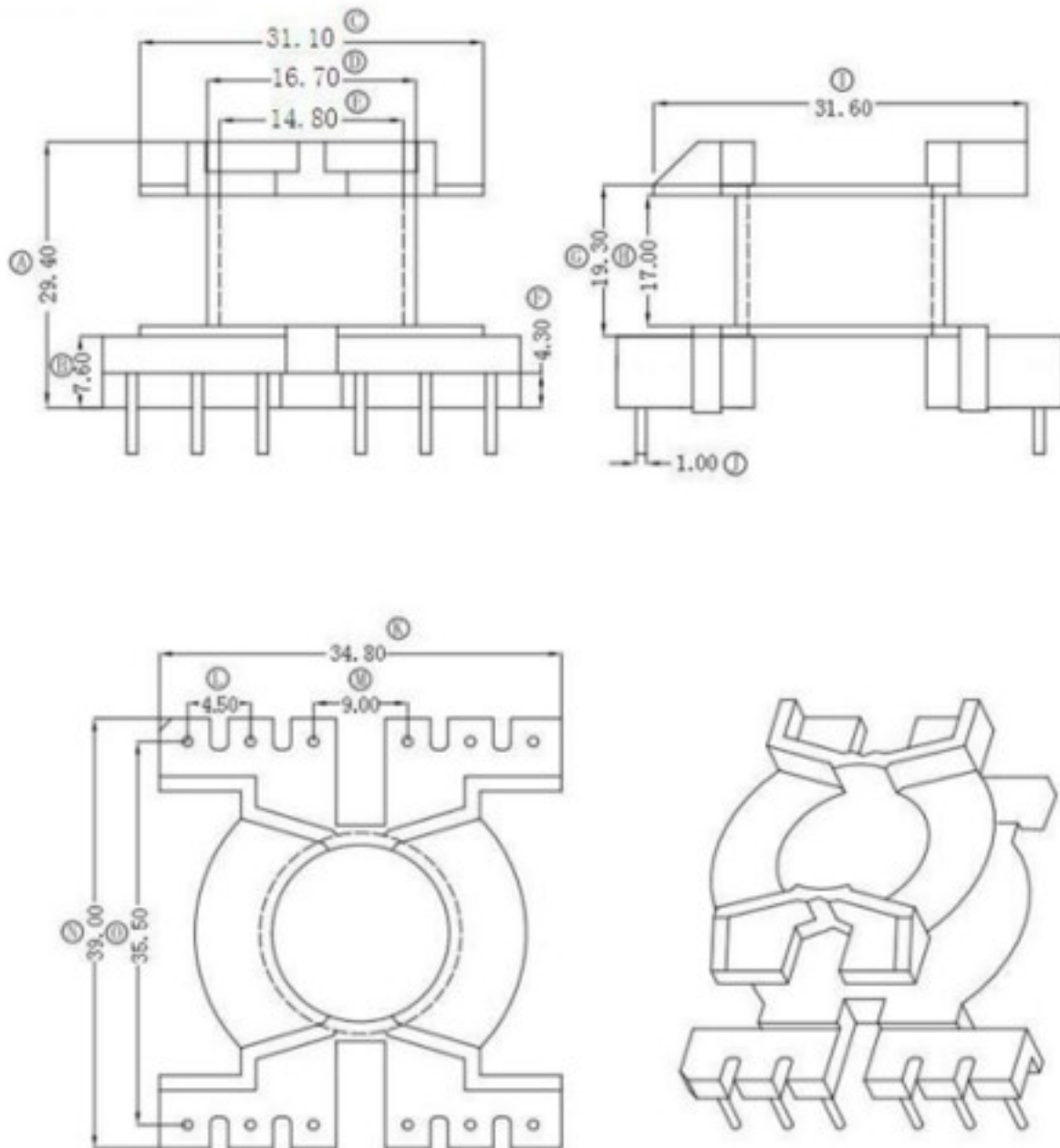
DATE

2014.10.18



(TYPE)

044160351121001



### Self Electronic

MODEL

PQ35/30 6+6

MATERIAL

PHENOLIC

TEL

021-66745473  
021-66716806

TOLERANCE

 $0 < L \leq 4 \quad \pm 0.1$   
 $4 < L \leq 16 \quad \pm 0.2$   
 $16 < L \leq 63 \quad \pm 0.3$   
 Pin pitch  $\pm 0.2$ 

SCALE

4/1

DRAW BY

CHECK BY

WEBSITE

selfelectronic.com

UNIT

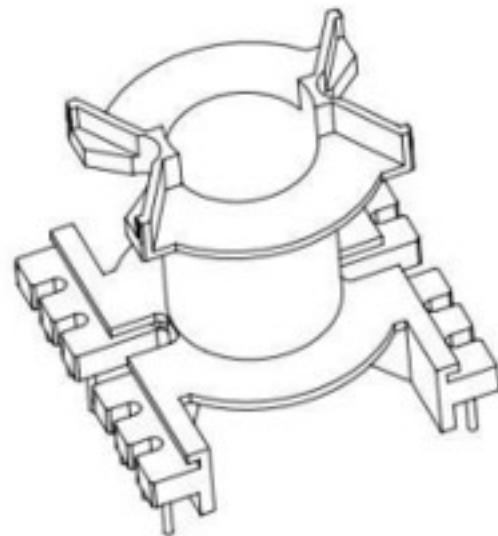
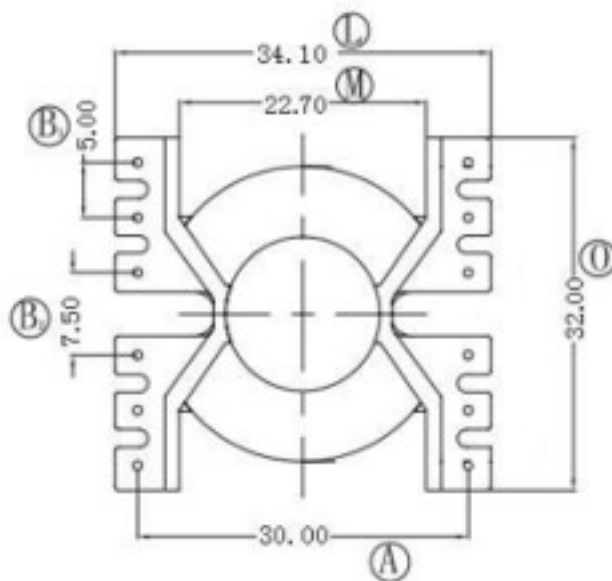
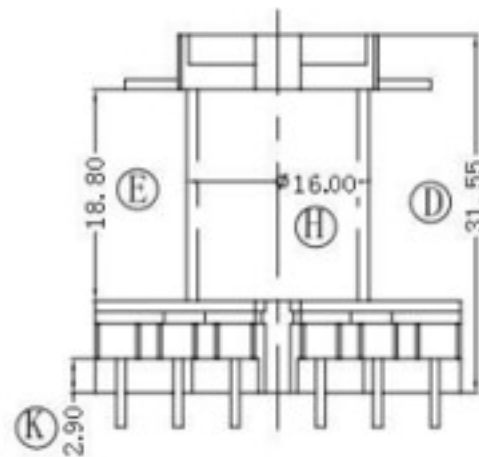
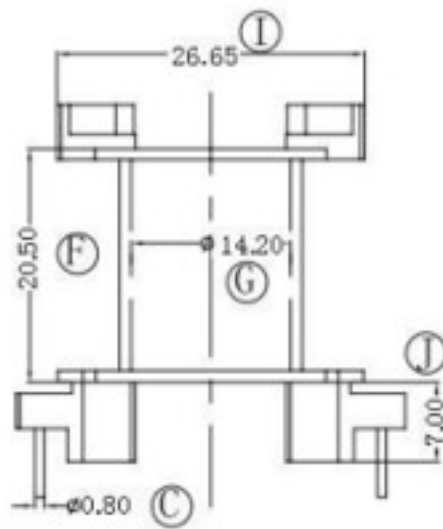
MM

DATE

2014.10.18

(TYPE)

029160321121001



### Self Electronic

MODEL

PQ32/30

6+6

MATERIAL

PHENOLIC

TEL

021-66745473  
021-66716806

TOLERANCE

 $0 < L \leq 4 \quad \pm 0.1$   
 $4 < L \leq 16 \quad \pm 0.2$   
 $16 < L \leq 63 \quad \pm 0.3$   
 Pin pitch  $\pm 0.2$ 

SCALE

DRAW BY

FAX

021-66742368

4/1

CHECK BY

WEBSITE

selfelectronic.com

UNIT

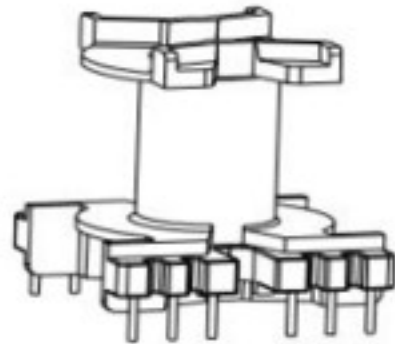
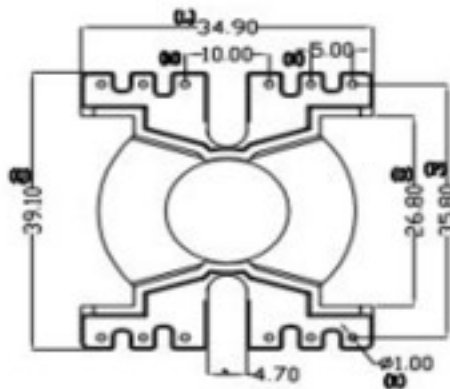
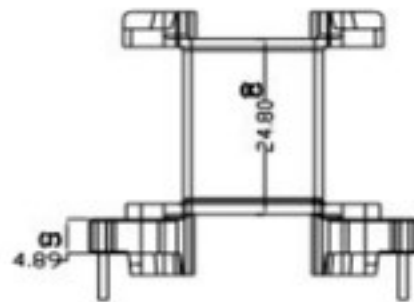
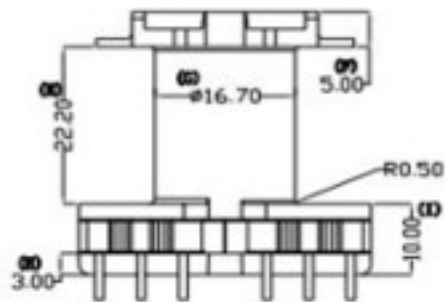
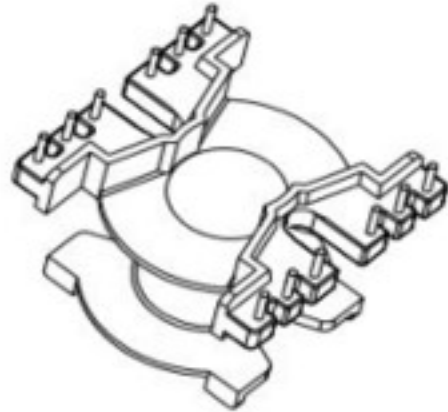
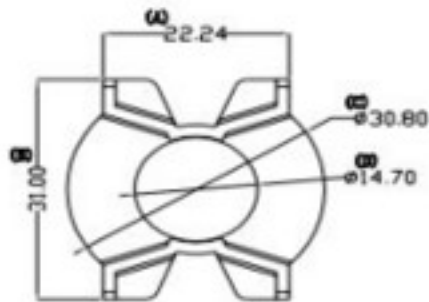
MM

DATE

2014.10.18

(TYPE)

010160351121001



**Self  
Electronic**

MODEL

PQ35/35

6+6

MATERIAL

PHENOLIC

TEL

021-66745473  
021-66716806

TOLERANCE

SCALE

DRAW BY

FAX

021-66742368

 $0 < L \leq 4 \quad \pm 0.1$   
 $4 < L \leq 16 \quad \pm 0.2$ 

4/1

CHECK BY

WEBSITE

selfelectronic.com

 $16 < L \leq 63 \quad \pm 0.3$   
 Pin pitch  $\pm 0.2$ 

UNIT

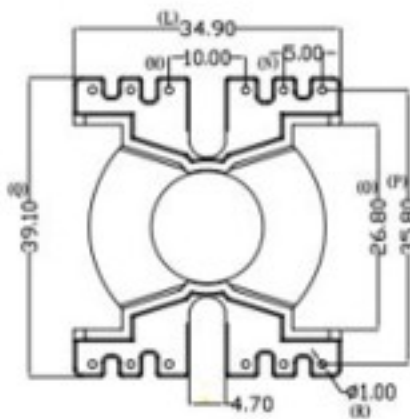
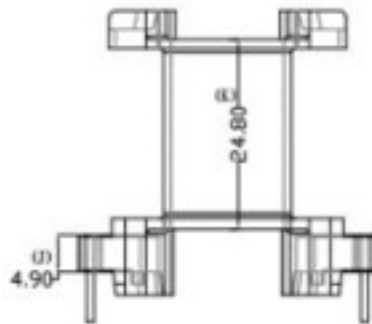
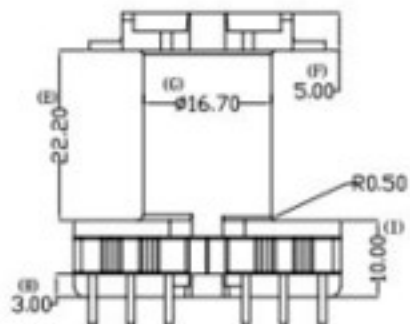
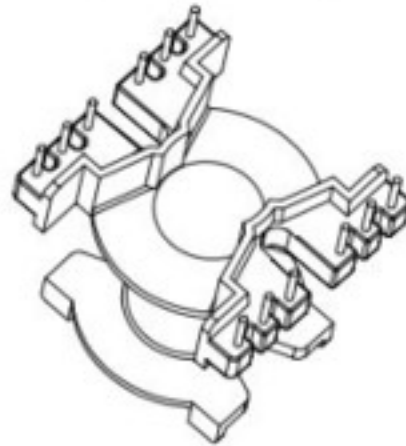
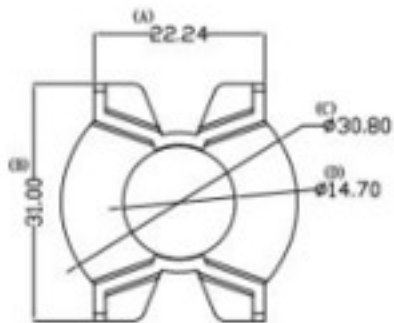
MM

DATE

2015.11.16

(TYPE)

029160351121001



**Self  
Electronic**

MODEL

PQ35/35 6+6

MATERIAL

PHENOLIC

TEL

021-66745473  
021-66716806

TOLERANCE

SCALE

DRAW BY

FAX

021-66742368

0 &lt; L ≤ 4 ±0.1

4 &lt; L ≤ 16 ±0.2

16 &lt; L ≤ 63 ±0.3

Pin pitch ±0.2

4/1

CHECK BY

WEBSITE

selfelectronic.com

UNIT

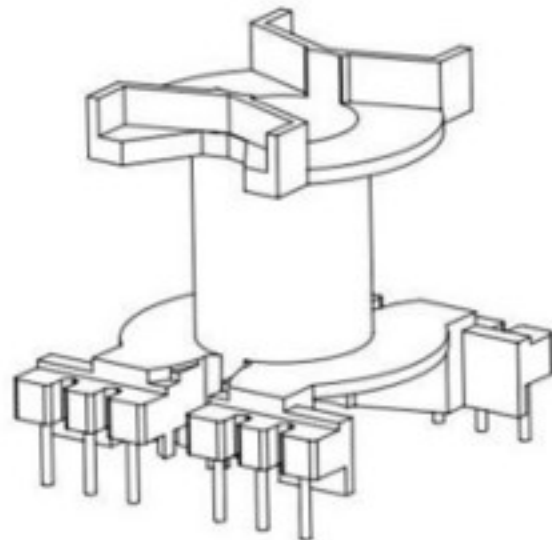
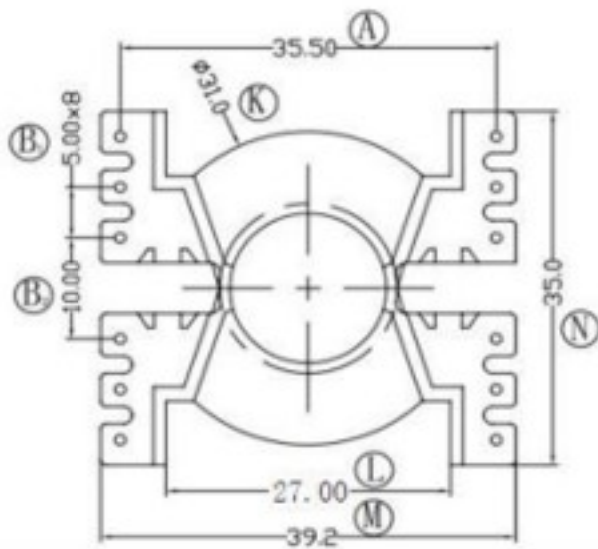
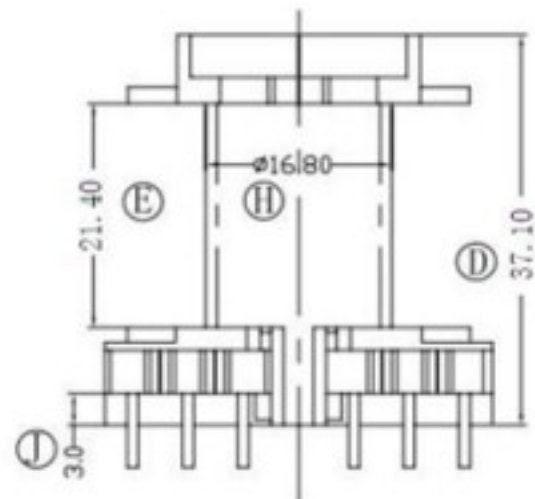
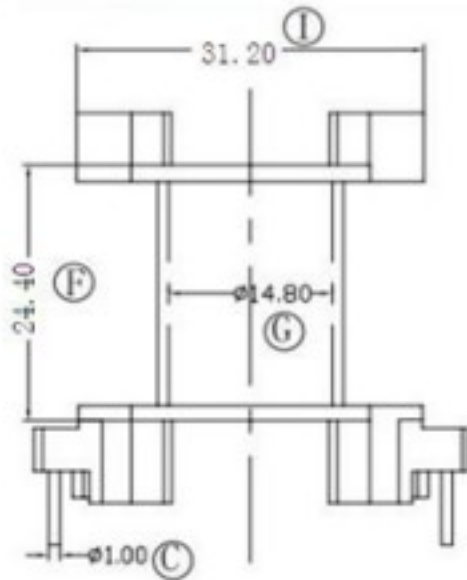
MM

DATE

2015.11.16

(TYPE)

005160351121001



### Self Electronic

MODEL

PQ35/35

6+6

MATERIAL

PHENOLIC

TEL

021-66745473  
021-66716806

TOLERANCE

SCALE

DRAW BY

FAX

021-66742368

 $0 < L \leq 4$   $\pm 0.1$  $4 < L \leq 16$   $\pm 0.2$  $16 < L \leq 63$   $\pm 0.3$ Pin pitch  $\pm 0.2$ 

4/1

CHECK BY

WEBSITE

selfelectronic.com

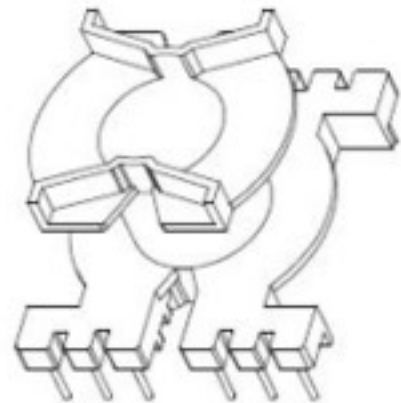
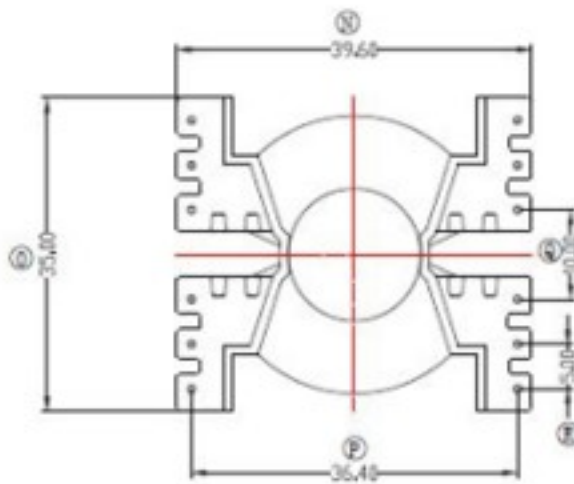
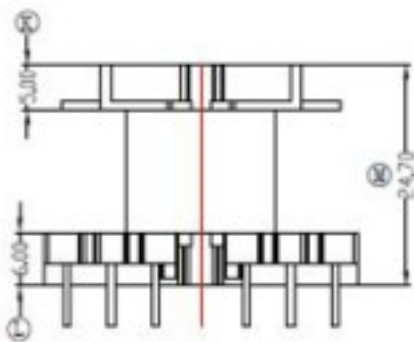
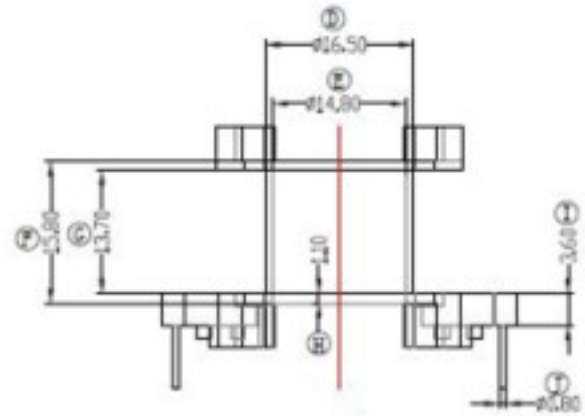
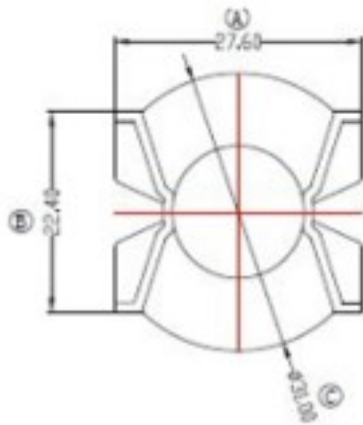
UNIT

MM

DATE

2014.10.18

(TYPE) 046160351120001



**Self Electronic**

MODEL PQ35/25 3 6+6

MATERIAL PHENOLIC

TEL 021-66745473  
021-66716806

TOLERANCE

SCALE

DRAW BY

FAX 021-66742368

0 < L ≤ 4 ±0.1

4 < L ≤ 16 ±0.2

16 < L ≤ 63 ±0.3

Pin pitch ±0.2

4/1

CHECK BY

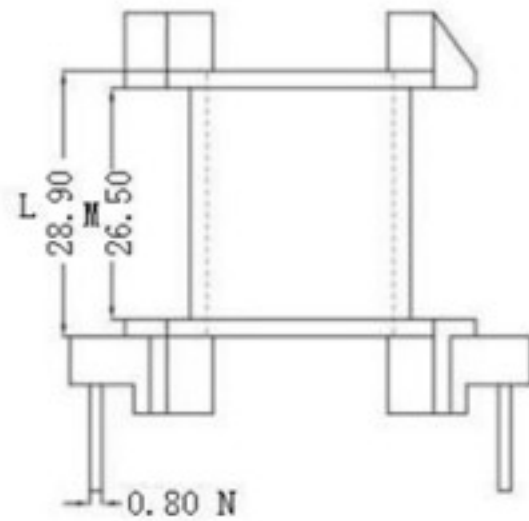
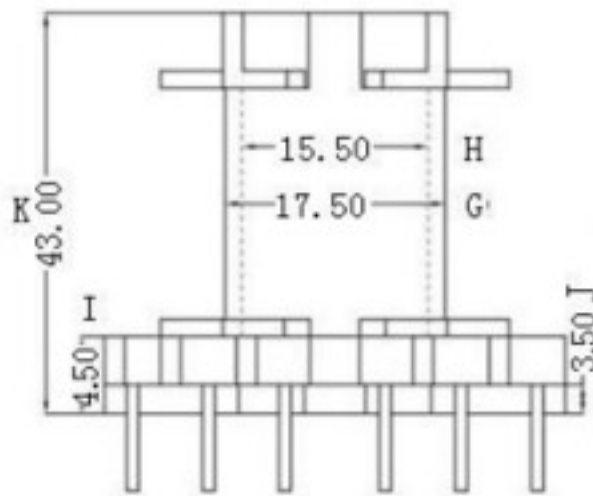
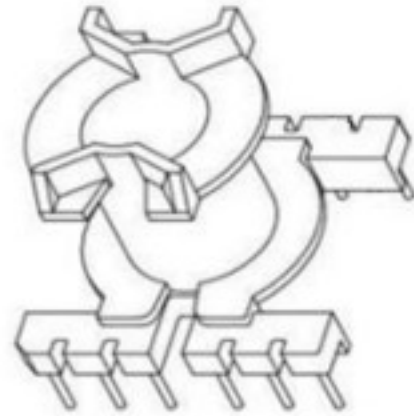
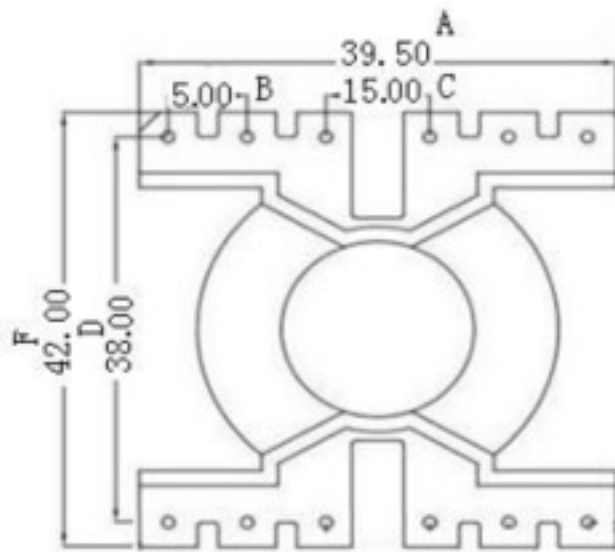
WEBSITE selfelectronic.com

UNIT MM

DATE 2014.10.18

(TYPE)

005160401121001



### Self Electronic

MODEL

PQ40/40 6+6

MATERIAL

PHENOLIC

TEL

021-66745473  
021-66716806

TOLERANCE

SCALE

DRAW BY

FAX

021-66742368

 $0 < L \leq 4$   $\pm 0.1$  $4 < L \leq 16$   $\pm 0.2$  $16 < L \leq 63$   $\pm 0.3$ Pin pitch  $\pm 0.2$ 

4/1

CHECK BY

WEBSITE

selfelectronic.com

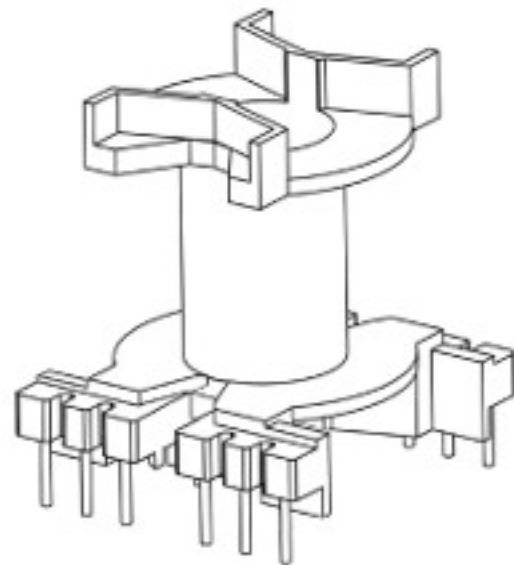
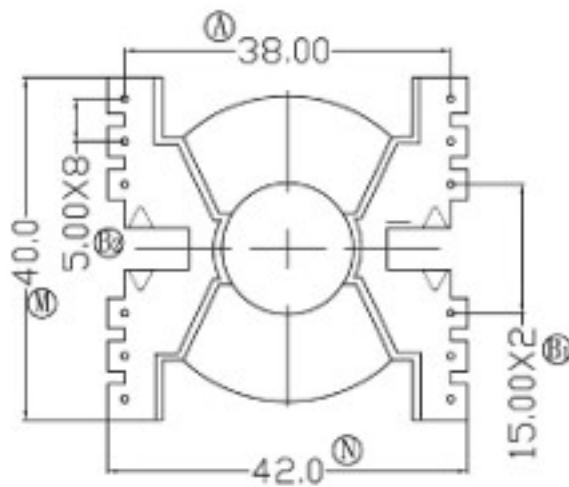
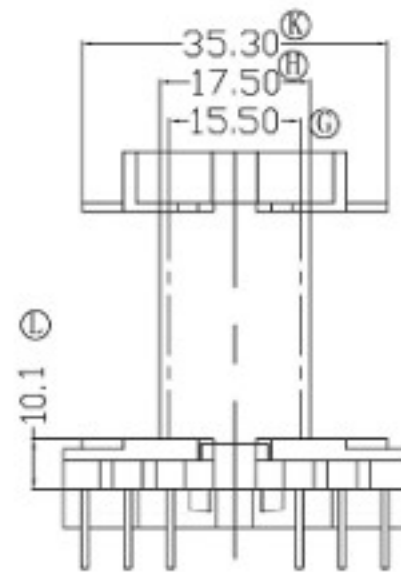
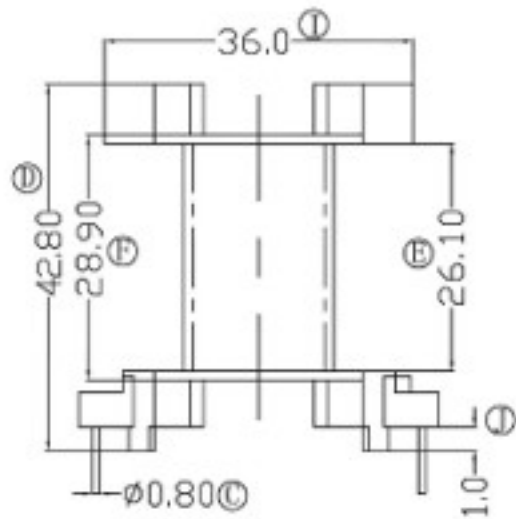
UNIT MM

DATE

2014.10.18

(TYPE)

057160401121001



### Self Electronic

MODEL

PQ40/40

6+6

MATERIAL

PHENOLIC

TEL

021-66745473  
021-66716806

TOLERANCE

SCALE

DRAW BY

FAX

021-66742368

0 &lt; L ≤ 4 ±0.1

4 &lt; L ≤ 16 ±0.2

16 &lt; L ≤ 63 ±0.3

Pin pitch ±0.2

4/1

CHECK BY

WEBSITE

selfelectronic.com

UNIT MM

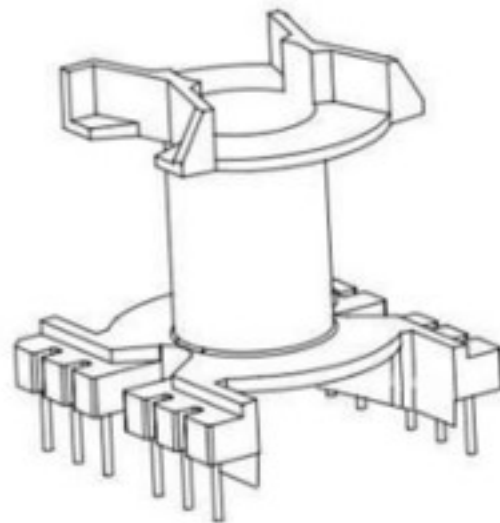
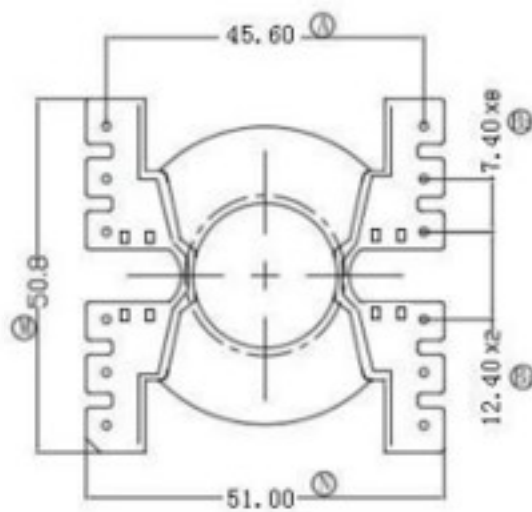
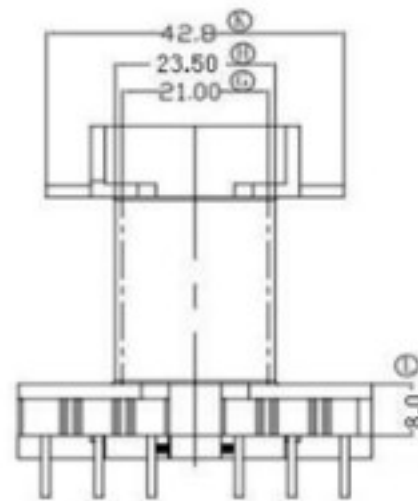
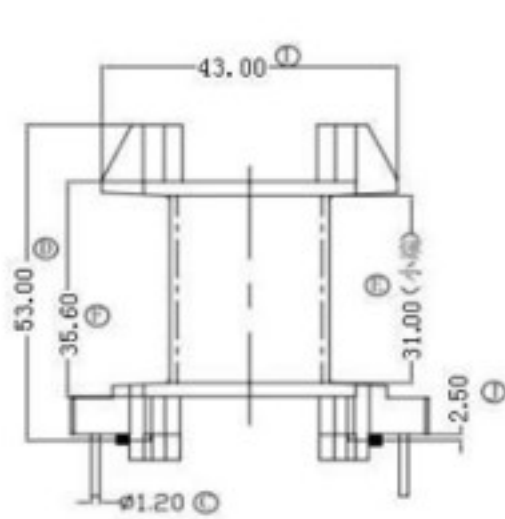
DATE

2014.10.18



( TYPE)

005160501121001



**Self  
Electronic**

MODEL

PQ50/50 6+6

MATERIAL

PHENOLIC

TEL

021-66745473  
021-66716806

TOLERANCE

SCALE

DRAW BY

FAX

021-66742368

0 &lt; L ≤ 4 ±0.1

4 &lt; L ≤ 16 ±0.2

16 &lt; L ≤ 63 ±0.3

Pin pitch ±0.2

4/1

CHECK BY

WEBSITE

selfelectronic.com

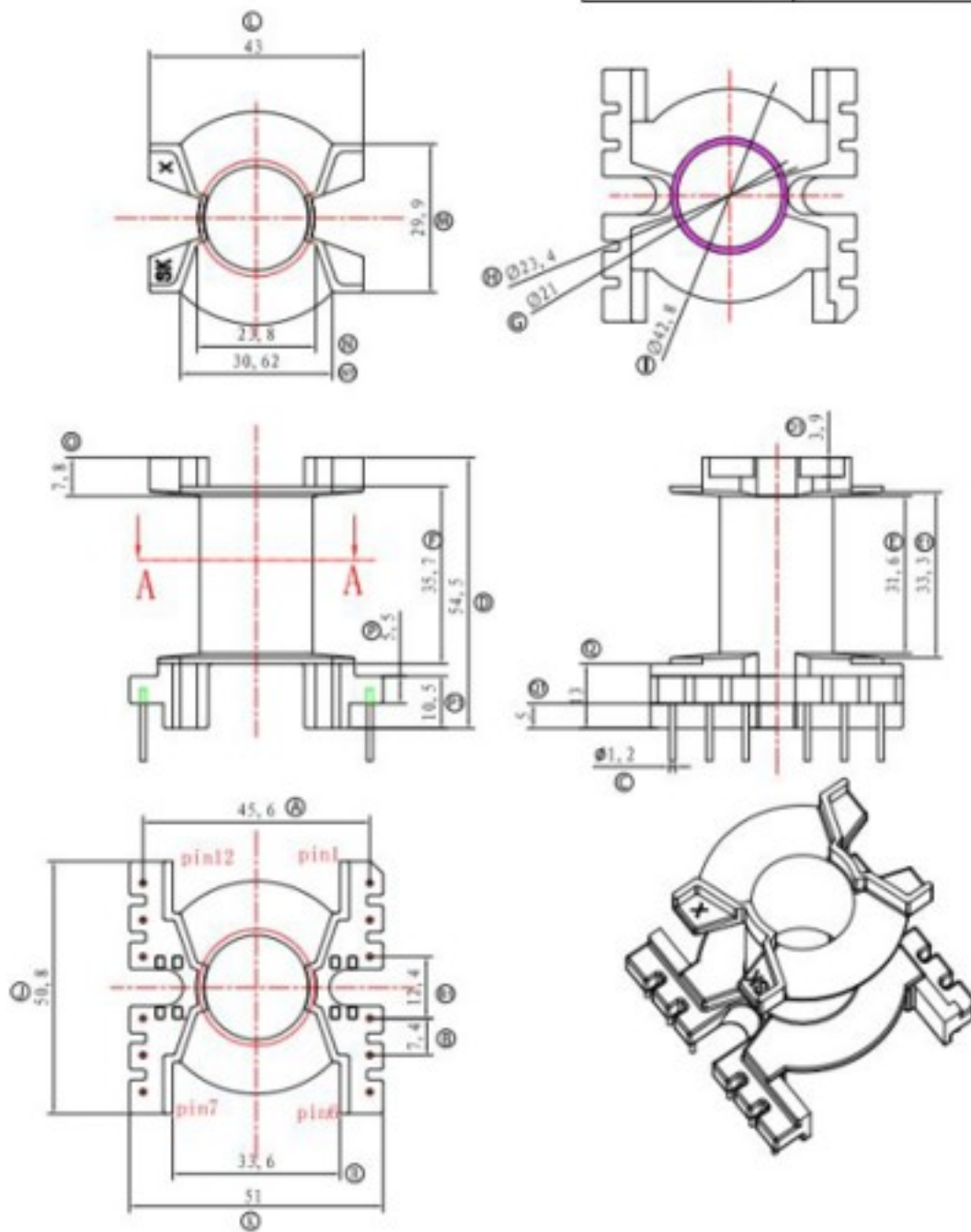
UNIT MM

DATE

2014.10.18

( TYPE)

057160501121001



### Self Electronic

MODEL

PQ50/50

6+6

MATERIAL

PHENOLIC

TEL

021-66745473  
021-66716806

TOLERANCE

SCALE

DRAW BY

FAX

021-66742368

0 &lt; L ≤ 4 ±0.1

4 &lt; L ≤ 16 ±0.2

16 &lt; L ≤ 63 ±0.3

Pin pitch ±0.2

4/1

CHECK BY

WEBSITE

selfelectronic.com

UNIT

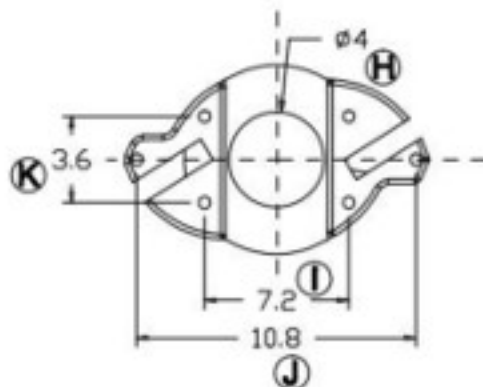
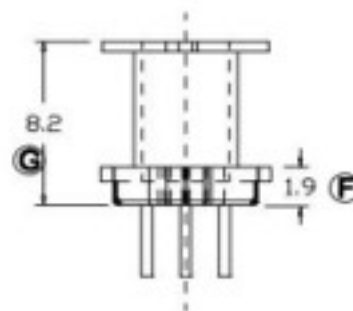
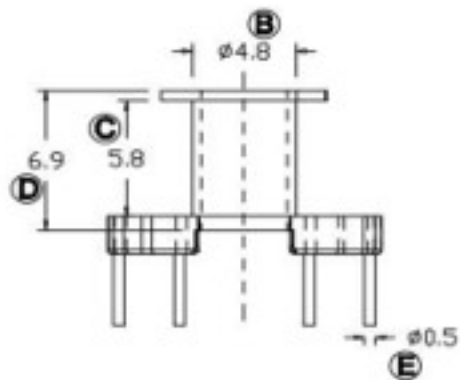
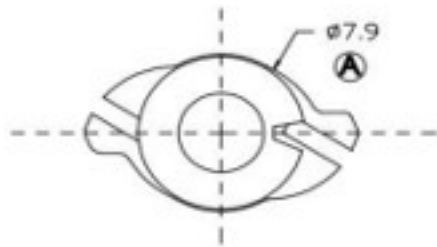
MM

DATE

2015.11.16

(TYPE)

031110041061001



### Self Electronic

MODEL

RM4

3+3

MATERIAL

PHENOLIC

TEL

021-66745473  
021-66716806

TOLERANCE

SCALE

DRAW BY

FAX

021-66742368

 $0 < L \leq 4 \quad \pm 0.1$   
 $4 < L \leq 16 \quad \pm 0.2$ 

4/1

CHECK BY

WEBSITE

selfelectronic.com

 $16 < L \leq 63 \quad \pm 0.3$   
 Pin pitch  $\pm 0.2$ 

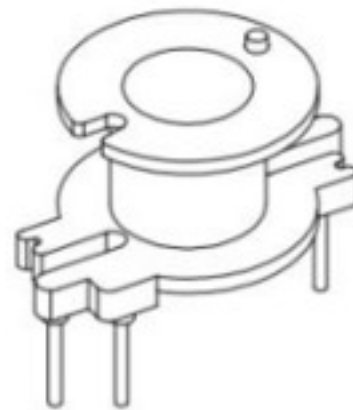
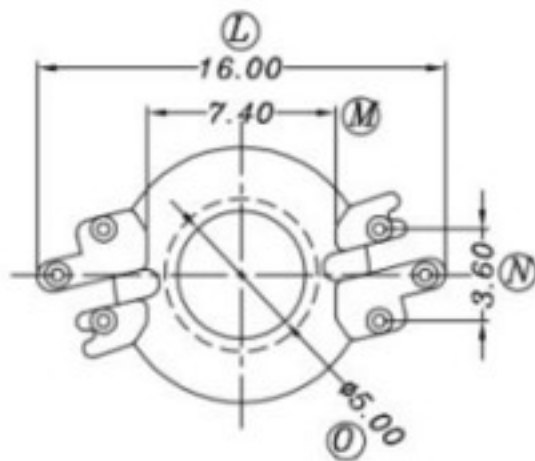
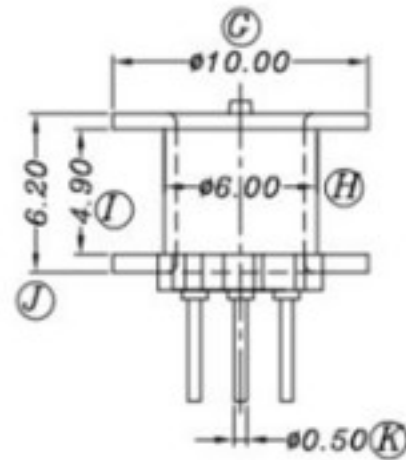
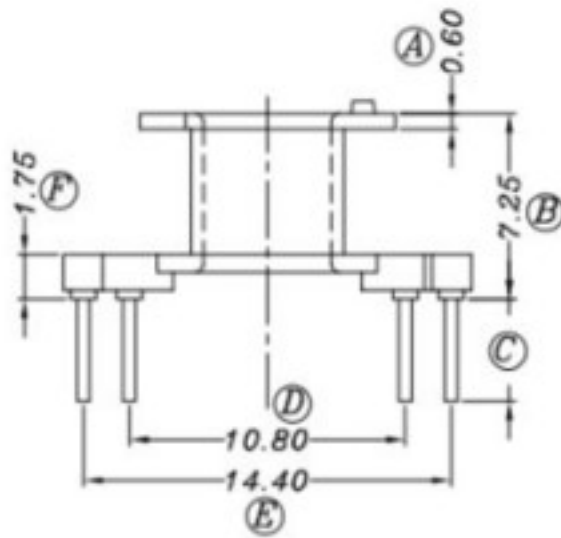
UNIT MM

DATE

2014.10.18

(TYPE)

010190051061001



### Self Electronic

MODEL

RM5

3+3

MATERIAL

PHENOLIC

TEL

021-66745473  
021-66716806

TOLERANCE

SCALE

DRAW BY

FAX

021-66742368

 $0 < L \leq 4 \quad \pm 0.1$   
 $4 < L \leq 16 \quad \pm 0.2$ 

4/1

CHECK BY

WEBSITE

selfelectronic.com

 $16 < L \leq 63 \quad \pm 0.3$   
 Pin pitch  $\pm 0.2$ 

UNIT

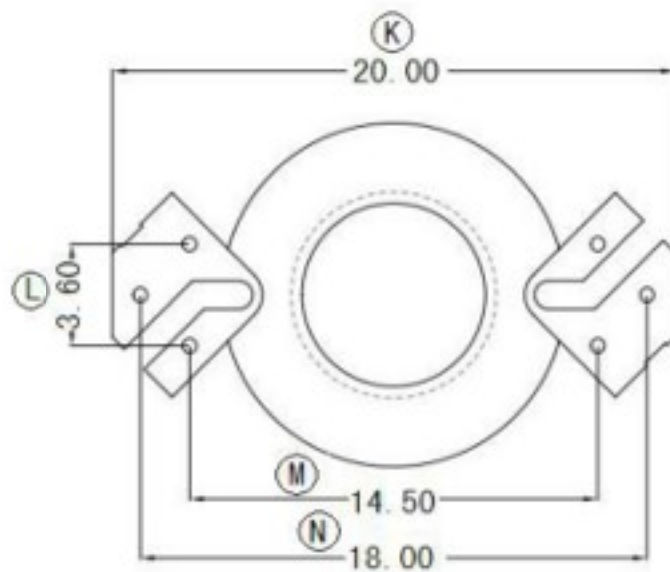
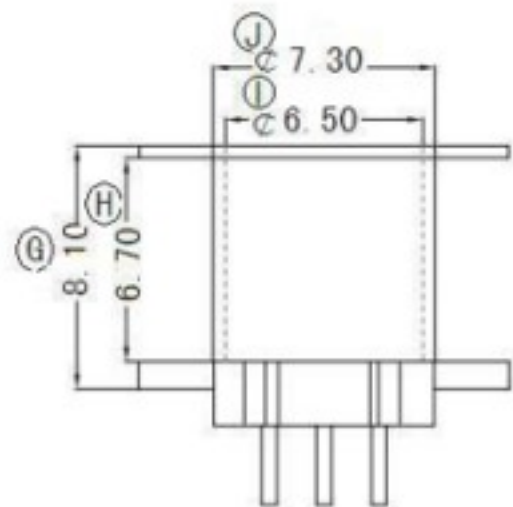
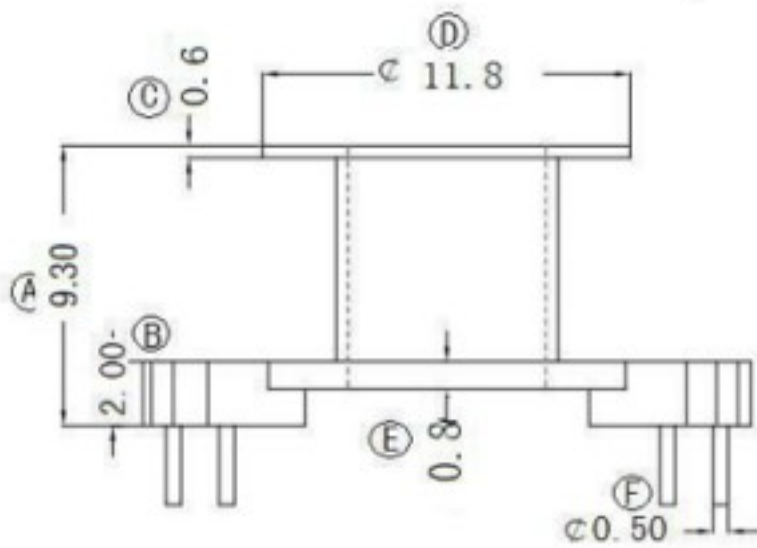
MM

DATE

2014.10.18

(TYPE)

029190061061001



### Self Electronic

MODEL

RM6

3+3

MATERIAL

PHENOLIC

TEL

021-66745473  
021-66716806

TOLERANCE

SCALE

DRAW BY

FAX

021-66742368

 $0 < L \leq 4 \quad \pm 0.1$   
 $4 < L \leq 16 \quad \pm 0.2$ 

4/1

CHECK BY

WEBSITE

selfelectronic.com

 $16 < L \leq 63 \quad \pm 0.3$   
 Pin pitch  $\pm 0.2$ 

UNIT

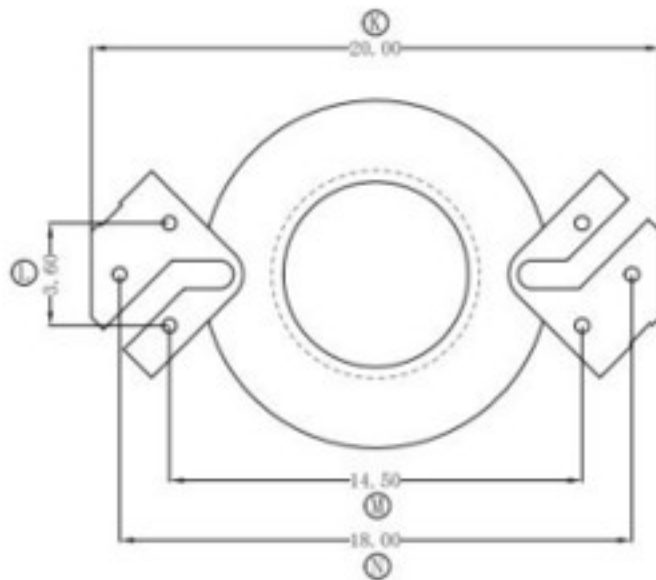
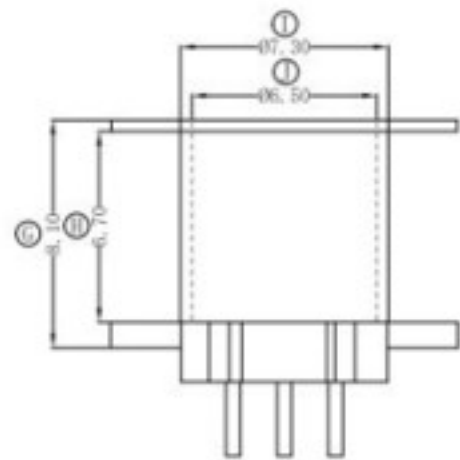
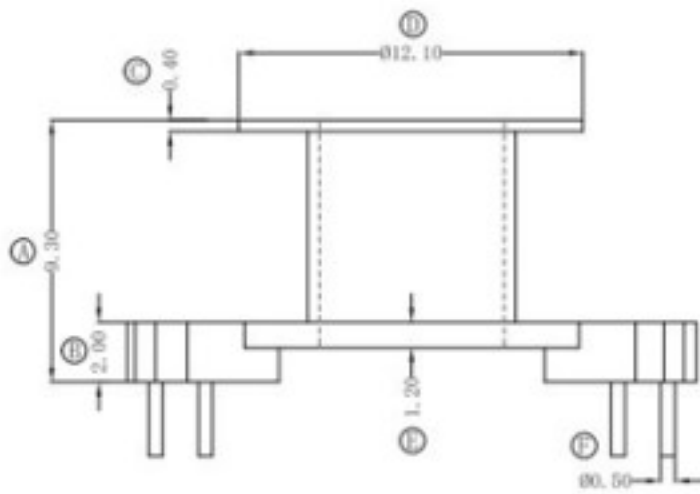
MM

DATE

2014.10.18

(TYPE)

006190061121001



**Self  
Electronic**

MODEL

RM6

3+3

MATERIAL

PHENOLIC

TEL

021-66745473  
021-66716806

TOLERANCE

SCALE

DRAW BY

FAX

021-66742368

 $0 < L \leq 4 \quad \pm 0.1$   
 $4 < L \leq 16 \quad \pm 0.2$ 

4/1

CHECK BY

WEBSITE

selfelectronic.com

 $16 < L \leq 63 \quad \pm 0.3$   
 Pin pitch  $\pm 0.2$ 

UNIT

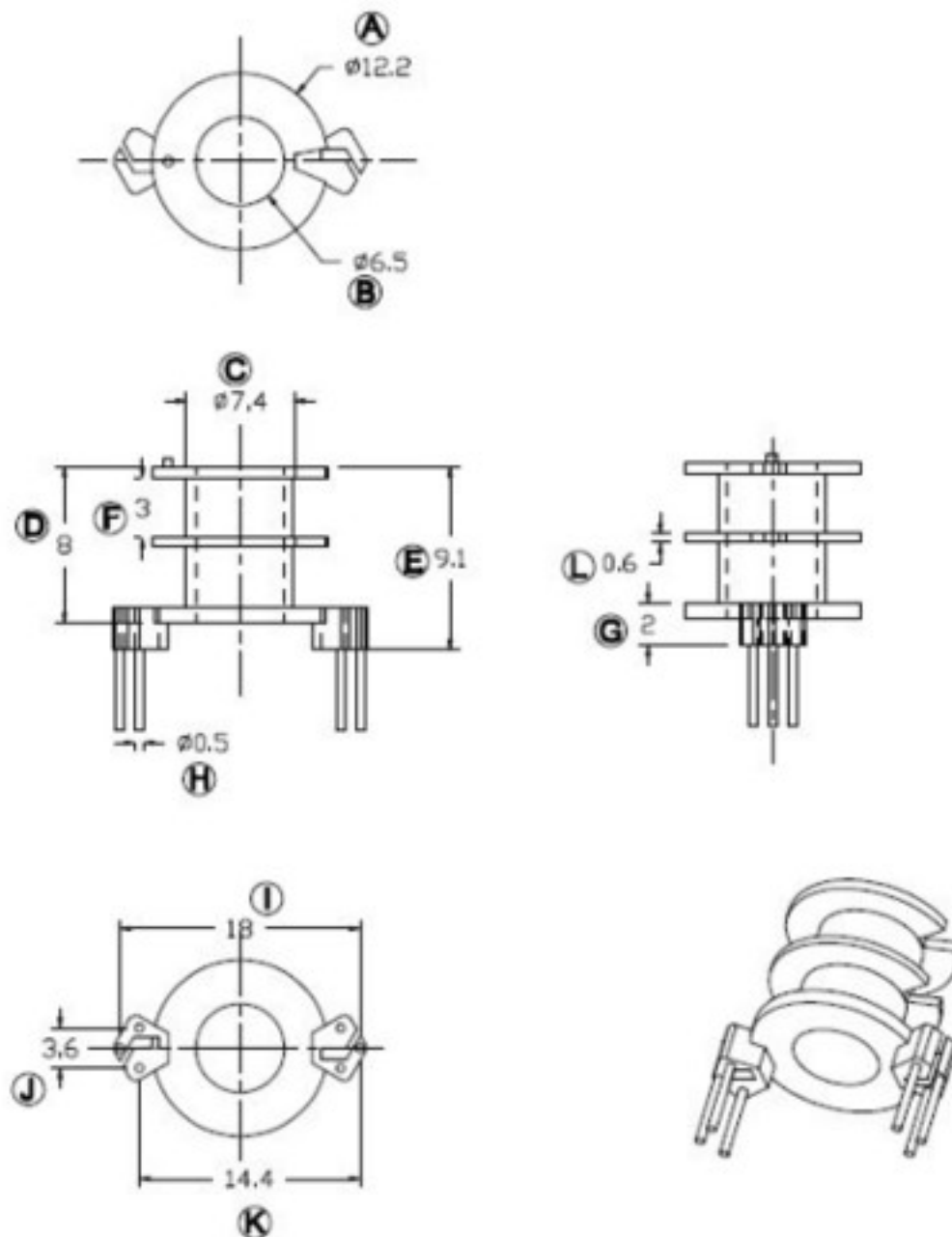
MM

DATE

2015.11.16

(TYPE)

031190061062101



### Self Electronic

MODEL

RM6

3+3

MATERIAL

PHENOLIC

TEL

021-66745473  
021-66716806

TOLERANCE

SCALE

DRAW BY

FAX

021-66742368

 $0 < L \leq 4 \quad \pm 0.1$   
 $4 < L \leq 16 \quad \pm 0.2$   
 $16 < L \leq 63 \quad \pm 0.3$ 

4/1

CHECK BY

WEBSITE

selfelectronic.com

Pin pitch  $\pm 0.2$ 

UNIT

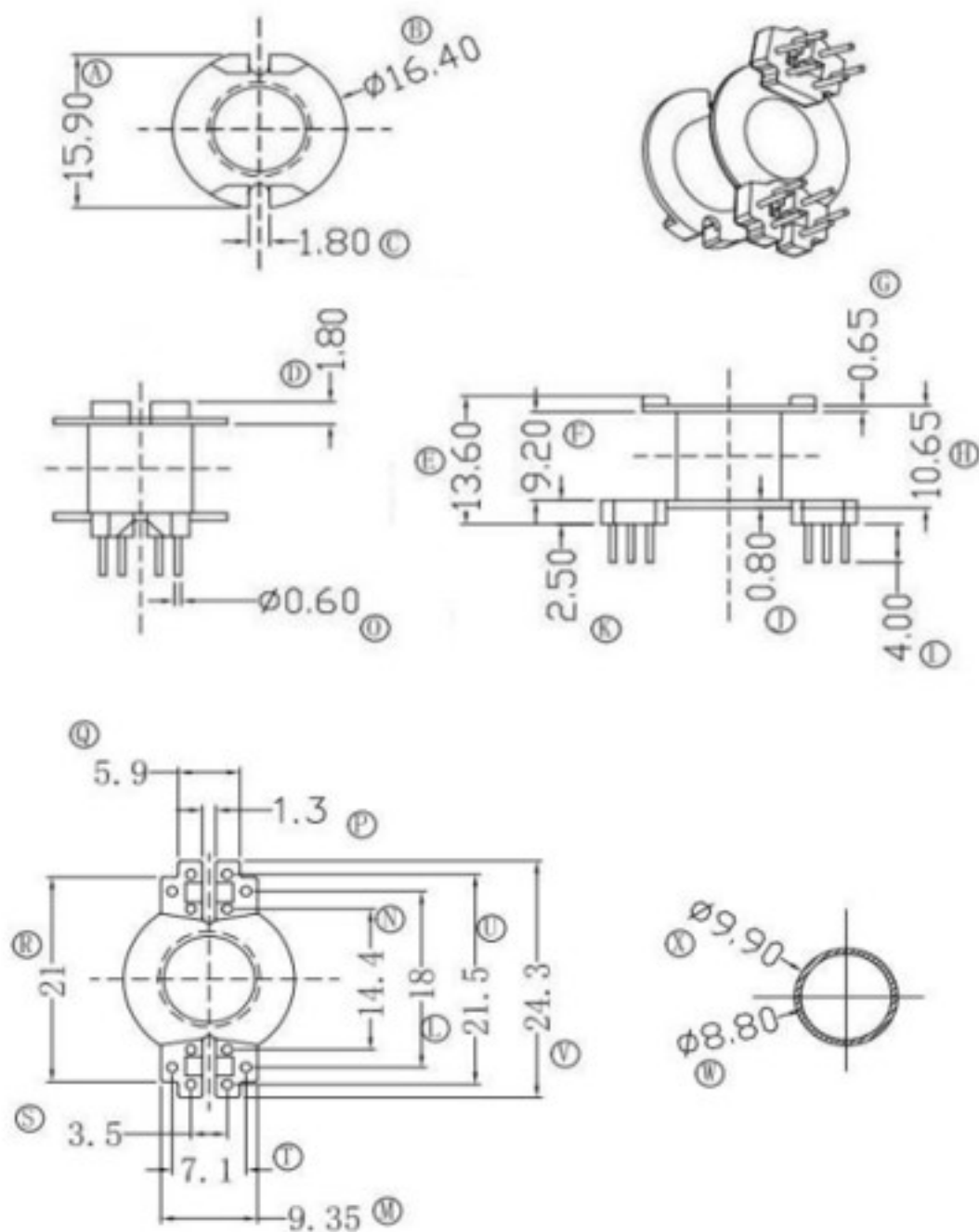
MM

DATE

2014.10.18

(TYPE)

006190081121001



**Self  
Electronic**

MODEL

RM8 6+6

MATERIAL

PHENOLIC

TEL

021-66745473  
021-66716806

TOLERANCE

SCALE

DRAW BY

FAX

021-66742368

 $0 < L \leq 4 \quad \pm 0.1$   
 $4 < L \leq 16 \quad \pm 0.2$   
 $16 < L \leq 63 \quad \pm 0.3$ 

4/1

CHECK BY

WEBSITE

selfelectronic.com

Pin pitch  $\pm 0.2$ 

UNIT

MM

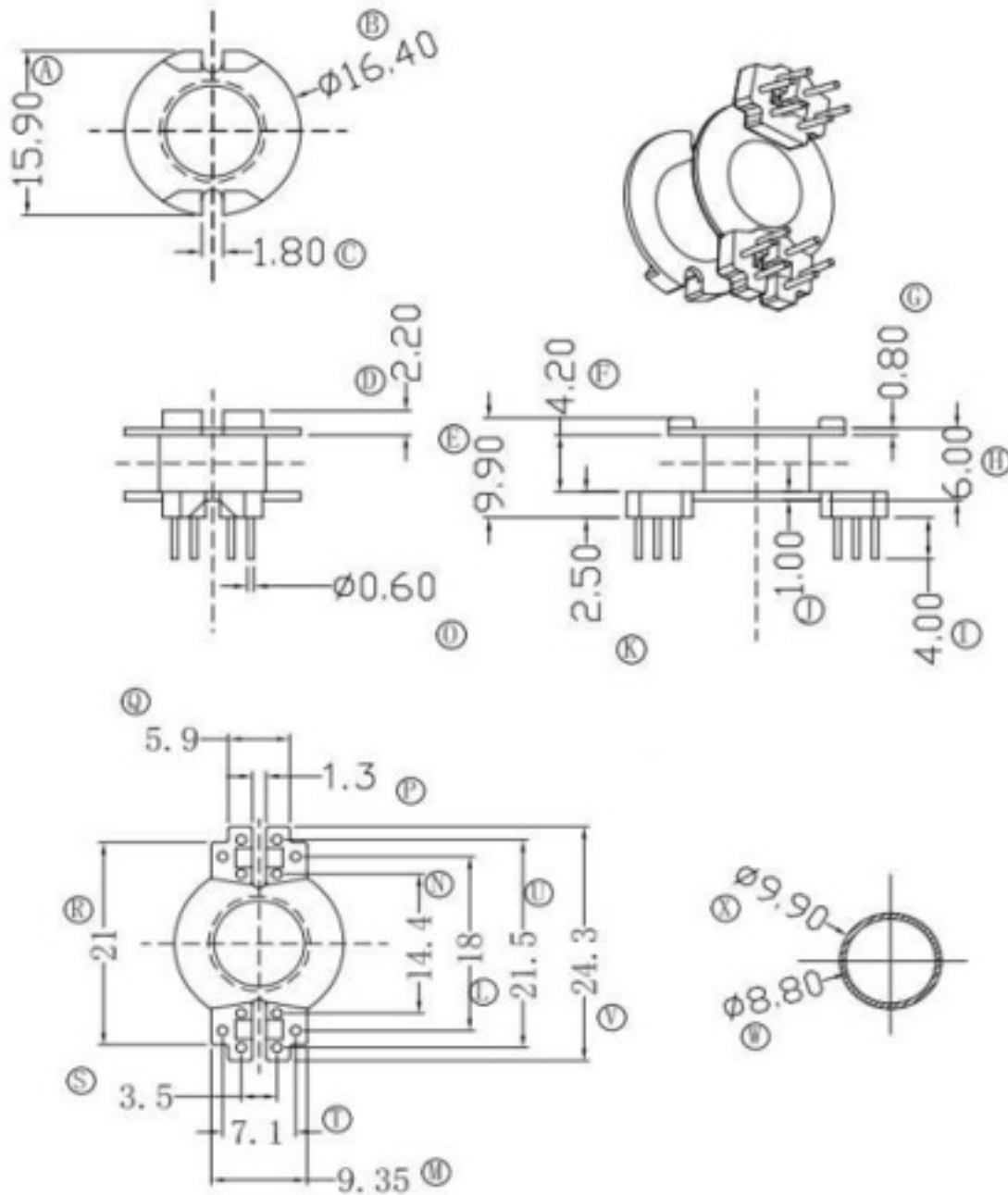
DATE

2014.10.18



(TYPE)

006190081121002



### Self Electronic

MODEL

RM8 6+6

MATERIAL

PHENOLIC

TEL

021-66745473  
021-66716806

TOLERANCE

 $0 < L \leq 4 \quad \pm 0.1$   
 $4 < L \leq 16 \quad \pm 0.2$   
 $16 < L \leq 63 \quad \pm 0.3$   
 Pin pitch  $\pm 0.2$ 

SCALE

DRAW BY

FAX

021-66742368

4/1

CHECK BY

WEBSITE

selfelectronic.com

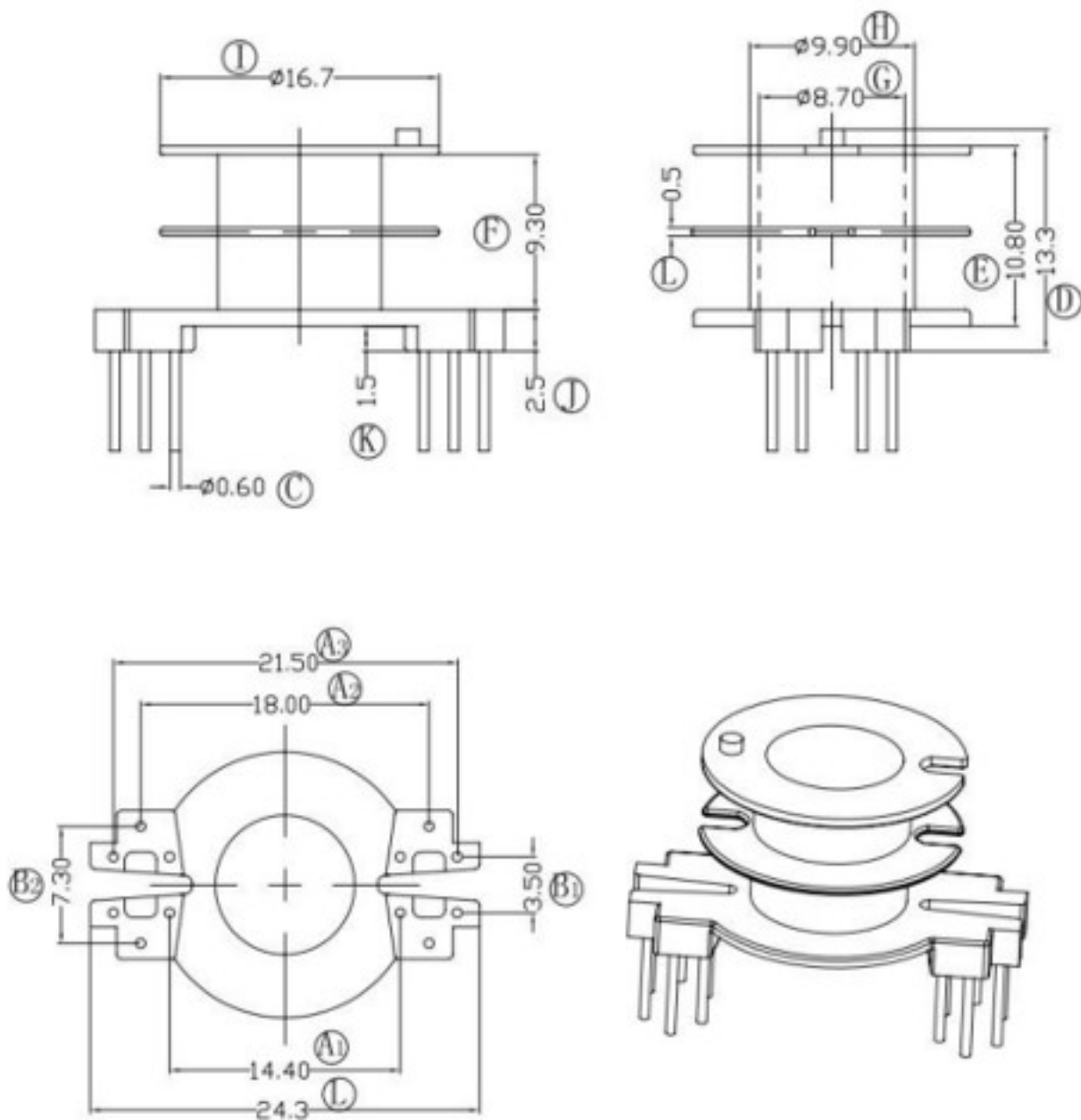
UNIT MM

DATE

2011.11.03

(TYPE)

005190081122001



### Self Electronic

MODEL

RM8

6+6

MATERIA

PHENOLIC

TEL

021-66745473  
021-66716806

TOLERANCE

SCALE

DRAW BY

FAX

021-66742368

0 &lt; L ≤ 4 ±0.1

4 &lt; L ≤ 16 ±0.2

16 &lt; L ≤ 63 ±0.3

Pin pitch ±0.2

4/1

CHECK BY

WEBSITE

selfelectronic.com

UNIT

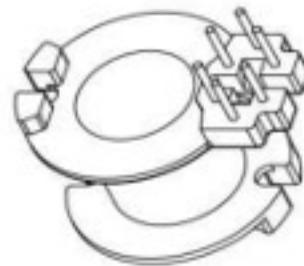
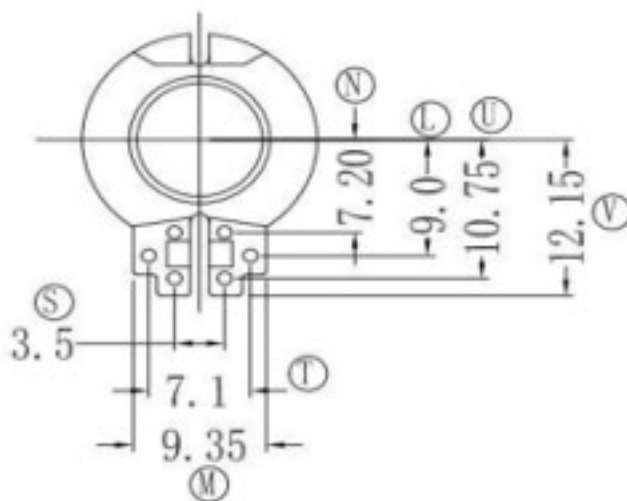
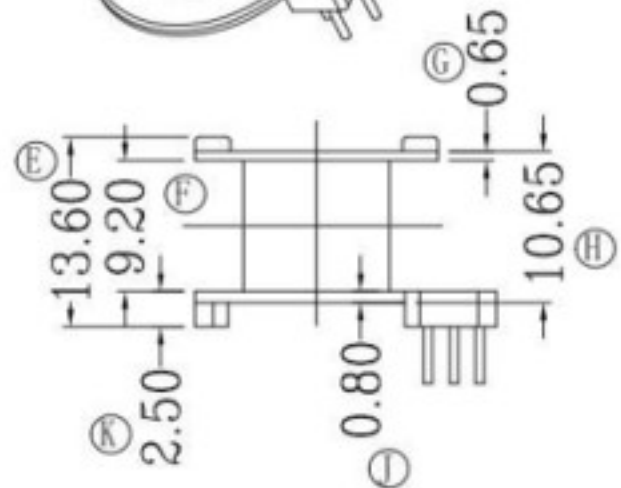
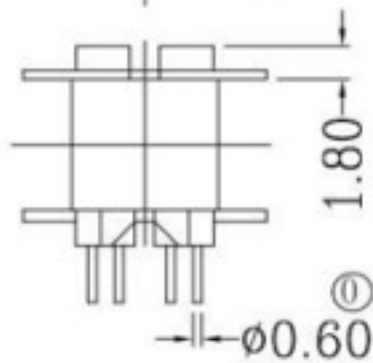
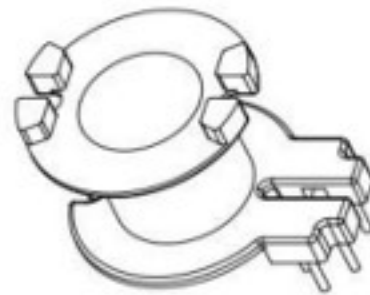
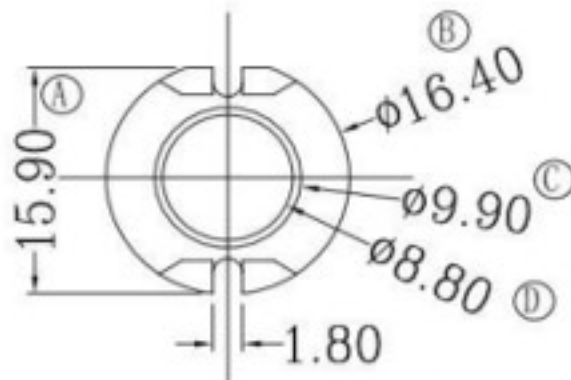
MM

DATE

2014.10.18

(TYPE)

006190081061101



### Self Electronic

MODEL

RM8

MATERIAL

PHENOLIC

TEL

021-66745473  
021-66716806

TOLERANCE

SCALE

DRAW BY

FAX

021-66742368

 $0 < L \leq 4 \quad \pm 0.1$   
 $4 < L \leq 16 \quad \pm 0.2$   
 $16 < L \leq 63 \quad \pm 0.3$ 

4/1

CHECK BY

WEBSITE

selfelectronic.com

Pin pitch  $\pm 0.2$ 

UNIT

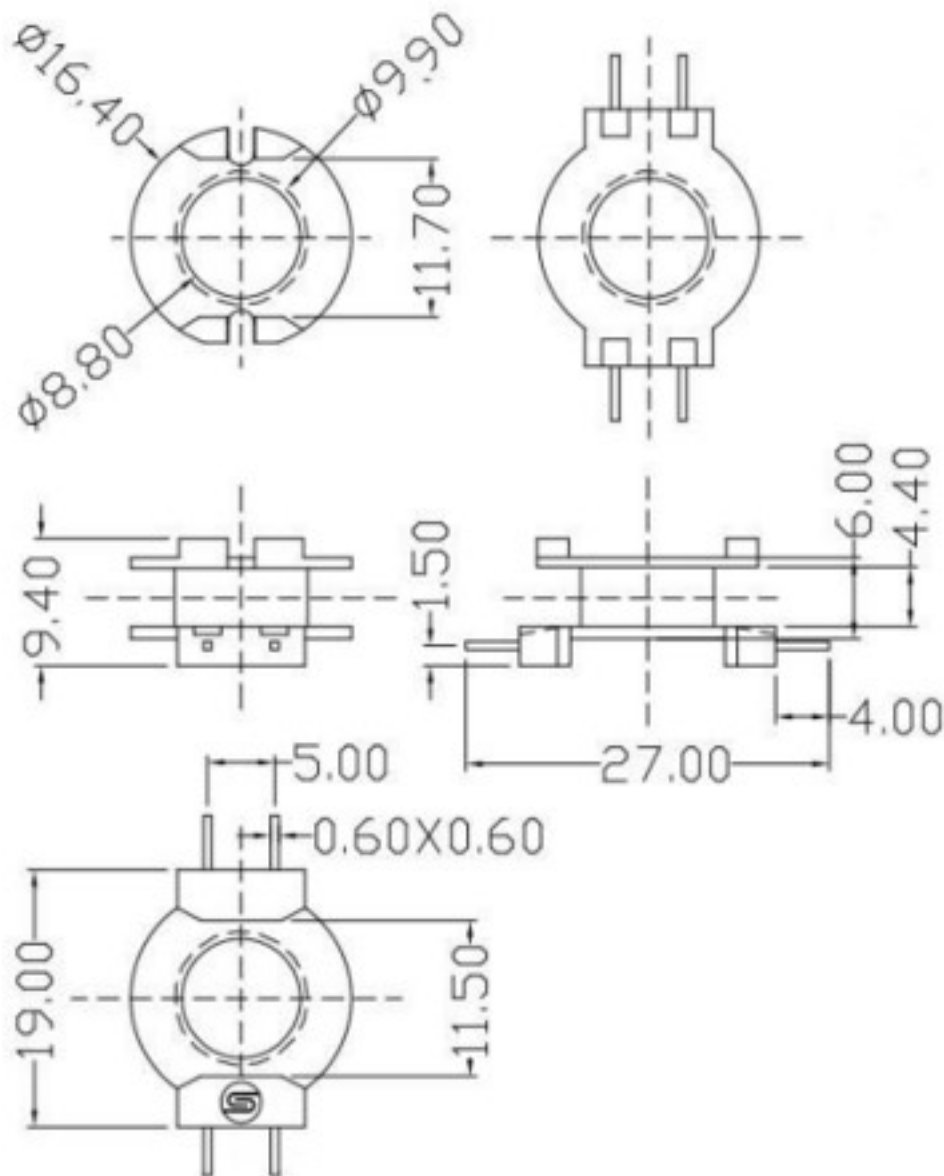
MM

DATE

2014.10.18

(TYPE)

006190081041101



### Self Electronic

MODEL

RM8

MATERIAL

PHENOLIC

TEL

021-66745473  
021-66716806

TOLERANCE

SCALE

DRAW BY

FAX

021-66742368

 $0 < L \leq 4$   $\pm 0.1$  $4 < L \leq 16$   $\pm 0.2$  $16 < L \leq 63$   $\pm 0.3$ Pin pitch  $\pm 0.2$ 

4/1

CHECK BY

WEBSITE

selfelectronic.com

UNIT

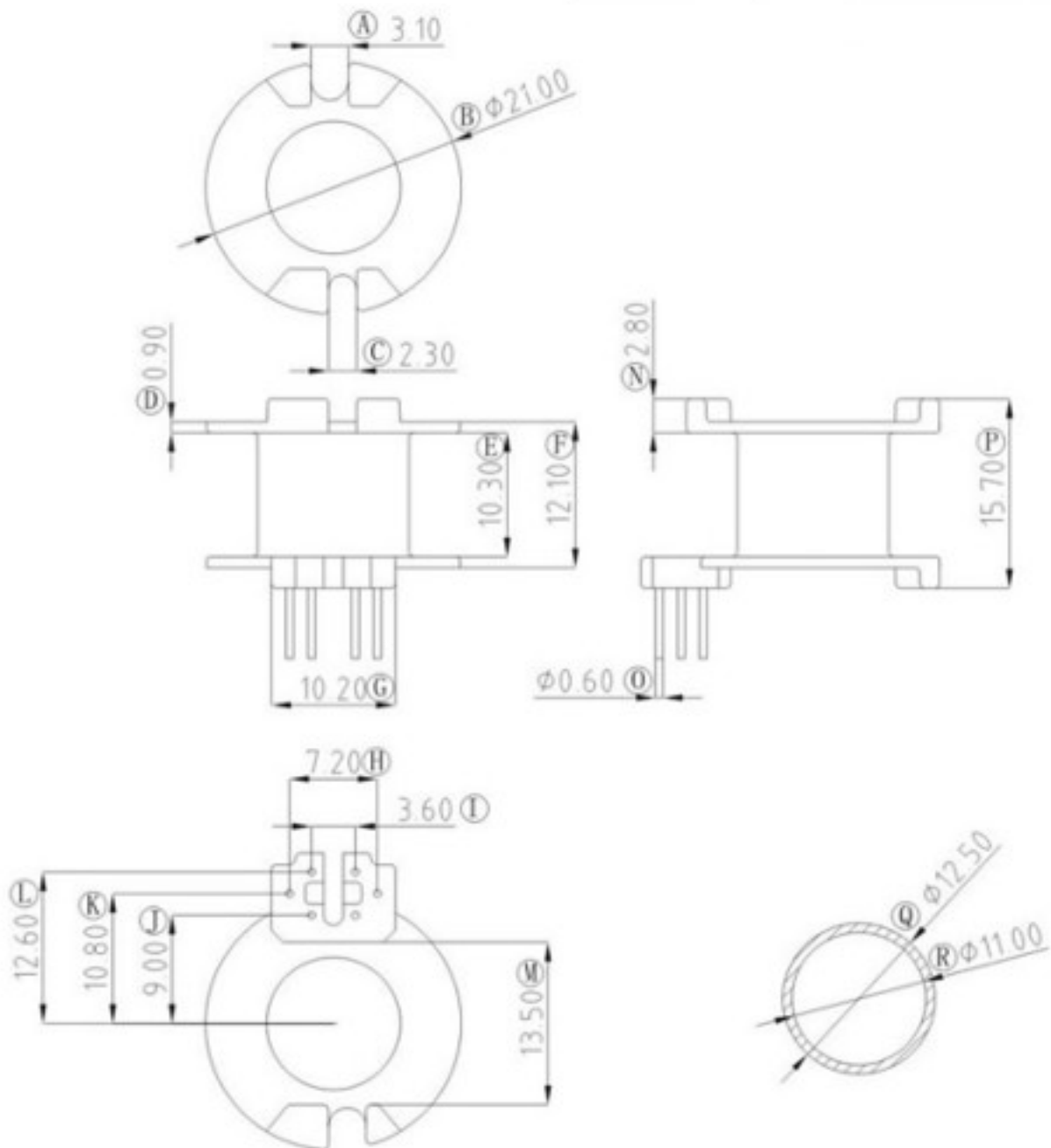
MM

DATE

2014.10.18

(TYPE)

010190101061001



**Self  
Electronic**

MODEL

RM10 6+0

MATERIAL

PHENOLIC

TEL

021-66745473  
021-66716806

TOLERANCE

SCALE

DRAW BY

FAX

021-66742368

 $0 < L \leq 4 \quad \pm 0.1$   
 $4 < L \leq 16 \quad \pm 0.2$   
 $16 < L \leq 63 \quad \pm 0.3$ 

4/1

CHECK BY

WEBSITE

selfelectronic.com

Pin pitch  $\pm 0.2$ 

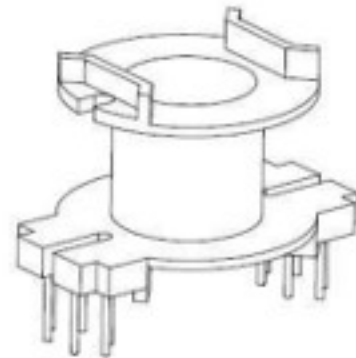
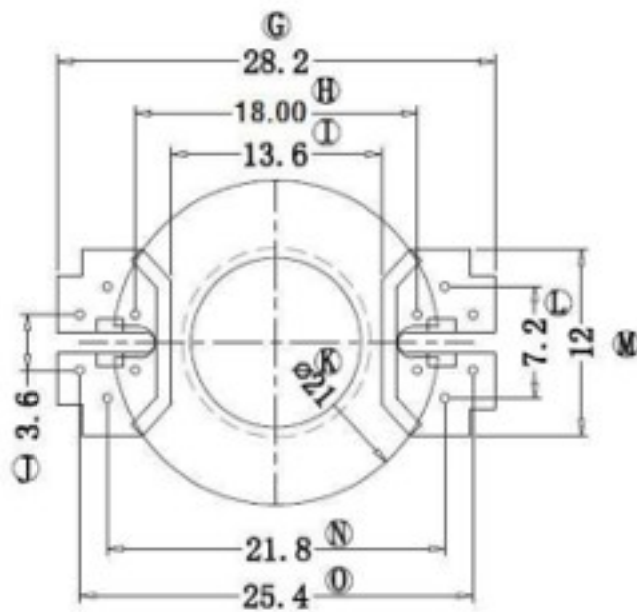
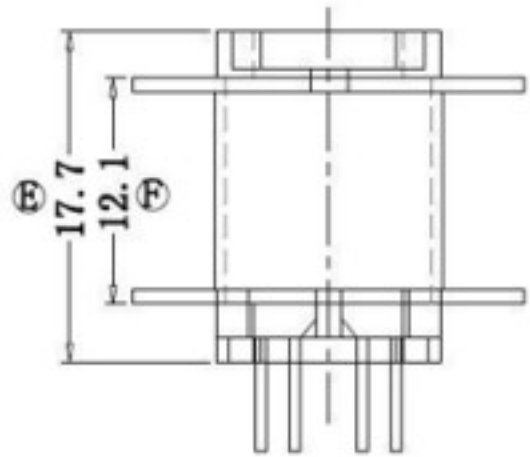
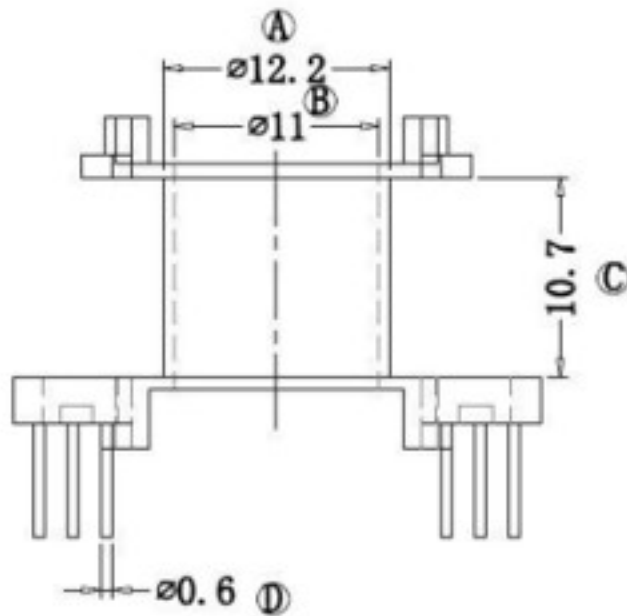
UNIT

MM

DATE

2014.10.18

(TYPE) 031190101121001



**Self  
Electronic**

MODEL RM10 6+6(9820)

MATERIAL PHENOLIC

TEL 021-66745473  
021-66716806

TOLERANCE

SCALE DRAW BY

FAX 021-66742368

$0 < L \leq 4$   $\pm 0.1$   
 $4 < L \leq 16$   $\pm 0.2$

4/1 CHECK BY

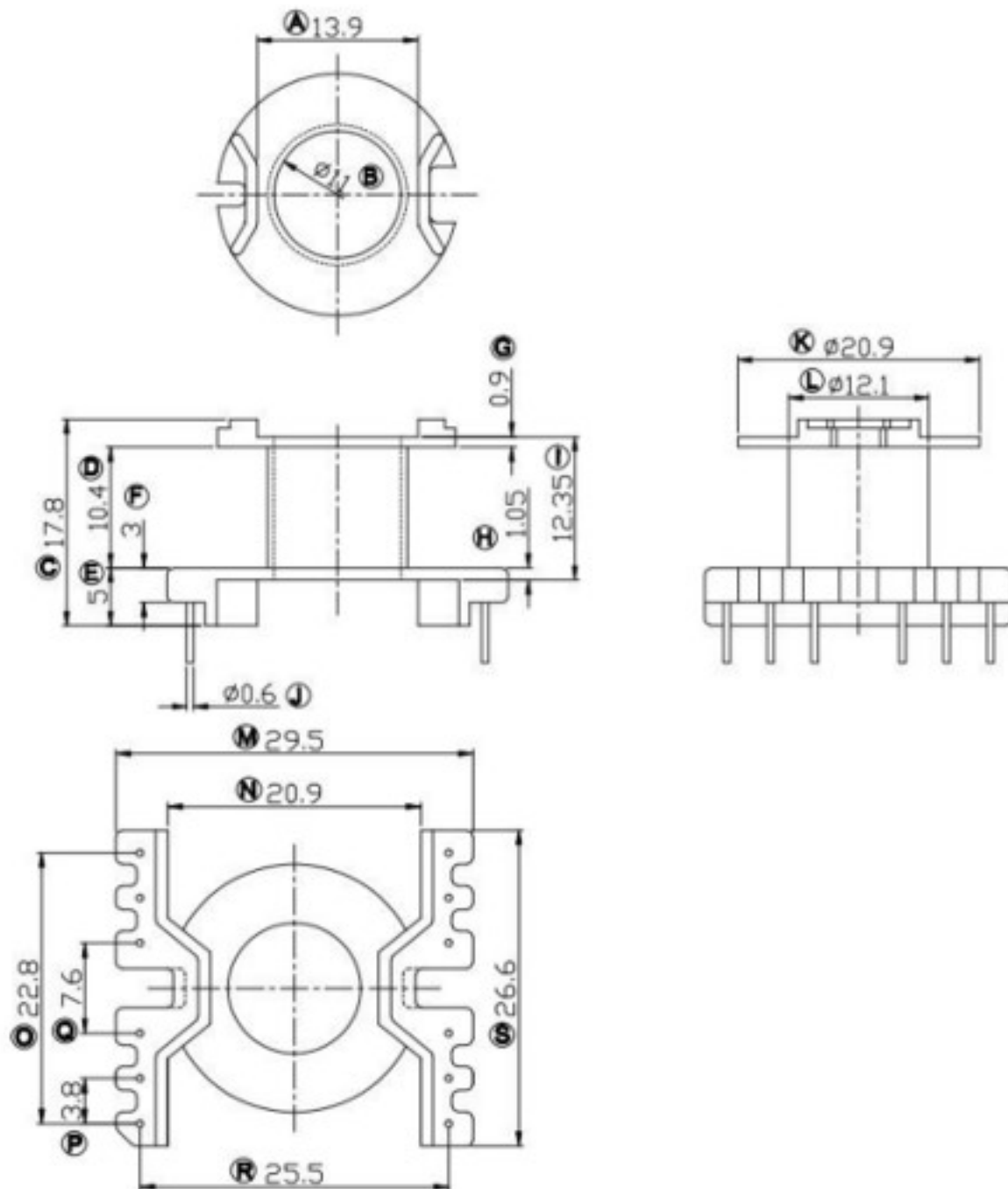
WEBSITE selfelectronic.com

$16 < L \leq 63$   $\pm 0.3$   
Pin pitch  $\pm 0.2$

UNIT MM DATE 2014.10.18

(TYPE)

031190101121101



### Self Electronic

MODEL

RM10 6+6

MATERIAL

PHENOLIC

TEL

021-66745473  
021-66716806

TOLERANCE

SCALE

DRAW BY

FAX

021-66742368

0 &lt; L ≤ 4 ±0.1

4 &lt; L ≤ 16 ±0.2

16 &lt; L ≤ 63 ±0.3

Pin pitch ±0.2

4/1

CHECK BY

WEBSITE

selfelectronic.com

UNIT

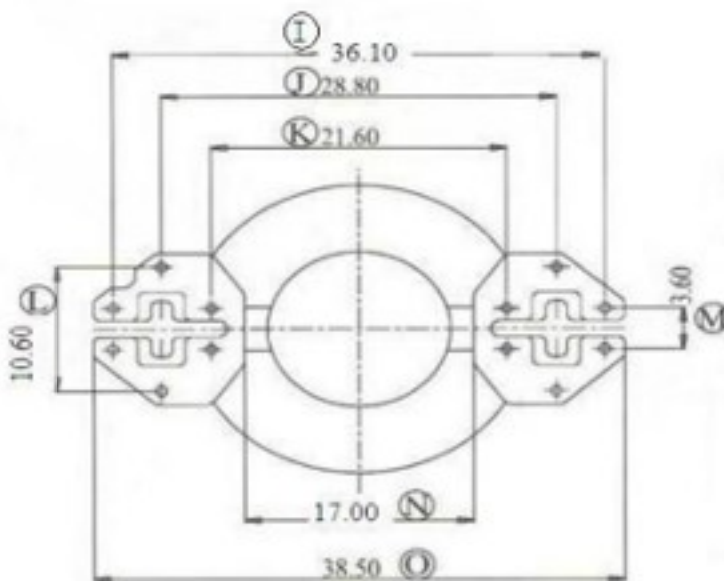
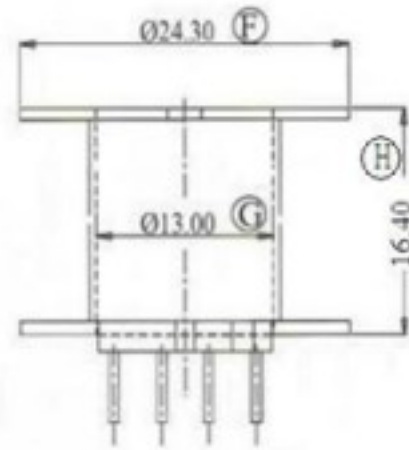
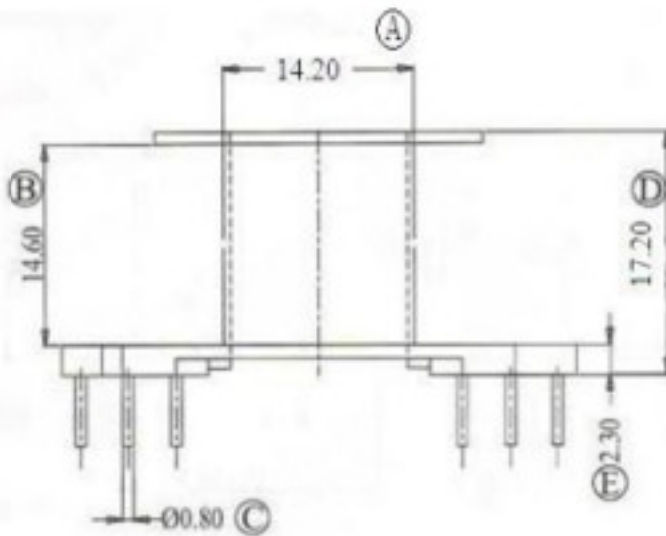
MM

DATE

2014.10.18

(TYPE)

011190121121001



### Self Electronic

MODEL

RM12 6+6

MATERIAL

PHENOLIC

TEL

021-66745473  
021-66716806

TOLERANCE

SCALE

DRAW BY

FAX

021-66742368

0 &lt; L ≤ 4 ±0.1

4 &lt; L ≤ 16 ±0.2

16 &lt; L ≤ 63 ±0.3

Pin pitch ±0.2

4/1

CHECK BY

WEBSITE

selfelectronic.com

UNIT MM

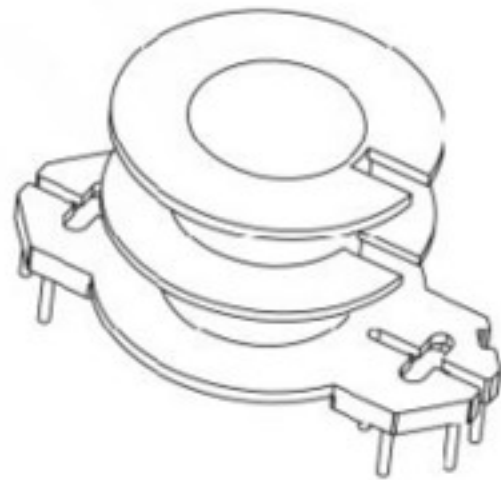
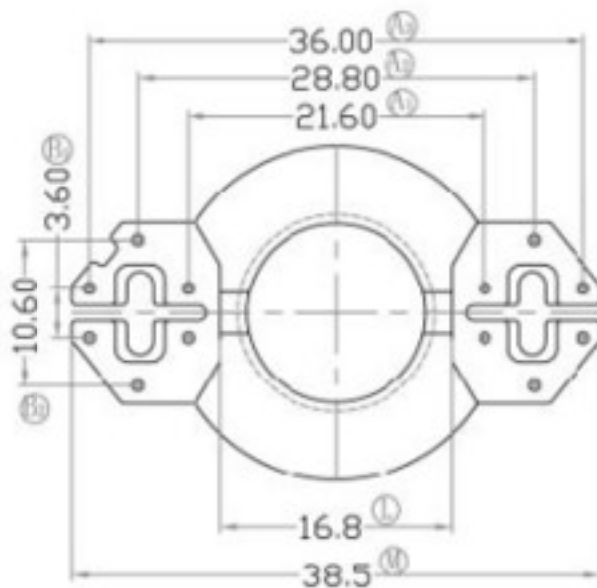
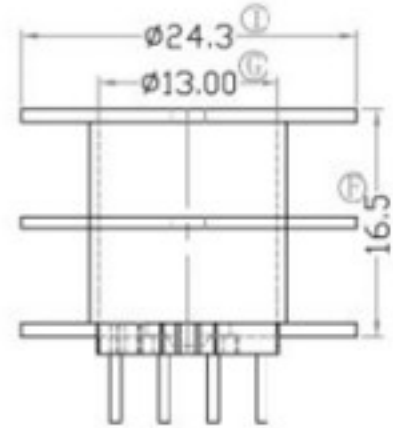
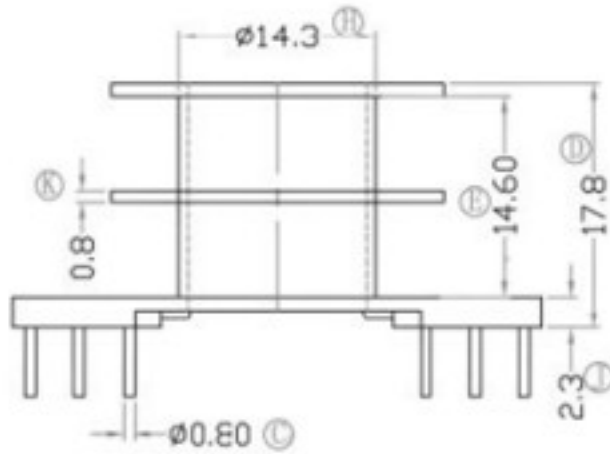
DATE

2014.10.18



(TYPE)

005190121122001



**Self  
Electronic**

MODEL

RM12

6+6

MATERIAL

PHENOLIC

TEL

021-66745473  
021-66716806

TOLERANCE

SCALE

DRAW BY

FAX

021-66742368

 $0 < L \leq 4$   $\pm 0.1$  $4 < L \leq 16$   $\pm 0.2$  $16 < L \leq 63$   $\pm 0.3$ Pin pitch  $38 \pm 0.2$ 

4/1

CHECK BY

WEBSITE

selfelectronic.com

UNIT

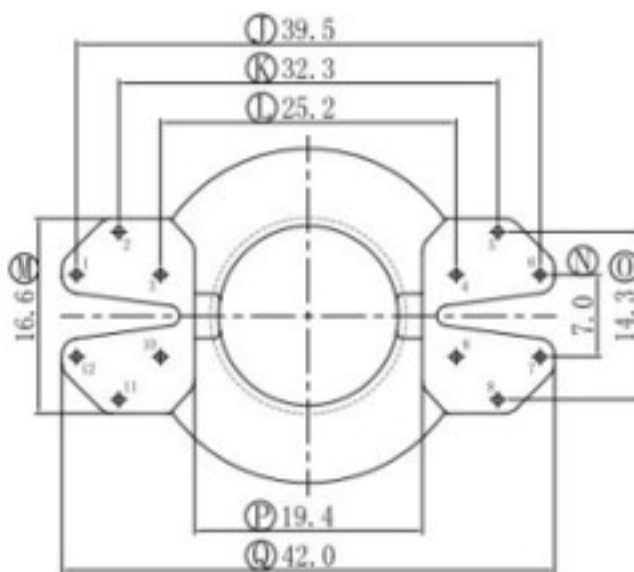
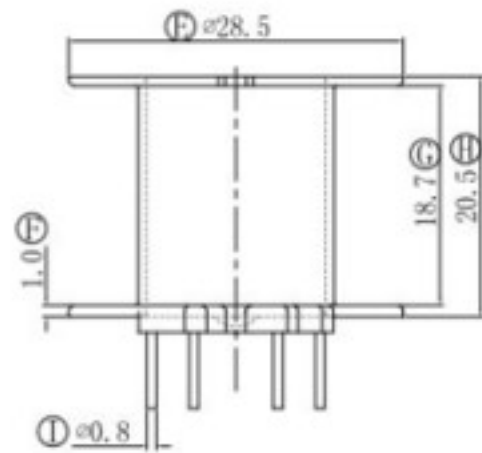
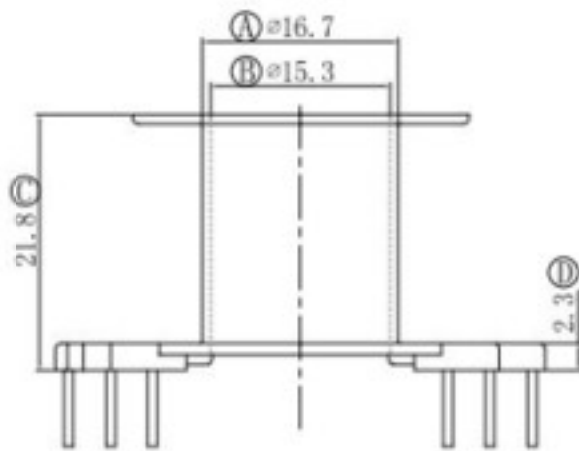
MM

DATE

2015.11.14

(TYPE)

011190141121001



**Self  
Electronic**

MODEL

RM14 6+6

MATERIAL

PHENOLIC

TEL

021-66745473  
021-66716806

TOLERANCE

SCALE

DRAW BY

FAX

021-66742368

0 &lt; L 6: ±0.1

6 &lt; L 20: ±0.2

20 &lt; L 50: ±0.3

50 &lt; L : ±0.4

4/1

CHECK BY

WEBSITE

selfelectronic.com

UNIT

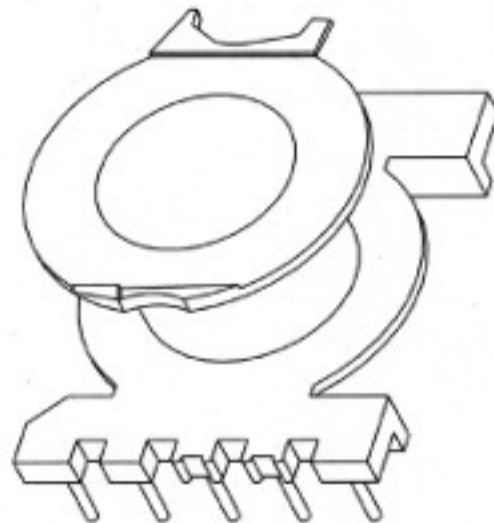
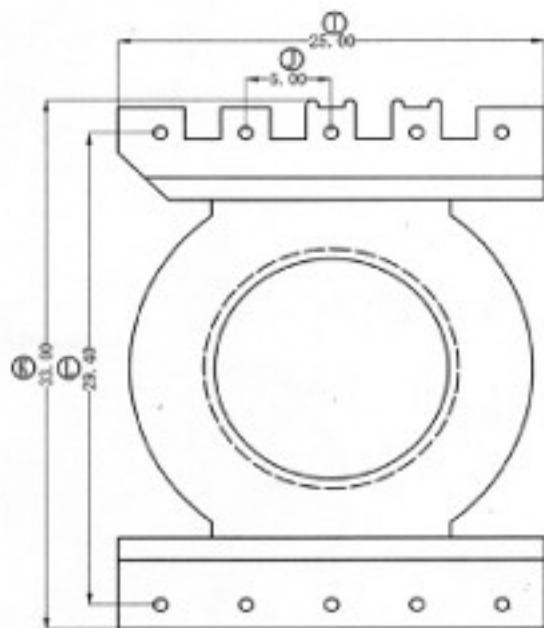
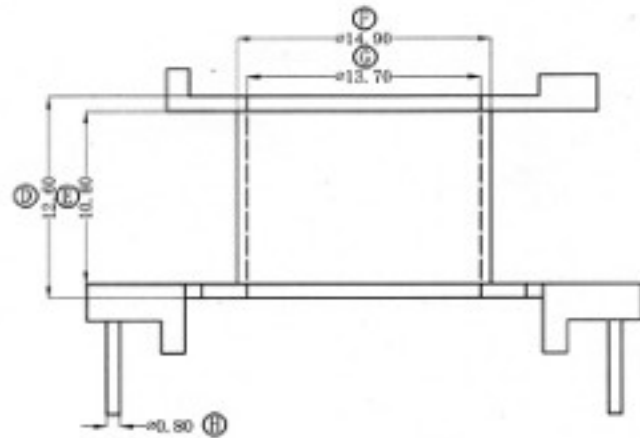
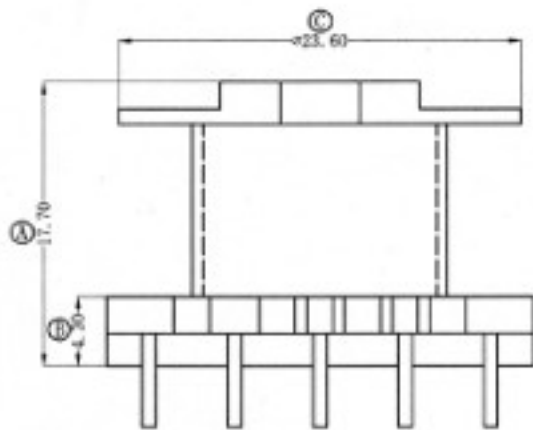
MM

DATE

2014.10.18

(TYPE)

006180301101001



**Self  
Electronic**

MODEL

POT30/19 5+5

MATERIAL

PHENOLIC

TEL

021-66745473  
021-66716806

TOLERANCE

SCALE

DRAW BY

FAX

021-66742368

0 &lt; L ≤ 4 ±0.1

4 &lt; L ≤ 16 ±0.2

16 &lt; L ≤ 63 ±0.3

Pin pitch ±0.2

4/1

CHECK BY

WEBSITE

selfelectronic.com

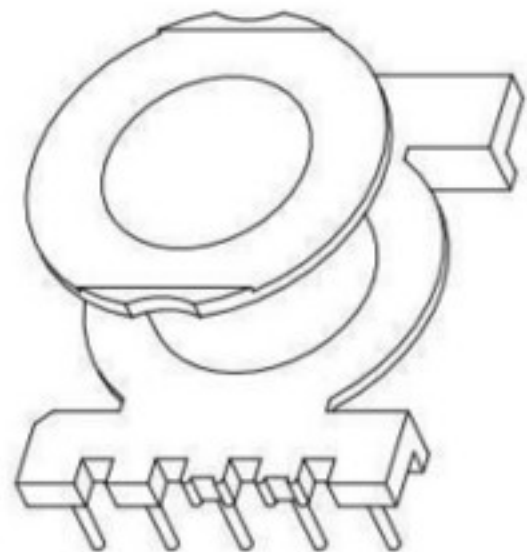
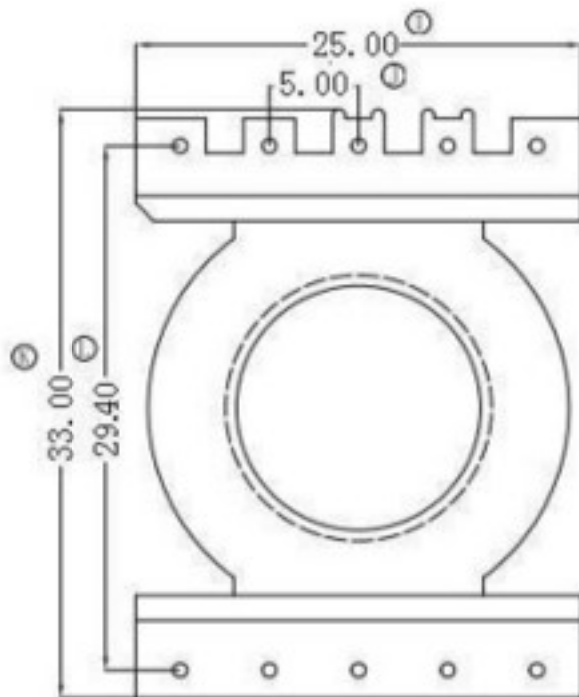
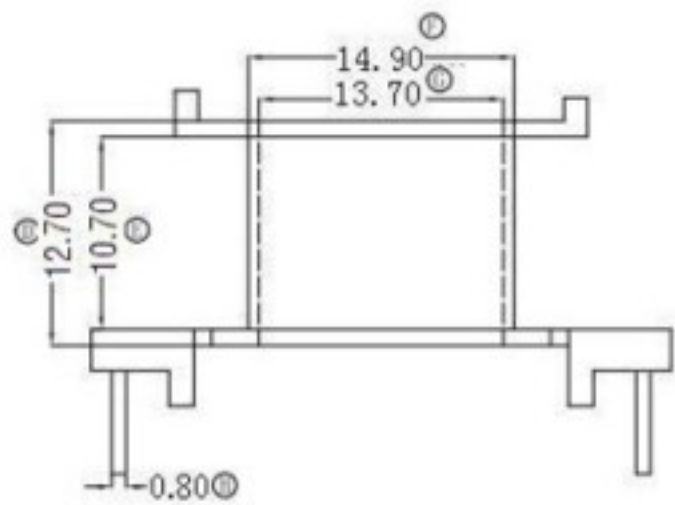
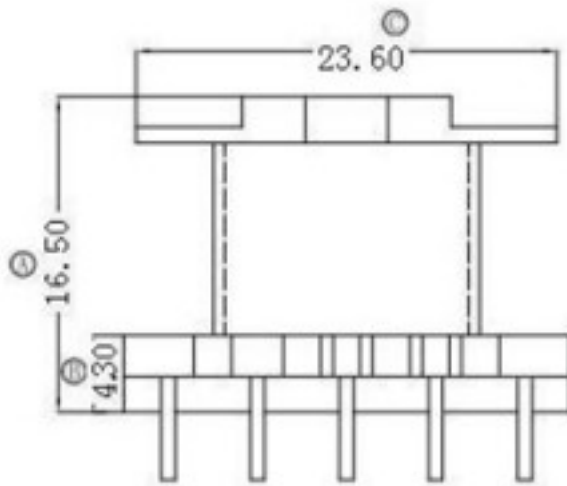
UNIT

MM

DATE

2014.10.18

(TYPE) 006180301101002



### Self Electronic

MODEL

POT30/19 5+5

MATERIAL

PHENOLIC

TEL

021-66745473  
021-66716806

TOLERANCE

SCALE

DRAW BY

FAX

021-66742368

 $0 < L \leq 4 \quad \pm 0.1$   
 $4 < L \leq 16 \quad \pm 0.2$   
 $16 < L \leq 63 \quad \pm 0.3$ 

4/1

CHECK BY

WEBSITE

selfelectronic.com

Pin pitch  $\pm 0.2$ 

UNIT

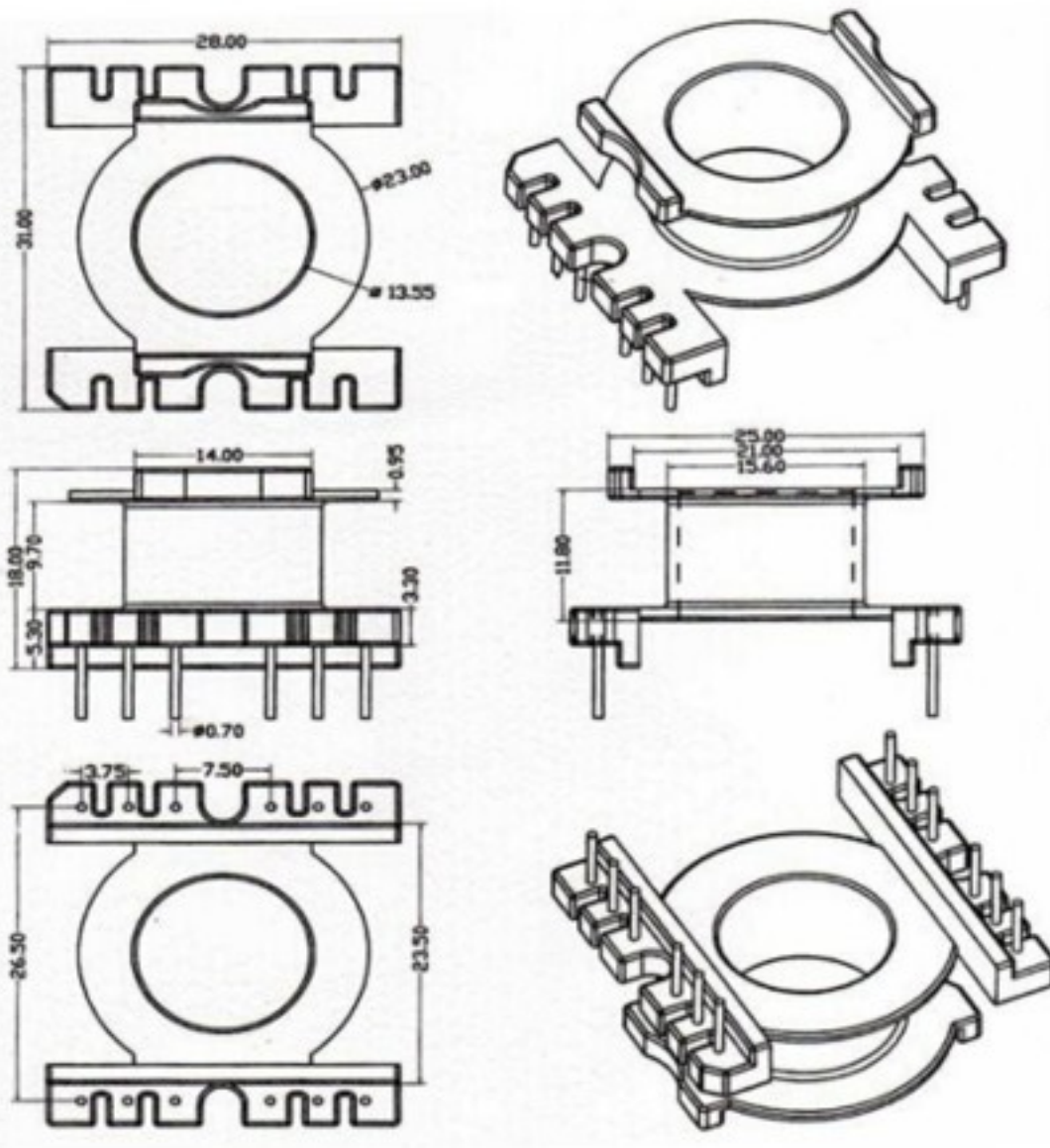
MM

DATE

2014.10.18

(TYPE)

010180301121001



**Self  
Electronic**

MODEL

POT30/19

6+6

MATERIAL

PHENOLIC

TEL

021-66745473  
021-66716806

TOLERANCE

SCALE

DRAW BY

FAX

021-66742368

 $0 < L \leq 4 \quad \pm 0.1$   
 $4 < L \leq 16 \quad \pm 0.2$   
 $16 < L \leq 63 \quad \pm 0.3$ 

4/1

CHECK BY

WEBSITE

selfelectronic.com

Pin pitch  $\pm 0.2$ 

UNIT

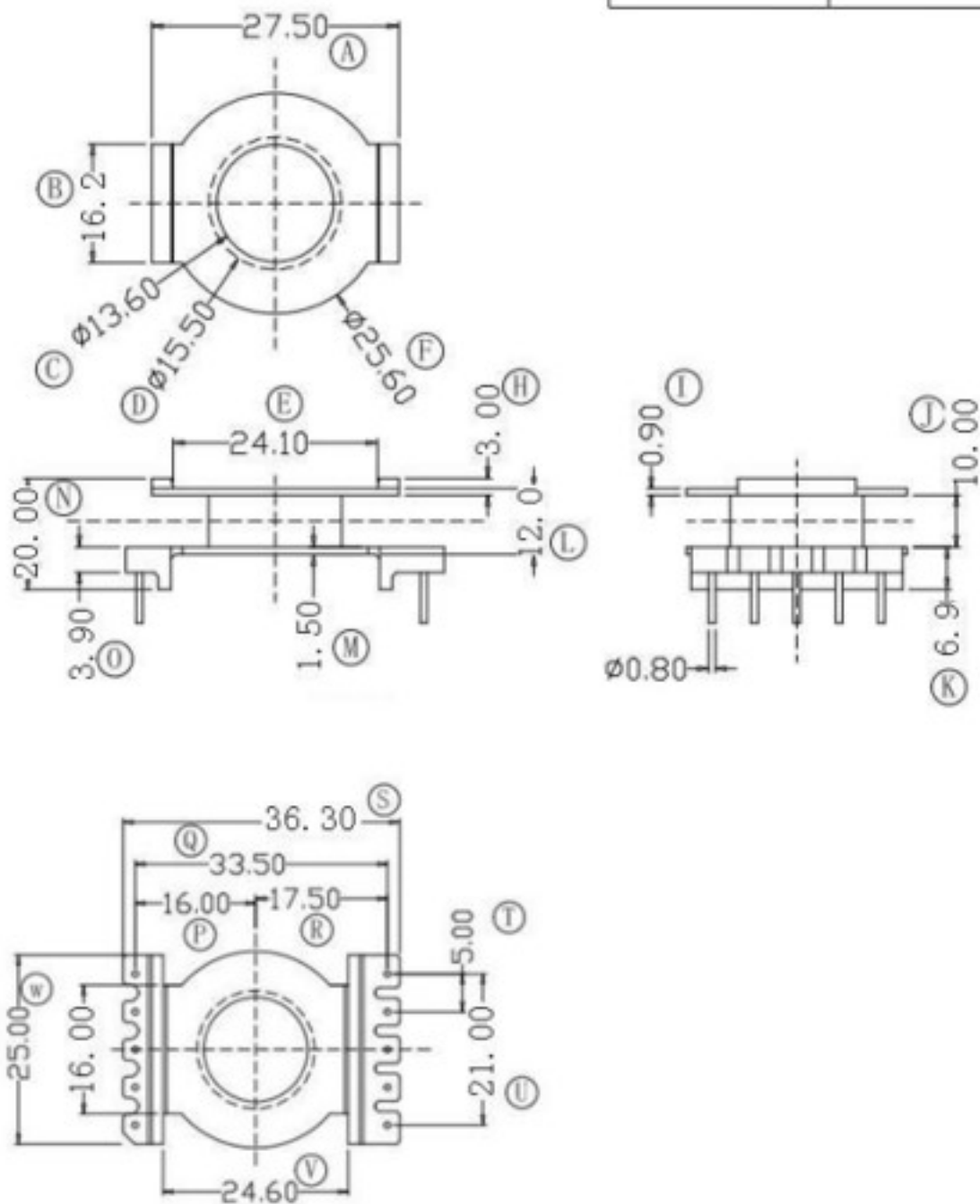
MM

DATE

2014.10.18

(TYPE)

005180331101001



### Self Electronic

MODEL

POT33/19

5+5

MATERIAL

PHENOLIC

TEL

021-66745473  
021-66716806

TOLERANCE

SCALE

DRAW BY

FAX

021-66742368

0 &lt; L ≤ 4 ±0.1

4 &lt; L ≤ 16 ±0.2

16 &lt; L ≤ 63 ±0.3

Pin pitch ±0.2

4/1

CHECK BY

WEBSITE

selfelectronic.com

UNIT

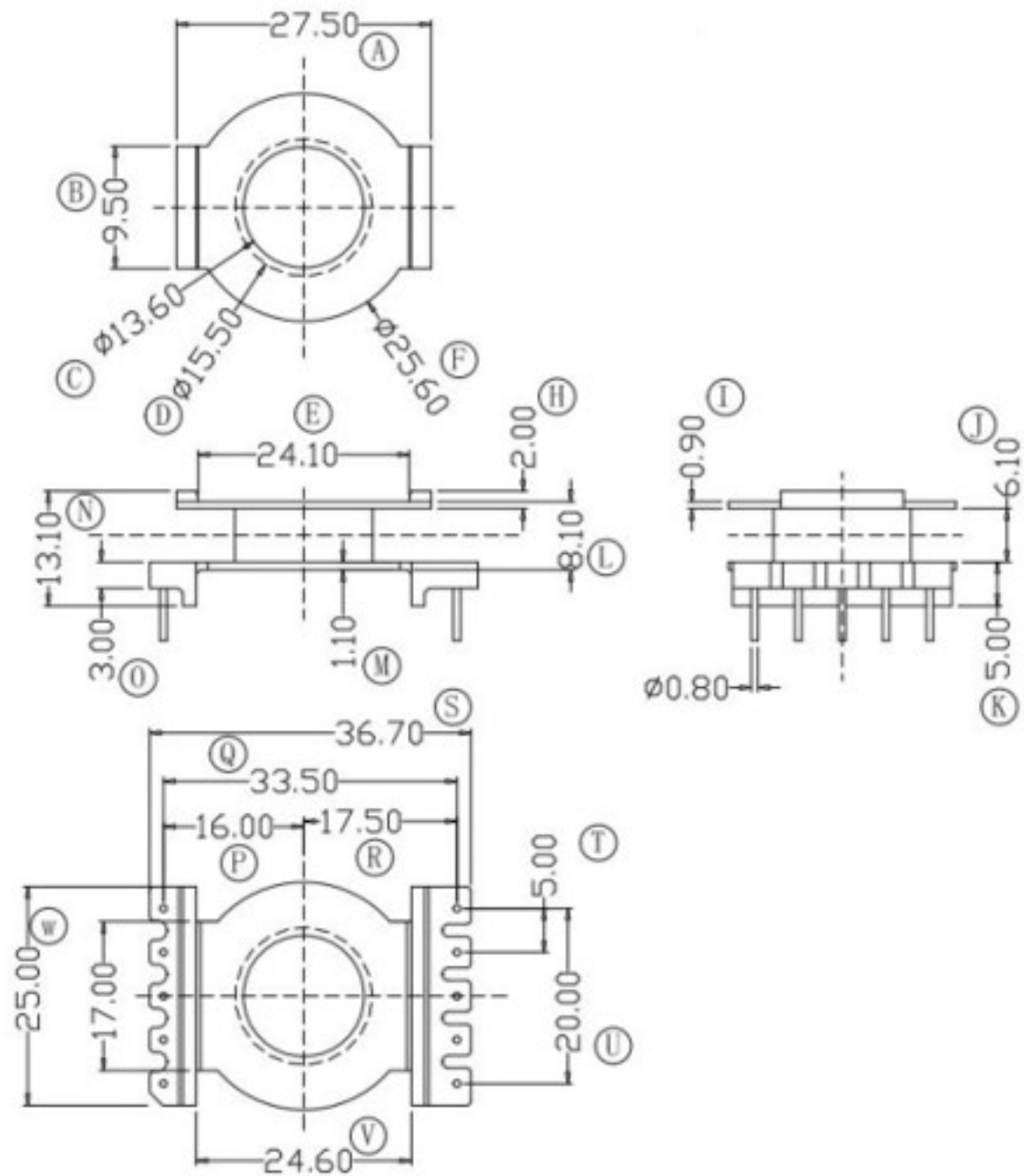
MM

DATE

2014.10.18

(TYPE)

006180331101001



### Self Electronic

MODEL

POT33/14 5+5

MATERIAL

PHENOLIC

TEL

021-66745473  
021-66716806

TOLERANCE

SCALE

DRAW BY

FAX

021-66742368

0 &lt; L ≤ 4 ±0.1

4 &lt; L ≤ 16 ±0.2

16 &lt; L ≤ 63 ±0.3

Pin pitch ±0.2

4/1

CHECK BY

WEBSITE

selfelectronic.com

UNIT

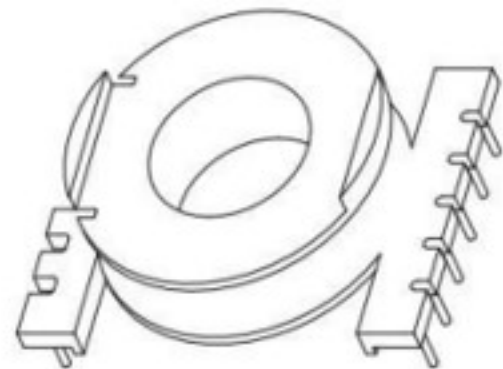
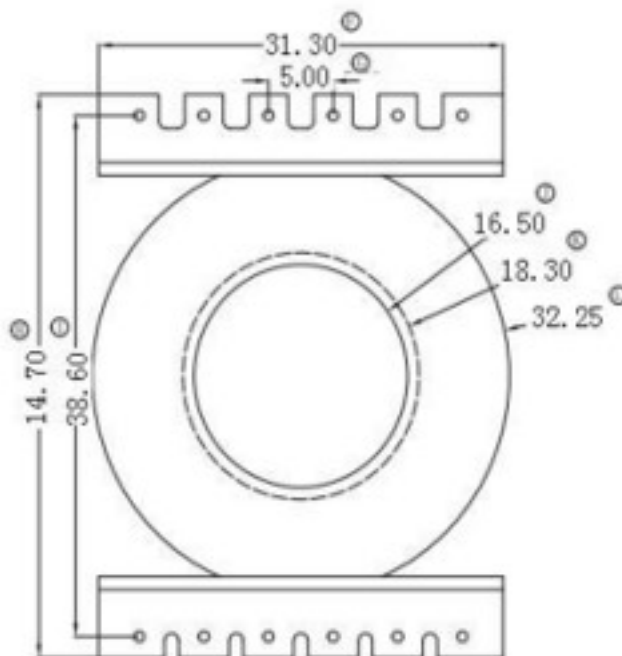
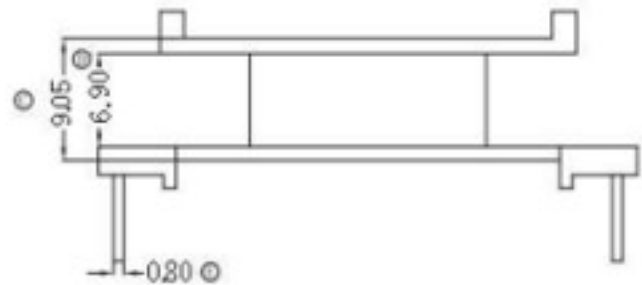
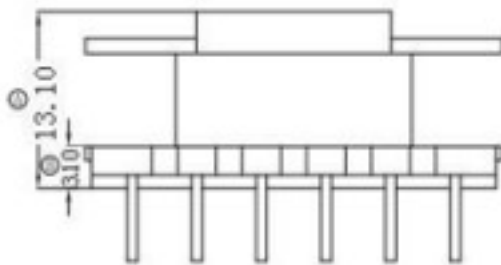
MM

DATE

2015.11.14

(TYPE)

006180401121001



### Self Electronic

MODEL

POT40 6+6

MATERIAL

PHENOLIC

TEL

021-66745473  
021-66716806

TOLERANCE

SCALE

DRAW BY

FAX

021-66742368

 $0 < L \leq 4 \quad \pm 0.1$   
 $4 < L \leq 16 \quad \pm 0.2$   
 $16 < L \leq 63 \quad \pm 0.3$ 

4/1

CHECK BY

WEBSITE

selfelectronic.com

Pin pitch  $\pm 0.2$ 

UNIT

MM

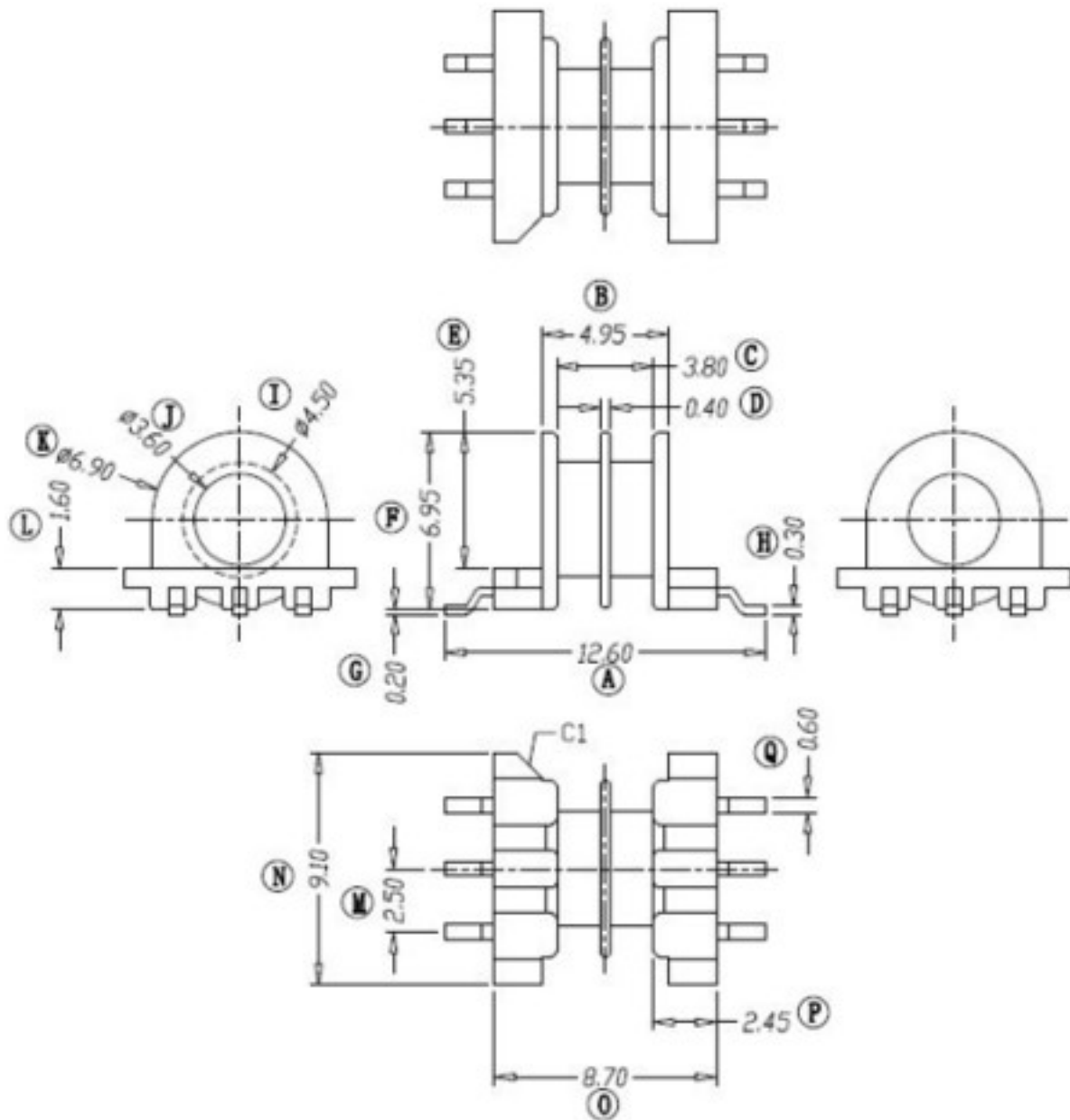
DATE

2014.10.18



(TYPE)

007110072062001



**Self  
Electronic**

MODEL

EP7

3+3

MATERIAL

LCP

TEL

021-66745473  
021-66716806

TOLERANCE

SCALE

DRAW BY

:

FAX

021-66742368

 $0 < L \leq 4 \quad \pm 0.1$   
 $4 < L \leq 16 \quad \pm 0.2$   
 $16 < L \leq 63 \quad \pm 0.3$   
 Pin pitch  $\pm 0.2$ 

4/1

CHECK BY

WEBSITE

selfelectronic.com

UNIT

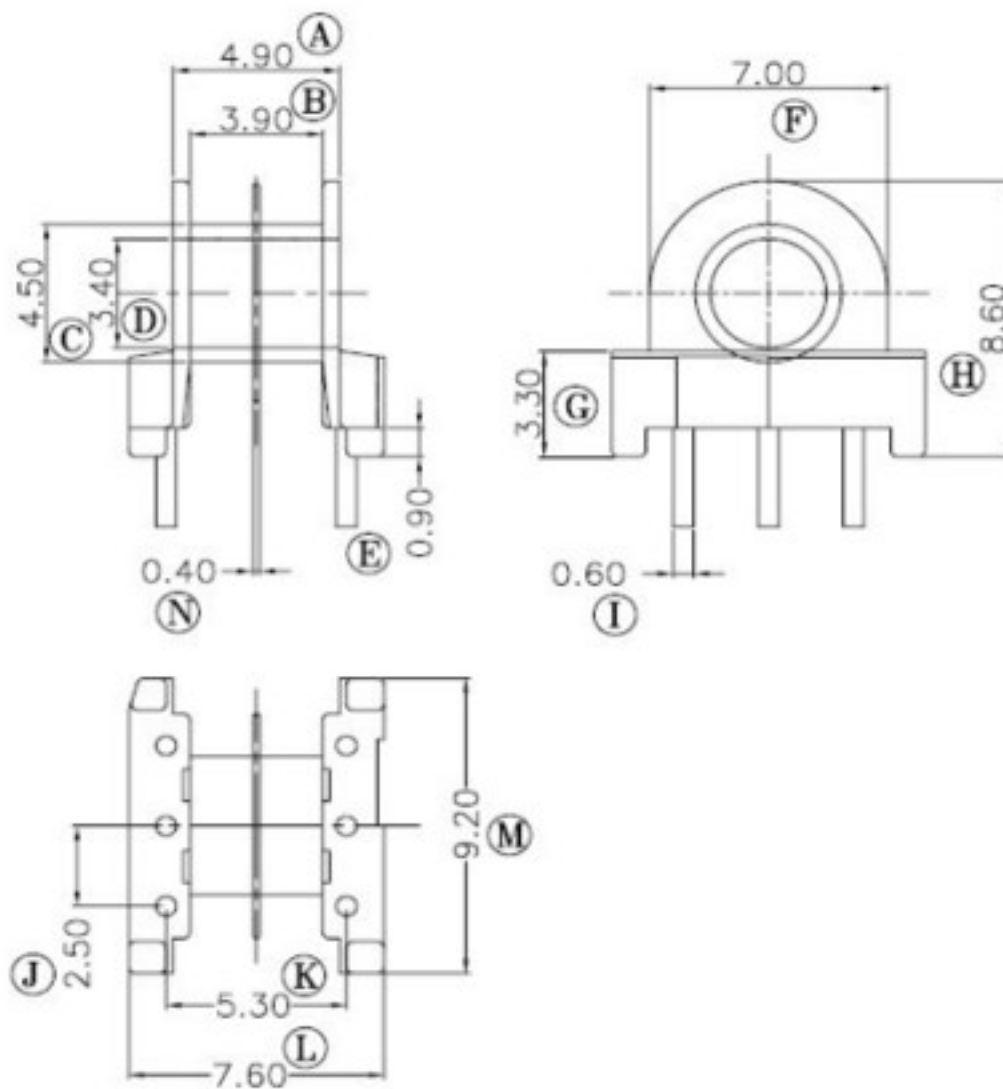
MM

DATE

2014.10.10

(TYPE)

009110072062001



### Self Electronic

MODEL

EP7

3+3

MATERIAL

PHENOLIC

TEL

021-66745473  
021-66716806

TOLERANCE

SCALE

DRAW BY

FAX

021-66742368

0 &lt; L ≤ 4 ±0.1

4 &lt; L ≤ 16 ±0.2

16 &lt; L ≤ 63 ±0.3

Pin pitch ±0.2

4/1

CHECK BY

WEBSITE

selfelectronic.com

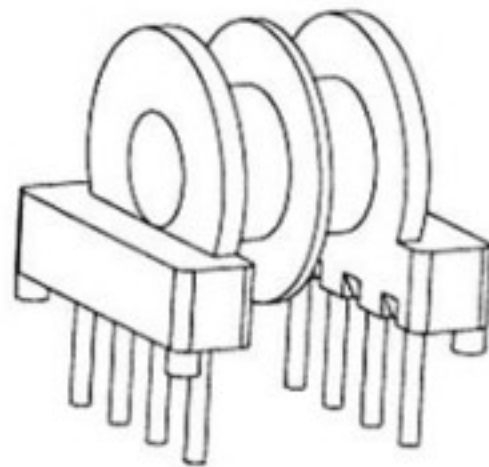
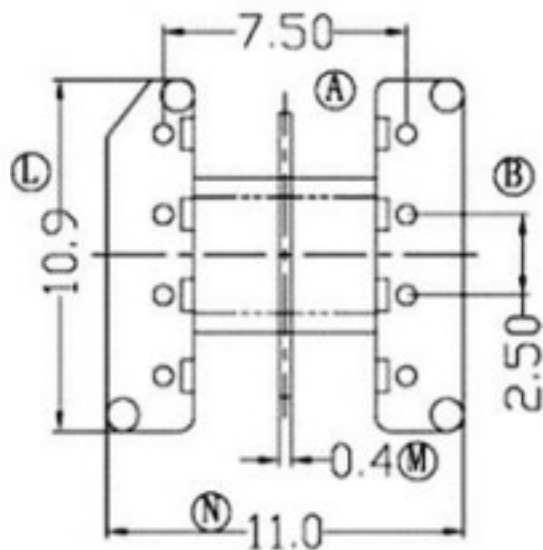
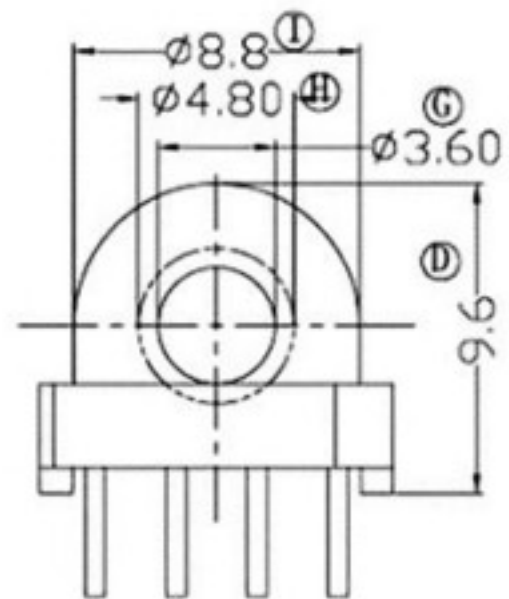
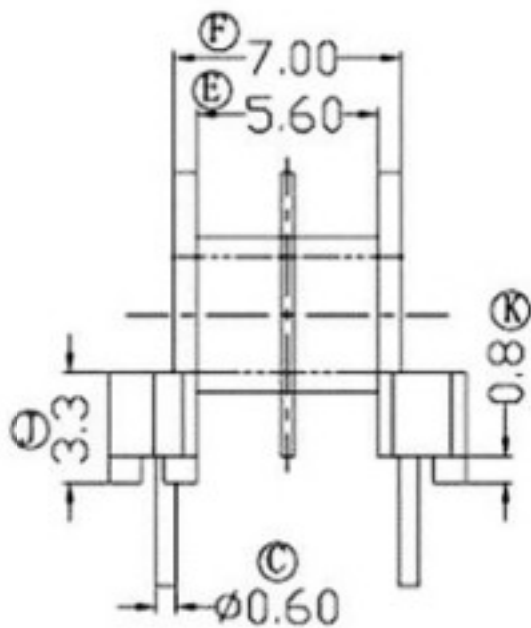
UNIT

MM

DATE

2014.10.18

(TYPE) 009110102082001



### Self Electronic

MODEL EP10 4+4

MATERIAL PHENOLIC

TEL 021-66745473  
021-66716806

TOLERANCE

SCALE DRAW BY

FAX 021-66742368

 $0 < L \leq 4 \quad \pm 0.1$   
 $4 < L \leq 16 \quad \pm 0.2$ 

4/1

CHECK BY

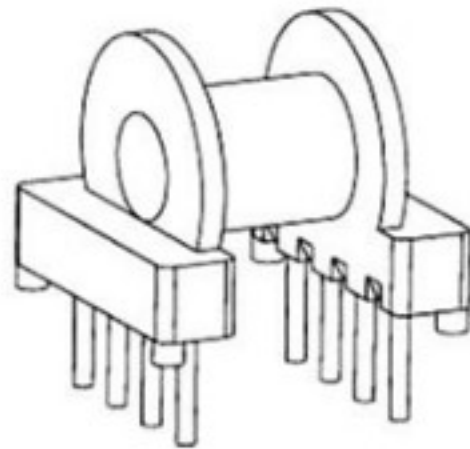
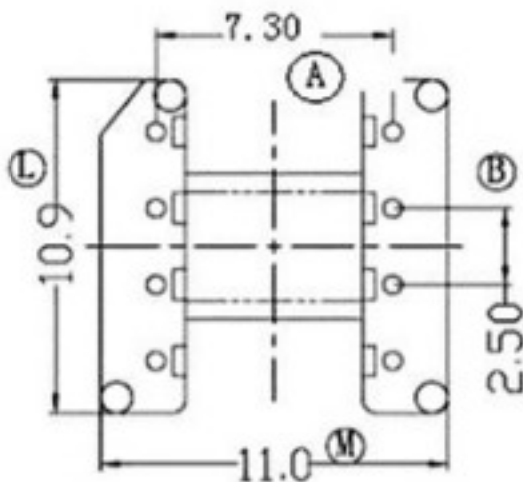
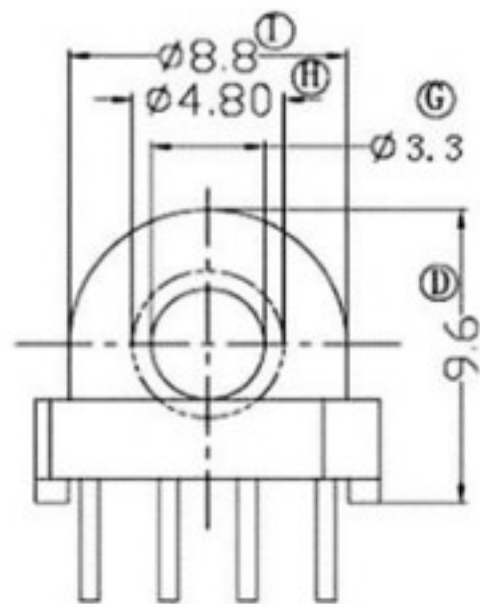
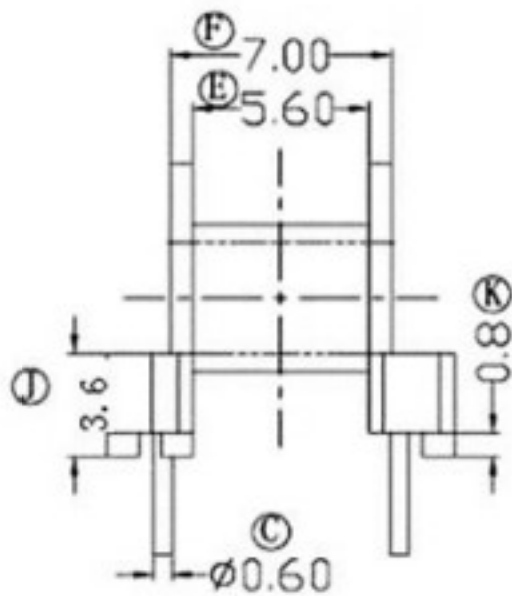
WEBSITE selfelectronic.com

 $16 < L \leq 63 \quad \pm 0.3$   
 Pin pitch  $\pm 0.2$ 

UNIT MM DATE 2014.10.18

(TYPE)

010110102081001



### Self Electronic

MODEL

EP10

4+4

MATERIAL

PHENOLIC

TEL

021-66745473  
021-66716806

TOLERANCE

SCALE

DRAW BY

FAX

021-66742368

 $0 < L \leq 4 \quad \pm 0.1$   
 $4 < L \leq 16 \quad \pm 0.2$   
 $16 < L \leq 63 \quad \pm 0.3$   
 Pin pitch  $\pm 0.2$ 

4/1

CHECK BY

WEBSITE

selfelectronic.com

UNIT

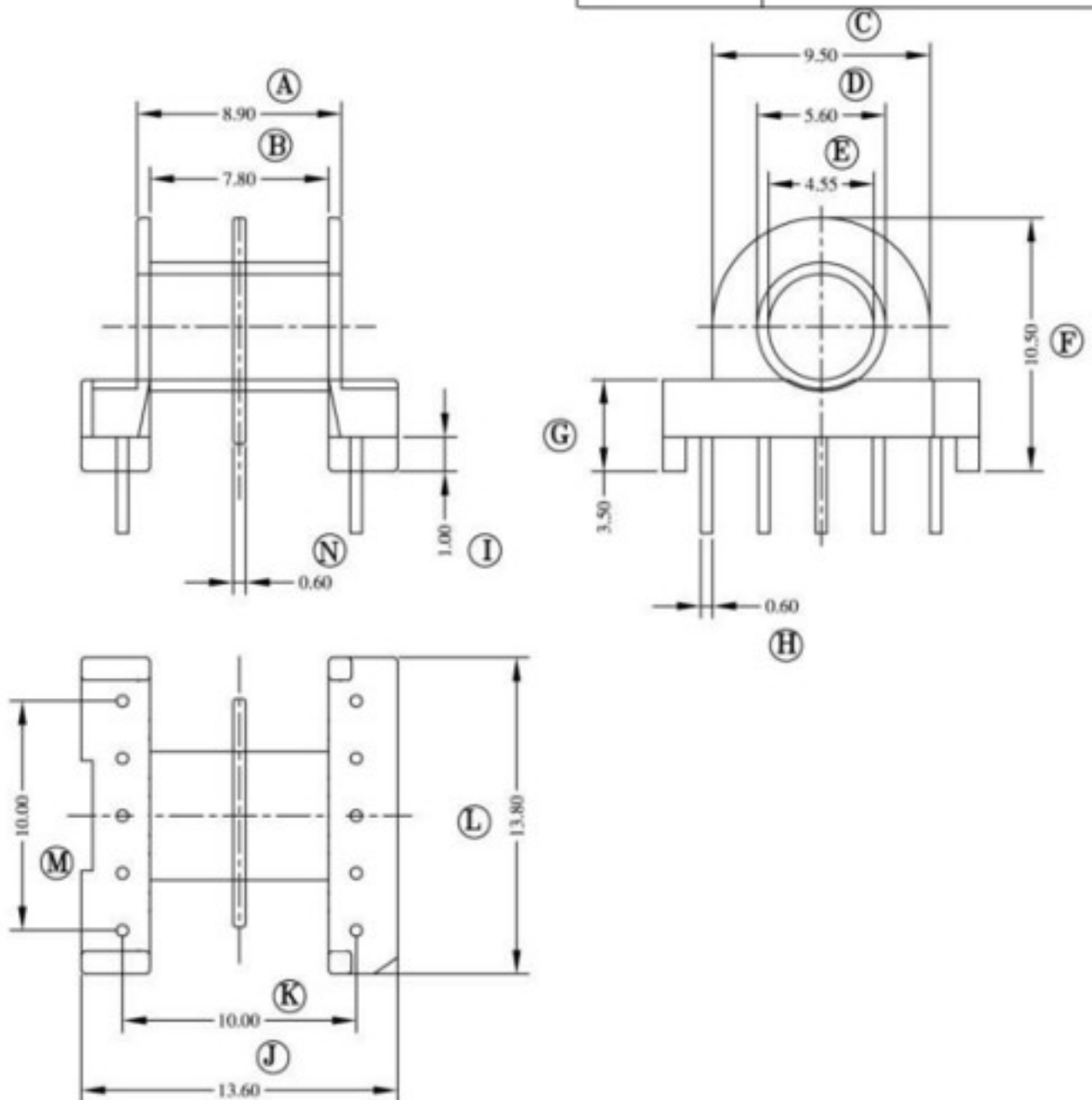
MM

DATE

2014.10.18

(TYPE)

009110132102001



### Self Electronic

MODEL

EP13

5+5

MATERIAL

PHENOLIC

TEL

021-66745473  
021-66716806

TOLERANCE

SCALE

DRAW BY

FAX

021-66742368

0 &lt; L ≤ 4 ±0.1

4 &lt; L ≤ 16 ±0.2

16 &lt; L ≤ 63 ±0.3

Pin pitch ±0.2

4/1

CHECK BY

WEBSITE

selfelectronic.com

UNIT

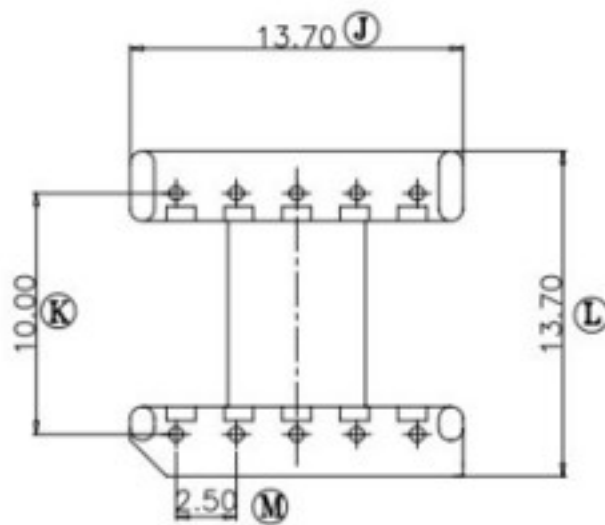
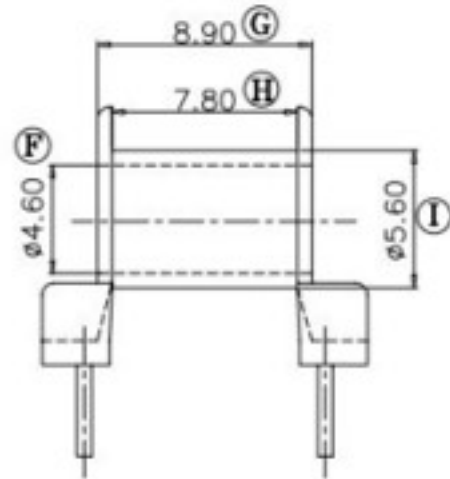
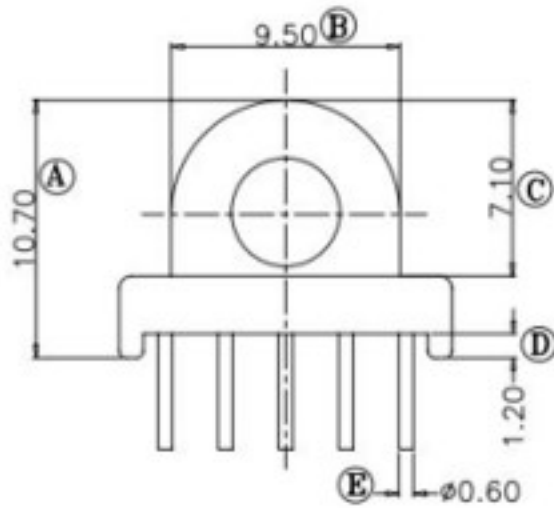
MM

DATE

2015.11.14

(TYPE)

009110132101001



### Self Electronic

MODEL  
NAME

EP13

5+5

MATERIAL

PHENOLIC

TEL

021-66745473  
021-66716806

TOLERANCE

SCALE

DRAW BY

FAX

021-66742368

 $0 < L \leq 4 \quad \pm 0.1$   
 $4 < L \leq 16 \quad \pm 0.2$   
 $16 < L \leq 63 \quad \pm 0.3$   
 Pin pitch  $\pm 0.2$ 

4/1

CHECK BY

WEBSITE

selfelectronic.com

UNIT

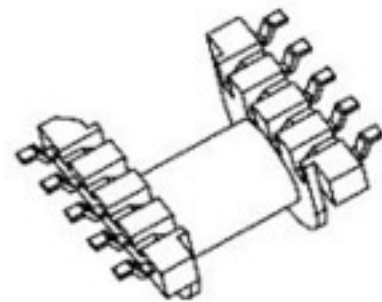
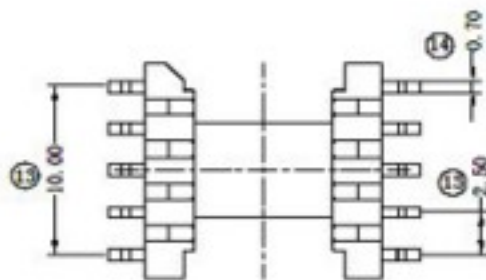
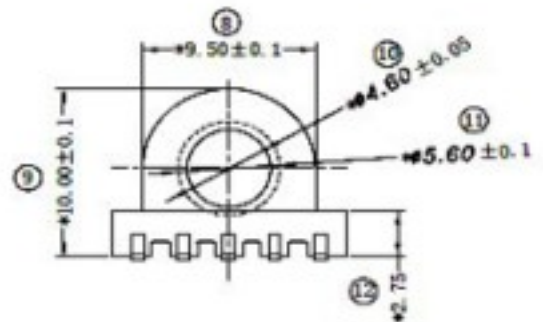
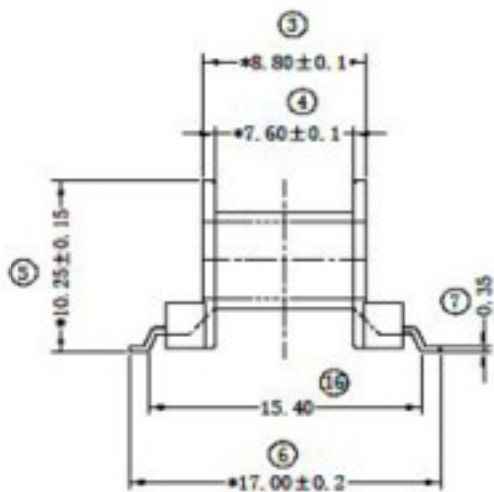
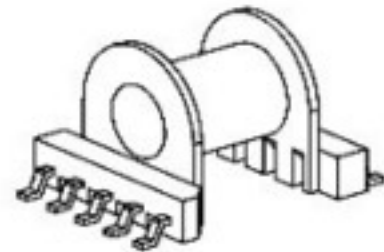
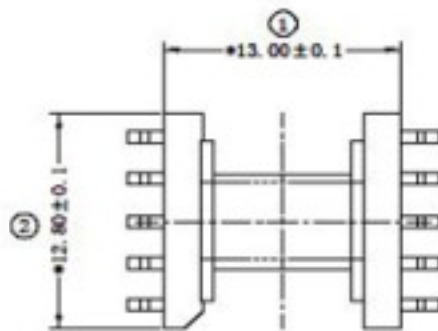
MM

DATE

2015.11.14

(TYPE)

050110132101101



**Self  
Electronic**

MODEL

EP13 5+5

MATERIAL

PHENOLIC

TEL

021-66745473  
021-66716806

TOLERANCE

SCALE

DRAW BY

FAX

021-66742368

0 &lt; L ≤ 4 ±0.1

4 &lt; L ≤ 16 ±0.2

16 &lt; L ≤ 63 ±0.3

Pin pitch ±0.2

4/1

CHECK BY

WEBSITE

selfelectronic.com

UNIT

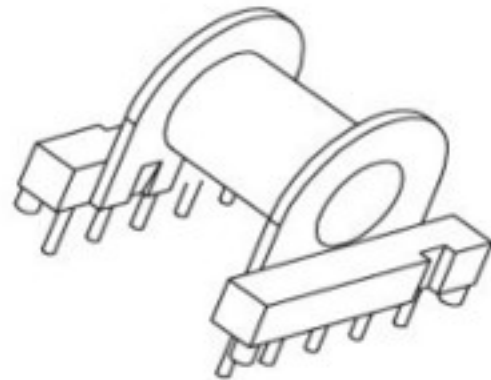
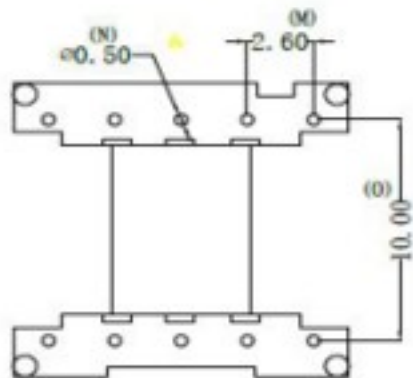
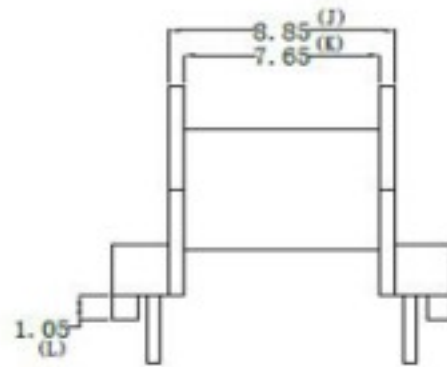
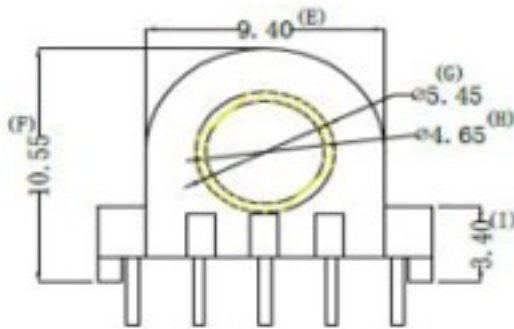
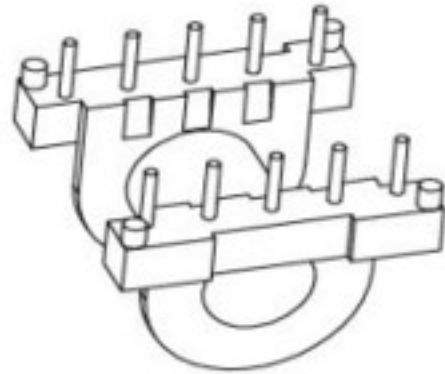
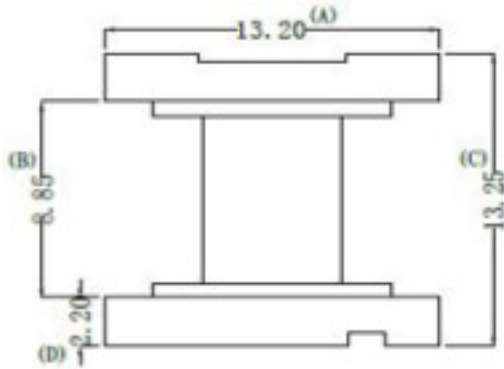
MM

DATE

2014.10.10

(TYPE)

029110132101001



### Self Electronic

MODEL

EP13

5+5

MATERIAL

PHENOLIC

TEL

021-66745473  
021-66716806

TOLERANCE

SCALE

DRAW BY

FAX

021-66742368

0 &lt; L ≤ 4 ±0.1

4 &lt; L ≤ 16 ±0.2

16 &lt; L ≤ 63 ±0.3

Pin pitch ±0.2

4/1

CHECK BY

WEBSITE

selfelectronic.com

UNIT

MM

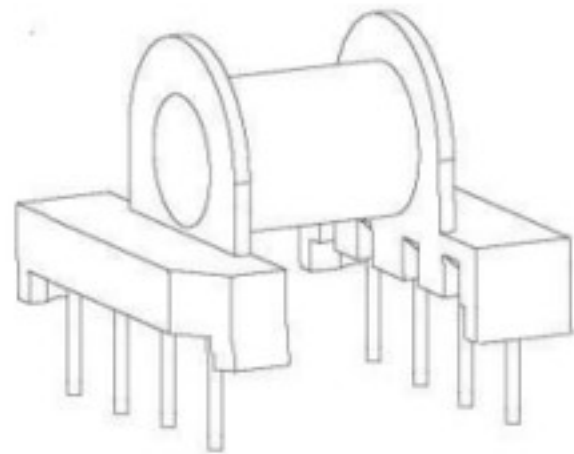
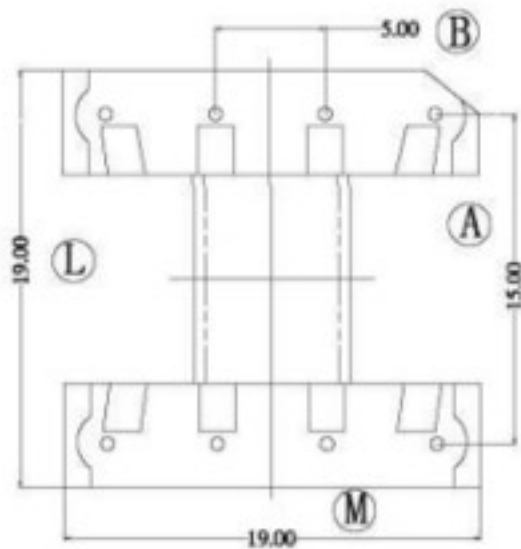
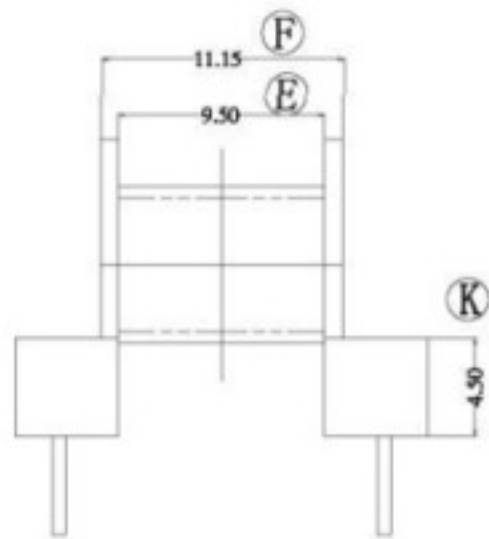
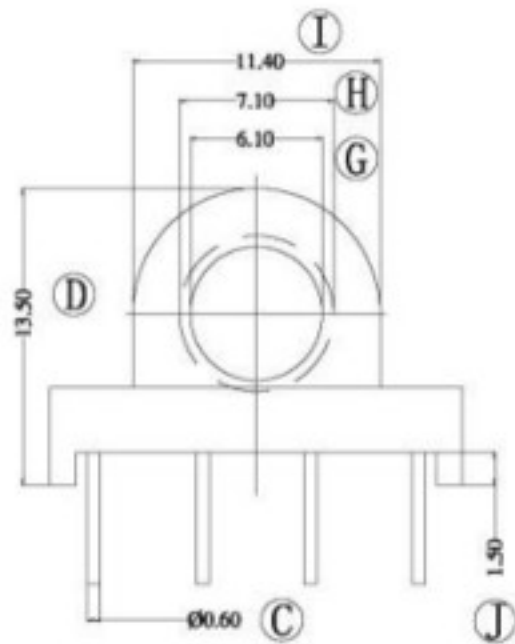
DATE

2014.10.18



(TYPE)

010110172081001



**Self  
Electronic**

MODEL

EP17

MATERIAL

PHENOLIC

TEL

021-66745473  
021-66716806

TOLERANCE

$0 < L \leq 4$   $\pm 0.1$   
 $4 < L \leq 16$   $\pm 0.2$   
 $16 < L \leq 63$   $\pm 0.3$   
Pin pitch  $\pm 0.2$

SCALE

4/1

DRAW BY

CHECK BY

WEBSITE

selfelectronic.com

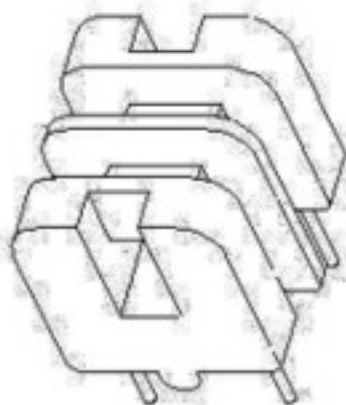
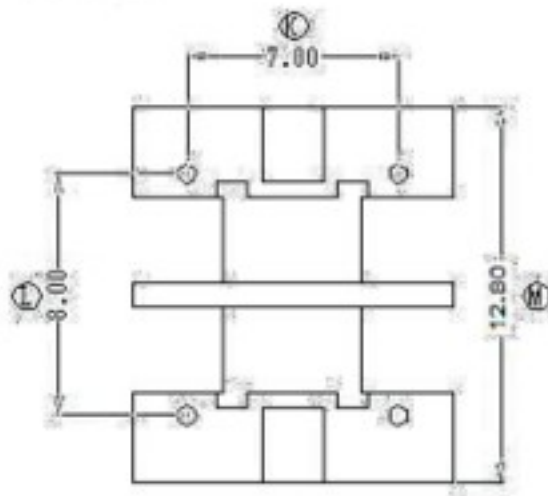
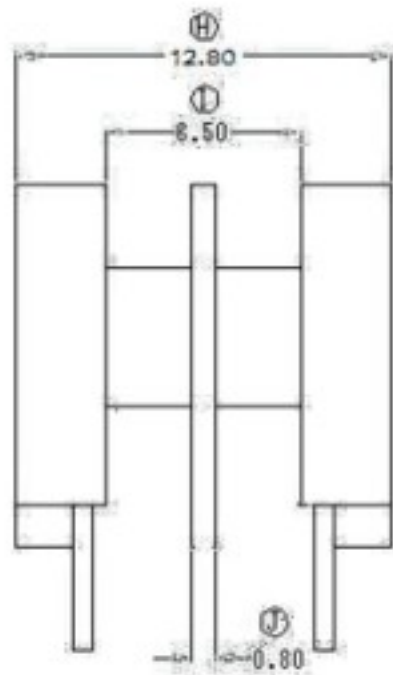
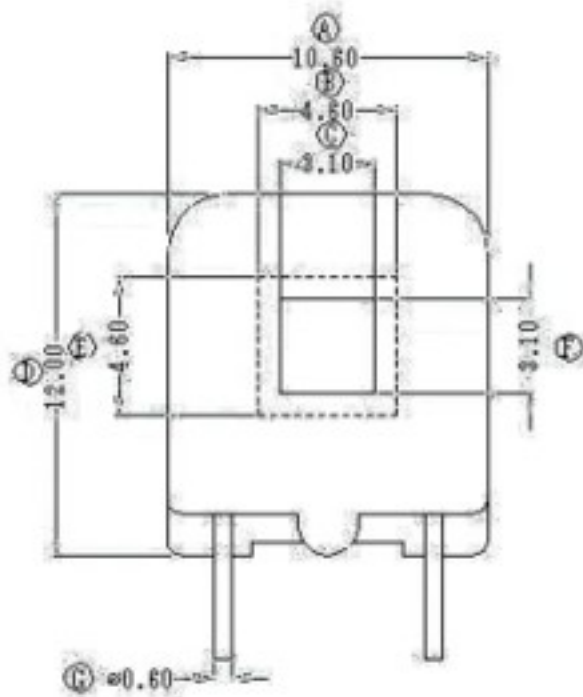
UNIT MM

DATE

2014.10.18

(TYPE)

003200032042001



**Self Electronic**

MODEL

UF9.8 2+2

MATERIAL

PHENOLIC

TEL

021-66745473  
021-66716806

TOLERANCE

SCALE

DRAW BY

FAX

021-66742368

0 < L ≤ 4 ±0.1  
4 < L ≤ 16 ±0.2  
16 < L ≤ 63 ±0.3

4/1

CHECK BY

WEBSITE

selfelectronic.com

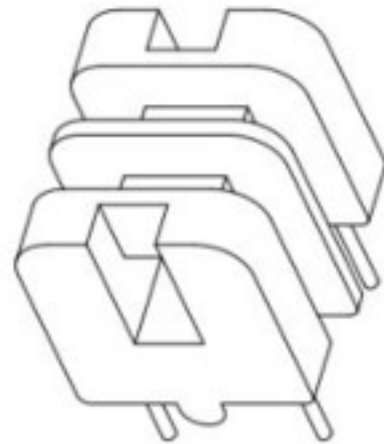
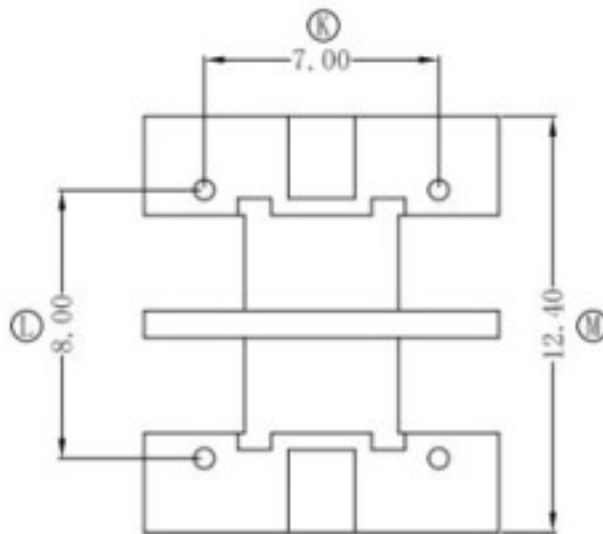
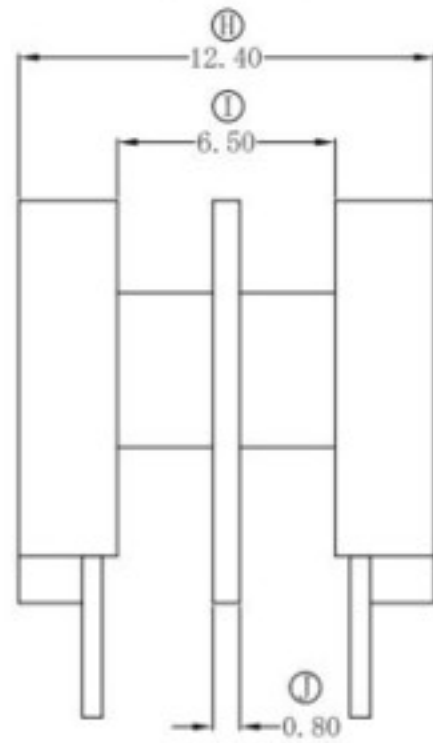
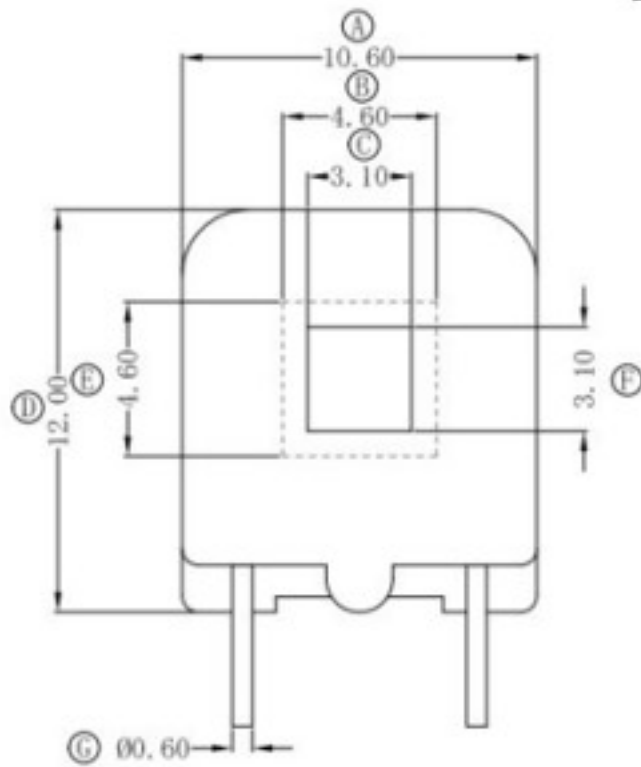
Pin pitch ±0.2

UNIT MM

DATE 2014. 10. 18

(TYPE)

006200032042001



**Self  
Electronic**

MODEL

UF9.8

2+2

MATERIAL

PHENOLIC

TEL

021-66745473  
021-66716806

TOLERANCE

SCALE

DRAW BY

FAX

021-66742368

0 &lt; L ≤ 4 ±0.1

4 &lt; L ≤ 16 ±0.2

16 &lt; L ≤ 63 ±0.3

Pin pitch ±0.2

4/1

CHECK BY

WEBSITE

selfelectronic.com

UNIT

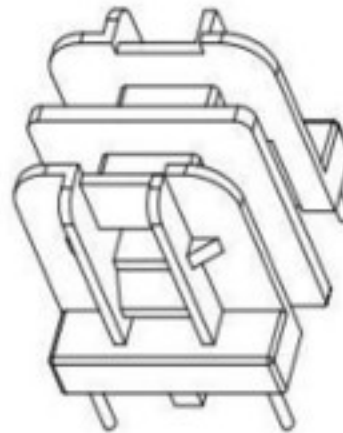
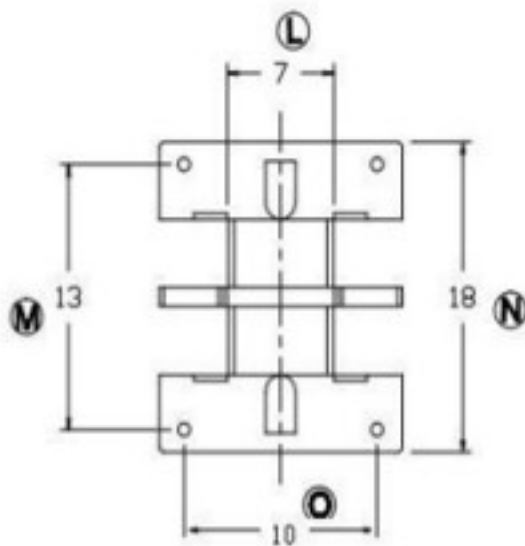
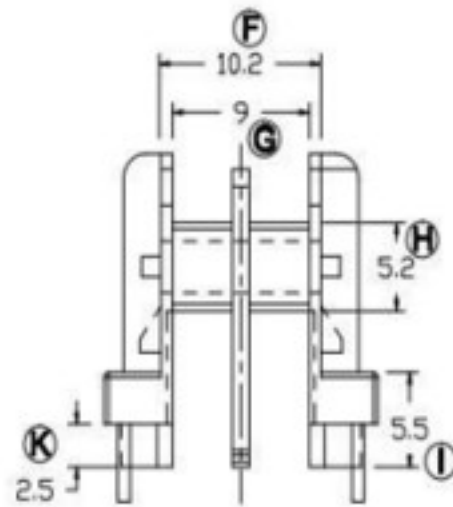
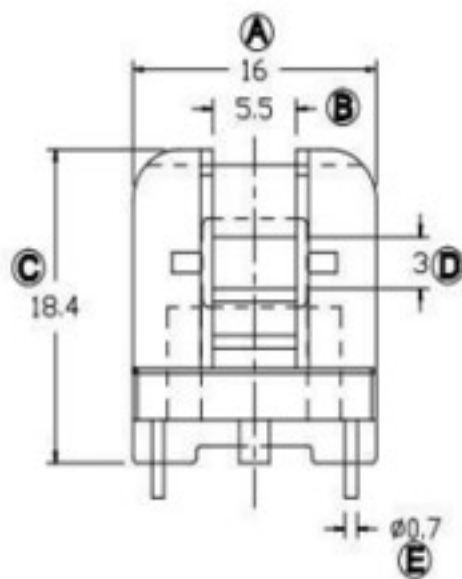
MM

DATE

2015. 11. 14

TYPE

031200042042001



### Self Electronic

MODEL

UF10.5 2+2

MATERIAL

PHENOLIC

TEL

021-66745473  
021-66716806

TOLERANCE

SCALE

DRAW BY

FAX

021-66742368

 $0 < L \leq 4$   $\pm 0.1$   
 $4 < L \leq 16$   $\pm 0.2$ 

4/1

CHECK BY

WEBSITE

selfelectronic.com

 $16 < L \leq 63$   $\pm 0.3$   
 Pin pitch  $\pm 0.2$ 

UNIT

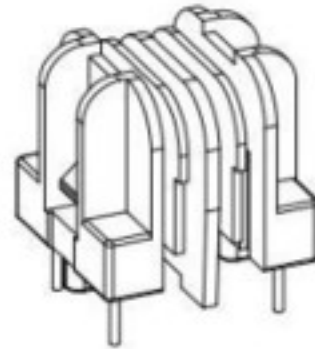
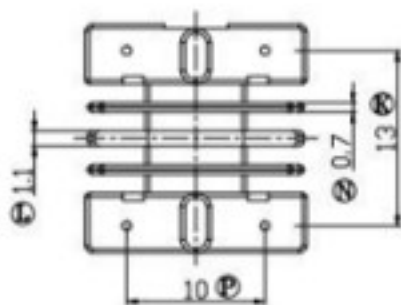
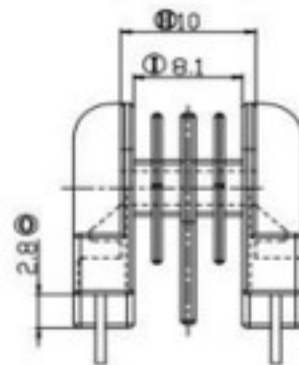
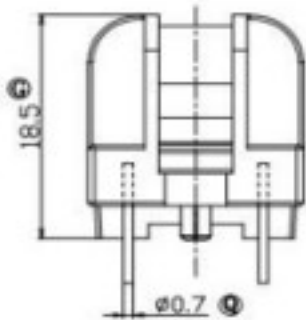
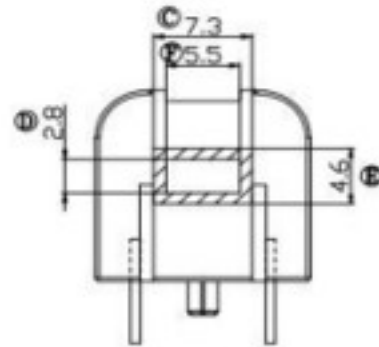
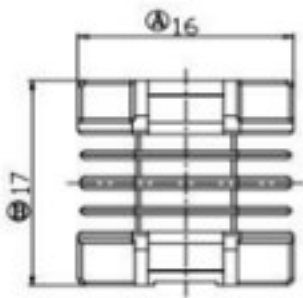
MM

DATE

2014. 10. 18

TYPE

031200042044001



### Self Electronic

MODEL

UF10.5

2+2

MATERIAL

PHENOLIC

TEL

021-66745473  
021-66716806

TOLERANCE

SCALE

DRAW BY

FAX

021-66742368

 $0 < L \leq 4$   $\pm 0.1$   
 $4 < L \leq 16$   $\pm 0.2$ 

4/1

CHECK BY

WEBSITE

selfelectronic.com

 $16 < L \leq 63$   $\pm 0.3$   
 Pin pitch  $\pm 0.2$ 

UNIT

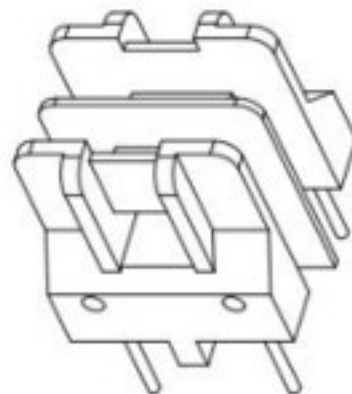
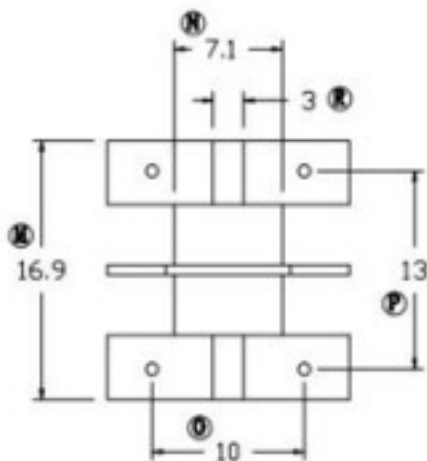
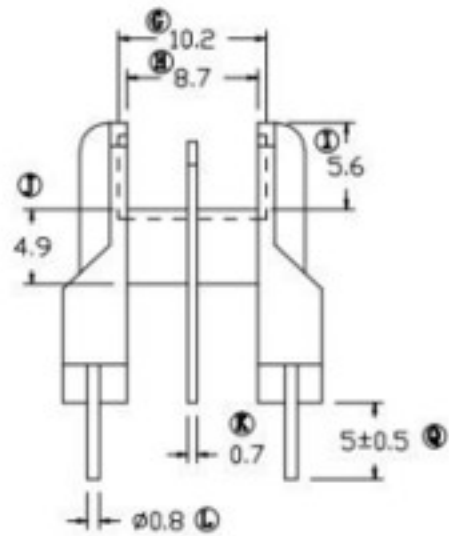
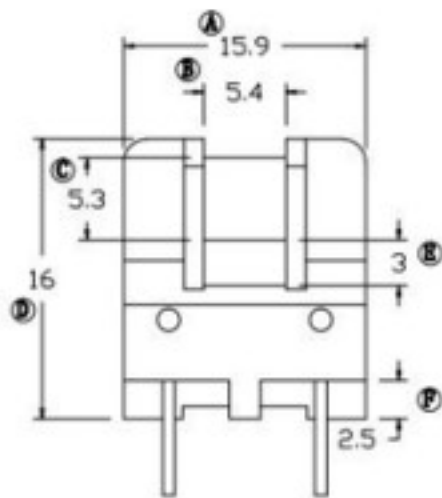
MM

DATE

2014. 10. 18

(TYPE)

001201052042001



**Self Electronic**

MODEL UF10.5 2+2

MATERIAL PHENOLIC

TEL 021-66745473  
021-66716806

TOLERANCE

SCALE DRAW BY

FAX 021-66742368

0 < L ≤ 4 ±0.1  
4 < L ≤ 16 ±0.2

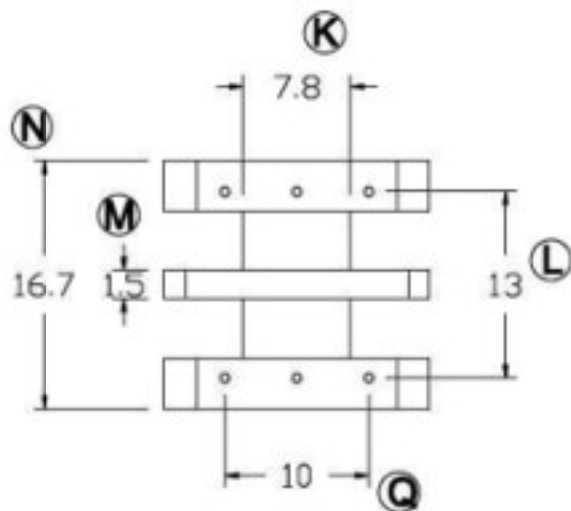
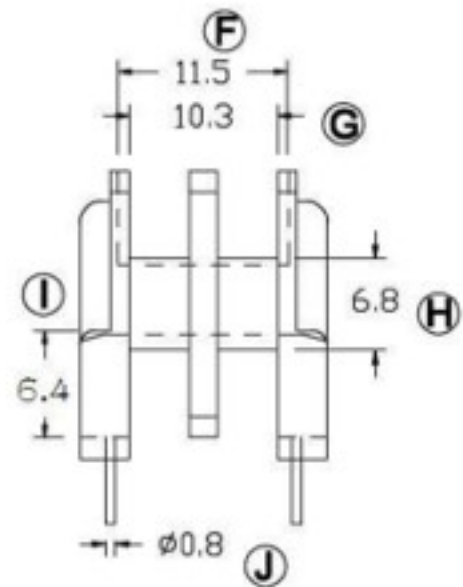
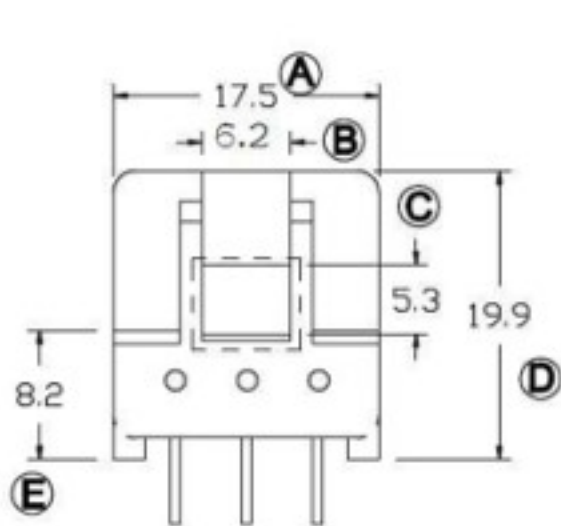
4/1 CHECK BY

WEBSITE selfelectronic.com

16 < L ≤ 50 ±0.3  
Pin pitch ±0.1

UNIT MM DATE 2014. 10. 18

(TYPE) 031200162042001



### Self Electronic

MODEL UF16 2+2

MATERIAL PHENOLIC

TEL 021-66745473  
021-66716806

TOLERANCE

SCALE DRAW BY

FAX 021-66742368

0 < L ≤ 4 ±0.1  
4 < L ≤ 16 ±0.2

4/1 CHECK BY

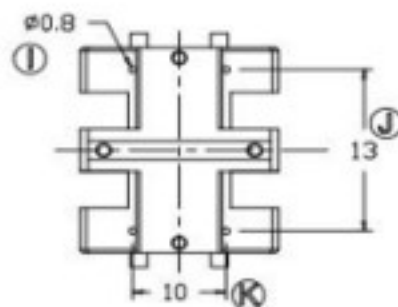
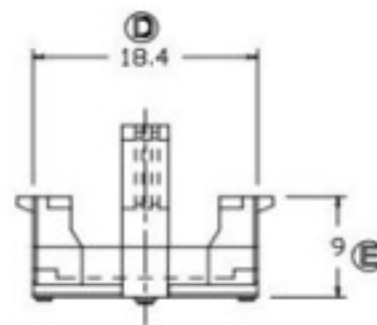
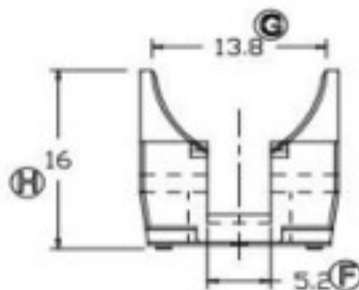
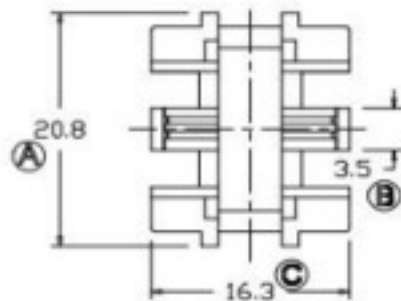
WEBSITE selfelectronic.com

16 < L ≤ 63 ±0.3  
Pin pitch ±0.2

UNIT MM DATE 2014.10.18

(TYPE)

031130201041001



**Self  
Electronic**

MODEL

ET20 .2+2

MATERIAL

PHENOLIC

TEL

021-66745473  
021-66716806

TOLERANCE

SCALE

DRAW BY

FAX

021-66742368

0 &lt; L ≤ 4 ±0.1

4 &lt; L ≤ 16 ±0.2

16 &lt; L ≤ 63 ±0.3

Pin pitch ±0.2

4/1

CHECK BY

WEBSITE

selfelectronic.com

UNIT

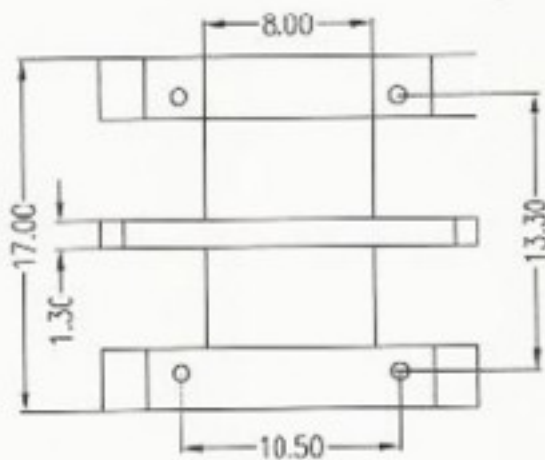
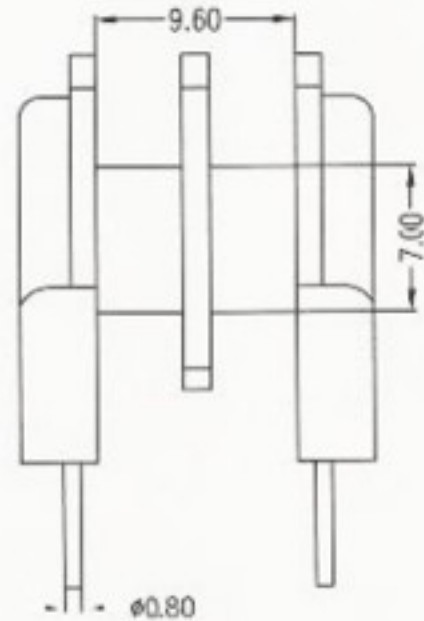
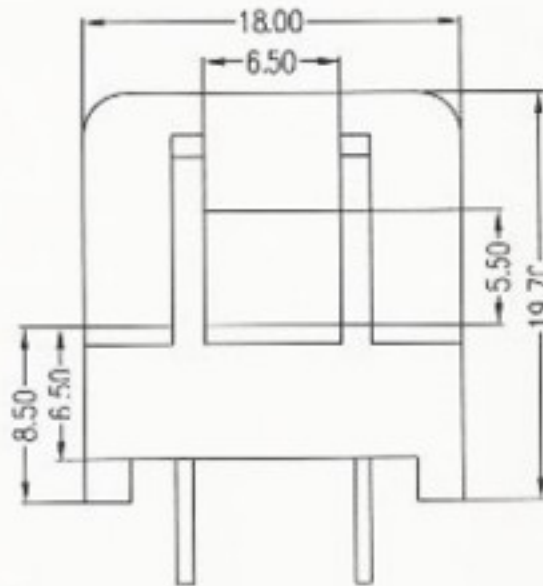
MM

DATE

2014.10.18



(TYPE) 001200162042001



### Self Electronic

MODEL

UF16 2+2

MATERIAL

PHENOLIC

TEL

021-66745473  
021-66716806

TOLERANCE

SCALE

DRAW BY

FAX

021-66742368

0 &lt;math&gt;L \leq 4&lt;/math&gt; ±0.1

4 &lt;math&gt;L \leq 16&lt;/math&gt; ±0.2

16 &lt;math&gt;L \leq 63&lt;/math&gt; ±0.3

Pin pitch ±0.2

4/1

CHECK BY

WEBSITE

selfelectronic.com

UNIT

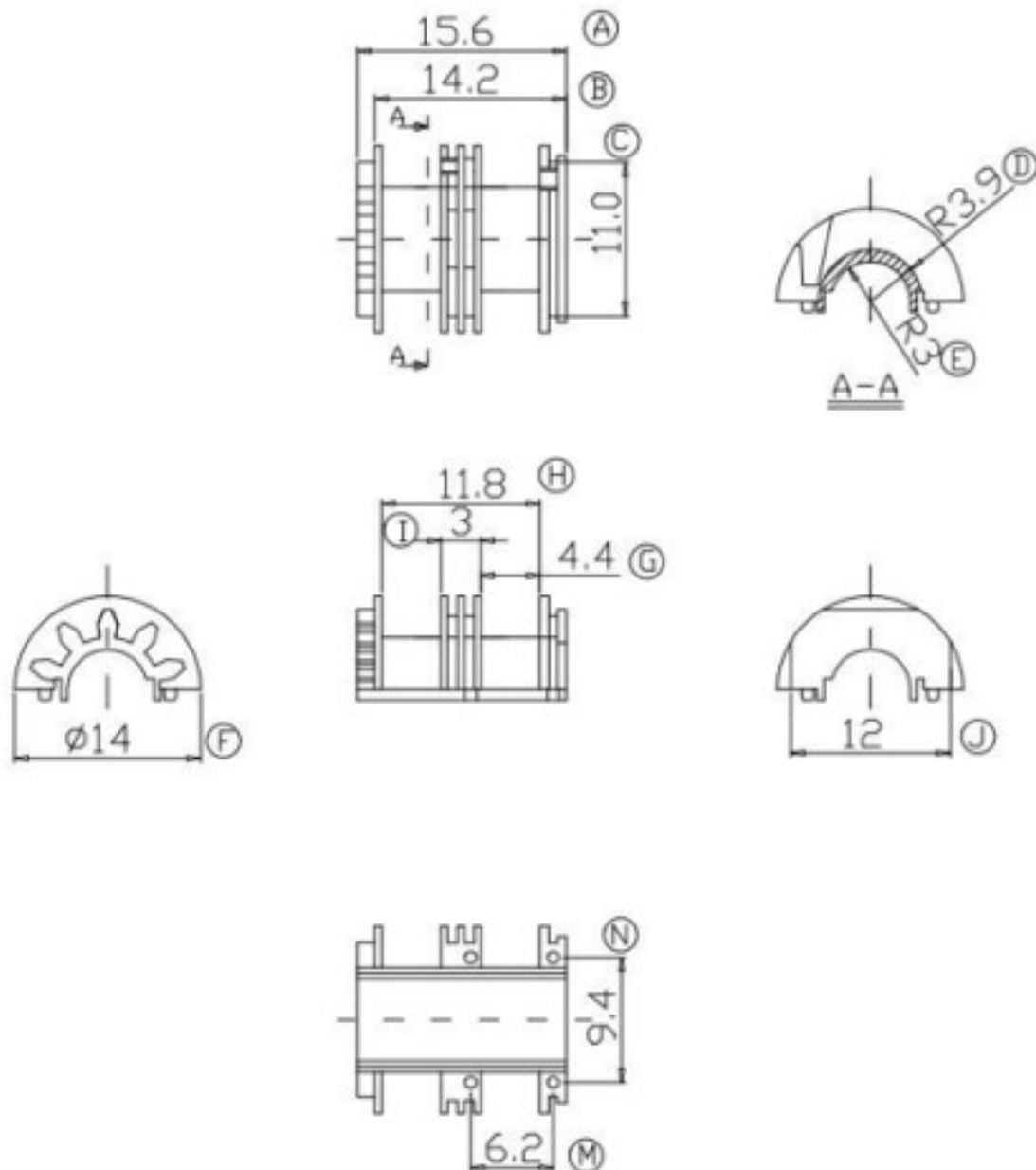
MM

DATE

2014.10.18

(TYPE)

031130201002002



**Self  
Electronic**

MODEL

ET20

MATERIAL

PBT

TEL

021-66745473  
021-66716806

TOLERANCE

SCALE

DRAW BY

FAX

021-66742368

0 &lt; L ≤ 4 ±0.1

4 &lt; L ≤ 16 ±0.2

16 &lt; L ≤ 63 ±0.3

Pin pitch ±0.2

4/1

CHECK BY

WEBSITE

selfelectronic.com

UNIT

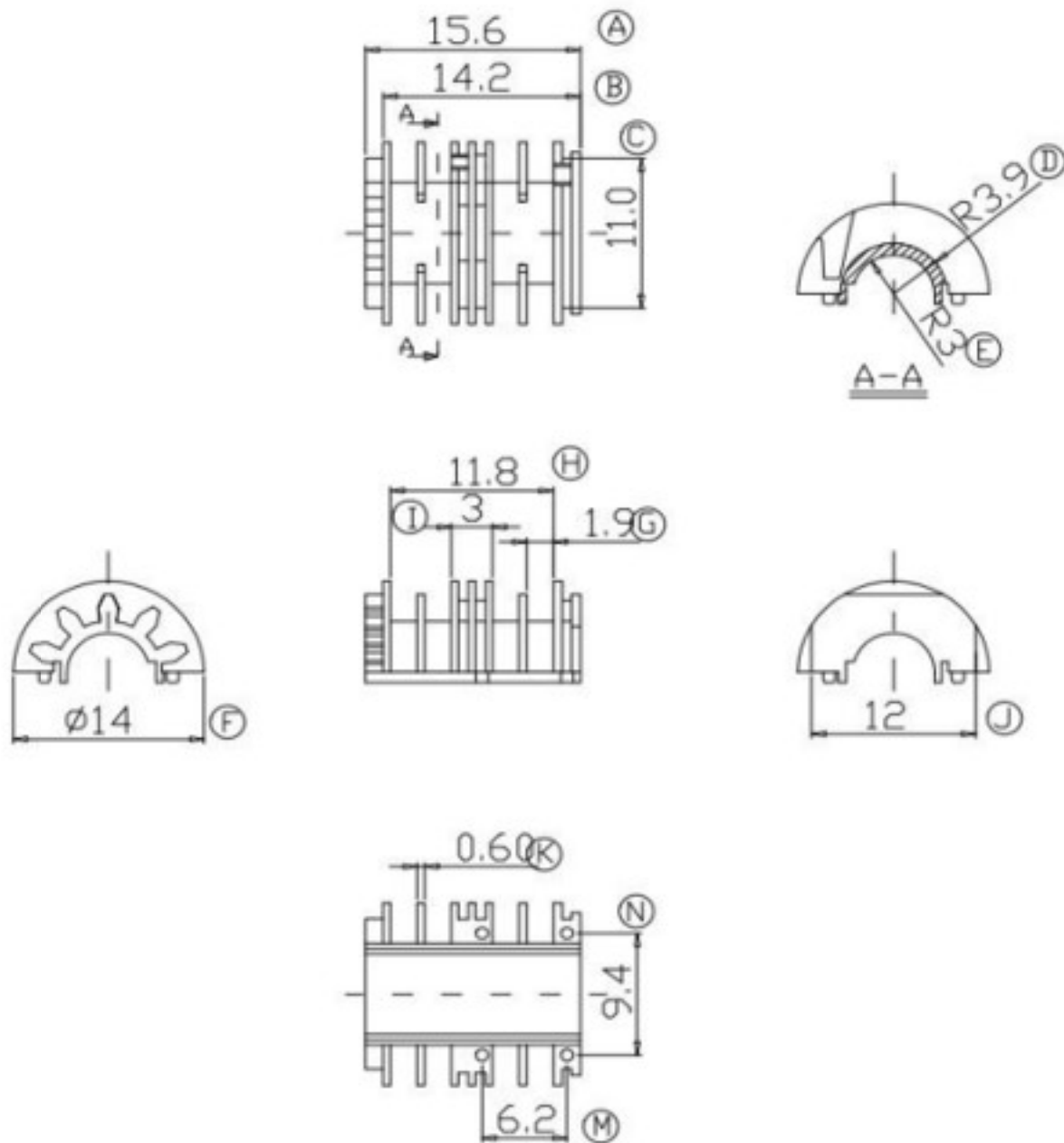
MM

DATE

2014.10.18

(TYPE)

010130241004002



**Self  
Electronic**

MODEL

ET20

MATERIAL

PBT

TEL

021-66745473  
021-66716806

TOLERANCE

SCALE

DRAW BY

FAX

021-66742368

0 &lt; L ≤ 4 ±0.1

4 &lt; L ≤ 16 ±0.2

16 &lt; L ≤ 63 ±0.3

Pin pitch ±0.2

4/1

CHECK BY

WEBSITE

selfelectronic.com

UNIT

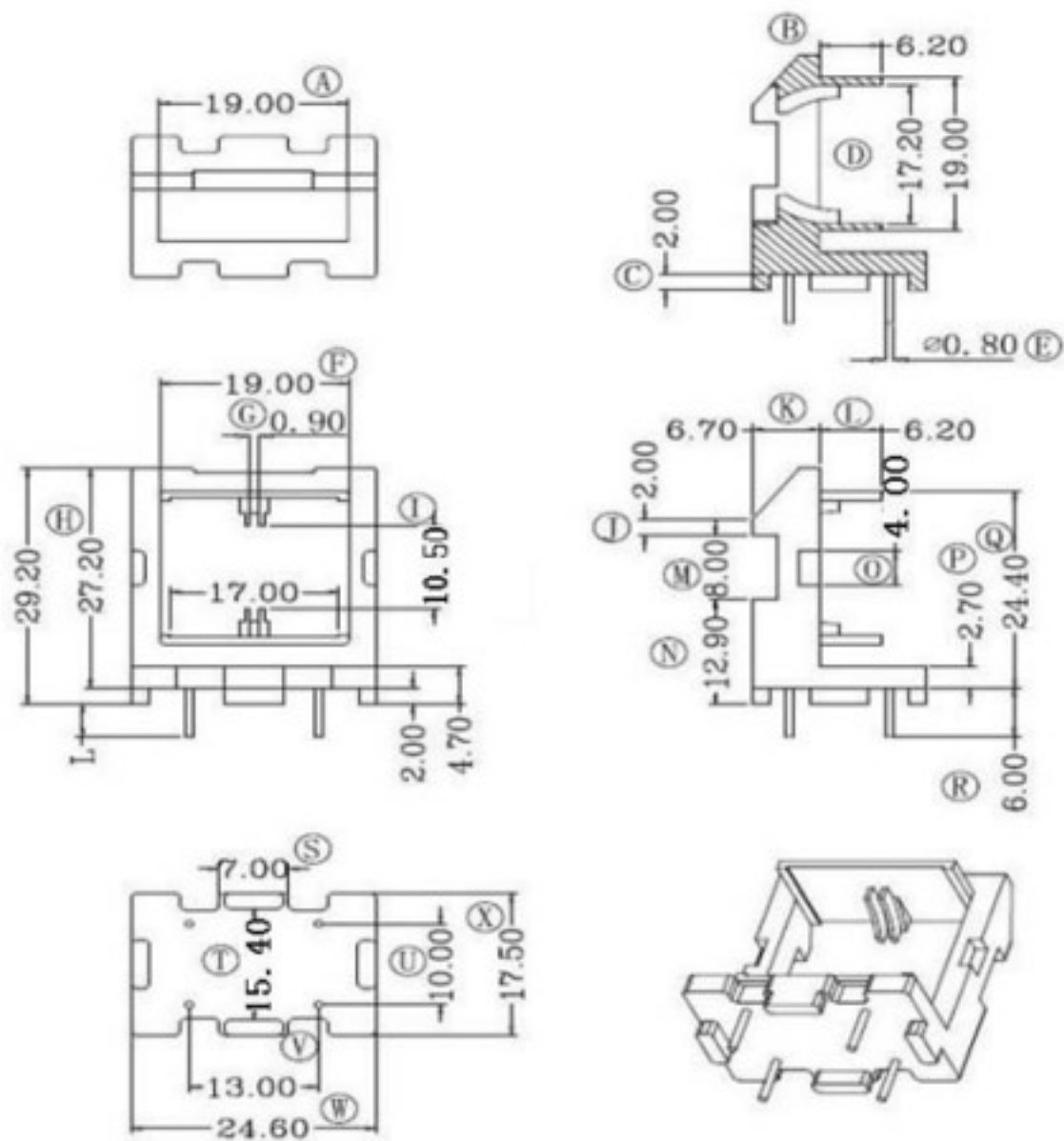
MM

DATE

2014.10.18

(TYPE)

011130241041001



### Self Electronic

MODEL

ET24 2+2

MATERIAL

PHENOLIC

TEL

021-66745473  
021-66716806

TOLERANCE

SCALE

DRAW BY

FAX

021-66742368

 $0 < L \leq 4 \quad \pm 0.1$   
 $4 < L \leq 16 \quad \pm 0.2$   
 $16 < L \leq 63 \quad \pm 0.3$   
 Pin pitch  $\pm 0.2$ 

4/1

CHECK BY

WEBSITE

selfelectronic.com

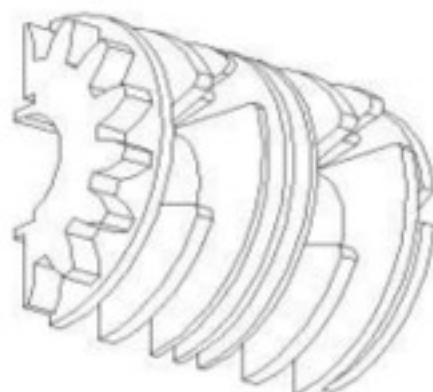
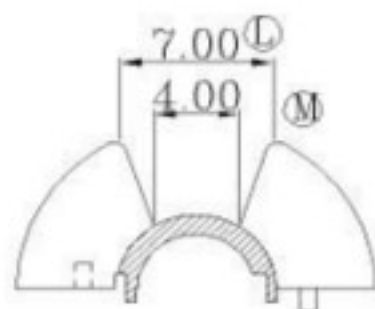
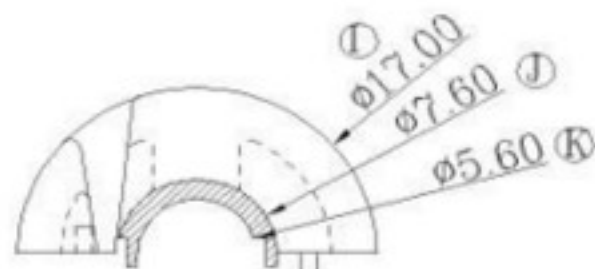
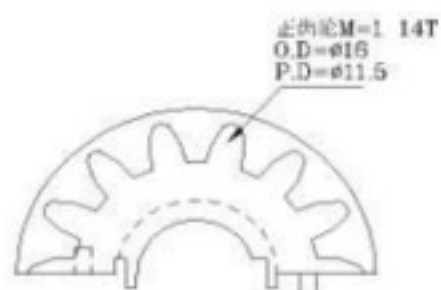
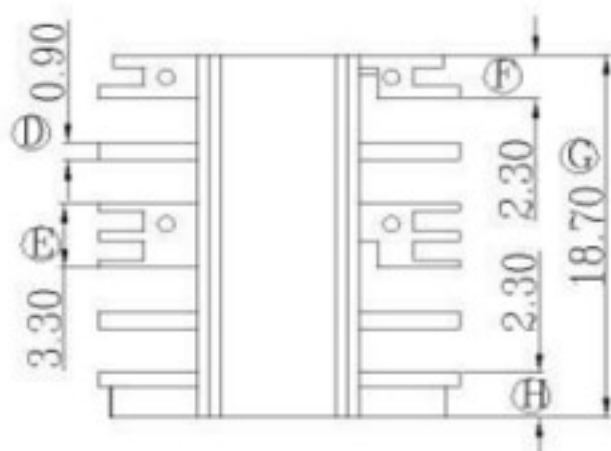
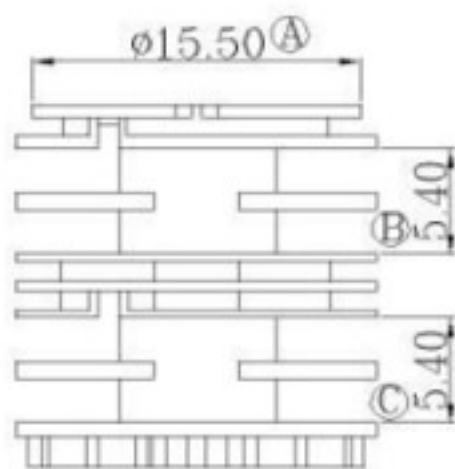
UNIT MM

DATE

2014.10.18

(TYPE)

011130241004002



**Self  
Electronic**

MODEL

ET24

MATERIAL

PBT

TEL

021-66745473  
021-66716806

TOLERANCE

SCALE

DRAW BY

FAX

021-66742368

 $0 < L \leq 4 \quad \pm 0.1$   
 $4 < L \leq 16 \quad \pm 0.2$ 

4/1

CHECK BY

WEBSITE

selfelectronic.com

 $16 < L \leq 63 \quad \pm 0.3$   
 Pin pitch  $\pm 0.2$ 

UNIT

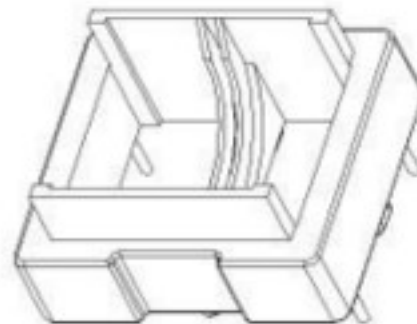
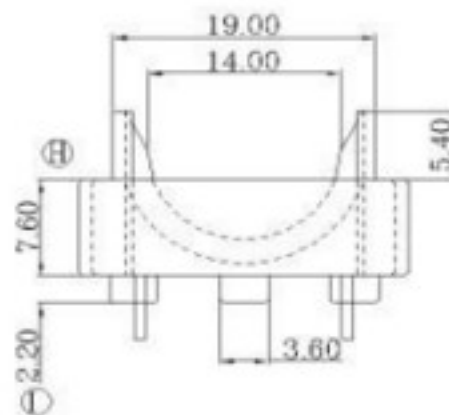
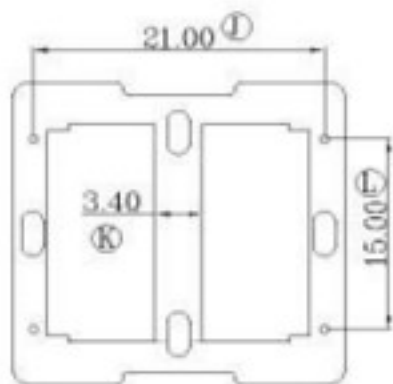
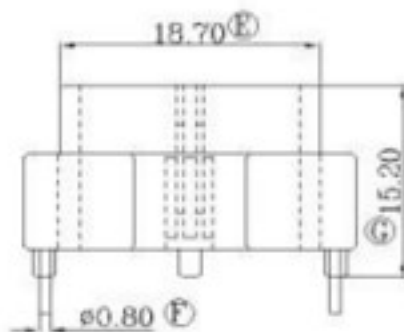
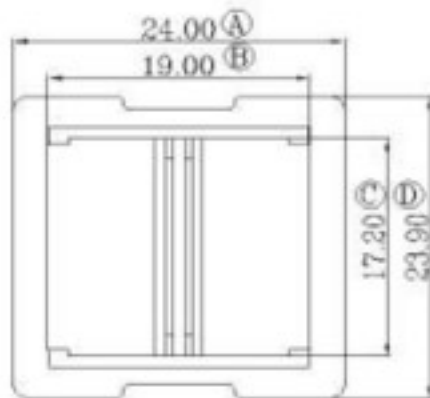
MM

DATE

2014.10.18

( TYPE)

011130242041001



**Self  
Electronic**

MODEL

ET24 2+2

MATERIAL

PHENOLIC

TEL

021-66745473  
021-66716806

TOLERANCE

SCALE

DRAW BY

FAX

021-66742368

0 &lt; L ≤ 4 ±0.1

4 &lt; L ≤ 16 ±0.2

16 &lt; L ≤ 63 ±0.3

Pin pitch ±0.2

4/1

CHECK BY

WEBSITE

selfelectronic.com

UNIT

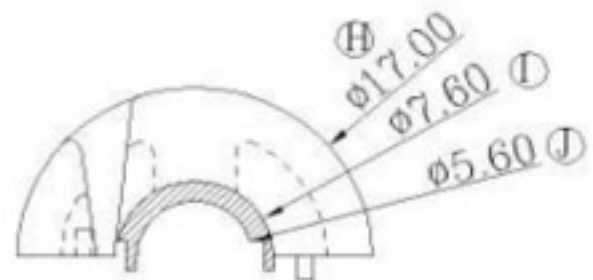
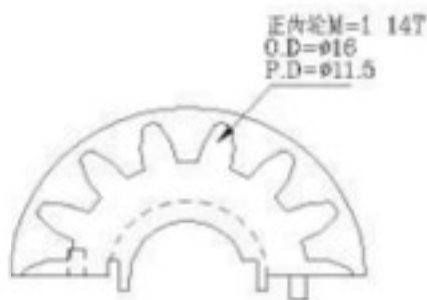
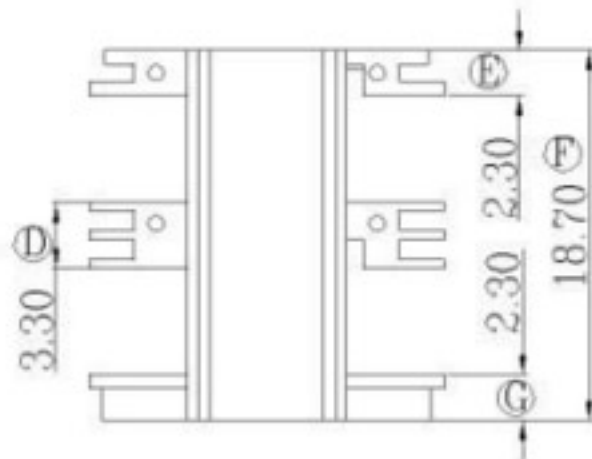
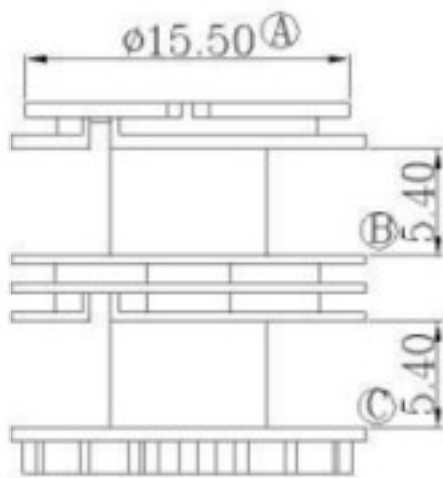
MM

DATE

2014.10.18

(TYPE)

010110241041002



**Self  
Electronic**

MODEL

ET24

MATERIAL

PBT

TEL

021-66745473  
021-66716806

TOLERANCE

SCALE

DRAW BY

FAX

021-66742368

0 &lt; L ≤ 4 ±0.1

4 &lt; L ≤ 16 ±0.2

16 &lt; L ≤ 63 ±0.3

Pin pitch ±0.2

4/1

CHECK BY

WEBSITE

selfelectronic.com

UNIT

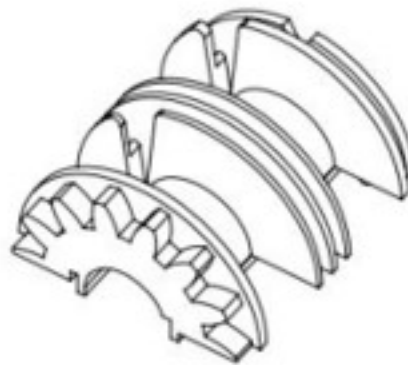
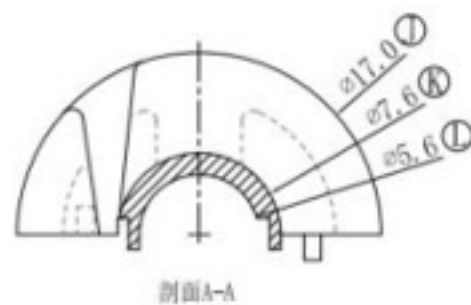
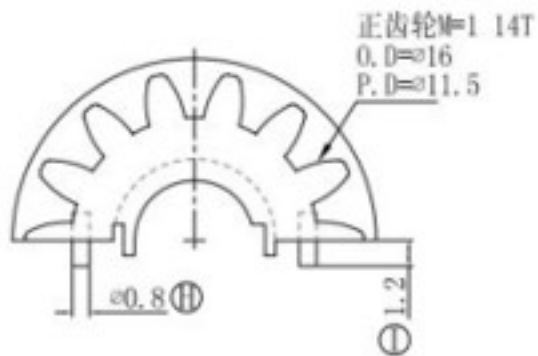
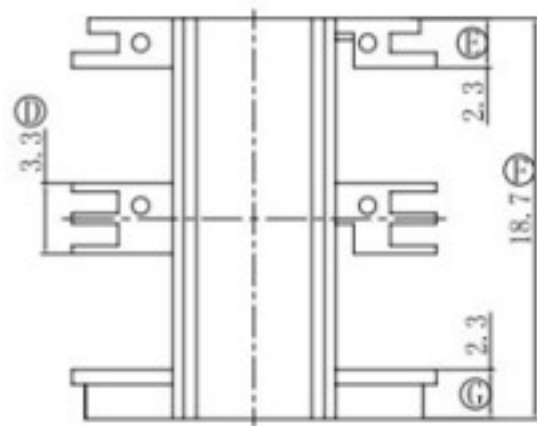
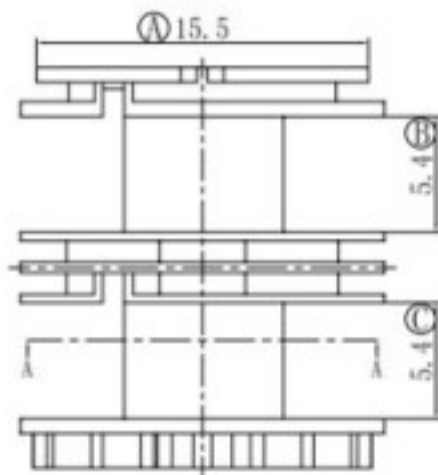
MM

DATE

2014.10.18

(TYPE)

011130241002002



**Self  
Electronic**

MODEL

ET24

MATERIAL

PBT

TEL

021-66745473  
021-66716806

TOLERANCE

SCALE

DRAW BY

FAX

021-66742368

0 &lt; L ≤ 4 ±0.1

4 &lt; L ≤ 16 ±0.2

16 &lt; L ≤ 63 ±0.3

Pin pitch ±0.2

4/1

CHECK BY

WEBSITE

selfelectronic.com

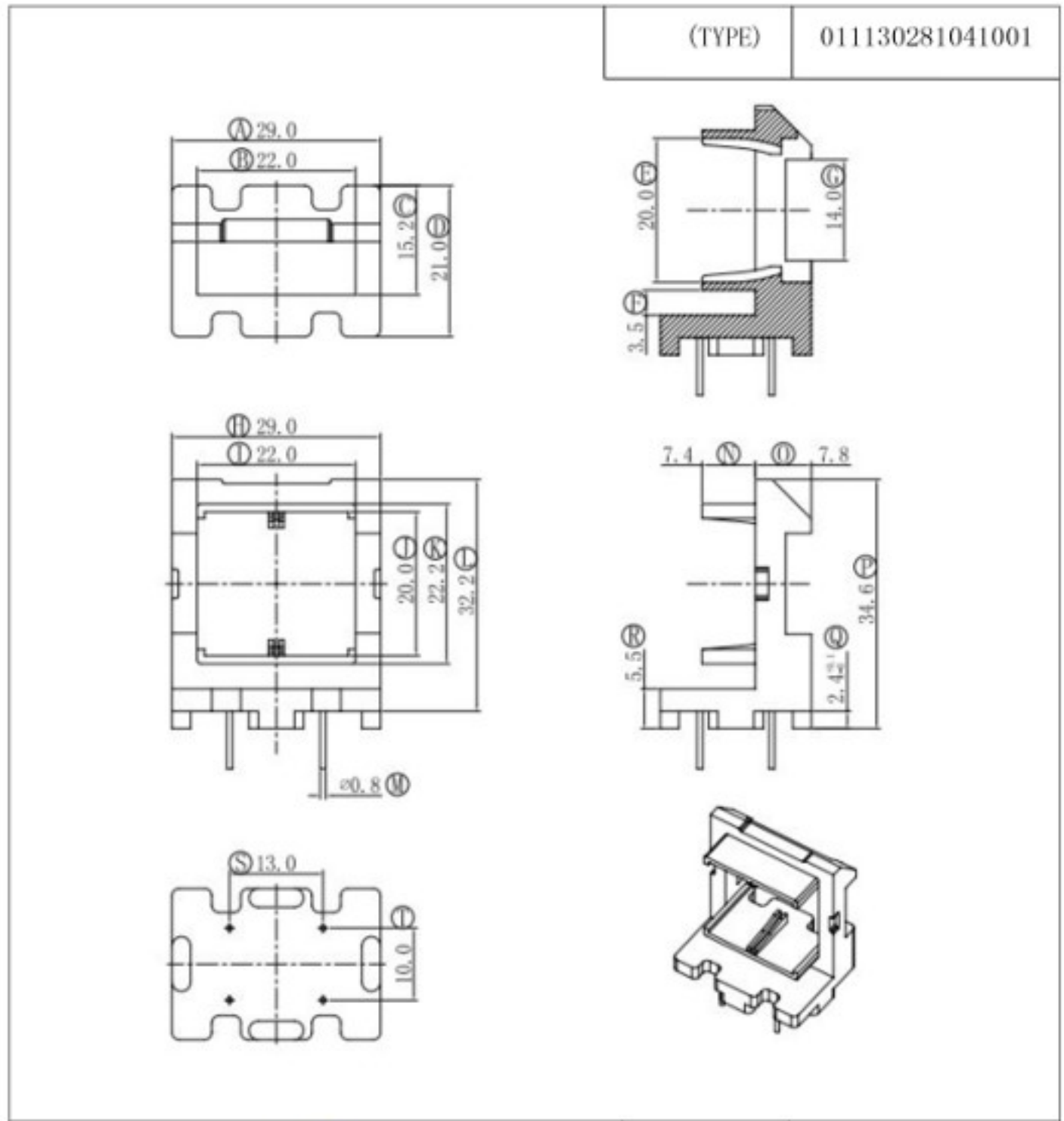
UNIT

MM

DATE

205.11.17

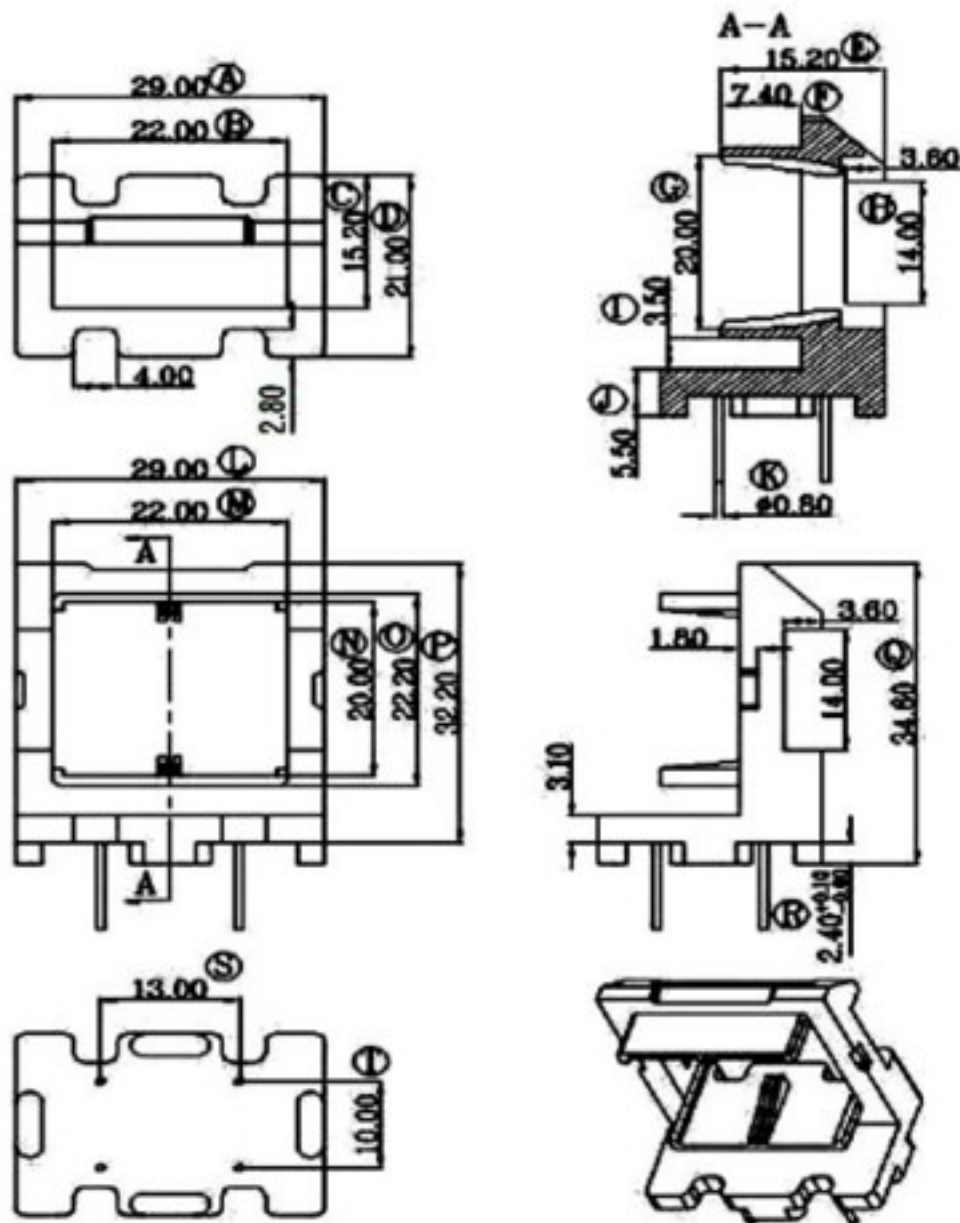




<b>Self Electronic</b>			MODEL	ET28    2+2
			MATERIAL	PHENOLIC
TEL	021-66745473 021-66716806	TOLERANCE	SCALE	DRAW BY
FAX	021-66742368	0 < L ≤ 4    ±0.1 4 < L ≤ 16   ±0.2 16 < L ≤ 63  ±0.3 Pin pitch    ±0.2	4/1	CHECK BY
WEBSITE	selfelectronic.com		UNIT   MM	DATE   2015.11.17

(TYPE)

010130281041001



**Self  
Electronic**

MODEL

ET28 2+2

MATERIAL

PHENOLIC

TEL

021-66745473  
021-66716806

TOLERANCE

 $0 < L \leq 4 \quad \pm 0.1$   
 $4 < L \leq 16 \quad \pm 0.2$   
 $16 < L \leq 63 \quad \pm 0.3$   
 Pin pitch  $\pm 0.2$ 

SCALE

4/1

DRAW BY

CHECK BY

WEBSITE

selfelectronic.com

UNIT

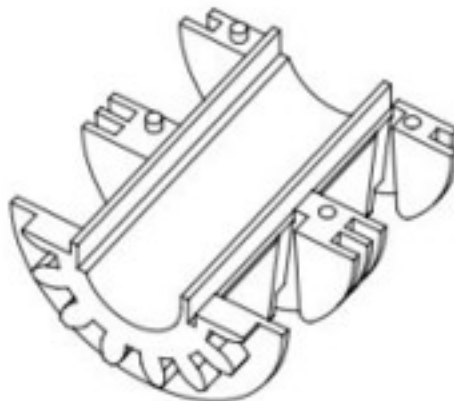
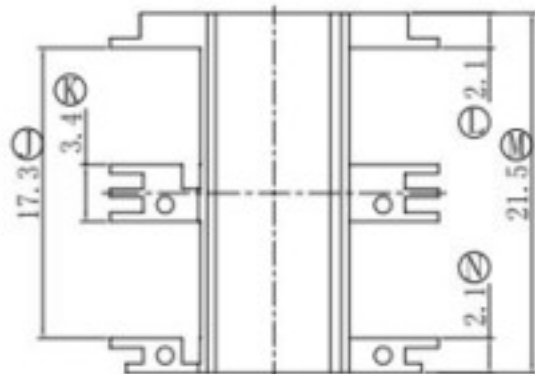
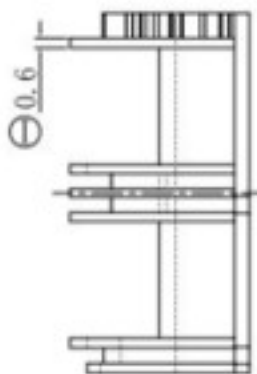
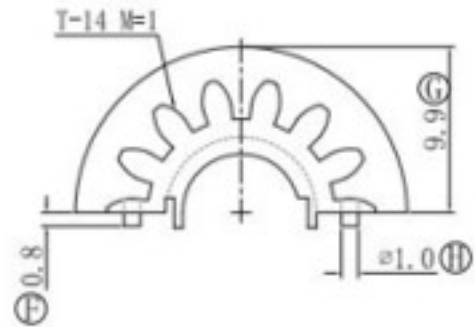
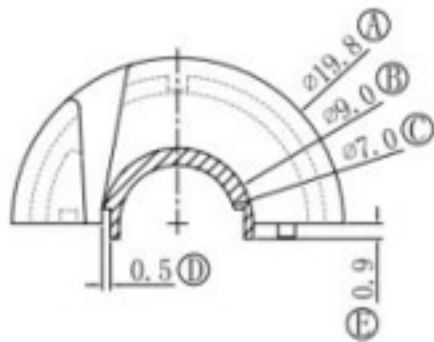
MM

DATE

2014.10.18

(TYPE)

011130281002002



**Self Electronic**

MODEL

ET28

MATERIAL

PHENOLIC

TEL

021-66745473  
021-66716806

TOLERANCE

SCALE

DRAW BY

FAX

021-66742368

0 < L ≤ 4 ±0.1  
4 < L ≤ 16 ±0.2  
16 < L ≤ 63 ±0.3

4/1

CHECK BY

WEBSITE

selfelectronic.com

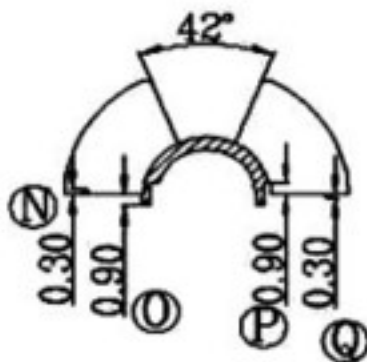
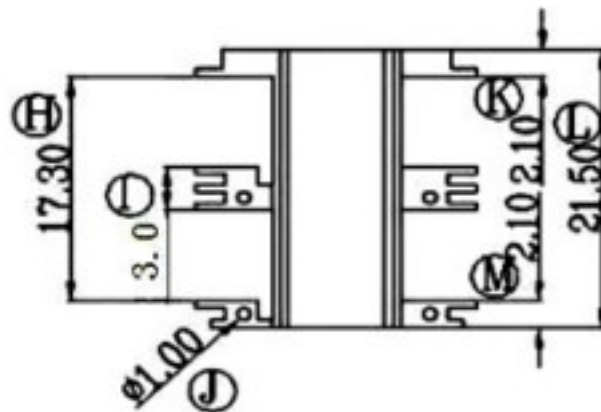
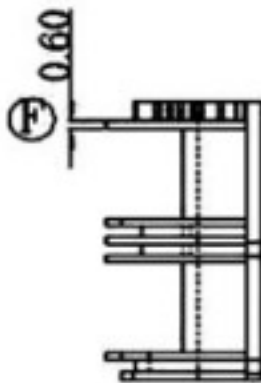
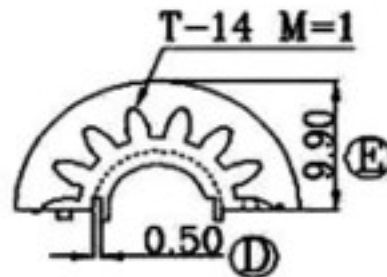
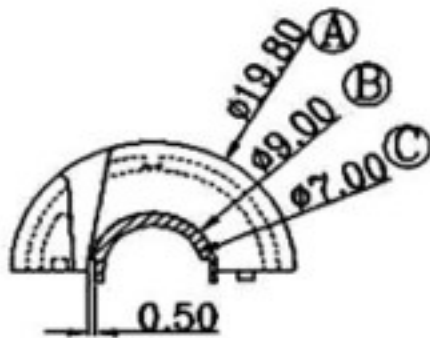
Pin pitch ±0.2

UNIT MM

DATE 2015.11.17

(TYPE)

010130281002002



**Self  
Electronic**

MODEL

ET28

MATERIAL

PBT

TEL

021-66745473  
021-66716806

TOLERANCE

SCALE

DRAW BY

FAX

021-66742368

0 < L ≤ 4 ±0.1  
4 < L ≤ 16 ±0.2  
16 < L ≤ 63 ±0.3  
Pin pitch ±0.2

4/1

CHECK BY

WEBSITE

selfelectronic.com

UNIT

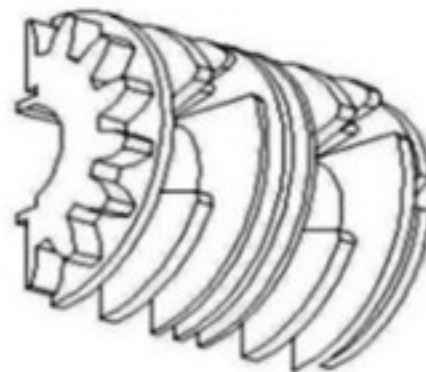
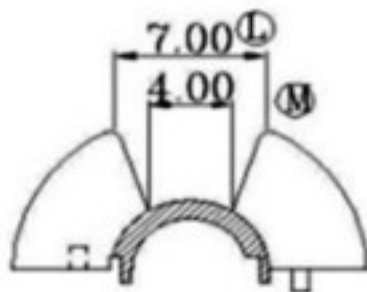
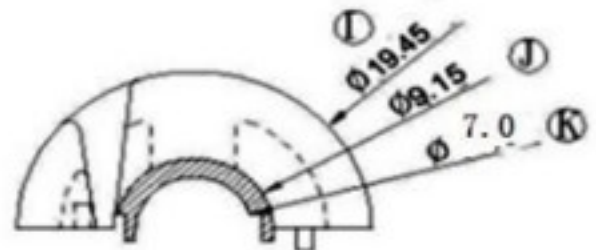
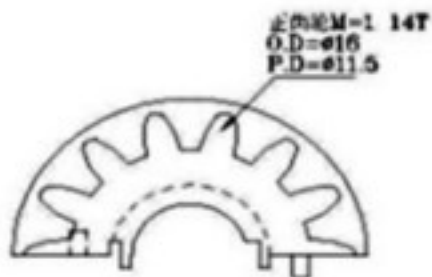
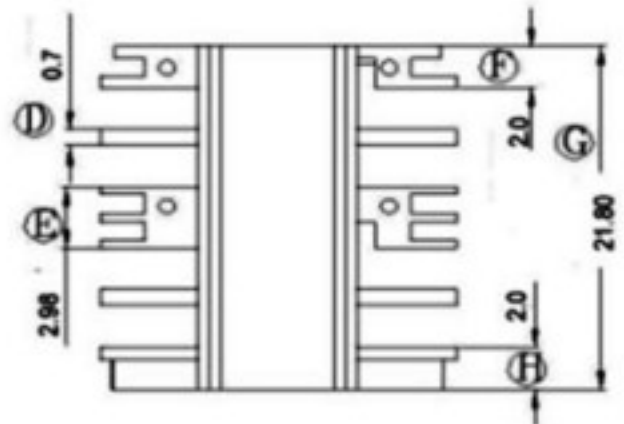
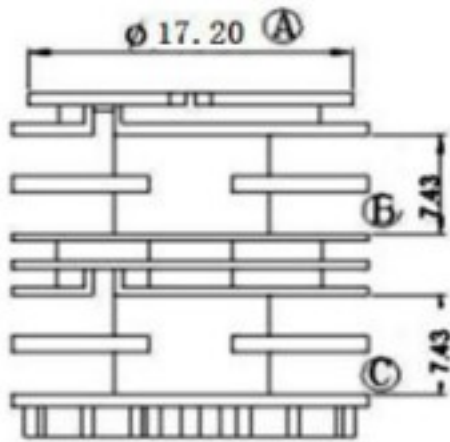
MM

DATE

2014.10.18

(TYPE)

010130281004002



**Self Electronic**

MODEL

ET28

MATERIAL

PBT

TEL

021-66745473  
021-66716806

TOLERANCE

SCALE

DRAW BY

FAX

021-66742368

0 < L ≤ 4 ±0.1

4 < L ≤ 16 ±0.2

16 < L ≤ 63 ±0.3

Pin pitch ±0.2

4/1

CHECK BY

WEBSITE

selfelectronic.com

UNIT

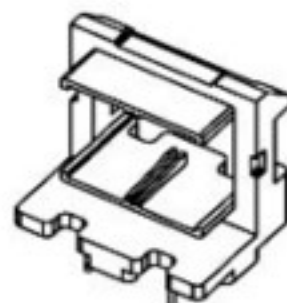
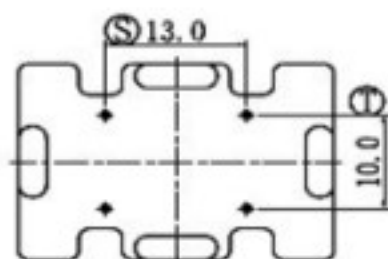
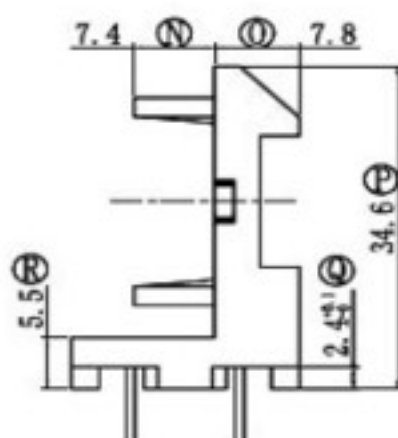
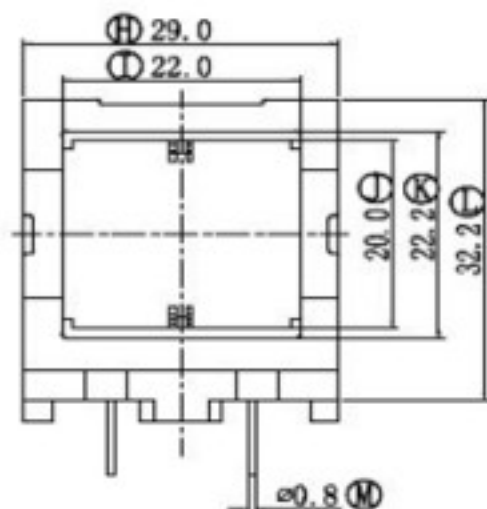
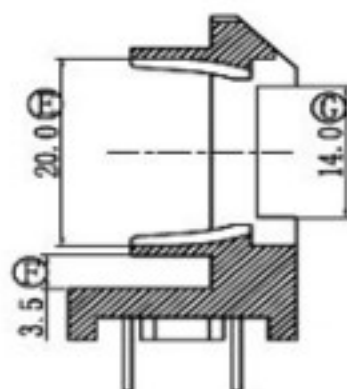
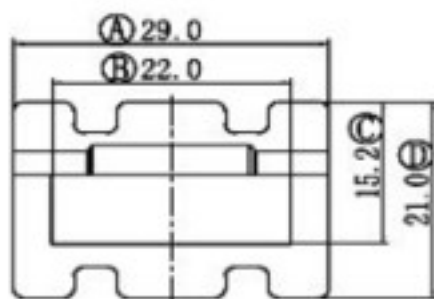
MM

DATE

2014.10.18

(TYPE)

011130281041001



### Self Electronic

MODEL

ET28 2+2

MATERIAL

PHENOLIC

TEL

021-66745473  
021-66716806

TOLERANCE

SCALE

DRAW BY

FAX

021-66742368

0 < L ≤ 4 ±0.1  
4 < L ≤ 16 ±0.2

4/1

CHECK BY

WEBSITE

selfelectronic.com

16 < L ≤ 63 ±0.3  
Pin pitch ±0.2

UNIT

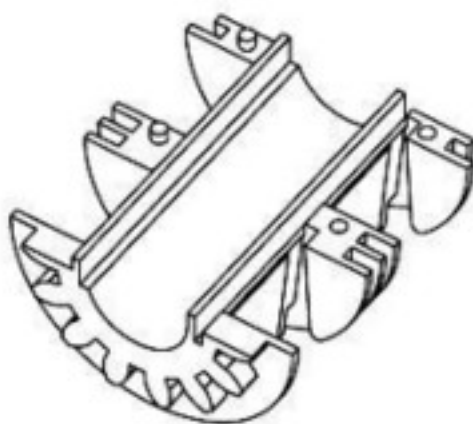
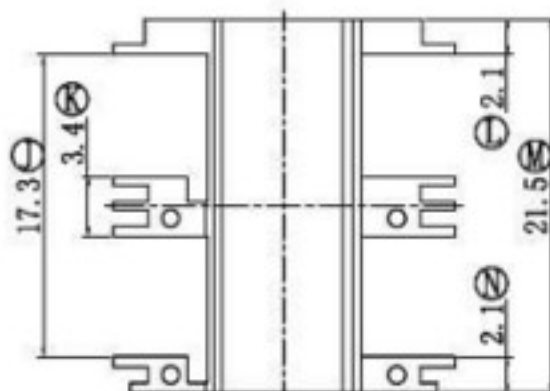
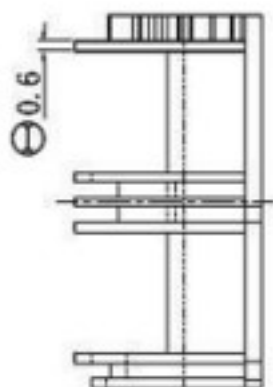
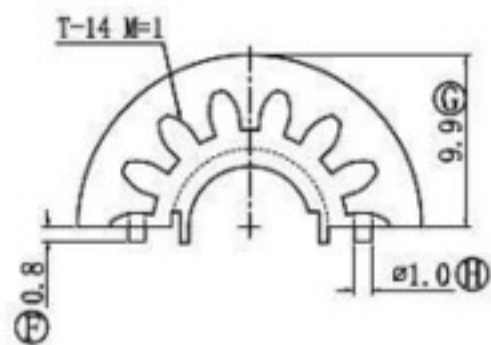
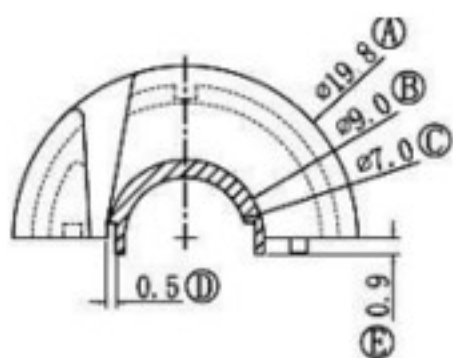
MM

DATE

2014.10.10

(TYPE)

011130281002002



**Self  
Electronic**

MODEL

ET28

MATERIAL

PHENOLIC

TEL

021-66745473  
021-66716806

TOLERANCE

SCALE

DRAW BY

FAX

021-66742368

 $0 < L \leq 4 \quad \pm 0.1$   
 $4 < L \leq 16 \quad \pm 0.2$ 

4/1

CHECK BY

WEBSITE

selfelectronic.com

 $16 < L \leq 63 \quad \pm 0.3$   
 Pin pitch  $\pm 0.2$ 

UNIT

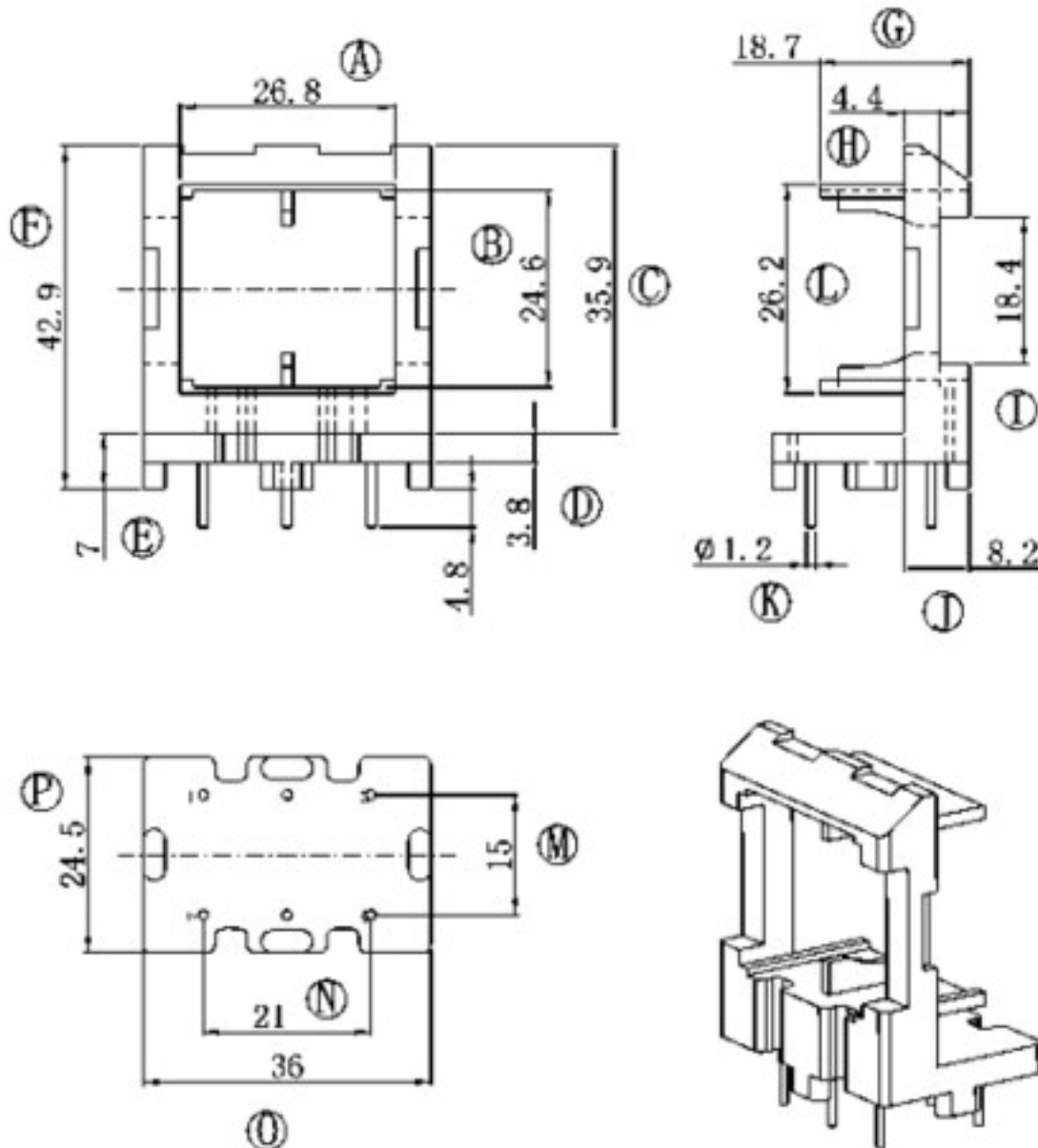
MM

DATE

2014.10.10

(TYPE)

064130351061001



**Self  
Electronic**

MODEL

ET35

3+3

MATERIAL

PHENOLIC

TEL

021-66745473  
021-66716806

TOLERANCE

SCALE

DRAW BY

FAX

021-66742368

 $0 < L \leq 4 \quad \pm 0.1$   
 $4 < L \leq 16 \quad \pm 0.2$ 

4/1

CHECK BY

WEBSITE

selfelectronic.com

 $16 < L \leq 63 \quad \pm 0.3$   
 Pin pitch  $\pm 0.2$ 

UNIT

MM

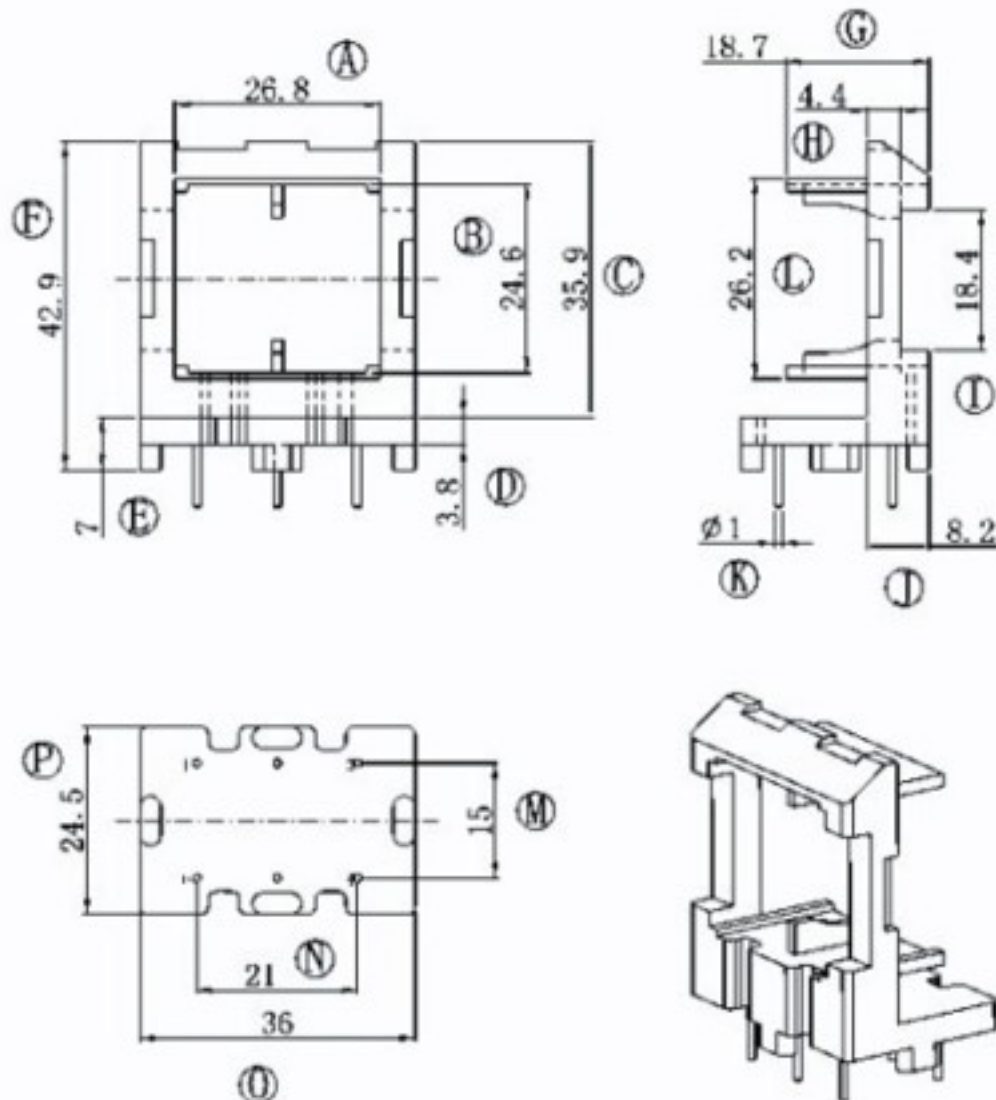
DATE

2014.10.18



(TYPE)

082130351061001



### Self Electronic

MODEL

ET35 3+3

MATERIAL

PHENOLIC

TEL

021-66745473  
021-66716806

TOLERANCE

SCALE

DRAW BY

FAX

021-66742368

0 &lt; L ≤ 4 ±0.1

4 &lt; L ≤ 16 ±0.2

16 &lt; L ≤ 63 ±0.3

Pin pitch ±0.2

4/1

CHECK BY

WEBSITE

selfelectronic.com

UNIT

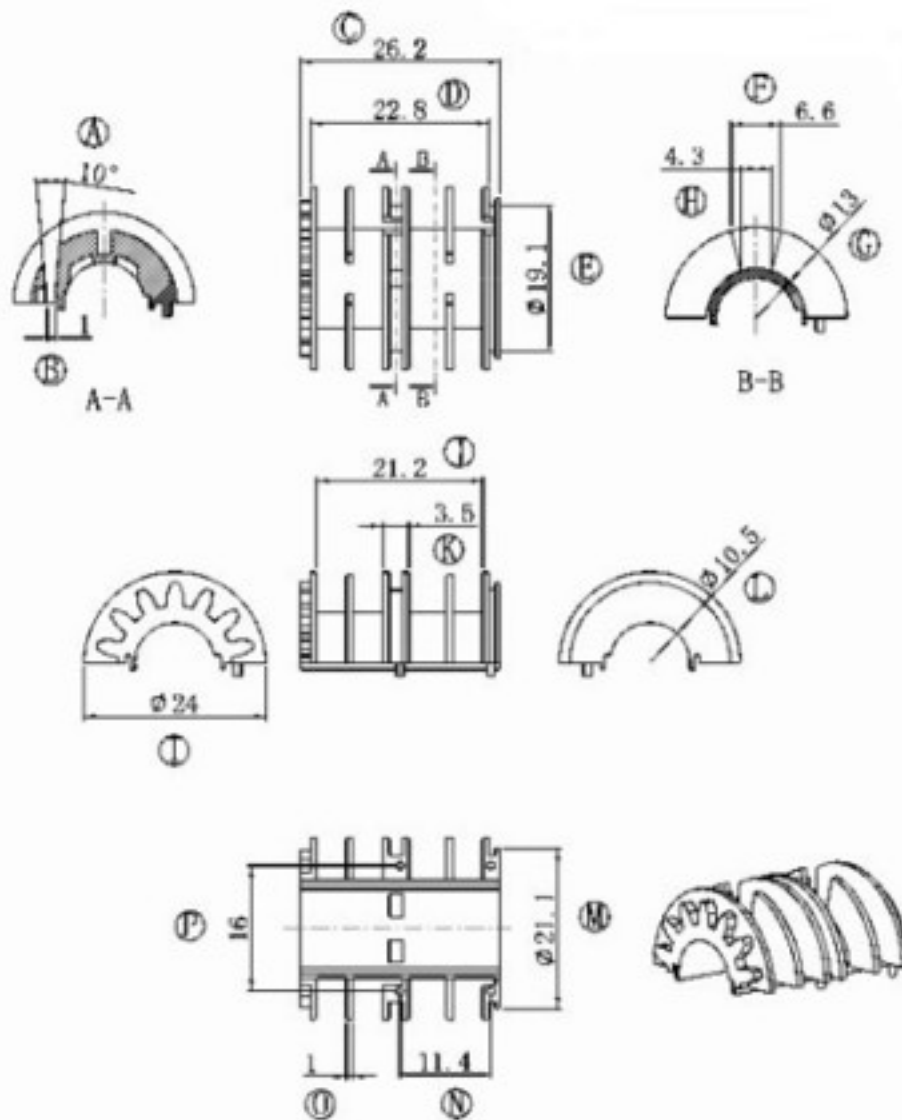
MM

DATE

2015.11.17

型号 (TYPE)

082130351004001



**Self  
Electronic**

MODEL

ET35

MATERIAL

PBT

TEL

021-66745473  
021-66716806

TOLERANCE

SCALE

DRAW BY

FAX

021-66742368

0 < L ≤ 4 ±0.1  
4 < L ≤ 16 ±0.2  
16 < L ≤ 63 ±0.3  
Pin pitch ±0.2

4/1

CHECK BY

WEBSITE

selfelectronic.com

UNIT

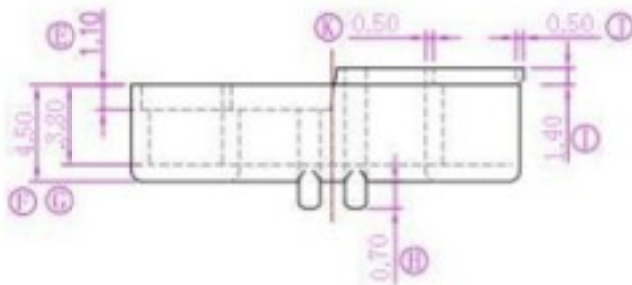
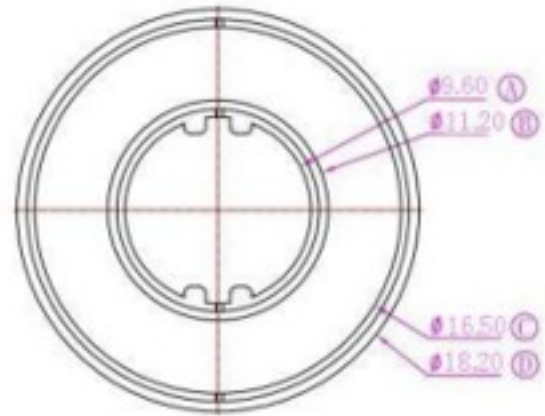
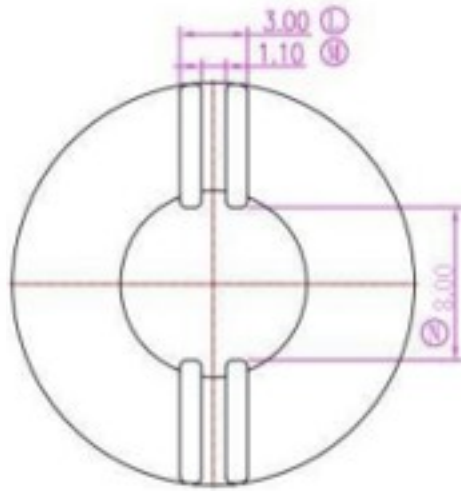
MM

DATE

2015.11.17

(TYPE)

026240161001001



**Self  
Electronic**

MODEL

T16

MATERIAL

PP

TEL

021-66745473  
021-66716806

TOLERANCE

SCALE

DRAW BY

FAX

021-66742368

0 < L ≤ 4 ±0.1  
4 < L ≤ 16 ±0.2

4/1

CHECK BY

WEBSITE

selfelectronic.com

16 < L ≤ 63 ±0.3  
Pin pitch ±0.2

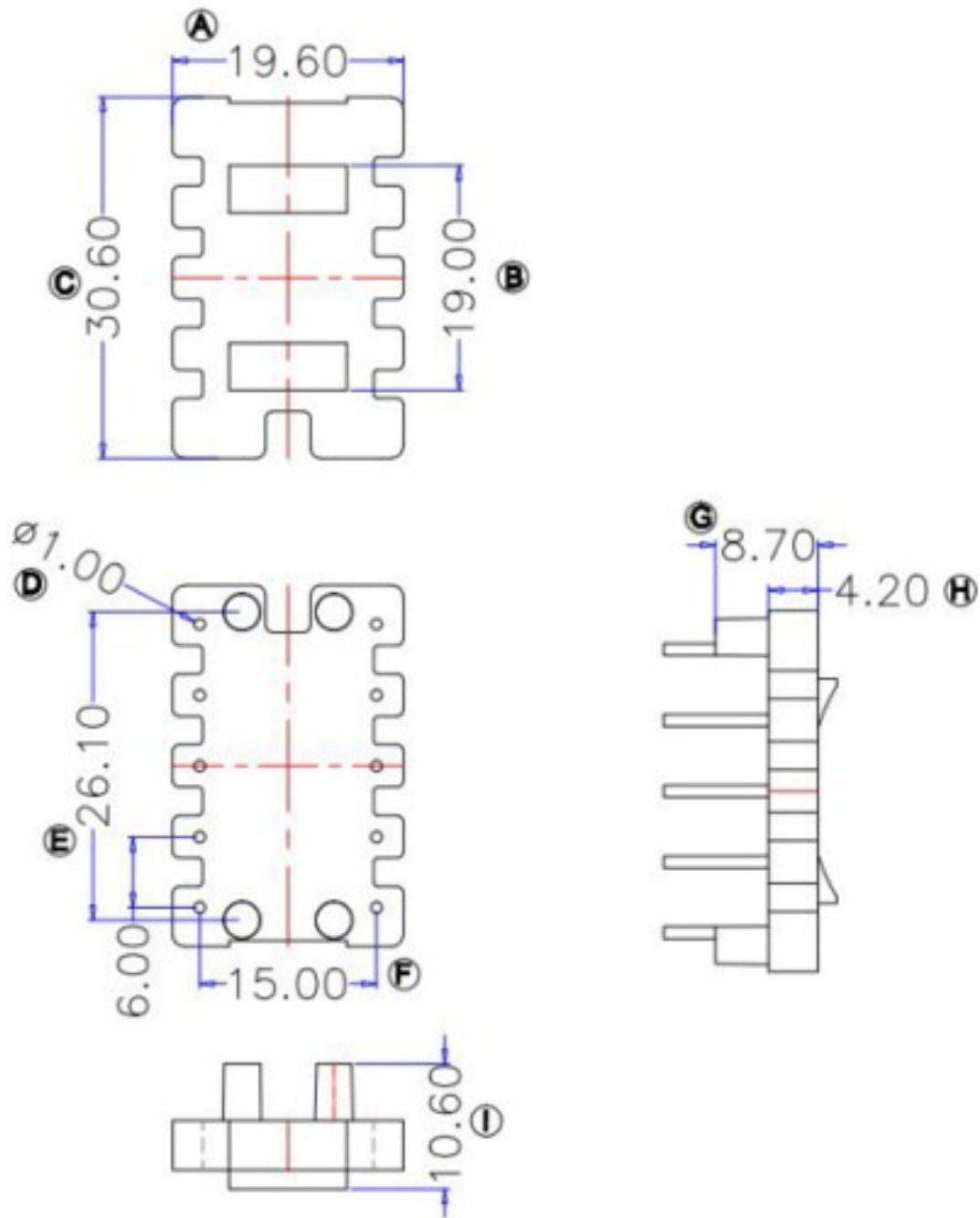
UNIT MM

DATE

2014.10.18

(TYPE)

031240191001001



### Self Electronic

MODEL NAME

BASE-019  
(30.6\*19.6 5+5)

MATERIAL

PHENOLIC

TEL

021-66745473  
021-66716806

TOLERANCE

 $0 < L \leq 4 \quad \pm 0.1$   
 $4 < L \leq 16 \quad \pm 0.2$   
 $16 < L \leq 63 \quad \pm 0.3$   
 Pin pitch  $\pm 0.2$ 

SCALE

DRAW BY

FAX

021-66742368

4/1

CHECK BY

WEBSITE

selfelectronic.com

UNIT

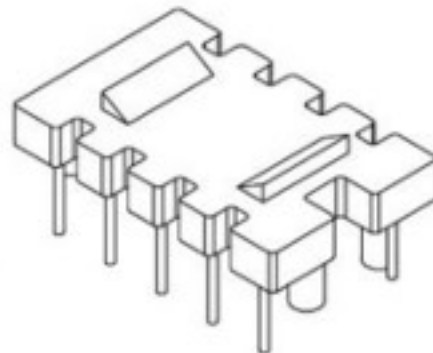
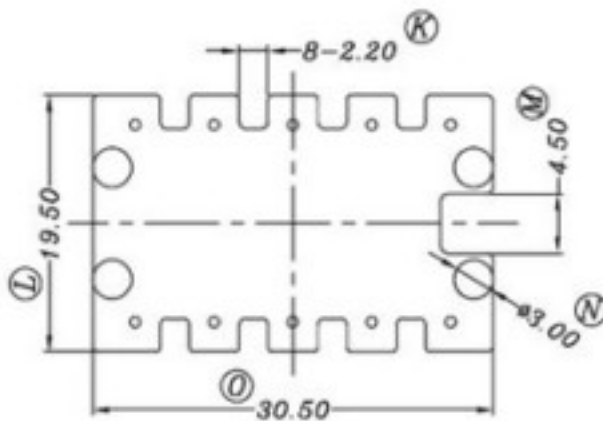
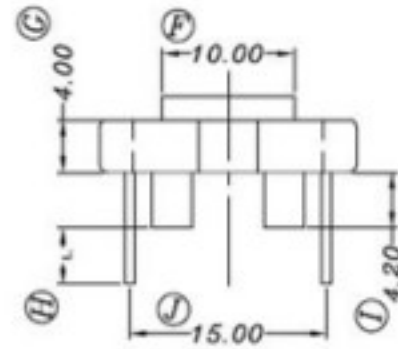
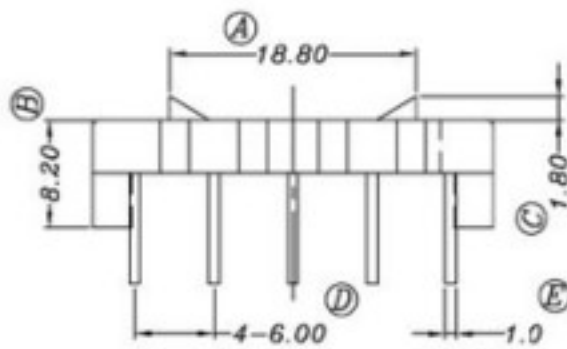
MM

DATE

2015.11.16

(TYPE)

010240300191001



### Self Electronic

MODEL

BASE-30\*19(5+5)

MATERIAL

PHENOLIC

TEL

021-66745473  
021-66716806

TOLERANCE

SCALE

DRAW BY

FAX

021-66742368

0 &lt; L ≤ 4 ±0.1

4 &lt; L ≤ 16 ±0.2

16 &lt; L ≤ 63 ±0.3

Pin pitch ±0.2

4/1

CHECK BY

WEBSITE

selfelectronic.com

UNIT

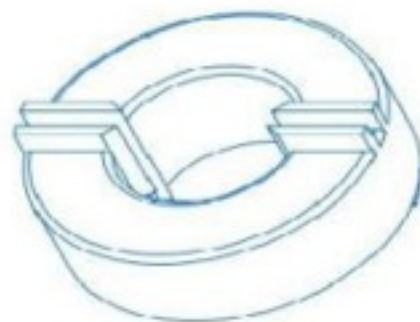
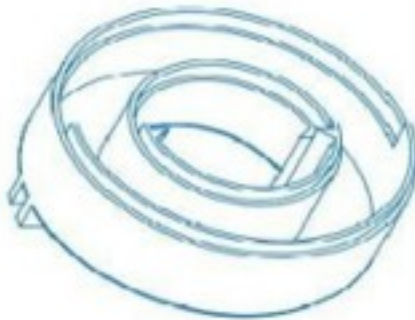
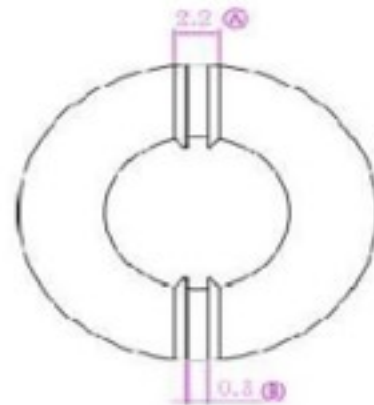
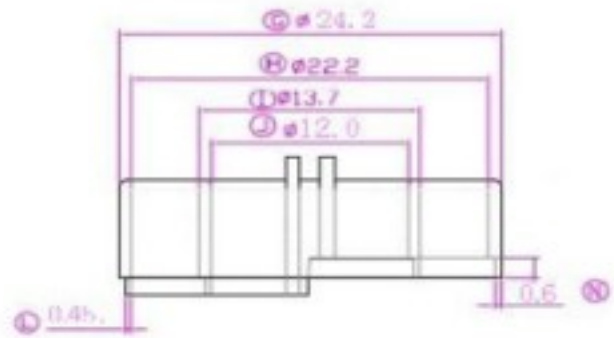
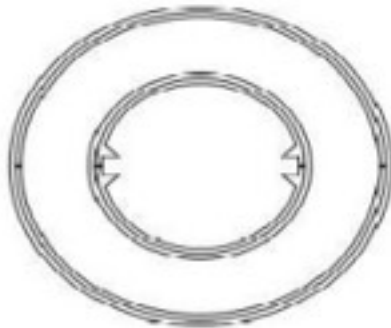
MM

DATE

2015.11.16

(TYPE)

026240221001001



**Self Electronic**

MODEL

T22

MATERIAL

PP

TEL

021-66745473  
021-66716806

TOLERANCE

SCALE

DRAW BY

FAX

021-66742368

$0 < L \leq 4$   $\pm 0.1$

$4 < L \leq 16$   $\pm 0.2$

$16 < L \leq 63$   $\pm 0.3$

Pin pitch  $\pm 0.2$

4/1

CHECK BY

WEBSITE

selfelectronic.com

UNIT

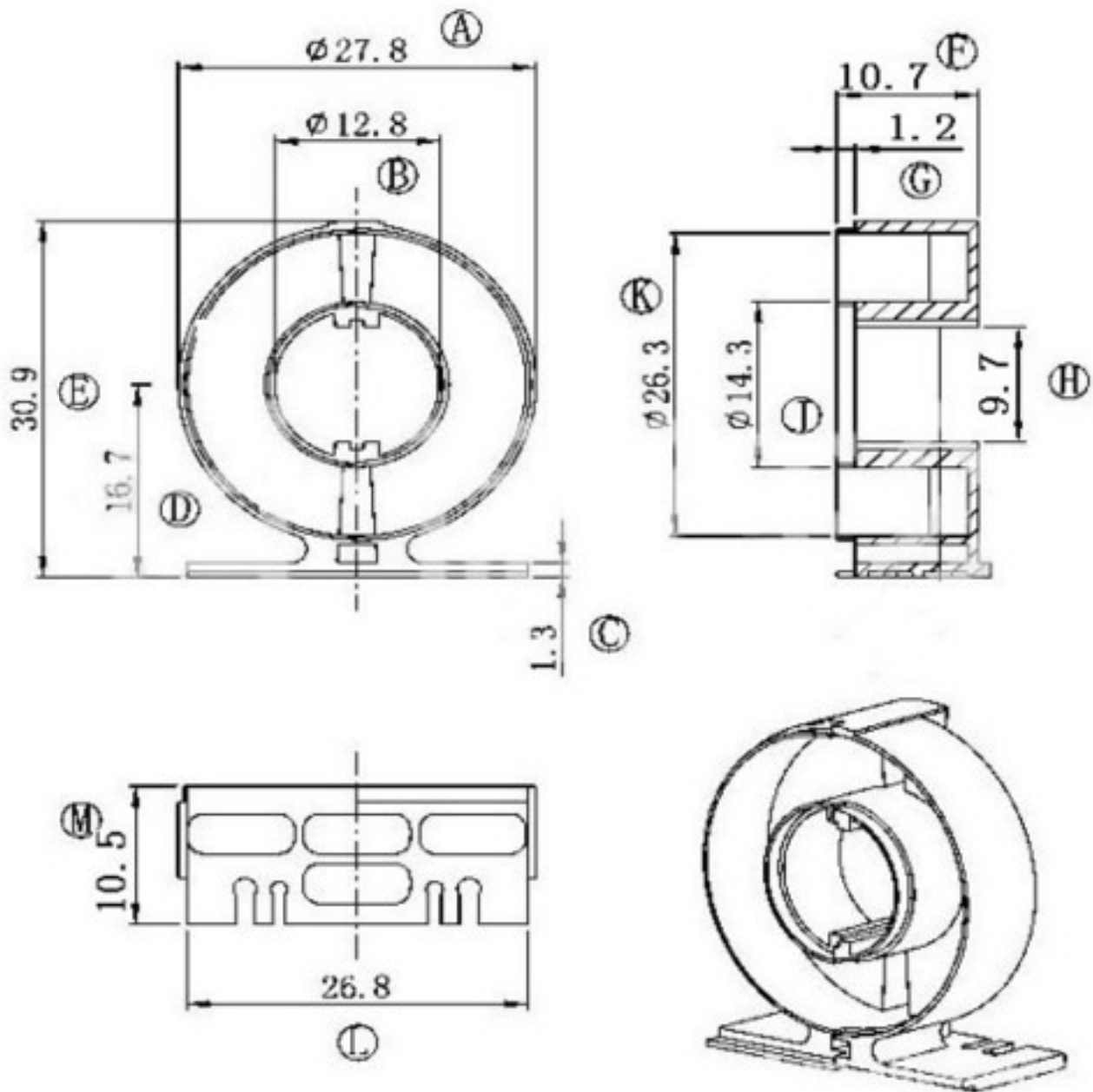
MM

DATE

2014.10.18

(TYPE)

026240251001002



**Self  
Electronic**

MODEL

T25

MATERIAL

... PP

TEL

021-66745473  
021-66716806

TOLERANCE

SCALE

DRAW BY

FAX

021-66742368

0 &lt; L ≤ 4 ±0.1

4 &lt; L ≤ 16 ±0.2

16 &lt; L ≤ 63 ±0.3

Pin pitch ±0.2

4/1

CHECK BY

WEBSITE

selfelectronic.com

UNIT

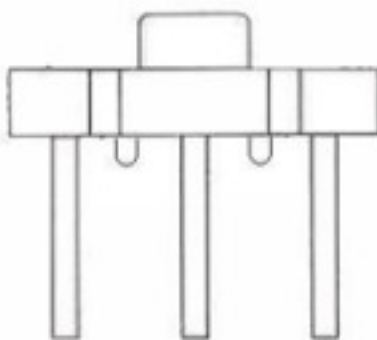
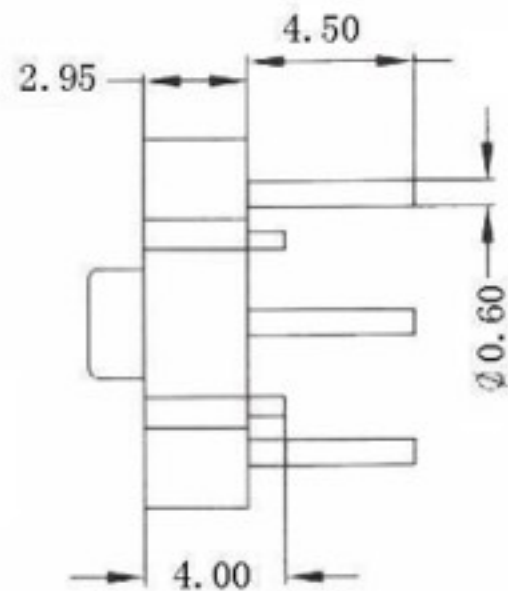
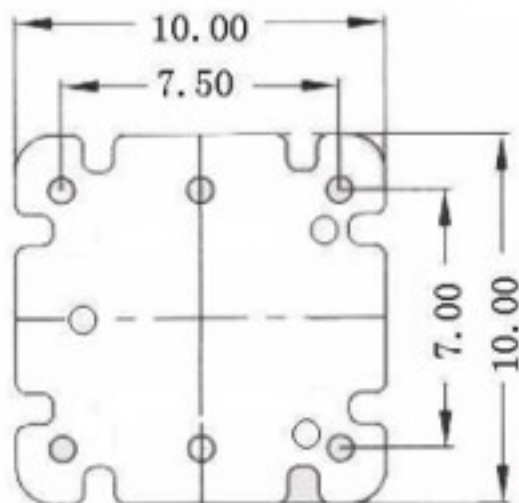
MM

DATE

2014.10.18

(TYPE)

001240100100601



### Self Electronic

MODEL

BASE-10\*10(3+3)

MATERIAL

PHENOLIC

TEL

021-66745473  
021-66716806

TOLERANCE

SCALE

DRAW BY

FAX

021-66742368

0 < L ≤ 4 ±0.1  
4 < L ≤ 16 ±0.2

4/1

CHECK BY |

WEBSITE

selfelectronic.com

16 < L ≤ 63 ±0.3  
Pin pitch ±0.2

UNIT

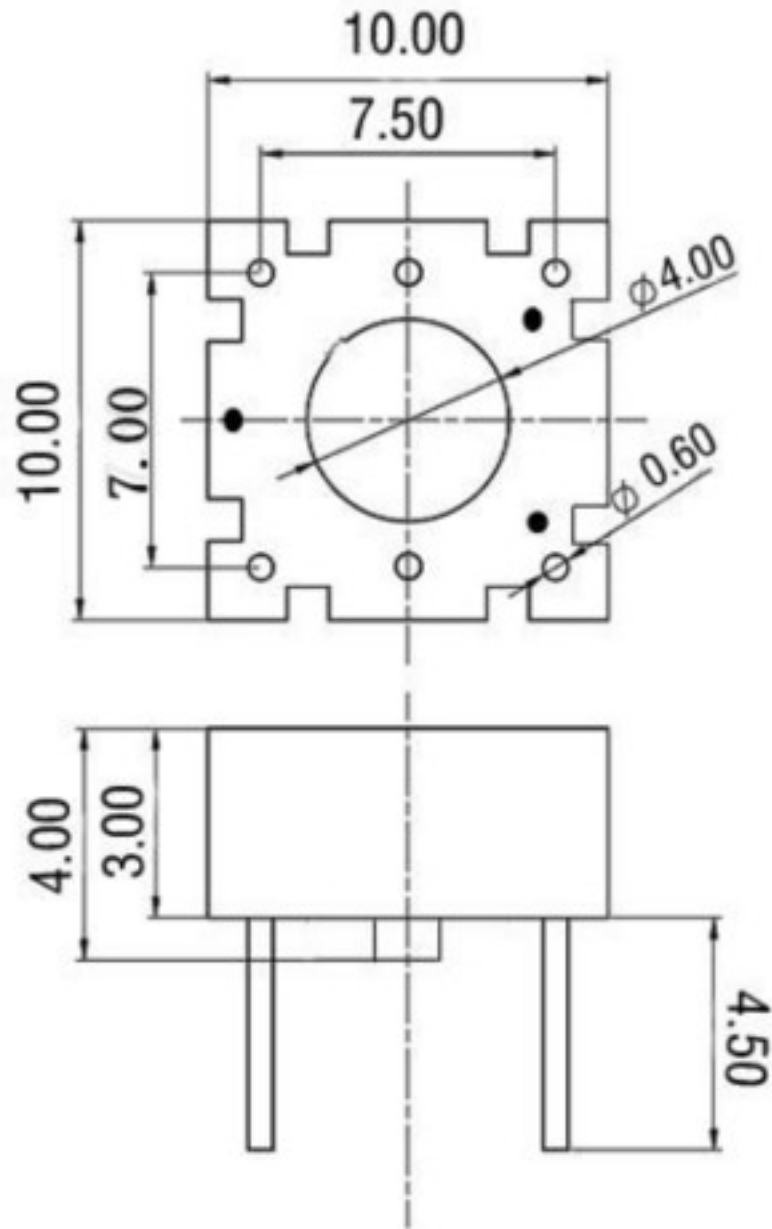
MM

DATE

2014.10.18



(TYPE) 001240100100604



**Self  
Electronic**

MODEL

BASE-10\*10(3+3)

MATERIAL

PHENOLIC

TEL

021-66745473  
021-66716806

TOLERANCE

SCALE

DRAW BY

FAX

021-66742368

$0 < L \leq 4$   $\pm 0.1$   
 $4 < L \leq 16$   $\pm 0.2$   
 $16 < L \leq 63$   $\pm 0.3$

4/1

CHECK BY

WEBSITE

selfelectronic.com

Pin pitch  $\pm 0.2$

UNIT

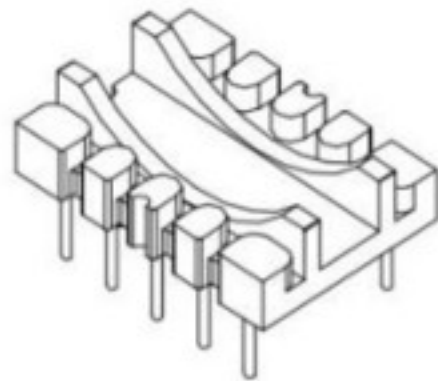
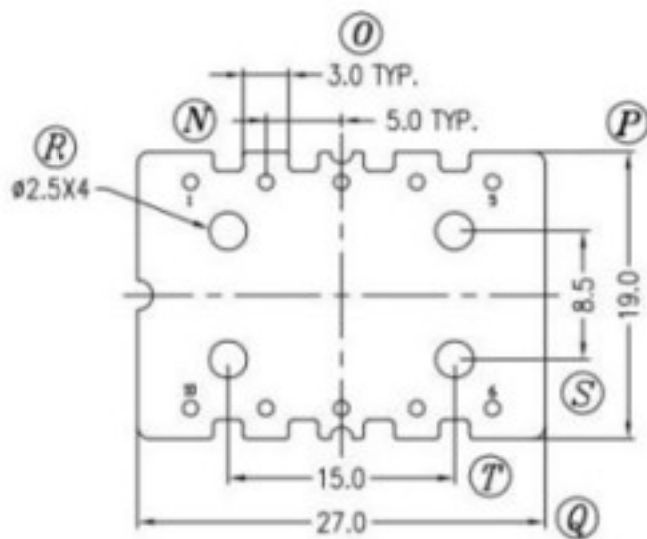
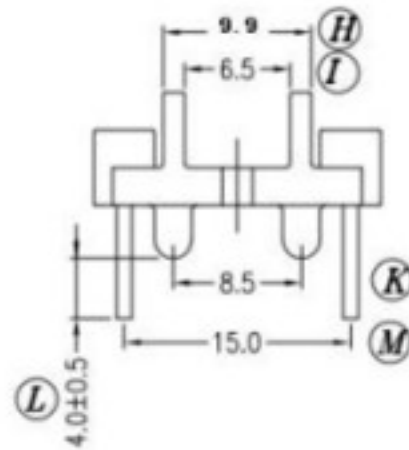
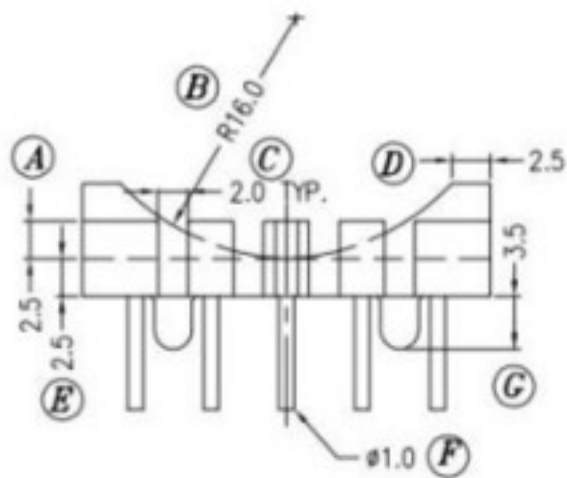
MM

DATE

2014.10.18

(TYPE)

010240270191001



### Self Electronic

MODEL

BASE-27\*19(5+5)

MATERIAL

PHENOLIC

TEL

021-66745473  
021-66716806

TOLERANCE

SCALE

DRAW BY

FAX

021-66742368

0 &lt; L ≤ 4 ±0.1

4 &lt; L ≤ 16 ±0.2

16 &lt; L ≤ 63 ±0.3

Pin pitch ±0.2

4/1

CHECK BY

WEBSITE

selfelectronic.com

UNIT

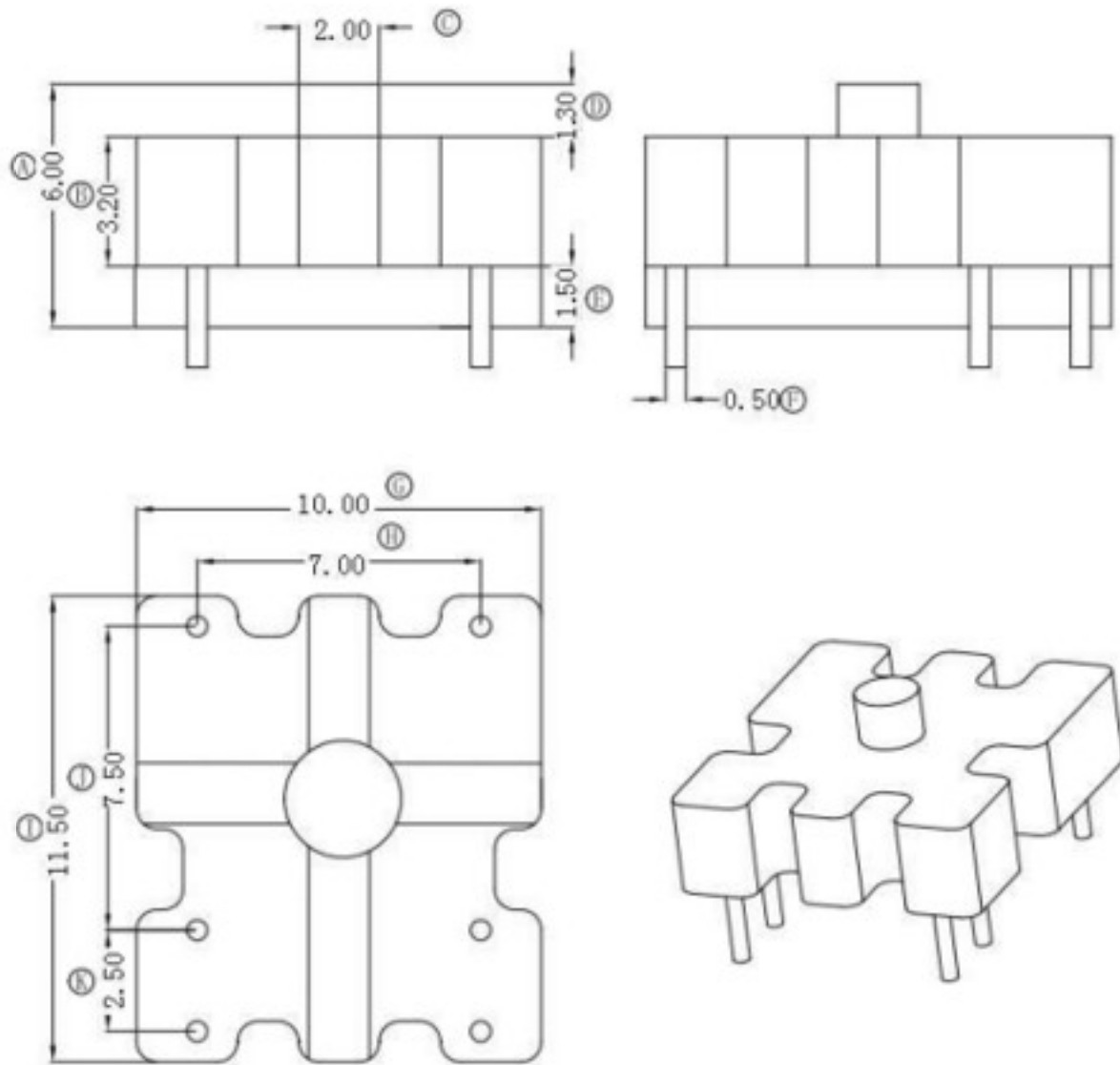
MM

DATE

2014.10.18

(TYPE)

072240100100601



### Self Electronic

MODEL

BASE-10\*10

MATERIAL

PHENOLIC

TEL

021-66745473  
021-66716806

TOLERANCE

SCALE

DRAW BY

FAX

021-66742368

0 &lt; L ≤ 4 ±0.1

4 &lt; L ≤ 16 ±0.2

16 &lt; L ≤ 63 ±0.3

Pin pitch ±0.2

4/1

CHECK BY

WEBSITE

selfelectronic.com

UNIT

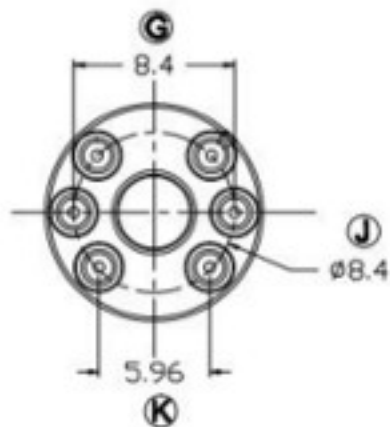
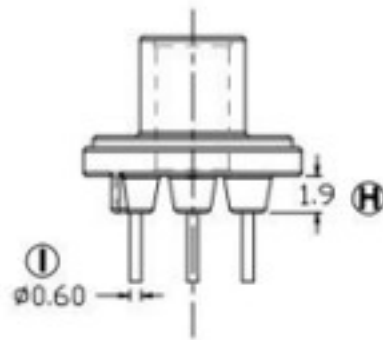
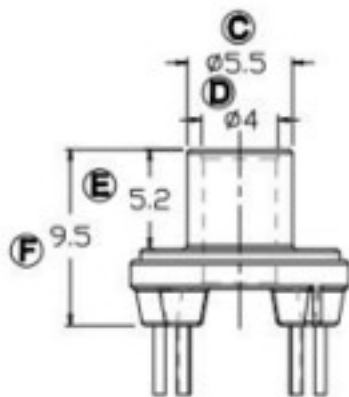
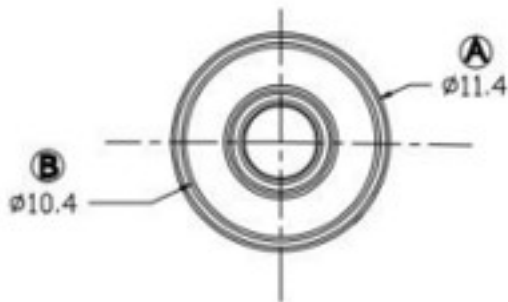
MM

DATE

2014.10.18

(TYPE)

031240011000601



**Self  
Electronic**

MODEL

BASE-01

MATERIAL

PHENOLIC

TEL

021-66745473  
021-66716806

TOLERANCE

SCALE

DRABY

FAX

021-66742368

 $0 < L \leq 4 \quad \pm 0.1$   
 $4 < L \leq 16 \quad \pm 0.2$ 

4/1

CHECK BY

WEBSITE

selfelectronic.com

 $16 < L \leq 63 \quad \pm 0.3$   
 Pin pitch  $\pm 0.2$ 

UNIT

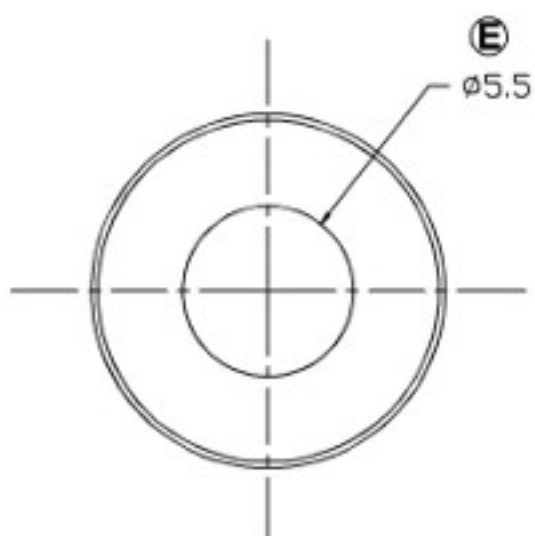
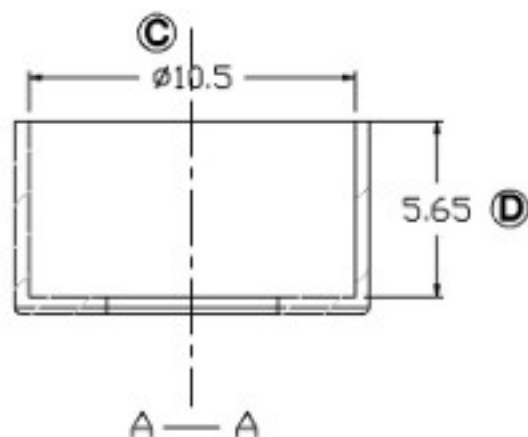
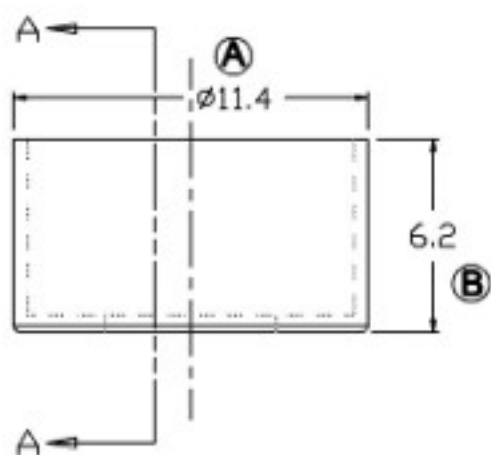
MM

DATE

2014.10.18

(TYPE)

031240011000001



**Self  
Electronic**

MODEL

BASE-02 ( BASE-01 )

MATERIAL

PHENOLIC

TEL

021-66745473  
021-66716806

TOLERANCE

SCALE

DRABY

FAX

021-66742368

 $0 < L \leq 4$   $\pm 0.1$   
 $4 < L \leq 16$   $\pm 0.2$ 

4/1

CHECK BY

WEBSITE

selfelectronic.com

 $16 < L \leq 63$   $\pm 0.3$   
 Pin pitch  $\pm 0.2$ 

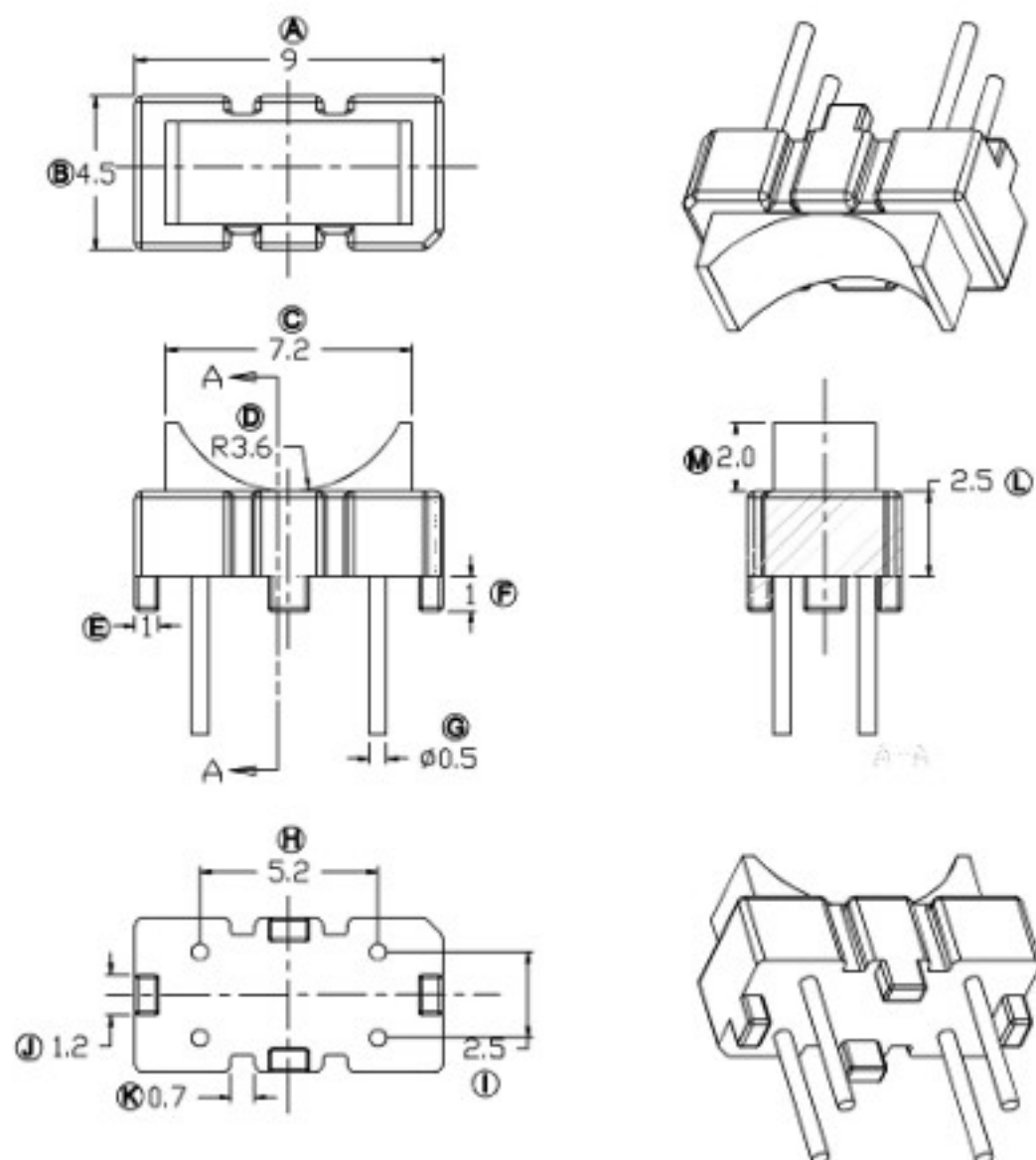
UNIT

MM

DATE

2014.10.18

(TYPE) 031240081000401



### Self Electronic

MODEL

BASE-08 (9\*4.5 2+2)

MATERIAL

PHENOLIC

TEL

021-66745473  
021-66716806

TOLERANCE

SCALE

DRABY

FAX

021-66742368

0 &lt; L ≤ 4 ±0.1

4 &lt; L ≤ 16 ±0.2

16 &lt; L ≤ 63 ±0.3

Pin pitch ±0.2

4/1

CHECK BY

WEBSITE

selfelectronic.com

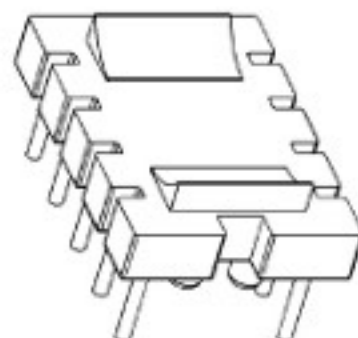
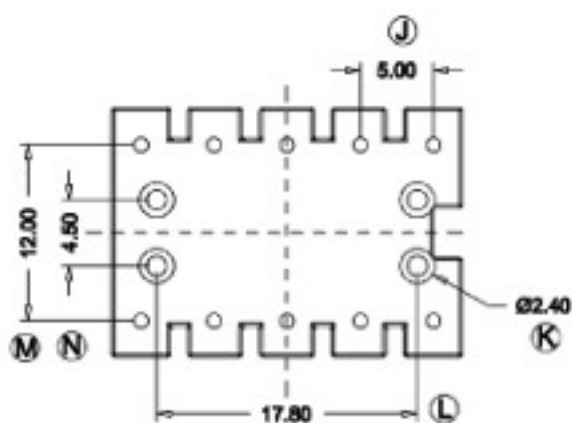
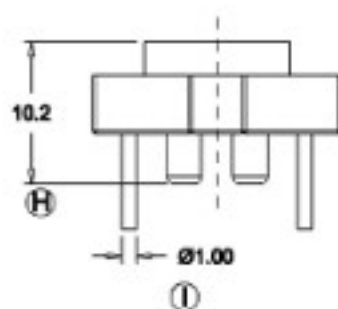
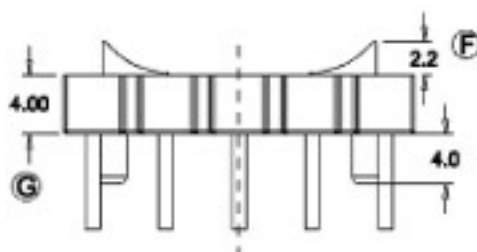
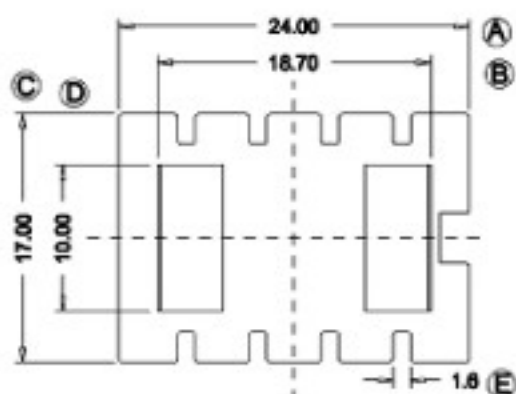
UNIT

MM

DATE

2014.10.18

(TYPE) 031240171001002



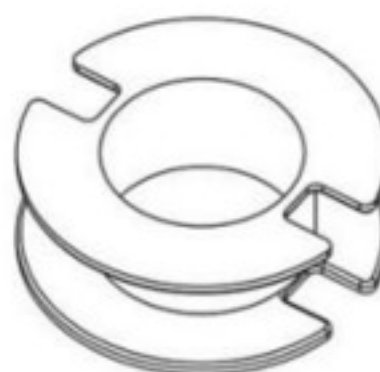
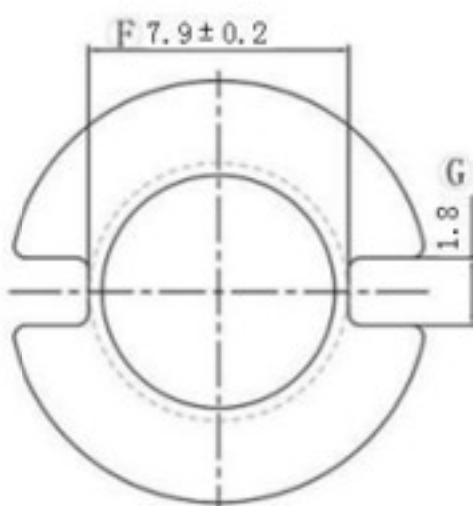
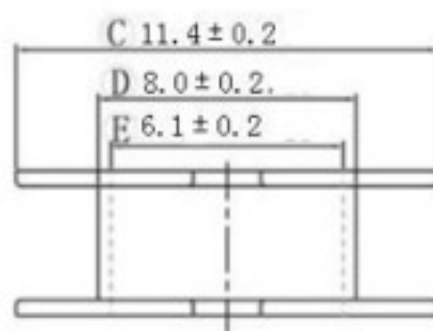
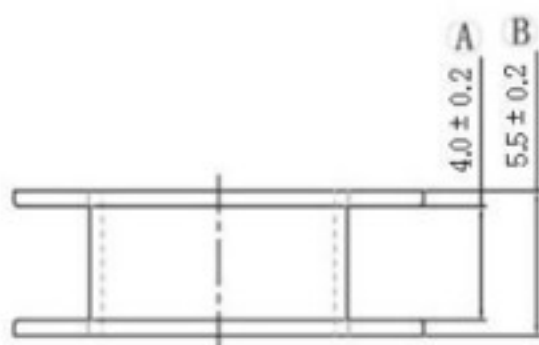
**Self Electronic**

MODEL	BASE-017 (24*17 5+5)		
MATERIAL	PHENOLIC		
SCALE	DRABY		
4/1	CHECK BY		
UNIT	MM	DATE	2014.10.18

TEL	021-66745473 021-66716806	TOLERANCE
FAX	021-66742368	0 < L ≤ 4 ±0.1 4 < L ≤ 16 ±0.2 16 < L ≤ 63 ±0.3 Pin pitch ±0.2
WEBSITE	selfelectronic.com	

(TYPE)

010150140000001



**Self  
Electronic**

MODEL

GU14/8

MATERIAL

PBT

TEL

021-66745473  
021-66716806

TOLERANCE

SCALE

DRAW BY

FAX

021-66742368

$0 < L \leq 4$   $\pm 0.1$   
 $4 < L \leq 16$   $\pm 0.2$   
 $16 < L \leq 63$   $\pm 0.3$   
Pin pitch  $\pm 0.2$

4/1

CHECK BY

WEBSITE

selfelectronic.com

UNIT

MM

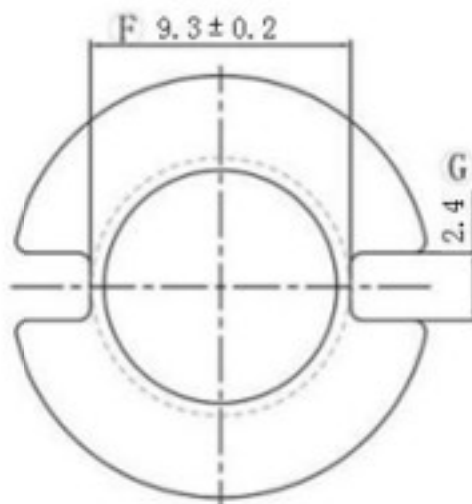
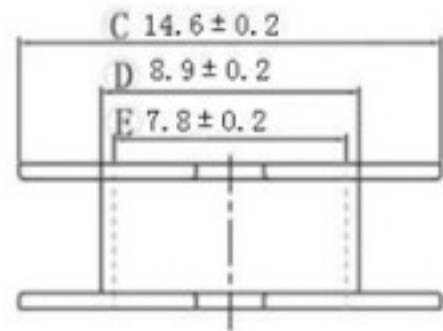
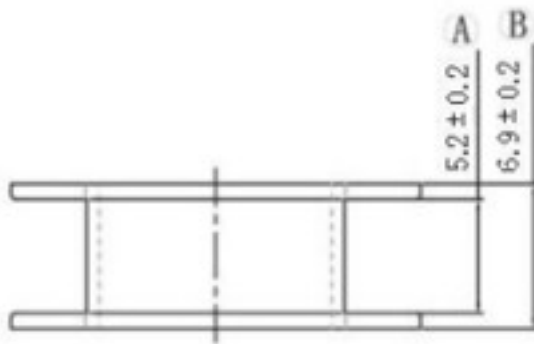
DATE

2014.10.18



(TYPE)

010150180000001



**Self  
Electronic**

MODEL

GU18/11

MATERIAL

PBT

TEL

021-66745473  
021-66716806

TOLERANCE

SCALE

DRAW BY

FAX

021-66742368

 $0 < L \leq 4 \quad \pm 0.1$   
 $4 < L \leq 16 \quad \pm 0.2$ 

4/1

CHECK BY

WEBSITE

selfelectronic.com

 $16 < L \leq 63 \quad \pm 0.3$   
 Pin pitch  $\pm 0.2$ 

UNIT

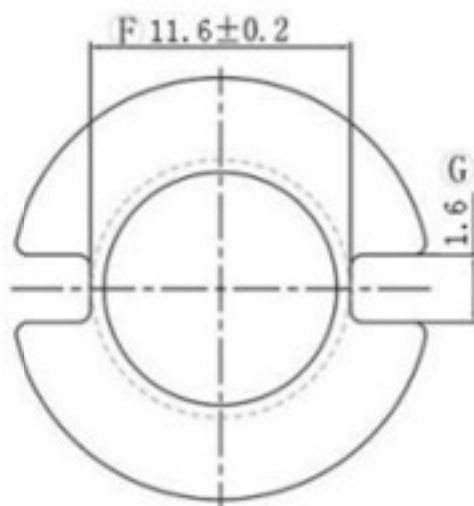
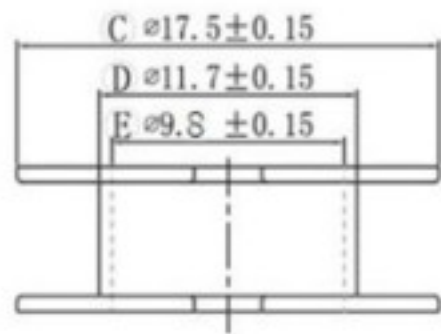
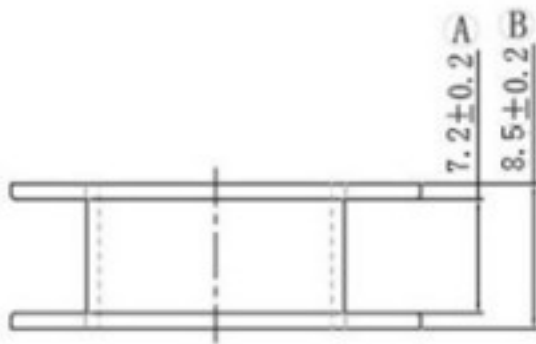
MM

DATE

2014.10.18

· (TYPE)

010150220000001



**Self  
Electronic**

MODEL

GU22/14

MATERIAL

PBT

TEL

021-66745473  
021-66716806

TOLERANCE

SCALE

DRAW BY

FAX

021-66742368

 $0 < L \leq 4 \quad \pm 0.1$   
 $4 < L \leq 16 \quad \pm 0.2$ 

4/1

CHECK BY

WEBSITE

selfelectronic.com

 $16 < L \leq 63 \quad \pm 0.3$   
 Pin pitch  $\pm 0.2$ 

UNIT

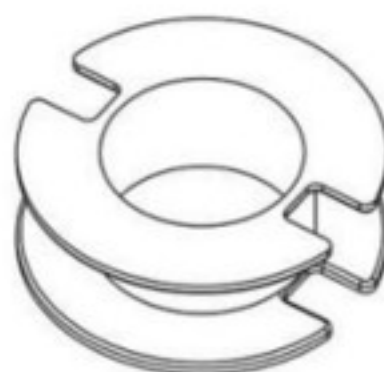
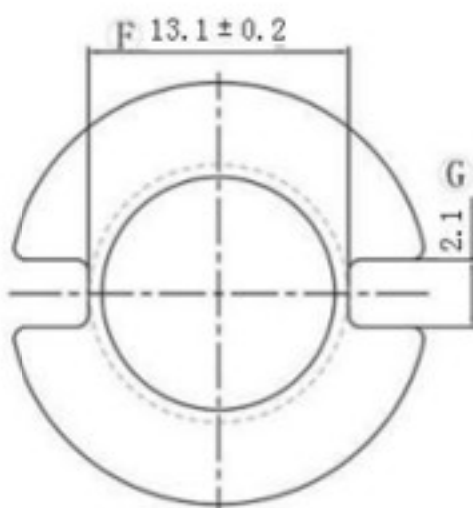
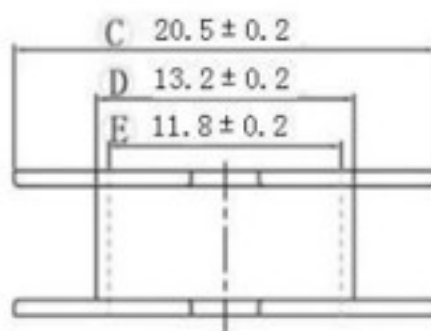
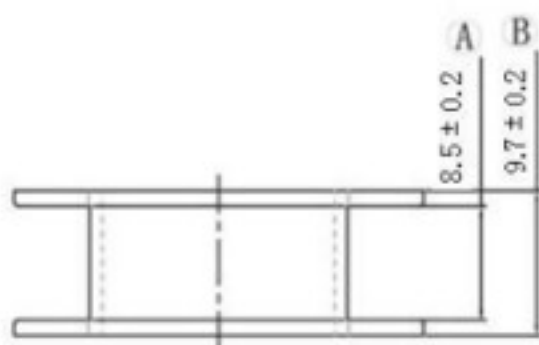
MM

DATE

2014.10.18

(TYPE)

010150260000001



**Self  
Electronic**

MODEL

GU26/16

MATERIAL

PBT

TEL

021-66745473  
021-66716806

TOLERANCE

SCALE

DRAW BY

FAX

021-66742368

 $0 < L \leq 4 \quad \pm 0.1$   
 $4 < L \leq 16 \quad \pm 0.2$ 

4/1

CHECK BY

WEBSITE

selfelectronic.com

 $16 < L \leq 63 \quad \pm 0.3$   
 Pin pitch  $\pm 0.2$ 

UNIT

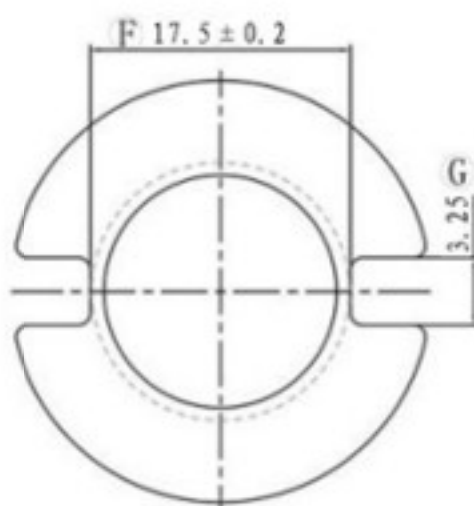
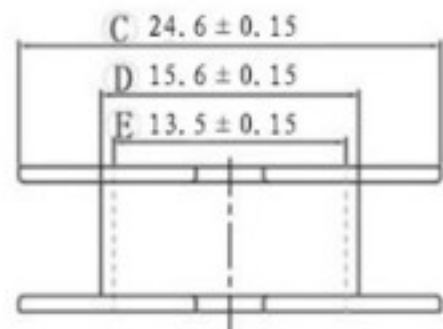
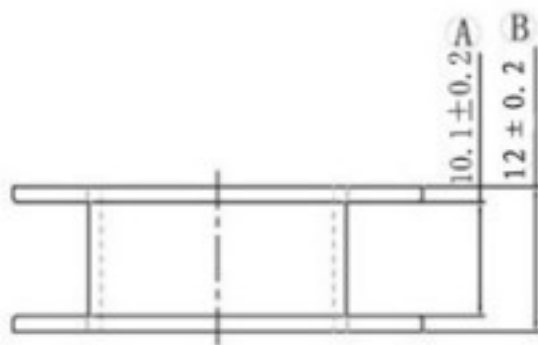
MM

DATE

2014.10.18

(TYPE)

010150300000001



**Self  
Electronic**

MODEL

GU30/20

MATERIAL

PBT

TEL

021-66745473  
021-66716806

TOLERANCE

SCALE

DRAW BY

FAX

021-66742368

 $0 < L \leq 4 \quad \pm 0.1$   
 $4 < L \leq 16 \quad \pm 0.2$ 

4/1

CHECK BY

WEBSITE

selfelectronic.com

 $16 < L \leq 63 \quad \pm 0.3$   
 Pin pitch  $\pm 0.2$ 

UNIT

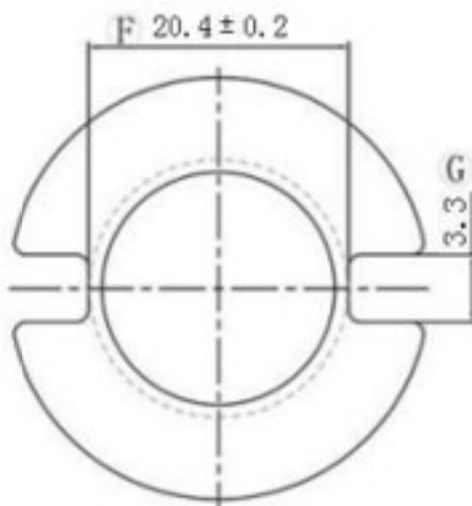
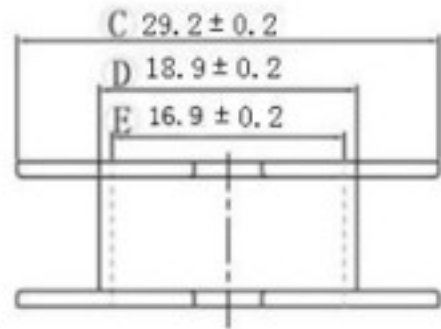
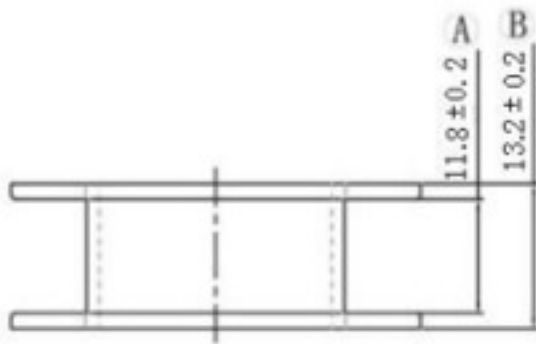
MM

DATE

2014.10.18

(TYPE)

010150360000001



**Self  
Electronic**

MODEL

GU36/22

MATERIAL

PBT

TEL

021-66745473  
021-66716806

TOLERANCE

SCALE

DRAW BY

FAX

021-66742368

 $0 < L \leq 4 \quad \pm 0.1$   
 $4 < L \leq 16 \quad \pm 0.2$ 

4/1

CHECK BY

WEBSITE

selfelectronic.com

 $16 < L \leq 63 \quad \pm 0.3$   
 Pin pitch  $\pm 0.2$ 

UNIT

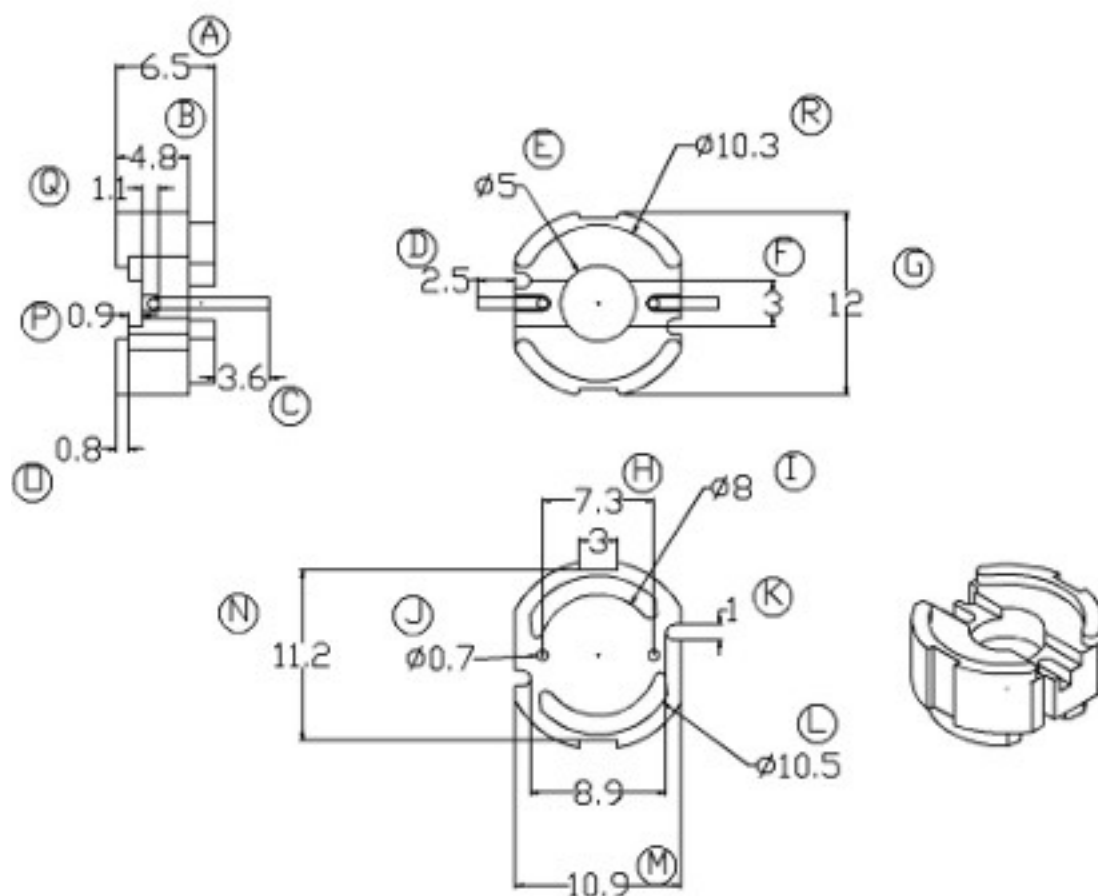
MM

DATE

2014.10.18

: (TYPE)

0312404001002001



**Self  
Electronic**

MODEL

10\*12 2P

MATERIAL

PHENOLIC

TEL

021-66745473  
021-66716806

TOLERANCE

SCALE

DRAW BY

FAX

021-66742368

0 < L ≤ 4 ±0.1  
4 < L ≤ 16 ±0.2

4/1

CHECK BY

WEBSITE

selfelectronic.com

16 < L ≤ 63 ±0.3  
Pin pitch ±0.2

UNIT

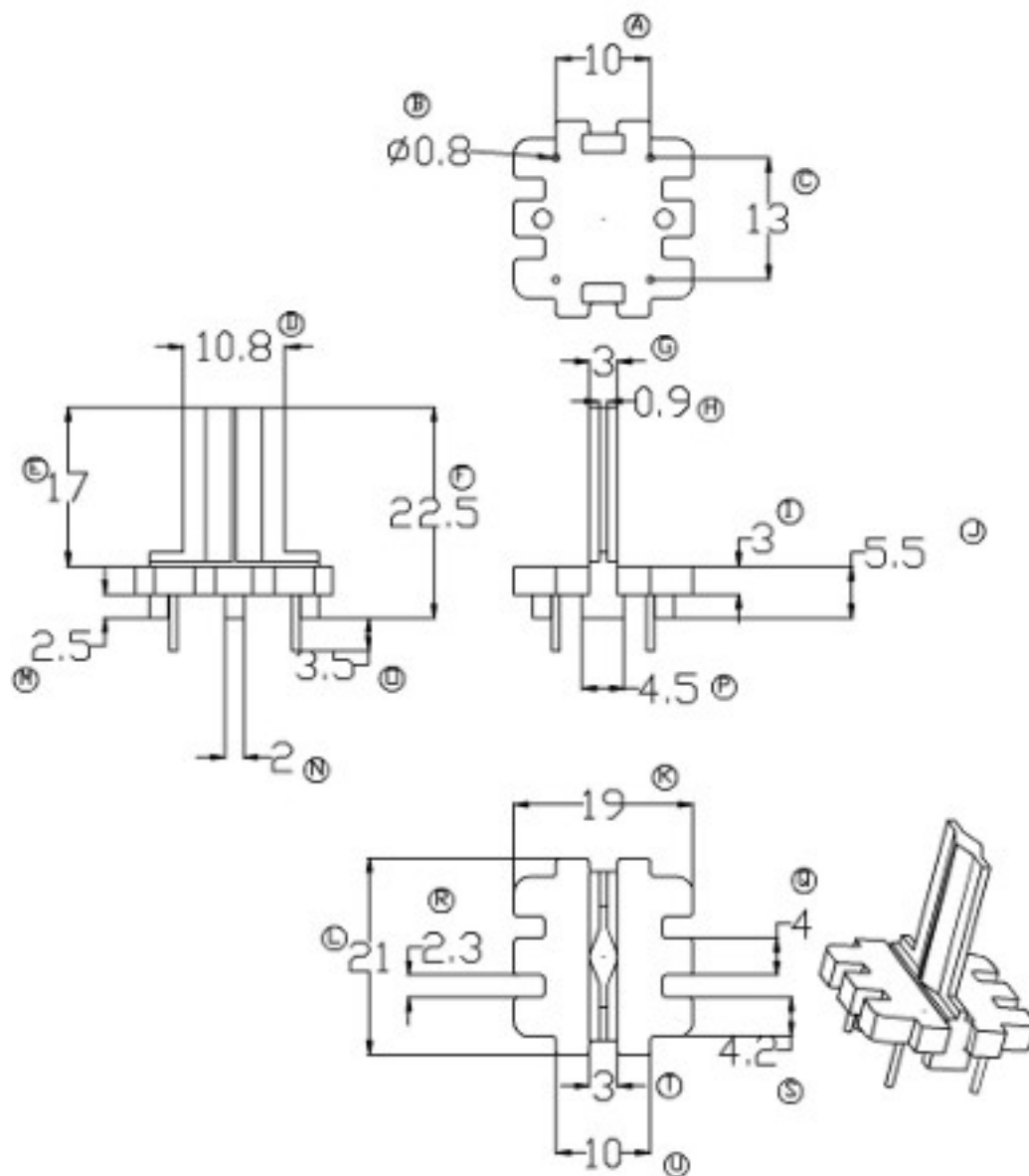
MM

DATE

2015.09.12

(TYPE)

031240391001006



### Self Electronic

MODEL

T19-13-11

MATERIAL

PHENOLIC

TEL

021-66745473  
021-66716806

TOLERANCE

SCALE

DRAW BY

FAX

021-66742368

 $0 < L \leq 4$   $\pm 0.1$   
 $4 < L \leq 16$   $\pm 0.2$   
 $16 < L \leq 63$   $\pm 0.3$   
 Pin pitch  $\pm 0.2$ 

4/1

CHECK BY

WEBSITE

selfelectronic.com

UNIT

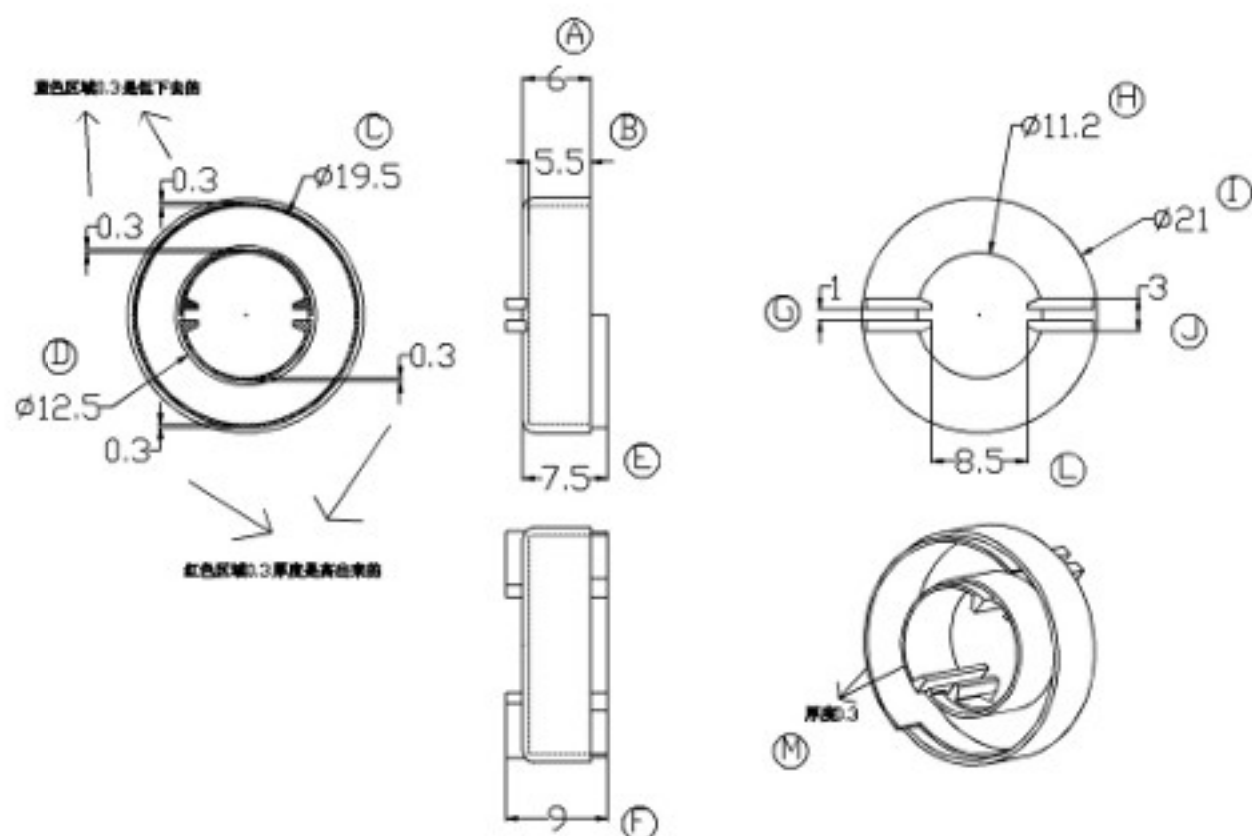
MM

DATE

2015.09.12

(TYPE)

031240391001005



**Self  
Electronic**

MODEL

T19\*13\*11

MATERIAL

PBT

TEL

021-66745473  
021-66716806

TOLERANCE

SCALE

DRAW BY

FAX

021-66742368

 $0 < L \leq 4 \quad \pm 0.1$   
 $4 < L \leq 16 \quad \pm 0.2$ 

4/1

CHECK BY

WEBSITE

selfelectronic.com

 $16 < L \leq 63 \quad \pm 0.3$   
 Pin pitch  $\pm 0.2$ 

UNIT

MM

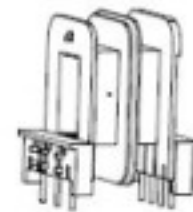
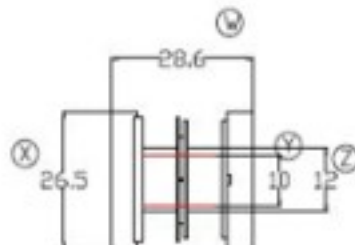
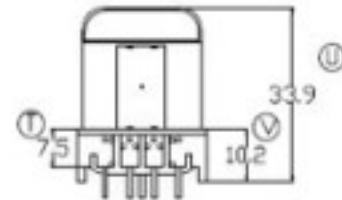
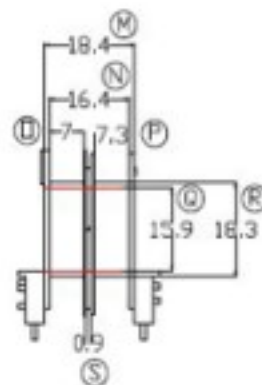
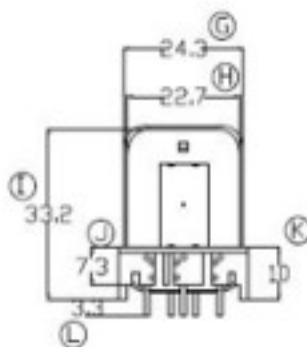
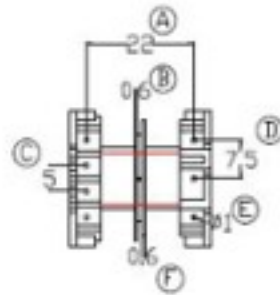
DATE

2015.09.12



(TYPE)

031050352072201



**Self  
Electronic**

MODEL

EI-35 ..

MATERIAL

PBT

TEL

021-66745473  
021-66716806

TOLERANCE

SCALE

DRAW BY

FAX

021-66742368

 $0 < L \leq 4 \quad \pm 0.1$   
 $4 < L \leq 16 \quad \pm 0.2$   
 $16 < L \leq 63 \quad \pm 0.3$   
 Pin pitch  $\pm 0.2$ 

4/1

CHECK BY

WEBSITE

selfelectronic.com

UNIT

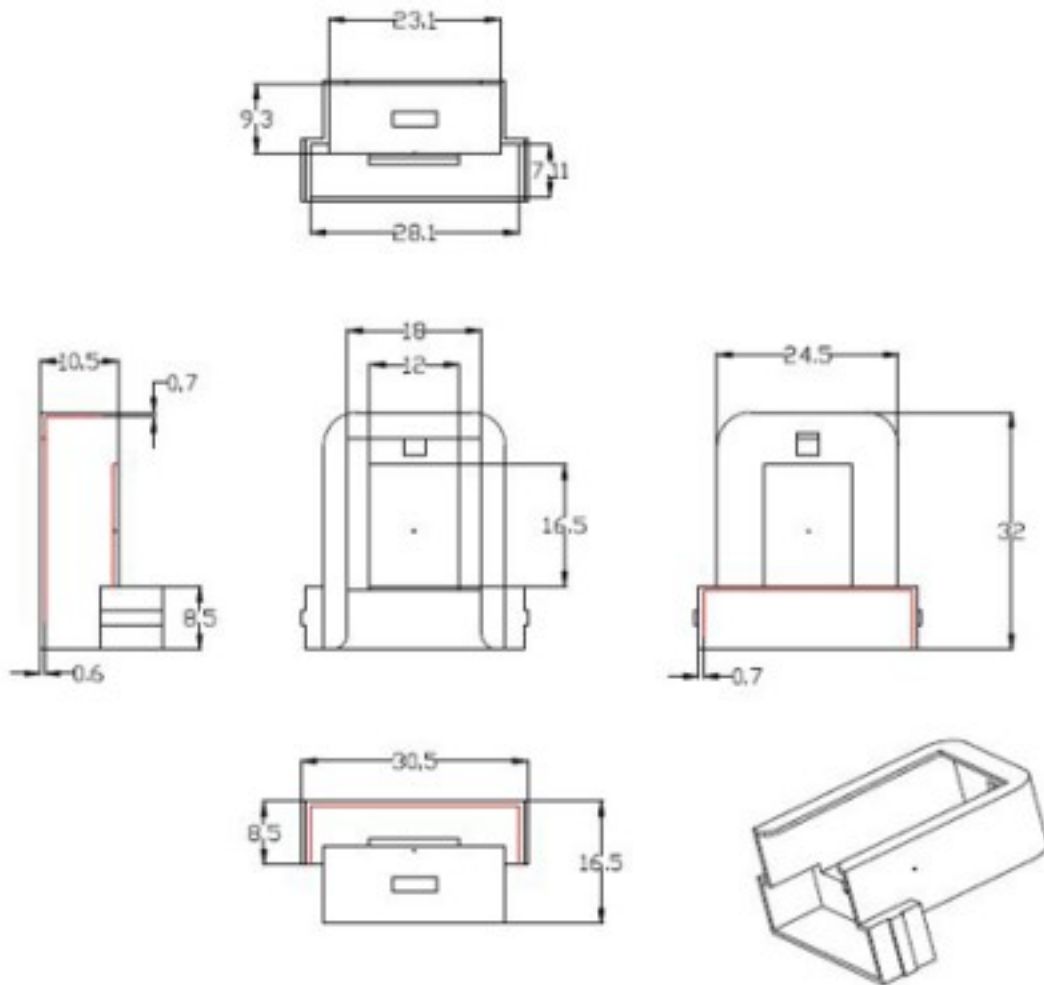
MM

DATE

2014.12.08

(TYPE)

031050351002002



**Self  
Electronic**

MODEL

EI-35 :

MATERIAL

PA66

TEL

021-66745473  
021-66716806

TOLERANCE

SCALE

DRAW BY

FAX

021-66742368

0 &lt; L ≤ 4 ±0.1

4 &lt; L ≤ 16 ±0.2

16 &lt; L ≤ 63 ±0.3

Pin pitch ±0.2

4/1

CHECK BY

WEBSITE

selfelectronic.com

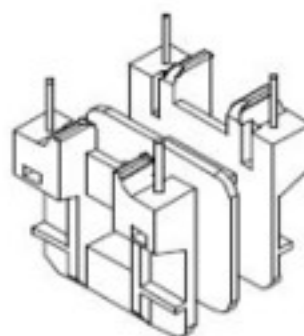
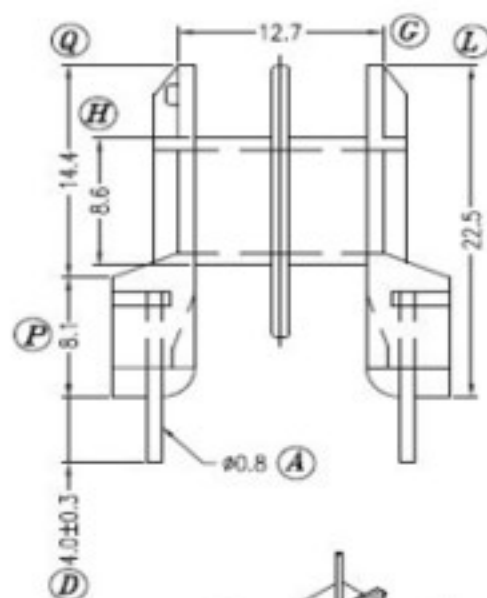
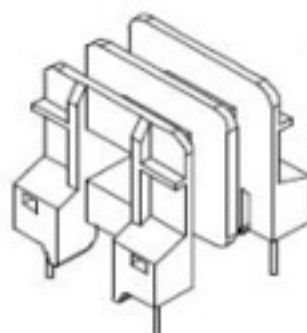
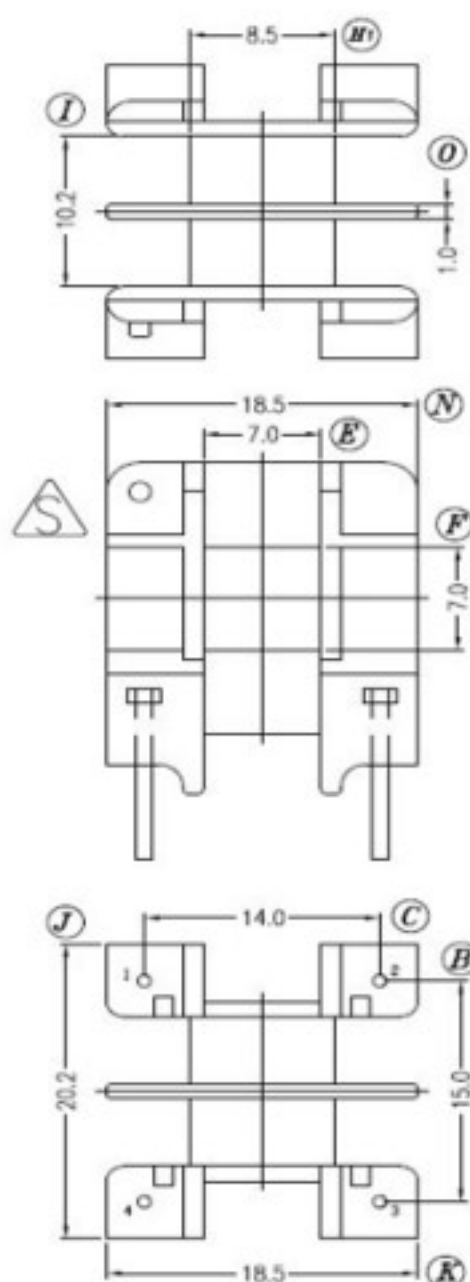
UNIT

MM

DATE

2014.12.08

(TYPE) 078050251042001

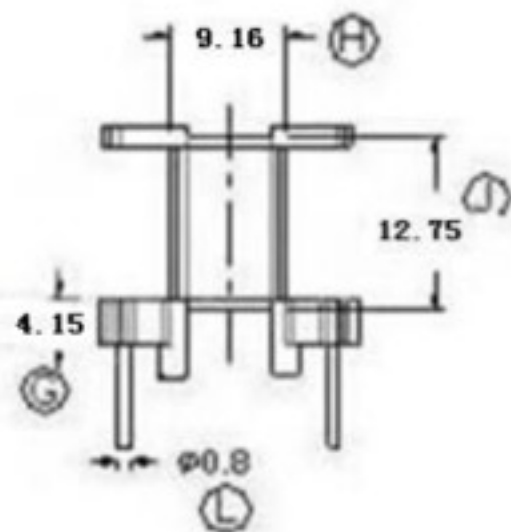
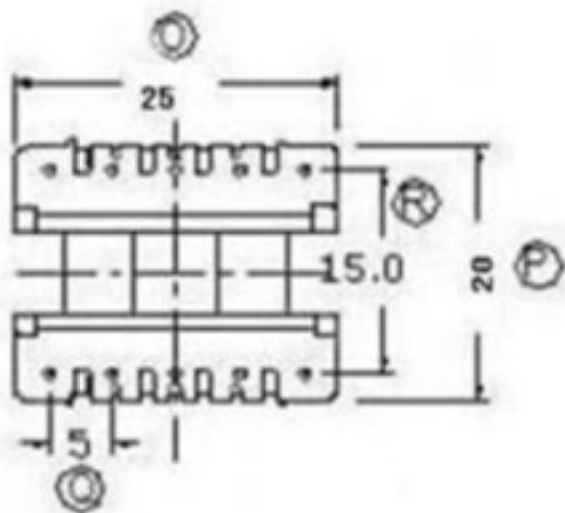
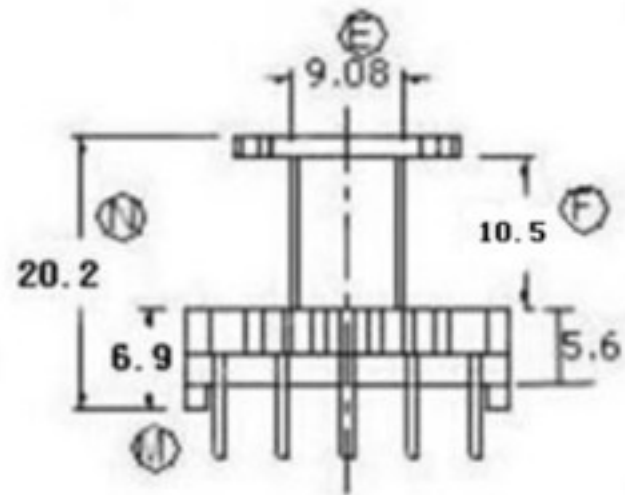
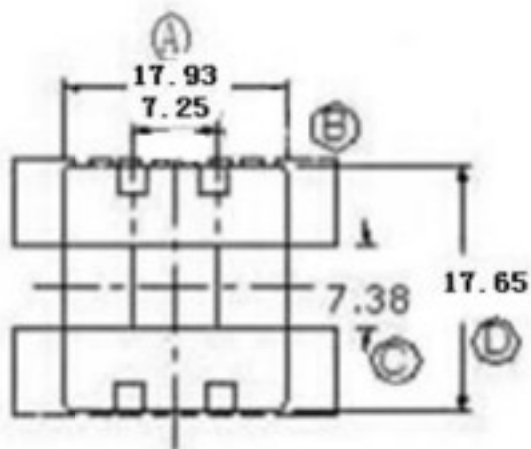


### Self Electronic

MODEL	E25/10/6	2+2
MATERIAL	PBT	
SCALE	DRAW BY	
4/1	CHECK BY	
UNIT	MM	DATE
		2014.12.12

TEL	021-66745473 021-66716806	TOLERANCE
FAX	021-66742368	0 < L ≤ 4 ±0.1 4 < L ≤ 16 ±0.2 16 < L ≤ 63 ±0.3 Pin pitch ±0.2
WEBSITE	selfelectronic.com	

(TYPE) 001050251100106



### Self Electronic

MODEL

E25/10/6

MATERIAL

PHENOLIC

TEL

021-66745473  
021-66716806

TOLERANCE

SCALE

DRAW BY

FAX

021-66742368

 $0 < L \leq 4 \quad \pm 0.1$   
 $4 < L \leq 16 \quad \pm 0.2$ 

4/1

CHECK BY

WEBSITE

selfelectronic.com

 $16 < L \leq 63 \quad \pm 0.3$   
 Pin pitch  $\pm 0.2$ 

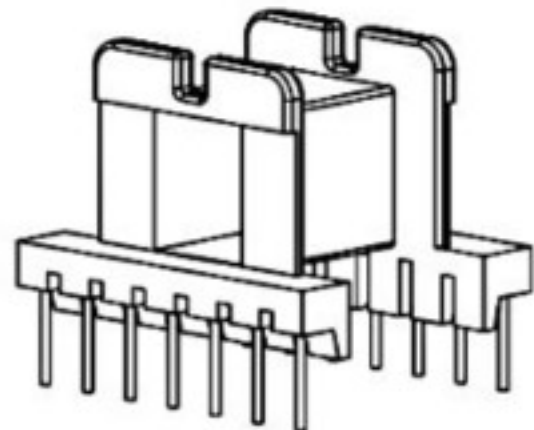
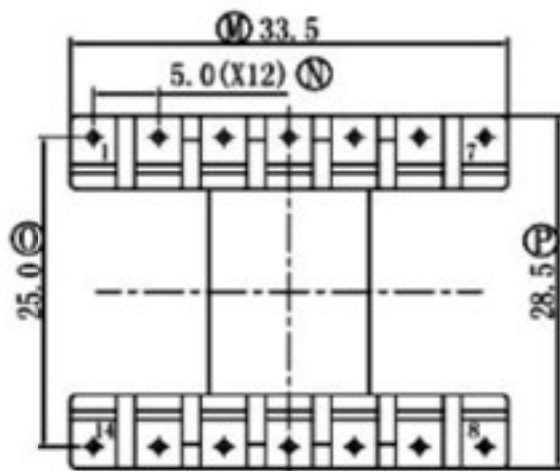
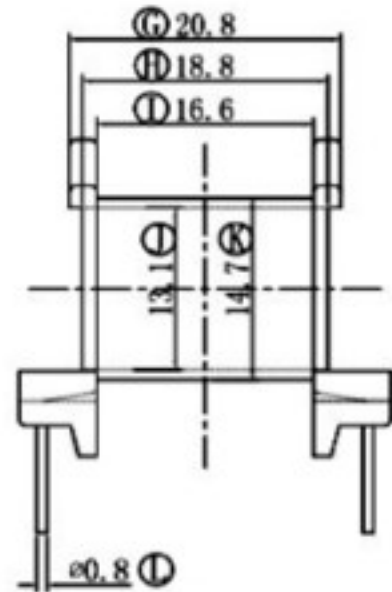
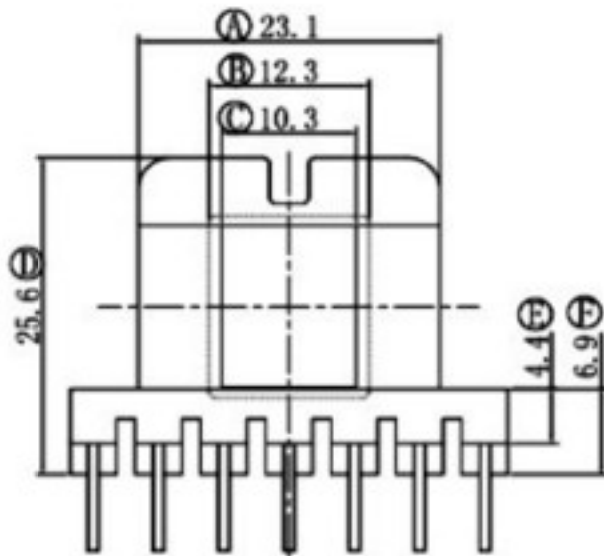
UNIT

MM

DATE

2014.12.12

(TYPE) 010050332091002



**Self  
Electronic**

MODEL E33 7+7

MATERIAL PHENOLIC

TEL 021-66745473  
021-66716806

TOLERANCE

SCALE DRAW BY

FAX 021-66742368

0 < L ≤ 4 ±0.1  
4 < L ≤ 16 ±0.2

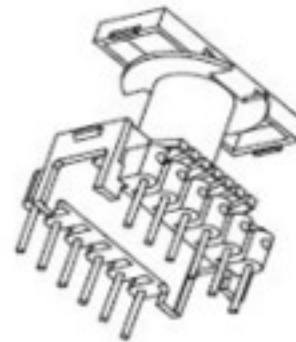
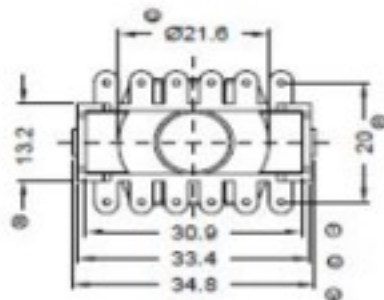
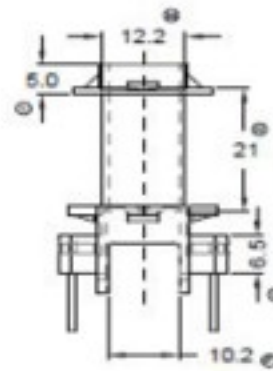
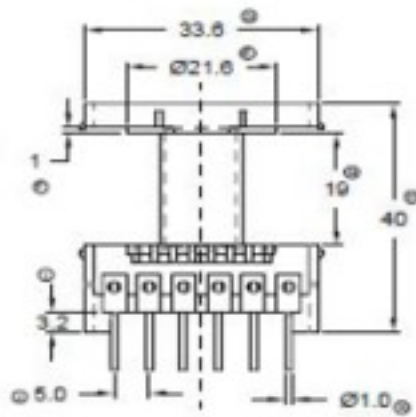
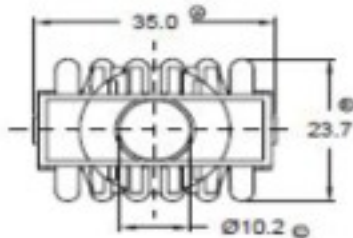
4/1 CHECK BY

WEBSITE selfelectronic.com

16 < L ≤ 63 ±0.3  
Pin pitch ±0.2

UNIT MM DATE 2014.12.12

(TYPE) 031140291121001



### Self Electronic

MODEL

ETD29 6+6

MATERIAL

PET

TEL

021-66745473  
021-66716806

TOLERANCE

SCALE

DRAW BY

FAX

021-66742368

0 <math>L \le 4</math>  $\pm 0.1$   
4 <math>L \le 16</math>  $\pm 0.2$ 

4/1

CHECK BY

WEBSITE

selfelectronic.com

16 <math>L \le 63</math>  $\pm 0.3$   
Pin pitch  $\pm 0.2$ 

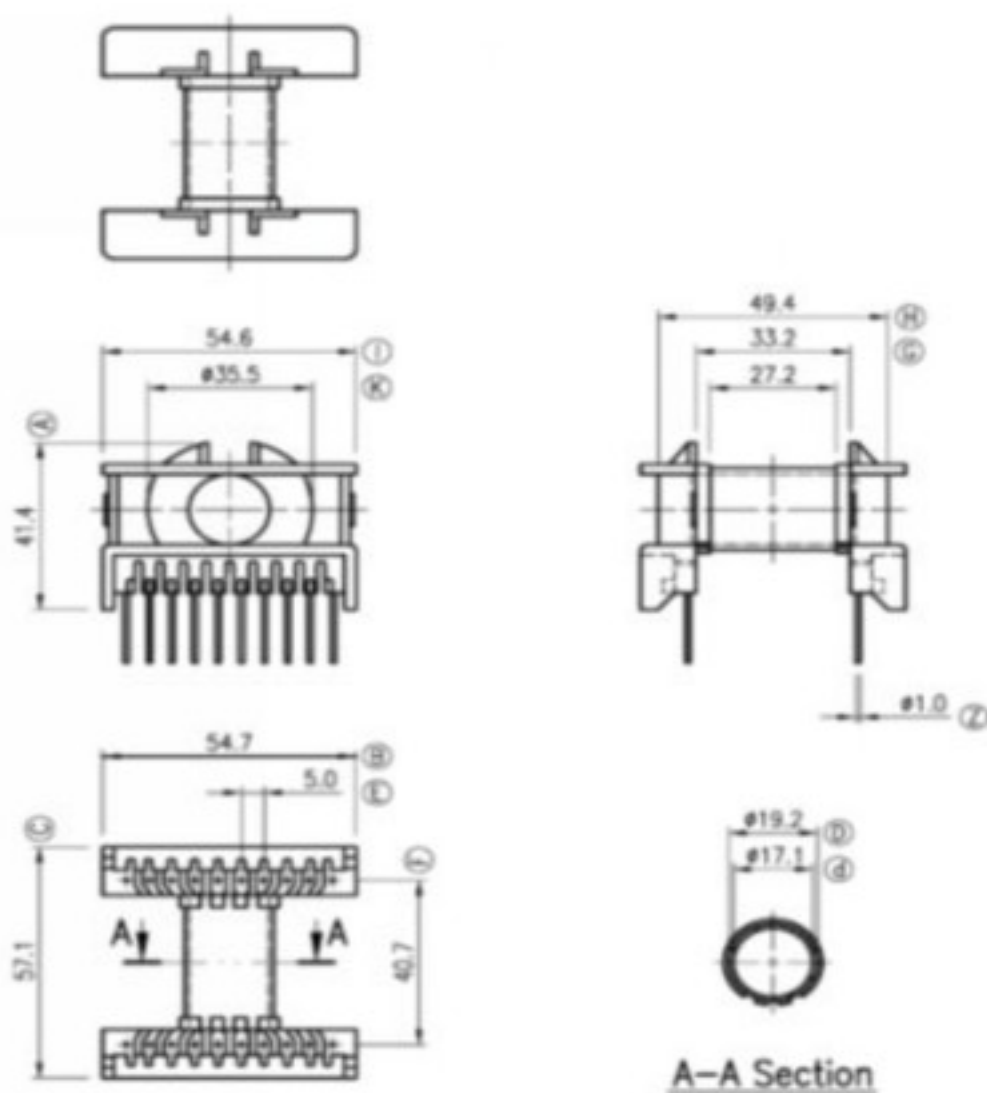
UNIT

MM

DATE

2014.12.19

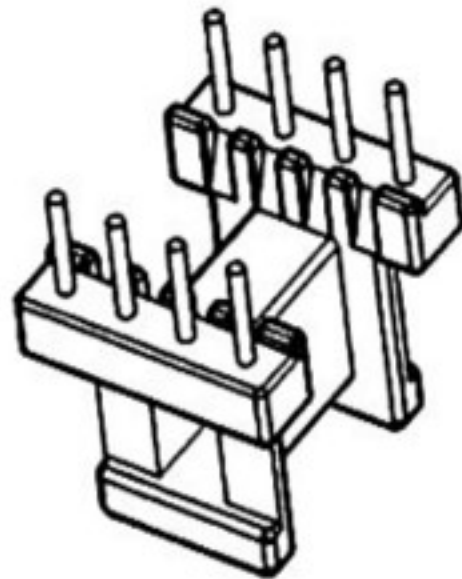
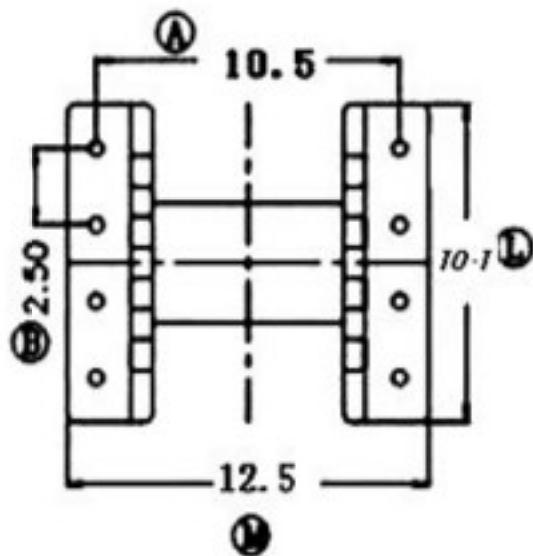
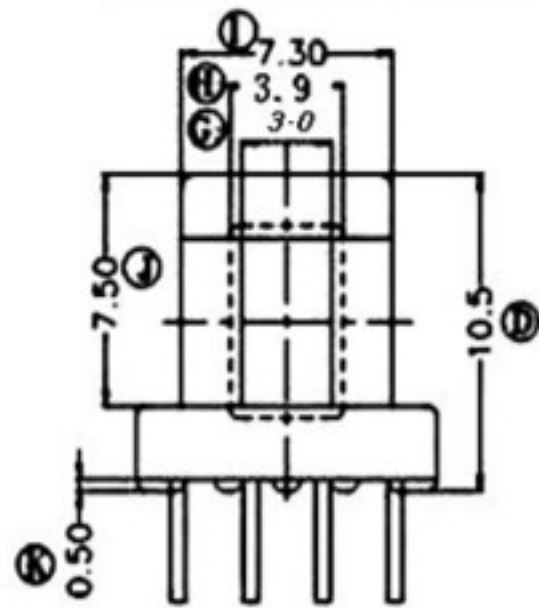
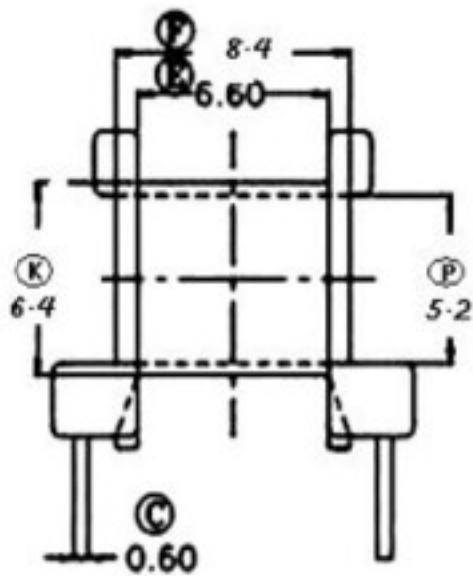
(TYPE) 010010492201001



A-A Section

<b>Self Electronic</b>			MODEL	EC49 . 10+10		
			MATERIAL	PHENOLIC UL-94V-0		
TEL	021-66745473 021-66716806	TOLERANCE	SCALE	DRAW BY		
FAX	021-66742368	0 < L ≤ 4 ±0.1 4 < L ≤ 16 ±0.2 16 < L ≤ 63 ±0.3 Pin pitch ±0.2	4/1	CHECK BY		
WEBSITE	selfelectronic.com		UNIT	MM	DATE	2014.12.19

(TYPE) 040050102081001



### Self Electronic

MODEL E10/5.5/5 4+4

MATERIAL PHENOLIC

TEL 021-66745473  
021-66716806

TOLERANCE

SCALE DRAW BY

FAX 021-66742368

 $0 < L \leq 4 \quad \pm 0.1$   
 $4 < L \leq 16 \quad \pm 0.2$ 

4/1

CHECK BY

WEBSITE selfelectronic.com

 $16 < L \leq 63 \quad \pm 0.3$   
 Pin pitch  $\pm 0.2$ 

UNIT MM DATE 2014.10.18